

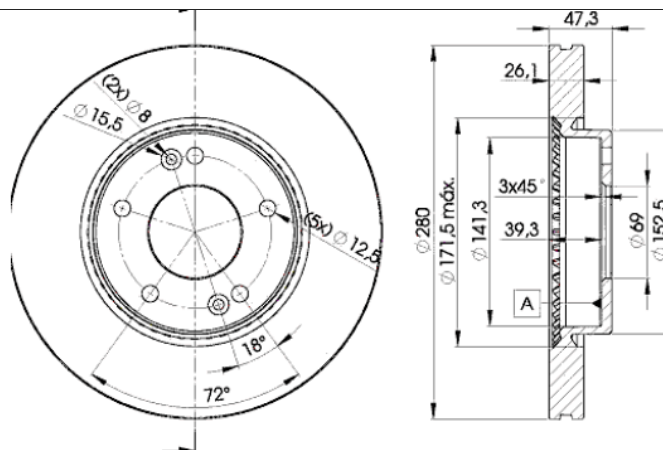
LISTA DE APLICACIONES - BUYERS GUIDE

78BD5171-2



Weight: 13.924

O.E.M.	MAKE
51712-1D100	HYUNDAI
51712-1F000	KIA
51712-1F300	KIA
51712-1H000	KIA
51712-2C000	KIA
51712-2E300	HYUNDAI
51712-3K050	KIA



78BD5171-2

E1 90R-02C0452/0078



Ø280x26x47.3

MAKE
HYUNDAI
JAC
KIA
KIA (DYK)



Trac.	CC	Kw	CV
-------	----	----	----



Front / Rear

HYUNDAI

COUPE II / TIBURON / TUSCANI (GK) 01.01-12.12

Coupe (Compact car-C Segment)

1.6 16V (G4ED)	Gasolina	FWD	1599	77	105	03.02-08.09	■
1.6 16V (G4ED)	Gasolina	FWD	1599	79	107	03.02-08.09	■
2.0 (G4GC)	Gasolina	FWD	1975	100	136	08.01-08.09	■
2.0 (G4GC-G)	Gasolina	FWD	1975	102	139	03.02-08.09	■
2.0 GLS (G4GC)	Gasolina	FWD	1975	105	143	02.03-08.09	■
2.7 V6 (G6BA)	Gasolina	FWD	2656	121	165	01.01-08.09	■
2.7 V6 (G6BA)	Gasolina	FWD	2656	123	167	03.02-08.09	■

i30 (FD) 10.07-06.12

Estate (Compact car-C Segment)

1.6 (G4FC)	Gasolina	FWD	1591	85	116	02.08-06.12	■
1.6 (G4FC)	Gasolina	FWD	1591	90	122	02.08-06.12	■
1.6 (G4FC)	Gasolina	FWD	1591	93	126	02.08-06.12	■
1.6 CRDI (D4FB)	Diesel	FWD	1582	66	90	02.08-06.12	■
1.6 CRDI (D4FB)	Diesel	FWD	1582	85	116	02.08-06.12	■

i30 (FD) 10.07-07.12

Hatchback (Compact car-C Segment)

1.4 (G4FA)	Gasolina	FWD	1396	77	105	10.07-11.11	■
1.4 (G4FA)	Gasolina	FWD	1396	80	109	10.07-11.11	■
1.6 (G4FC)	Gasolina	FWD	1591	85	116	10.07-11.11	■
1.6 (G4FC)	Gasolina	FWD	1591	90	122	10.07-11.11	■
1.6 (G4FC)	Gasolina	FWD	1591	93	126	02.08-11.11	■
1.6 CRDI (D4FB)	Diesel	FWD	1582	66	90	10.07-11.11	■
1.6 CRDI (D4FB)	Diesel	FWD	1582	85	116	10.07-11.11	■

LISTA DE APLICACIONES - BUYERS GUIDE

i30 II (GD) 05.13-					Coupe (Compact car-C Segment)			
1.4 (G4LC)		Gasolina	FWD	1368	74	101	12.14-	■
1.4 (G4FA)		Gasolina	FWD	1396	73	99	05.13-12.14	■
1.6 MPi (G4FC)		Gasolina	FWD	1591	88	120	05.13-	■
1.6 GDI (G4FD)		Gasolina	FWD	1591	99	135	05.13-	■
1.6 T-GDI (G4FJ)		Gasolina	FWD	1591	137	186	01.15-	■
1.4 CRDi (D4FC)		Diesel	FWD	1396	66	90	05.13-05.17	■
1.6 CRDI (D4FB)		Diesel	FWD	1582	81	110	05.13-	■
1.6 CRDI (D4FB)		Diesel	FWD	1582	94	128	05.13-	■
1.6 CRDI (D4FB)		Diesel	FWD	1582	100	136	12.14-	■
i30 II (GDE, GD) 06.12-					Estate Van (Compact car-C Segment)			
1.4 MPI (G4LC)		Gasolina	FWD	1368	74	101	05.15-05.17	■
1.6 GDI (G4FD)		Gasolina	FWD	1591	99	135	05.15-	■
1.6 CRDI (D4FB)		Diesel	FWD	1582	81	110	05.15-	■
i30 II (GD) 06.12-					Estate (Compact car-C Segment)			
1.4 (G4LC)		Gasolina	FWD	1368	74	101	01.14-05.17	■
1.4 (G4FA)		Gasolina	FWD	1396	73	99	06.12-12.15	■
1.6 (G4FC)		Gasolina	FWD	1591	88	120	06.12-	■
1.6 (G4FD)		Gasolina	FWD	1591	95	129	06.12-12.15	■
1.6 GDI (G4FD)		Gasolina	FWD	1591	99	135	06.12-	■
1.4 CRDi (D4FC)		Diesel	FWD	1396	66	90	06.12-05.17	■
1.6 CRDI (D4FB)		Diesel	FWD	1582	81	110	06.12-	■
1.6 CRDI (D4FB)		Diesel	FWD	1582	94	128	06.12-12.15	■
1.6 CRDI (D4FB)		Diesel	FWD	1582	100	136	06.12-	■
i30 II (GDE) 06.12-					Hatchback Van (Compact car-C Segment)			
1.4 MPI (G4LC)		Gasolina	FWD	1368	74	101	05.15-05.17	■
1.6 GDI (G4FD)		Gasolina	FWD	1591	99	135	05.15-	■
1.6 CRDI (D4FB)		Diesel	FWD	1582	81	110	05.15-	■
i30 II (GD) 06.11-					Hatchback (Compact car-C Segment)			
1.4 (G4LC)		Gasolina	FWD	1368	74	101	12.14-12.16	■
1.4 (G4FA)		Gasolina	FWD	1396	73	99	12.11-12.15	■
1.6 (G4FC)		Gasolina	FWD	1591	88	120	01.12-12.16	■
1.6 (G4FC)		Gasolina	FWD	1591	95	129	12.11-12.15	■
1.6 GDI (G4FD)		Gasolina	FWD	1591	99	135	12.11-12.16	■
1.6 GDI (G4FD)		Gasolina	FWD	1591	103	140	06.11-	■
1.6		Gasolina	FWD	1591	137	186	12.14-	■
1.6 T-GDI (G4FJ)		Gasolina	FWD	1591	137	186	01.15-	■
1.8		Gasolina	FWD	1797	107	146	08.13-	■
1.8 (G4NB)		Gasolina	FWD	1797	110	150	01.12-	■
2.0		Gasolina	FWD	1999	124	169	12.14-02.17	■
1.4 LPG (G4FA)		Gasol./Gas (LPG)	FWD	1396	73	99	01.13-12.14	■
1.4 CRDi (D4FC)		Diesel	FWD	1396	66	90	12.11-12.16	■
1.6 CRDI (D4FB)		Diesel	FWD	1582	81	110	12.11-12.16	■
1.6 CRDI (D4FB)		Diesel	FWD	1582	94	128	12.11-12.15	■
1.6 CRDI (D4FB)		Diesel	FWD	1582	100	136	11.11-12.16	■
ix20 (JC) 11.10-					Hatchback (Mini MPV-M1 Segment)			
1.4 (G4FA)		Gasolina	FWD	1396	74	100	11.10-07.19	■
1.4 LPG (G4FA)		Gasol./Gas (LPG)	FWD	1396	66	90	11.10-07.19	■

LISTA DE APLICACIONES - BUYERS GUIDE

1.6 LPG (G4FC)		Gasol./Gas (LPG)	FWD	1591	92	125	11.10-07.19	■	
SONATA V / EMBERA V (NF) 08.04-11.14					Saloon (Executive car-E Segment)				
2.4 (G4KC)	05/05-	Gasolina	FWD	2359	119	162	01.05-12.10	■	
TIBURON II 01.01-12.08					Coupe (Compact car-C Segment)				
2.0 CVVT (G4GC)		Gasolina	FWD	1975	105	143	10.06-12.08	■	
2.7 (G6BA)		Gasolina	FWD	2656	123	167	01.06-12.08	■	
TUCSON (JM) 06.04-03.10					SUV Van (Compact SUV-J Segment)				
CRDi		Diesel	FWD	1991	103	140	01.06-03.10	■	
CRDi VGT		Diesel	FWD	1991	110	150	01.09-03.10	■	
TUCSON (JM) 06.04-					SUV (Compact SUV-J Segment)				
2.0 (G4GC)		Gasolina	FWD	1975	104	141	08.04-12.10	■	
2.0 Alas 4 ruedas (G4GC)		Gasolina	4WD	1975	104	141	08.04-03.10	■	
2.0 (G4GC)		Gasolina	FWD	1975	105	143	01.07-01.12	■	
2.0 Alas 4 ruedas (G4GC)		Gasolina	4WD	1975	105	143	07.05-11.10	■	
2.0 Alas 4 ruedas		Gasolina	FWD	1997	100	136	07.07-11.10	■	
2.0 (G4NA)		Gasolina	FWD	1999	116	158	09.09-11.10	■	
2.4		Gasolina	FWD	2359	131	178	09.09-03.10	■	
2.7 A las 4 ruedas (G6BA)		Gasolina	4WD	2656	129	175	08.04-11.10	■	
2.0 CRDi (D4EA)		Diesel	FWD	1991	83	113	08.04-03.10	■	
2.0 CRDi A las 4 ruedas (D4EA)		Diesel	4WD	1991	83	113	08.04-03.10	■	
2.0 CRDi (D4EA)		Diesel	FWD	1991	88	120	01.07-03.10	■	
2.0 CRDi A las 4 ruedas (D4EA)		Diesel	4WD	1991	88	120	01.07-03.10	■	
2.0 CRDi (D4EA)		Diesel	FWD	1991	100	136	01.06-03.10	■	
2.0 CRDi A las 4 ruedas (D4EA)		Diesel	4WD	1991	100	136	01.06-03.10	■	
2.0 CRDi (D4EA)		Diesel	FWD	1991	103	140	01.06-03.10	■	
2.0 CRDi A las 4 ruedas (D4EA)		Diesel	4WD	1991	103	140	01.06-03.10	■	
2.0 CRDi		Diesel	RWD	1995	130	177	08.04-11.10	■	
JAC									
REFINE S5 03.13-					SUV (Compact SUV-J Segment)				
1.8 Turbo		Gasolina	FWD	1795	120	163	03.13-12.14	■	
2.0 Turbo		Gasolina	FWD	1997	130	177	03.13-12.15	■	
KIA									
CARENS II / RONDO II (UN) 05.06-					MPV (Compact MPV-M1 Segment)				
1.6 CVVT (G4FC)		Gasolina	FWD	1591	93	126	06.09-03.13	■	
1.6 CVVT (G4FC)		Gasolina	FWD	1591	97	132	08.09-03.13	■	
2.0 CVVT		Gasolina	FWD	1998	105	143	05.06-03.13	■	
2.0 CVVT (G4KA)		Gasolina	FWD	1998	111	151	01.09-12.13	■	
2.4 CVVT		Gasolina	FWD	2359	120	163	09.06-03.13	■	
2.4 CVVT		Gasolina	FWD	2359	130	177	09.09-12.12	■	
2.7		Gasolina	FWD	2656	136	185	09.06-12.08	■	
2.7		Gasolina	FWD	2656	143	194	09.08-03.13	■	
1.6 CRDi 110 (D4FB)		Diesel	FWD	1582	85	116	10.10-03.13	■	
1.6 CRDi 128 (D4FB)		Diesel	FWD	1582	94	128	10.10-03.13	■	
2.0 CRDi 115 (D4EA)		Diesel	FWD	1991	85	115	05.07-03.13	■	
2.0 CRDi 135 (D4EA)		Diesel	FWD	1991	100	136	08.09-03.13	■	
CEE'D (ED) 12.06-12.12					Hatchback (Compact car-C Segment)				
1.4 (G4FA)		Gasolina	FWD	1396	80	109	12.06-12.12	■	
1.6 (G4FC)	02/08-	Gasolina	FWD	1591	90	122	12.06-12.12	■	

LISTA DE APLICACIONES - BUYERS GUIDE

1.6 CRDi 90 (D4FB)		Diesel	FWD	1582	66	90	12.06-12.12	■	
1.6 CRDi 115 (D4FB)		Diesel	FWD	1582	85	115	12.06-12.12	■	
2.0 CRDi 140 (D4EA)		Diesel	FWD	1991	103	140	09.07-12.12	■	
CEE'D SW (ED) 07.07-12.12					Estate (Compact car-C Segment)				
1.4 (G4FA)		Gasolina	FWD	1396	80	109	09.07-12.12	■	
1.6 (G4FC)		Gasolina	FWD	1591	90	122	09.07-12.12	■	
2.0 (G4GC)		Gasolina	FWD	1975	105	143	09.07-12.12	■	
1.6 CRDi 115 (D4FB)		Diesel	FWD	1582	85	115	09.07-12.12	■	
2.0 CRDi 140 (D4EA)		Diesel	FWD	1991	100	136	07.07-12.12	■	
CERATO II / FORTE II / K3 II (TD) 01.09-					Hatchback (Compact car-C Segment)				
1.6 (G4FC)		Gasolina	FWD	1591	91	124	02.09-10.13	■	
MAGENTIS II / OPTIMA / LOTZE (MG) 10.05-					Saloon (Executive car-E Segment)				
1.8		Gasolina	FWD	1795	97	132	10.05-11.10	■	
2.0 (G4KA)		Gasolina	FWD	1998	106	144	11.05-12.10	■	
2.0 (G4KD)		Gasolina	FWD	1998	121	165	09.09-12.10	■	
2.4 (G4KC)		Gasolina	FWD	2359	119	162	08.06-12.09	■	
2.4		Gasolina	FWD	2359	120	163	11.05-12.08	■	
2.7 (G6EA)		Gasolina	FWD	2656	138	188	11.05-12.10	■	
2.7 V6 (G6EA)		Gasolina	FWD	2656	142	193	07.09-12.10	■	
2.0 BiFuel (G4KA)		Gasol./Gas (LPG)	FWD	1998	103	140	10.05-12.08	■	
2.0 CRDi (D4EA)		Diesel	FWD	1991	100	136	11.05-12.08	■	
2.0 CRDi (D4EA)		Diesel	FWD	1991	103	140	04.06-12.10	■	
2.0 CRDi (D4EA)		Diesel	FWD	1991	110	150	04.06-12.10	■	
PRO CEE'D (ED) 02.08-02.13					Hatchback (Compact car-C Segment)				
1.4 CVVT (G4FA)		Gasolina	FWD	1396	66	90	06.10-09.12	■	
1.4 (G4FA)		Gasolina	FWD	1396	80	109	02.08-09.12	■	
2.0 (G4GC)		Gasolina	FWD	1975	105	143	02.08-09.12	■	
2.0 LPG (G4GC)		Gasol./Gas (LPG)	FWD	1975	105	143	01.09-12.09	■	
1.6 CRDi 115 (D4FB)		Diesel	FWD	1582	85	115	02.08-09.12	■	
2.0 CRDi 140 (D4EA)		Diesel	FWD	1991	103	140	02.08-09.12	■	
SOUL (AM) 01.09-					Hatchback (Mini MPV-M1 Segment)				
2.0		Gasolina	FWD	1999	122	166	02.09-12.14	■	
1.6 Flex		Gasol./Etanol	FWD	1591	94	128	01.11-12.14	■	
SOUL II (PS) 02.14-					Hatchback (Mini MPV-M1 Segment)				
1.6 CVVT		Gasolina	FWD	1591	95	129	07.16-12.18	■	
1.6 CVVT Flex		Gasol./Etanol	FWD	1591	94	128	09.14-05.20	■	
SOUL III (SK3) 01.19-					Hatchback (Mini MPV-M1 Segment)				
1.6 MPi (G4FG)		Gasolina	FWD	1591	91	124	01.19-	■	
2.0 MPi (G4NA)		Gasolina	FWD	1999	110	150	01.19-	■	
2.0 MPi (G4NH)		Gasolina	FWD	1999	110	150	01.19-	■	
SPORTAGE II (JE_, KM_) 09.04-					SUV (Compact SUV-J Segment)				
2.0 16V 4WD (G4GC)		Gasolina	4WD	1975	104	141	09.04-08.10	■	
2.0 i 16V (G4GC)		Gasolina	FWD	1975	104	141	09.04-11.10	■	
2.0 (G4KD)		Gasolina	FWD	1998	122	166	01.09-05.10	■	
2.7 V6 4WD (G6BA)		Gasolina	4WD	2656	129	175	09.04-08.10	■	
2.0 CRDi (D4EA)		Diesel	FWD	1991	83	113	02.05-12.06	■	

LISTA DE APLICACIONES - BUYERS GUIDE

2.0 CRDi 4WD (D4EA)		Diesel	4WD	1991	83	113	09.04-12.06	■	
2.0 CRDi (D4EA)		Diesel	FWD	1991	103	140	01.06-10.08	■	
2.0 CRDi 4WD (D4EA)		Diesel	4WD	1991	103	140	01.06-10.08	■	
VENGA (YN) 02.10-					Hatchback Van (LCVs-N1 Segment)				
CVVT (G4FA)		Gasolina	FWD	1396	66	90	04.15-	■	
CVVT (G4FC)		Gasolina	FWD	1591	92	125	02.15-	■	
CRDi (D4FC)		Diesel	FWD	1396	57	77	04.15-	■	
CRDi (D4FC)		Diesel	FWD	1396	66	90	04.15-	■	
KIA (DYK)									
SPORTAGE II (JE) 10.07-					Closed Off-Road Vehicle (Compact SUV-J Segment)				
2.7		Gasolina	FWD	2656	129	175	11.07-	■	