

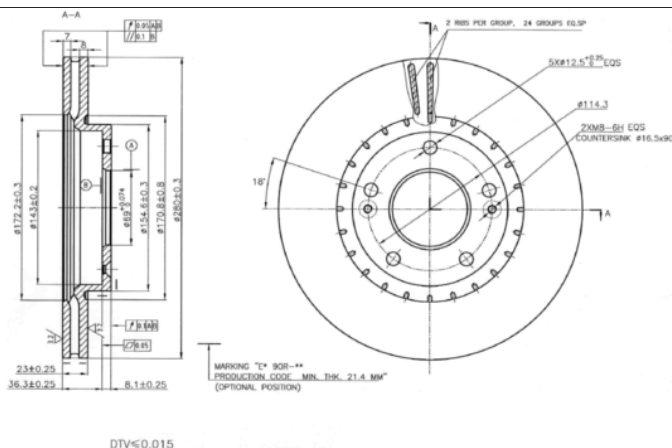
LISTA DE APLICACIONES - BUYERS GUIDE

78BD5182-2



Weight: 13.104

O.E.M.	MAKE
517122V000	HYUNDAI
517123X000	HYUNDAI
517123Y000	HYUNDAI
517124V000	BMW (BRILLIANCE)
51712A6000	HYUNDAI
51712A7000	KIA
51712M0000	HYUNDAI
S517122V000	HYUNDAI
S51712A6000E	KIA



78BD5182-2

E1 90R-02C0452/0118



Ø280x23x44.4

MAKE
HYUNDAI
HYUNDAI (BEIJING)
INOKOM
KIA
KIA (DYK)



Trac.	CC	Kw	CV		
					Front / Rear

HYUNDAI

CRETA II / ix25 II / CANTUS II (SU2_) 03.20-						SUV (Compact Crossover CUV-C Segment)			
1.6 MPi (SU2R)		Gasolina	FWD	1591	90	122	09.21-		■
2.0 MPi (SU2R)		Gasolina	FWD	1999	110	150	09.21-		■
ELANTRA IV / AVANTE (HD) 11.05-12.13						Saloon (Compact car-C Segment)			
1.6 CVVT		Gasolina	FWD	1591	89	121	01.06-12.13		■
ELANTRA V / AVANTE / i35 (JK) 09.12-						Coupe (Compact car-C Segment)			
1.6 (G4FG)	Rim 15	Gasolina	FWD	1591	96	130	12.14-		■
1.8	Rim 15	Gasolina	FWD	1797	108	147	09.12-		■
1.8	Rim 15	Gasolina	FWD	1797	110	150	09.12-		■
2.0	Rim 15	Gasolina	FWD	1999	129	175	09.13-12.15		■
ELANTRA V / AVANTE / i35 09.11-						Estate (Compact car-C Segment)			
2.0 (G4GC)		Gasolina	FWD	1975	103	140	09.11-		■
ELANTRA V / FLUIDIC ELANTRA (MD, UD) 09.10-						Saloon (Compact car-C Segment)			
1.6 LPG	Rim 15	Gasolina	FWD	1591	88	120	01.14-08.15		■
1.6 (G4FG)	Rim 15	Gasolina	FWD	1591	94	128	04.11-04.16		■
1.6 (G4FG)	Rim 15	Gasolina	FWD	1591	96	131	06.11-12.15		■
1.6 (G4FG)	Rim 15	Gasolina	FWD	1591	97	132	06.11-12.15		■
1.6	Rim 15	Gasolina	FWD	1591	103	140	06.11-08.15		■
1.8 (G4NB)		Gasolina	FWD	1797	108	147	09.10-12.16		■
1.8 (G4NB)	Rim 15	Gasolina	FWD	1797	110	150	09.10-12.16		■
2.0 (G4NA)	Rim 15	Gasolina	FWD	1999	124	169	10.14-08.15		■
2.0 (G4NC)	Rim 15	Gasolina	FWD	1999	129	175	09.13-08.15		■

LISTA DE APLICACIONES - BUYERS GUIDE

1.6 Hybrid (G4FG)	Rim 15	Gasol./el éc.	FWD	1591	84	114	09.10-08.15	■	
1.6 CRDI (D4FB)	Rim 15	Diesel	FWD	1582	94	128	02.11-12.15	■	
1.6 CRDI (D4FB)	Rim 15	Diesel	FWD	1582	100	136	10.15-	■	
ELANTRA VI / AVANTE (AD, ADA) 09.15-					Saloon (Compact car-C Segment)				
1.4	Rim 15	Gasolina	FWD	1353	95	129	06.16-	■	
1.6	Rim 15	Gasolina	FWD	1591	88	120	02.16-	■	
1.6	Rim 15	Gasolina	FWD	1591	94	128	02.16-12.20	■	
1.6	Rim 15	Gasolina	FWD	1591	97	132	09.15-12.20	■	
1.6 SR Turbo (G4FJ)	Rim 15	Gasolina	FWD	1591	150	204	02.16-12.20	■	
2.0 (G4NA)	Rim 15	Gasolina	FWD	1999	110	150	02.16-12.20	■	
2.0 (G4NH)	Rim 15	Gasolina	FWD	1999	110	150	02.16-12.20	■	
2.0 (G4NA)	Rim 15	Gasolina	FWD	1999	112	152	10.15-12.20	■	
2.0 MPi (G4NA)	Rim 15	Gasolina	FWD	1999	115	156	10.17-09.22	■	
1.6 D (D4FB)	Rim 15	Diesel	FWD	1582	100	136	02.16-12.20	■	
i30 II (GD) 05.13-					Coupe (Compact car-C Segment)				
1.4 (G4LC)	Rim 15	Gasolina	FWD	1368	74	101	12.14-	■	
1.4 (G4FA)	Rim 15	Gasolina	FWD	1396	73	99	05.13-12.14	■	
1.6 MPi (G4FC)	Rim 15	Gasolina	FWD	1591	88	120	05.13-	■	
1.6 MPi (G4FC)	Rim 15	Gasolina	FWD	1591	96	131	06.14-	■	
1.6 GDI (G4FD)	Rim 15	Gasolina	FWD	1591	99	135	05.13-	■	
1.6 T-GDI (G4FJ)	Rim 15	Gasolina	FWD	1591	137	186	01.15-	■	
1.4 CRDi (D4FC)	Rim 15	Diesel	FWD	1396	66	90	05.13-05.17	■	
1.6 CRDI (D4FB)	Rim 15	Diesel	FWD	1582	81	110	05.13-	■	
1.6 CRDI (D4FB)	Rim 15	Diesel	FWD	1582	94	128	05.13-	■	
1.6 CRDI (D4FB)	Rim 15	Diesel	FWD	1582	100	136	12.14-	■	
i30 II (GDE, GD) 06.12-					Estate Van (Compact car-C Segment)				
1.4 MPi (G4LC)	Rim 15	Gasolina	FWD	1368	74	101	05.15-05.17	■	
1.6 GDI (G4FD)	Rim 15	Gasolina	FWD	1591	99	135	05.15-	■	
1.6 CRDI (D4FB)	Rim 15	Diesel	FWD	1582	81	110	05.15-	■	
i30 II (GD) 06.12-					Estate (Compact car-C Segment)				
1.4 (G4LC)	Rim 15	Gasolina	FWD	1368	74	101	01.14-05.17	■	
1.4 (G4FA)	Rim 15	Gasolina	FWD	1396	73	99	06.12-12.15	■	
1.6 (G4FC)	Rim 15	Gasolina	FWD	1591	88	120	06.12-	■	
1.6 (G4FD)	Rim 15	Gasolina	FWD	1591	95	129	06.12-12.15	■	
1.6 GDI (G4FD)	Rim 15	Gasolina	FWD	1591	99	135	06.12-	■	
1.4 CRDi (D4FC)	Rim 15	Diesel	FWD	1396	66	90	06.12-05.17	■	
1.6 CRDI (D4FB)	Rim 15	Diesel	FWD	1582	81	110	06.12-	■	
1.6 CRDI (D4FB)	Rim 15	Diesel	FWD	1582	94	128	06.12-12.15	■	
1.6 CRDI (D4FB)	Rim 15	Diesel	FWD	1582	100	136	06.12-	■	
i30 II (GDE) 06.12-					Hatchback Van (Compact car-C Segment)				
1.4 MPi (G4LC)	Rim 15	Gasolina	FWD	1368	74	101	05.15-05.17	■	
1.6 CRDI (D4FB)	Rim 15	Diesel	FWD	1582	81	110	05.15-	■	
i30 II (GD) 06.11-					Hatchback (Compact car-C Segment)				
1.4 (G4LC)	Rim 15	Gasolina	FWD	1368	74	101	12.14-12.16	■	
1.4 (G4FA)	Rim 15	Gasolina	FWD	1396	73	99	12.11-12.15	■	
1.6 (G4FC)	Rim 15	Gasolina	FWD	1591	88	120	01.12-12.16	■	
1.6 (G4FC)	Rim 15	Gasolina	FWD	1591	95	129	12.11-12.15	■	
1.6 (G4FC)	Rim 15	Gasolina	FWD	1591	96	131	06.14-	■	

LISTA DE APLICACIONES - BUYERS GUIDE

1.6 GDI (G4FD)	Rim 15	Gasolina	FWD	1591	99	135	12.11-12.16	■
1.6 GDI (G4FD)	Rim 15	Gasolina	FWD	1591	103	140	06.11-	■
1.6 T-GDI (G4FJ)	Rim 15	Gasolina	FWD	1591	137	186	01.15-	■
1.8 (G4NB)		Gasolina	FWD	1797	110	150	01.12-	■
2.0	Rim 15	Gasolina	FWD	1999	124	169	12.14-02.17	■
1.4 LPG (G4FA)	Rim 15	Gasol./Gas (LPG)	FWD	1396	73	99	01.13-12.14	■
1.6 16V Flex (F4FC)	Rim 15	Gasol./Etanol	FWD	1591	94	128	11.11-12.16	■
1.4 CRDi (D4FC)	Rim 15	Diesel	FWD	1396	66	90	12.11-12.16	■
1.6 CRDi (D4FB)	Rim 15	Diesel	FWD	1582	81	110	12.11-12.16	■
1.6 CRDi (D4FB)	Rim 15	Diesel	FWD	1582	94	128	12.11-12.15	■
1.6 CRDi (D4FB)	Rim 15	Diesel	FWD	1582	100	136	11.11-12.16	■
i30 III (PDE, PD, PDEN) 11.16-						Hatchback (Compact car-C Segment)		
1.4 MPI	Rim 15	Gasolina	FWD	1368	73	99	11.16-	■
1.4 MPI (G4LC)	Rim 15	Gasolina	FWD	1368	74	100	11.16-12.20	■
i30 III CW (PDE) 03.17-						Estate (Compact car-C Segment)		
1.4 MPI (G4LC)	Rim 15	Gasolina	FWD	1368	73	100	05.17-	■
1.4 MPI	Rim 15	Gasolina	FWD	1368	74	101	03.17-12.20	■
KONA (OS, OSE, OSI) 06.17-						SUV Van (Subcompact SUV-B Segment)		
1.0 T-GDI (G3LC)		Gasolina	FWD	998	88	120	07.17-	■
1.6 GDI Hybrid (G4LE)		Gasol./eléc.	FWD	1580	104	141	06.19-	■
KONA (OS, OSE, OSI) 06.17-						SUV (Subcompact SUV-B Segment)		
1.0 T-GDI (G3LC)	Rim 15	Gasolina	FWD	998	88	120	07.17-04.23	■
1.6 T-GDI (G4FJ)		Gasolina	FWD	1591	130	177	07.17-12.20	■
1.6 T-GDi 4WD (G4FJ)		Gasolina	4WD	1591	130	177	06.17-03.23	■
1.6 T-GDI		Gasolina	FWD	1598	146	199	11.20-04.23	■
1.6 T-GDi 4WD		Gasolina	4WD	1598	146	199	11.20-04.23	■
2.0 MPi		Gasolina	FWD	1999	110	150	04.23-	■
1.0 T-GDI hybrid 48V		Gasol./eléc.	FWD	998	88	120	11.20-04.23	■
1.6 CRDi hybrid 48V		Diesel/eléc.	FWD	1598	100	136	11.20-08.21	■
1.6 CRDi Hybrid 48V 4WD		Diesel/eléc.	4WD	1598	100	136	11.20-08.21	■
1.6 CRDi e-VGT AWD (D4FB)	Rim 15, discØ 280	Diesel	4WD	1582	100	136	07.17-	■
1.6 CRDi (D4FE)	Rim 15	Diesel	FWD	1598	85	116	08.18-11.20	■
1.6 CRDi e-VGT (D4FE)	Rim 15	Diesel	FWD	1598	100	136	08.18-08.21	■
1.6 CRDi e-VGT AWD (D4FE)		Diesel	4WD	1598	100	136	08.18-08.21	■
VELOSTER (FS) 03.11-						Coupe (Supermini car-B Segment)		
1.6	Rim 15	Gasolina	FWD	1591	94	128	06.11-12.17	■
1.6 GDI (G4FD)	Rim 15	Gasolina	FWD	1591	95	129	10.11-12.17	■
1.6 MPi (G4FC)	Rim 15	Gasolina	FWD	1591	96	130	01.15-12.17	■
1.6 MPi (G4FC)	Rim 15	Gasolina	FWD	1591	97	132	04.11-12.17	■
1.6 GDI (G4FD)	Rim 15	Gasolina	FWD	1591	103	140	03.11-12.17	■
1.6 T-GDI	Rim 15	Gasolina	FWD	1591	150	204	08.12-12.17	■
VENUE (QX, QXI) 07.19-						SUV (Compact SUV-J Segment)		
T-GDi (QXI)		Gasolina	FWD	998	88	120	07.19-	■
MPi (QXI)		Gasolina	FWD	1197	61	83	07.19-	■
MPi (QX)		Gasolina	FWD	1591	90	122	07.19-	■
1.6 (QX)		Gasolina	FWD	1598	90	122	09.19-	■

LISTA DE APLICACIONES - BUYERS GUIDE

HYUNDAI (BEIJING)

ELANTRA II / LANGDONG (MD) 01.12-					Hatchback (Compact car-C Segment)			
1.6		Gasolina	FWD	1591	93	126	08.12-	■
1.8		Gasolina	FWD	1797	107	146	08.12-	■

INOKOM

ELANTRA (MD) 01.11-					Saloon ()			
1.8		Gasolina	FWD	1797	110	150	01.11-	■

KIA

CEE'D II (JD) 05.12-					Hatchback (Compact car-C Segment)			
1.0 T-GDI (G3LC)	Rim 15	Gasolina	FWD	998	74	100	07.15-07.18	■
1.0 T-GDI (G3LC)	Rim 15	Gasolina	FWD	998	88	120	07.15-07.18	■
1.4 MPI (G4LC)	Rim 15	Gasolina	FWD	1368	74	101	04.15-07.18	■
1.4 CVVT (G4FA)	Rim 15	Gasolina	FWD	1396	66	90	05.12-07.18	■
1.4 CVVT (G4FA)	Rim 15	Gasolina	FWD	1396	73	100	05.12-07.18	■
1.6 CVVT	Rim 15	Gasolina	FWD	1591	92	125	05.12-	■
1.6 CVVT (G4FC)	Rim 15	Gasolina	FWD	1591	95	130	01.13-07.18	■
1.6 CVVT (G4FC)	Rim 15	Gasolina	FWD	1591	96	131	11.14-07.18	■
1.6 GDI (G4FD)	Rim 15	Gasolina	FWD	1591	99	135	05.12-07.18	■
1.6 GT (G4FJ)		Gasolina	FWD	1591	150	204	06.13-07.18	■
1.4 LPG	Rim 15	Gasol./Gas (LPG)	FWD	1396	72	98	05.12-07.18	■
1.4 CRDi 90 (D4FC)	Rim 15	Diesel	FWD	1396	66	90	05.12-07.18	■
1.6 CRDi 110 (D4FB)	Rim 15	Diesel	FWD	1582	81	110	05.12-07.18	■
1.6 CRDi 128 (D4FB)	Rim 15	Diesel	FWD	1582	94	128	05.12-07.18	■
1.6 CRDi 136 (D4FB)	Rim 15	Diesel	FWD	1582	100	136	07.15-07.18	■

CEE'D II Combi Van (JD) 07.12-					Estate Van (Compact car-C Segment)			
1.0 T-GDI (G3LC)	Rim 15	Gasolina	FWD	998	74	101	04.15-07.18	■
1.0 T-GDI (G3LC)	Rim 15	Gasolina	FWD	998	88	120	04.15-07.18	■
1.4 CVVT (G4FA)	Rim 15	Gasolina	FWD	1396	73	100	04.15-07.18	■
1.6 GDI (G4FD)	Rim 15	Gasolina	FWD	1591	99	135	04.15-07.18	■
1.4 CRDi (D4FC)	Rim 15	Diesel	FWD	1396	66	90	04.15-07.18	■
1.6 CRDi (D4FB)	Rim 15	Diesel	FWD	1582	94	128	07.12-07.18	■

CEE'D II Sport Wagon (JD) 09.12-					Estate (Compact car-C Segment)			
1.0 T-GDI (G3LC)	Rim 15	Gasolina	FWD	998	74	100	07.15-07.18	■
1.0 T-GDI (G3LC)	Rim 15	Gasolina	FWD	998	88	120	07.15-07.18	■
1.4 MPI (G4LC)	Rim 15	Gasolina	FWD	1368	74	101	04.15-07.18	■
1.4 CVVT (G4FA)	Rim 15	Gasolina	FWD	1396	73	100	09.12-07.15	■
1.6 CVVT (G4FC)	Rim 15	Gasolina	FWD	1591	95	130	11.14-07.18	■
1.6 CVVT (G4FC)	Rim 15	Gasolina	FWD	1591	96	131	11.14-07.18	■
1.6 GDI (G4FD)	Rim 15	Gasolina	FWD	1591	99	135	09.12-07.18	■
1.4 LPG (G4FA)	Rim 15	Gasol./Gas (LPG)	FWD	1396	72	98	01.13-07.18	■
1.4 CRDi 90 (D4FC)	Rim 15	Diesel	FWD	1396	66	90	09.12-07.18	■
1.6 CRDi 110 (D4FB)	Rim 15	Diesel	FWD	1582	81	110	03.13-07.18	■
1.6 CRDi 128 (D4FB)	Rim 15	Diesel	FWD	1582	94	128	09.12-07.15	■
1.6 CRDi 136 (D4FB)	Rim 15	Diesel	FWD	1582	100	136	07.15-07.18	■

CEE'D III (CD) 03.18-					Hatchback (Compact car-C Segment)			
1.4 (G4LC)		Gasolina	FWD	1368	73	99	03.18-12.20	■
1.4 LPG (G4LC)		Gasol./Gas (LPG)	FWD	1368	71	97	12.18-12.20	■

LISTA DE APLICACIONES - BUYERS GUIDE

CEE'D III Sport Wagon (CD) 03.18-					Estate (Compact car-C Segment)			
1.4 (G4LC)		Gasolina	FWD	1368	73	99	04.18-12.20	■
1.4 LPG (G4LC)		Gasol./Gas (LPG)	FWD	1368	71	97	12.18-12.20	■
CERATO II KOUP / FORTE KOUP / K3 (TD) 01.09-					Coupe (Compact car-C Segment)			
1.6 CVVT (G4FJ)		Gasolina	FWD	1591	150	204	09.13-02.14	■
CERATO III / FORTE III / K3 (YD) 09.12-					Saloon (Compact car-C Segment)			
1.6 CVVT		Gasolina	FWD	1591	95	129	07.16-06.18	■
1.6 MPI (G4FG)		Gasolina	FWD	1591	96	130	06.13-05.17	■
2.0 MPI (G4KD)		Gasolina	FWD	1997	110	150	06.13-12.16	■
PRO CEE'D II (JD) 03.12-					Hatchback Van (Compact car-C Segment)			
1.0 T-GDI		Gasolina	FWD	998	88	120	05.15-07.18	■
1.4 MPI		Gasolina	FWD	1368	74	101	05.15-07.18	■
1.4 CVVT (G4FA)	Rim 15	Gasolina	FWD	1396	73	99	05.12-07.18	■
1.6 GDI (G4FD)	Rim 15	Gasolina	FWD	1591	99	135	04.15-07.18	■
1.4 CRDi (D4FC)	Rim 15	Diesel	FWD	1396	66	90	05.15-07.18	■
1.6 CRDi (D4FB)	Rim 15	Diesel	FWD	1582	94	128	10.12-07.18	■
1.6 CRDi		Diesel	FWD	1582	100	136	05.15-07.18	■
PRO CEE'D II (JD) 03.13-					Hatchback (Compact car-C Segment)			
1.0 T-GDI (G3LC)	Rim 15	Gasolina	FWD	998	74	100	07.15-07.18	■
1.0 T-GDI (G3LC)	Rim 15	Gasolina	FWD	998	88	120	07.15-07.18	■
1.4 MPI	Rim 15	Gasolina	FWD	1368	73	100	07.13-07.18	■
1.4 MPI (G4LC)	Rim 15	Gasolina	FWD	1368	74	101	04.15-07.18	■
1.4 CVVT (G4FA)	Rim 15	Gasolina	FWD	1396	73	100	03.13-07.15	■
1.4 CVVT (G4FA)	Rim 15	Gasolina	FWD	1396	74	101	07.13-07.18	■
1.6 CVVT (G4FC)	Rim 15	Gasolina	FWD	1591	95	130	03.13-07.18	■
1.6 GDI (G4FD)	Rim 15	Gasolina	FWD	1591	99	135	03.13-07.18	■
1.6 GT (G4FJ)		Gasolina	FWD	1591	150	204	06.13-07.18	■
1.4 CRDi 90 (D4FC)	Rim 15	Diesel	FWD	1396	66	90	03.13-07.18	■
1.6 CRDi 110 (D4FB)	Rim 15	Diesel	FWD	1582	81	110	03.13-07.18	■
1.6 CRDi 128 (D4FB)	Rim 15	Diesel	FWD	1582	94	128	03.13-07.15	■
1.6 CRDi 136 (D4FB)	Rim 15	Diesel	FWD	1582	100	136	07.15-07.18	■
SELTOS (SP2, SP2I) 08.19-					SUV (Compact SUV-J Segment)			
2.0 MPI (SP2) (G4NH)		Gasolina	FWD	1999	110	150	08.19-	■
SONET (QY) 09.20-					SUV (Compact SUV-J Segment)			
1.5 MPI		Gasolina	FWD	1497	85	115	11.20-	■
KIA (DYK)								
K3 10.12-					Saloon (Executive car-E Segment)			
1.6		Gasolina	FWD	1591	93	126	10.12-	■
1.8		Gasolina	FWD	1797	107	146	10.12-	■