

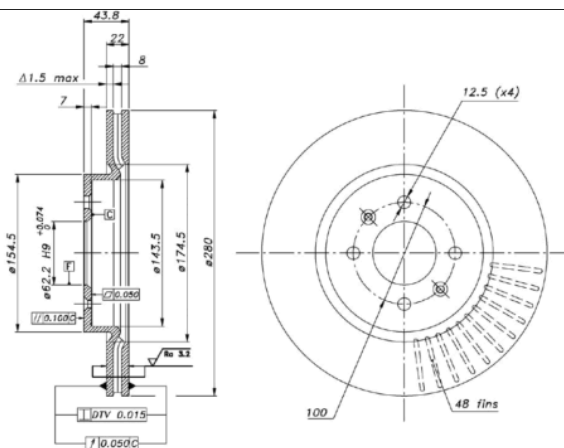
# LISTA DE APLICACIONES - BUYERS GUIDE

## 78BD5207-2



Weight: 12.000

O.E.M.	MAKE
51712C8500	HYUNDAI
51712C8600	HYUNDAI
51712H8580	KIA
51712Q0000	HYUNDAI



## 78BD5207-2



Ø280x22x43.8

MAKE
HYUNDAI
KIA



Trac.	CC	Kw	CV			Front / Rear
-------	----	----	----	--	--	--------------

### HYUNDAI

BAYON (BC3) 05.21-						SUV (Compact Crossover SUV-C Segment)			
1.0 T-GDI	Syst. 15	Gasolina	FWD	998	74	101	05.21-	■	
1.2 MPI	Syst. 15	Gasolina	FWD	1197	62	84	05.21-	■	
1.4 MPI	Syst. 14	Gasolina	FWD	1368	74	101	05.21-	■	
1.2 LPG		Gasol./Gas (LPG)	FWD	1197	62	84	05.23-	■	
1.0 T-GDI 48V-Hybrid	Syst. 15	Gasol./eléc.	FWD	998	74	101	05.21-	■	
1.0 T-GDI 48V-Hybrid	Syst. 15	Gasol./eléc.	FWD	998	88	120	05.21-	■	
i20 II (GB) 03.15-						Coupe (Supermini car-B Segment)			
1.0 T-GDI (G3LC)	Syst. 15	Gasolina	FWD	998	74	101	01.16-09.21	■	
1.0 T-GDI (G3LC)	Syst. 15	Gasolina	FWD	998	88	120	01.16-09.21	■	
1.2 (G4LA)	Syst. 15	Gasolina	FWD	1248	62	84	05.15-09.21	■	
1.4 (G4LC)	Syst. 15	Gasolina	FWD	1368	74	100	05.15-09.21	■	
1.1 CRDi (D3FA)	Syst. 15	Diesel	FWD	1120	55	75	05.15-09.21	■	
1.4 CRDi (D4FC)	Syst. 15	Diesel	FWD	1396	66	90	05.15-09.21	■	
i20 II (GB, IB) 11.14-						Hatchback (Supermini car-B Segment)			
1.0 T-GDI (G3LC)	Syst. 15	Gasolina	FWD	998	74	101	01.16-08.20	■	
1.0 T-GDI (G3LC)	Syst. 15	Gasolina	FWD	998	88	120	01.16-08.20	■	
1.2 (G4LA)	Syst. 15	Gasolina	FWD	1248	62	84	11.14-08.20	■	
1.4 (G4LC)	Syst. 15	Gasolina	FWD	1368	74	100	11.14-06.18	■	
Mpi (G4LC)	Syst. 15	Gasolina	FWD	1368	85	116	11.14-05.18	■	
1.2 LPGI (G4LA)	Syst. 15	Gasol./Gas (LPG)	FWD	1248	61	83	11.14-06.19	■	

# LISTA DE APLICACIONES - BUYERS GUIDE

1.1 CRDi (D3FA)	Syst. 15	Diesel	FWD	1120	55	75	11.14-06.18	■	
1.4 CRDi (D4FC)		Diesel	FWD	1396	55	75	01.18-	■	
1.4 CRDi (D4FC)	Syst. 15	Diesel	FWD	1396	66	90	11.14-06.18	■	
<b>i20 II ACTIVE (IB, GB) 09.15-</b>							<b>Hatchback (Subcompact SUV-B Segment)</b>		
1.0 T-GDI (G3LC)	Syst. 15	Gasolina	FWD	998	74	101	09.15-06.18	■	
1.0 T-GDI (G3LC)	Syst. 15	Gasolina	FWD	998	88	120	09.15-06.18	■	
1.4 CVVT (G4LC)	Syst. 15	Gasolina	FWD	1368	74	101	09.15-06.18	■	
1.4 CRDi (D4FC)	Syst. 15	Diesel	FWD	1396	66	90	09.15-06.18	■	
<b>i20 II Van (GB, IB) 11.14-</b>							<b>Hatchback Van (Supermini car-B Segment)</b>		
1.0 T-GDI (G3LC)	Syst. 15	Gasolina	FWD	998	74	101	01.16-09.21	■	
1.4 MPI (G4LC)	Syst. 15	Gasolina	FWD	1368	74	101	05.15-09.21	■	
1.1 CRDi (D3FA)	Syst. 15	Diesel	FWD	1120	55	75	05.15-09.21	■	
1.4 CRDi (D4FC)	Syst. 15	Diesel	FWD	1396	66	90	05.15-09.21	■	
<b>i20 III (BC3, B13) 08.20-</b>							<b>Hatchback (Supermini car-B Segment)</b>		
1.0 T-GDI (G3LE)	Syst. 15	Gasolina	FWD	998	74	101	08.20-	■	
1.2 (G4LF)		Gasolina	FWD	1197	62	84	08.20-	■	
1.4 MPI	Syst. 14	Gasolina	FWD	1368	74	101	05.21-	■	
1.0 T-GDI hybrid 48V (G3LE)	Syst. 15	Gasol./el éc.	FWD	998	74	101	08.20-	■	
1.0 T-GDI hybrid 48V (G3LE)	Syst. 15	Gasol./el éc.	FWD	998	88	120	08.20-	■	
<b>KIA</b>									
<b>RIO IV (YB, SC, FB) 01.17-</b>							<b>Hatchback (Supermini car-B Segment)</b>		
1.0 T-GDI 100 (G3LC)		Gasolina	FWD	998	74	101	01.17-	■	
1.0 T-GDI 100 (G3LE)		Gasolina	FWD	998	74	101	01.17-	■	
1.0 T-GDI 120 (G3LC)		Gasolina	FWD	998	88	120	01.17-	■	
1.2 CVVT		Gasolina	FWD	1197	62	84	05.20-	■	
1.25 (G4LA)	Syst. 15	Gasolina	FWD	1248	62	84	01.17-	■	
1.4 (G4LC)	Syst. 15	Gasolina	FWD	1368	73	99	01.17-	■	
1.4 (G4LC)	Syst. 15	Gasolina	FWD	1368	74	101	01.17-	■	
1.6		Gasolina	FWD	1591	89	121	01.17-	■	
1.6 (G4FG)		Gasolina	FWD	1591	90	123	01.17-	■	
1.6		Gasolina	FWD	1591	96	130	10.17-	■	
LPG	Syst. 15	Gasol./Gas (LPG)	FWD	1197	60	82	05.20-	■	
1.25 LPG (G4LA)	Syst. 15	Gasol./Gas (LPG)	FWD	1248	60	82	05.19-	■	
1.0 T-GDI 100 Eco-Dynamics+		Gasol./el éc.	FWD	998	74	101	08.20-04.23	■	
1.0 T-GDI 120 Eco-Dynamics+ (G3LF)	Syst. 15	Gasol./el éc.	FWD	998	88	120	08.20-04.23	■	
1.4 CRDi 77 (D4FC)		Diesel	FWD	1396	57	78	01.17-	■	
1.4 CRDi 90 (D4FC)		Diesel	FWD	1396	66	90	01.17-	■	
<b>RIO IV Van (YB, SC, FB) 01.17-</b>							<b>Hatchback Van (Supermini car-B Segment)</b>		
1.0 T-GDI 100 (G3LC)		Gasolina	FWD	998	74	101	01.17-	■	
1.0 T-GDI 120 (G3LC)		Gasolina	FWD	998	88	120	01.17-	■	
<b>STONIC (YB) 07.17-</b>							<b>Hatchback (Subcompact SUV-B Segment)</b>		
1.0 T-GDI (G3LC)		Gasolina	FWD	998	74	101	08.18-	■	
1.0 T-GDI (G3LC)		Gasolina	FWD	998	88	120	07.17-	■	
1.2 CVVT		Gasolina	FWD	1197	62	84	11.21-12.25	■	
1.2 CVVT (G4LA)		Gasolina	FWD	1248	62	84	07.17-12.25	■	

## LISTA DE APLICACIONES - BUYERS GUIDE

1.4 CVVT (G4LC)		Gasolina	FWD	1368	73	99	07.17-12.25	■	
1.0 T-GDi LPG		Gasol./Gas (LPG)	FWD	998	70	95	01.23-	■	
1.2 LPG		Gasol./Gas (LPG)	FWD	1197	60	82	01.23-12.25	■	
1.4 LPG (G4LC)		Gasol./Gas (LPG)	FWD	1368	71	97	11.18-12.25	■	
1.0 T-GDi Eco-Dynamics+		Gasol./eléc.	FWD	998	74	101	01.21-	■	
1.0 T-GDi Eco-Dynamics+ (G3LC)		Gasol./eléc.	FWD	998	88	120	07.20-	■	
1.6 CRDI (D4FB)		Diesel	FWD	1582	81	110	07.17-12.25	■	
1.6 CRDI (D4FE)		Diesel	FWD	1598	85	116	08.18-12.25	■	
1.6 CRDI (D4FE)		Diesel	FWD	1598	100	136	08.18-12.25	■	
<b>STONIC Van (YB) 07.17-</b>						<b>Hatchback Van (Subcompact SUV-B Segment)</b>			
1.0 T-GDI (G3LC)		Gasolina	FWD	998	74	101	08.18-	■	
1.0 T-GDI (G3LC)		Gasolina	FWD	998	88	120	07.17-	■	
1.6 CRDI (D4FE)		Diesel	FWD	1598	85	116	08.18-	■	