

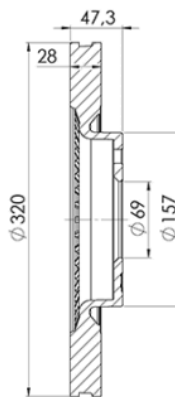
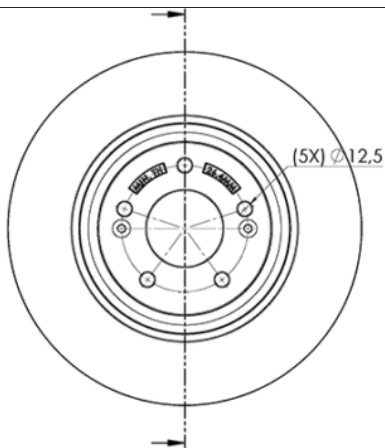
LISTA DE APLICACIONES - BUYERS GUIDE

78BD5271-2



Weight: 18.608

O.E.M.	MAKE
4615A230	mitsubishi
51712-2T000	KIA
51712-2T100	KIA
51712-4C000	HYUNDAI



78BD5271-2

E1 90R-02C0452/0130



Ø320x28x47.3

MAKE
HYUNDAI
KIA
MITSUBISHI



Trac.	CC	Kw	CV
-------	----	----	----



Front / Rear

HYUNDAI

GRANDEUR V / AZERA V (HG) 01.11-						Saloon (Executive car-E Segment)		
2.4 GDI		Gasolina	FWD	2359	140	190	02.11-04.16	■
2.4 16V (G4KE)		Gasolina	FWD	2359	148	201	01.11-10.16	■
3.0 GDi (G6DG)		Gasolina	FWD	2999	195	265	12.11-	■
3.0 (G6DG)		Gasolina	FWD	2999	199	271	02.11-10.16	■
2.2 D		Diesel	FWD	2199	149	203	09.14-10.16	■
GRANDEUR VI / AZERA VI (IG) 11.16-						Saloon (Executive car-E Segment)		
2.4 GDI (G4KJ)		Gasolina	FWD	2359	140	190	11.16-	■
3.0 MPI (G6DE)		Gasolina	FWD	2999	184	250	10.17-	■
3.0 GDi (G6DL)		Gasolina	FWD	2999	192	261	11.16-	■
3.0 GDi		Gasolina	FWD	2999	196	266	11.16-	■
3.0 LPG		Gasol./Gas (LPG)	FWD	2999	173	235	11.16-	■
2.4 Hybrid		Gasol./eléc.	FWD	2359	147	200	04.17-	■
2.2 CRDi		Diesel	FWD	2199	149	203	11.16-	■
i20 III (BC3, B13) 08.20-						Hatchback (Supermini car-B Segment)		
1.6 T-GDi N		Gasolina	FWD	1598	150	204	11.20-	■
i40 (VF) 07.11-						Estate Van (Large family car-D Segment)		
1.7 CRDi (D4FD)	Rim 17, Rim 18	Diesel	FWD	1685	85	116	05.15-05.19	■
i40 (VF) 03.12-						Saloon (Large family car-D Segment)		
1.6 GDI (G4FD)	Rim 17, Rim 18	Gasolina	FWD	1591	99	135	03.12-05.19	■
2.0 GDI (G4NC)	Rim 17, Rim 18	Gasolina	FWD	1999	121	165	12.14-05.19	■

# LISTA DE APLICACIONES - BUYERS GUIDE

2.0 GDI	Rim 17, Rim 18	Gasolina	FWD	1999	122	166	03.12-05.19	■	
2.0 GDI (G4NC)	Rim 17, Rim 18	Gasolina	FWD	1999	131	178	03.12-05.19	■	
1.7 CRDi (D4FD)	Rim 17, Rim 18	Diesel	FWD	1685	85	116	03.12-05.19	■	
1.7 CRDi (D4FD)	Rim 17, Rim 18	Diesel	FWD	1685	100	136	03.12-05.19	■	
1.7 CRDi (D4FD)	Rim 17, Rim 18	Diesel	FWD	1685	103	140	10.12-05.19	■	
1.7 CRDi (D4FD)	Rim 17, Rim 18	Diesel	FWD	1685	104	141	01.15-05.19	■	
<b>i40 I CW (VF) 07.11-</b>					<b>Estate (Large family car-D Segment)</b>				
1.6 GDI (G4FD)	Rim 17, Rim 18	Gasolina	FWD	1591	99	135	07.11-05.19	■	
2.0 GDI (G4NC)	Rim 17, Rim 18	Gasolina	FWD	1999	121	165	12.14-05.19	■	
2.0 GDI (G4NC)		Gasolina	FWD	1999	130	177	07.11-05.19	■	
1.7 CRDi (D4FD)	Rim 17, Rim 18	Diesel	FWD	1685	85	116	07.11-05.19	■	
1.7 CRDi (D4FD)	Rim 17, Rim 18	Diesel	FWD	1685	100	136	07.11-05.19	■	
1.7 CRDi (D4FD)	Rim 17, Rim 18	Diesel	FWD	1685	103	140	03.12-05.19	■	
<b>ix35 / TUCSON II (LM, EL, ELH) 08.09-</b>					<b>SUV (Compact SUV-J Segment)</b>				
FCEV		Hidrógeno	FWD		53	72	10.12-	■	
Fuel Cell		Hidrógeno	FWD		100	136	09.14-12.15	■	
2.0 4WD (G4NA)		Gasolina	4WD	1999	113	154	09.14-12.15	■	
2.0 (G4NA)		Gasolina	FWD	1999	114	155	11.13-12.15	■	
2.0 AWD (G4NA)		Gasolina	4WD	1999	114	155	11.13-12.15	■	
2.0 4WD (G4NA)		Gasolina	4WD	1999	116	158	09.14-06.15	■	
2.4 GDI		Gasolina	FWD	2359	136	185	09.13-12.15	■	
2.4 GDI 4WD		Gasolina	4WD	2359	136	185	01.13-12.15	■	
<b>KONA (OS, OSE, OSI) 06.17-</b>					<b>SUV Van (Subcompact SUV-B Segment)</b>				
1.6 GDI Hybrid (G4LE)		Gasol./el éc.	FWD	1580	104	141	06.19-	■	
<b>KONA (OS, OSE, OSI) 06.17-</b>					<b>SUV (Subcompact SUV-B Segment)</b>				
1.6 T-GDI (G4FJ)		Gasolina	FWD	1591	130	177	07.17-12.20	■	
1.6 T-GDi 4WD (G4FJ)		Gasolina	4WD	1591	130	177	06.17-03.23	■	
1.6 T-GDI		Gasolina	FWD	1598	146	199	11.20-04.23	■	
1.6 T-GDi 4WD		Gasolina	4WD	1598	146	199	11.20-04.23	■	
1.6 CRDi hybrid 48V		Diesel/el éc.	FWD	1598	100	136	11.20-08.21	■	
1.6 CRDi Hybrid 48V 4WD		Diesel/el éc.	4WD	1598	100	136	11.20-08.21	■	
1.6 CRDi e-VGT AWD (D4FE)		Diesel	4WD	1598	100	136	08.18-08.21	■	
<b>NEXO (FE) 03.18-</b>					<b>SUV (Compact SUV-J Segment)</b>				
FCEV (FM12)		Hidrógeno	FWD		120	163	03.18-	■	
<b>SONATA VI / i45 VI (YF) 06.09-12.15</b>					<b>Saloon (Executive car-E Segment)</b>				
2.0 (G4KD)		Gasolina	FWD	1998	110	150	06.09-06.14	■	
2.0 i (G4KD)		Gasolina	FWD	1998	120	163	09.12-06.14	■	
2.0 i (G4KD)		Gasolina	FWD	1998	121	165	01.11-06.14	■	
2.0 (G4NA)		Gasolina	FWD	1999	115	157	09.10-12.15	■	
2.0 (G4NA)		Gasolina	FWD	1999	126	172	10.12-06.14	■	
2.4 (G4KC)		Gasolina	FWD	2359	128	174	06.09-11.10	■	
2.4 (G4KC)		Gasolina	FWD	2359	130	177	01.10-12.15	■	
2.4 (G4KC)		Gasolina	FWD	2359	131	178	11.10-12.15	■	
2.4 (G4KJ)		Gasolina	FWD	2359	142	193	09.11-12.14	■	
2.0 Hybrid (G4NA)		Gasol./el éc.	FWD	1999	110	150	01.11-06.14	■	

# LISTA DE APLICACIONES - BUYERS GUIDE

<b>SONATA VII (LF) 03.14-06.23</b>					<b>Saloon (Executive car-E Segment)</b>			
2.0 (G4KH)		Gasolina	FWD	1998	180	245	09.14-12.19	■
2.0 CVVT (G4NA)		Gasolina	FWD	1999	110	150	11.14-12.19	■
2.0		Gasolina	FWD	1999	113	154	06.14-12.19	■
2.0		Gasolina	FWD	1999	114	155	06.14-12.19	■
2.0 MPi (G4NA)		Gasolina	FWD	1999	115	157	06.14-12.19	■
2.4		Gasolina	FWD	2359	126	171	03.17-12.19	■
2.4 (G4KE)		Gasolina	FWD	2359	131	178	12.14-12.19	■
2.4 (G4KJ)		Gasolina	FWD	2359	138	188	09.14-12.19	■
2.4 GDI (G4KJ)		Gasolina	FWD	2359	142	193	09.14-12.19	■
<b>KIA</b>								
<b>CADENZA / K7 (VG) 01.10-</b>					<b>Saloon (Executive car-E Segment)</b>			
2.4		Gasolina	FWD	2359	127	173	06.13-12.17	■
2.4 (G4KC)		Gasolina	FWD	2359	132	180	01.10-12.15	■
2.4 (G4KE)		Gasolina	FWD	2359	132	180	01.10-12.15	■
2.4		Gasolina	FWD	2359	148	201	01.10-12.15	■
2.7		Gasolina	FWD	2656	147	200	01.10-12.15	■
3.0 GDi (L6DB)		Gasolina	FWD	2999	175	238	01.10-12.15	■
3.0 GDi		Gasolina	FWD	2999	199	271	01.10-12.15	■
3.3 GDI		Gasolina	FWD	3342	216	294	01.10-12.15	■
3.3 GDI (G6DH)		Gasolina	FWD	3342	218	296	09.13-12.15	■
3.5 CVVT (G6DC)		Gasolina	FWD	3470	213	290	01.10-12.15	■
2.4 700h (G4KK)		Gasol./el éc.	FWD	2359	147	200	06.13-12.15	■
<b>CADENZA II / K7 (YG) 01.16-</b>					<b>Saloon (Executive car-E Segment)</b>			
2.4 GDI (G4KJ)		Gasolina	FWD	2359	140	190	01.16-06.19	■
3.3 (G6DF)		Gasolina	FWD	3342	191	260	01.16-	■
3.3 MPI (G6DF)		Gasolina	FWD	3342	199	271	01.16-	■
3.3 GDI (G6DM)		Gasolina	FWD	3342	209	284	01.16-	■
3.3 GDI (G6DM)		Gasolina	FWD	3342	213	290	01.16-06.19	■
2.4 Hybrid (G4KK)		Gasol./el éc.	FWD	2359	147	200	01.16-	■
<b>CEE'D III (CD) 03.18-</b>					<b>Hatchback (Compact car-C Segment)</b>			
1.6 T-GDI GT (G4FJ)		Gasolina	FWD	1591	150	204	10.18-	■
1.6 CRDi 115 Eco-Dynamics+ (D4FE)		Diesel/el éc.	FWD	1598	85	116	12.19-	■
1.6 CRDi 136 Eco-Dynamics+ (D4FE)		Diesel/el éc.	FWD	1598	100	136	12.19-	■
<b>CEE'D III Sport Wagon (CD) 03.18-</b>					<b>Estate (Compact car-C Segment)</b>			
1.6 CRDi 115 Eco-Dynamics+ (D4FE)		Diesel/el éc.	FWD	1598	85	116	12.19-	■
1.6 CRDi 136 Eco-Dynamics+ (D4FE)		Diesel/el éc.	FWD	1598	100	136	12.19-	■
<b>OPTIMA III / K5 (FSGDS6B) 01.10-</b>					<b>Saloon (Executive car-E Segment)</b>			
2.0 CVVL (G4KD)		Gasolina	FWD	1998	121	165	03.12-12.15	■
2.0 (G4KD)		Gasolina	FWD	1998	125	170	03.12-12.15	■
2.0 (G4KH)	03/12-	Gasolina	FWD	1998	204	277	09.10-12.15	■
2.4 (G4KJ)		Gasolina	FWD	2359	132	179	03.12-12.15	■
2.4 (G4KJ)	03/12-	Gasolina	FWD	2359	149	203	09.10-12.15	■
1.7 CRDi (D4FD)		Diesel	FWD	1685	100	136	03.12-12.15	■
<b>OPTIMA IV / K5 (JF) 09.15-</b>					<b>Saloon (Executive car-E Segment)</b>			
2.0		Gasolina	FWD	1999	113	154	09.15-12.19	■

# LISTA DE APLICACIONES - BUYERS GUIDE

2.0 CVVL (G4ND)		Gasolina	FWD	1999	124	168	09.15-12.17	■
2.4 MPi (G4KE)		Gasolina	FWD	2359	126	171	09.15-12.19	■
2.4 MPi (G4KE)		Gasolina	FWD	2359	131	178	09.15-12.19	■
2.4 GDI (G4KJ)		Gasolina	FWD	2359	138	188	09.15-12.19	■
<b>PRO CEE'D III (CD) 10.18-</b>					<b>Estate Van (Compact car-C Segment)</b>			
1.6 T-GDI GT (G4FJ)		Gasolina	FWD	1591	150	204	10.18-	■
<b>PRO CEE'D III (CD) 10.18-</b>					<b>Estate (Compact car-C Segment)</b>			
1.6 T-GDI (G4FJ)		Gasolina	FWD	1591	147	200	10.18-	■
1.6 T-GDI GT (G4FJ)		Gasolina	FWD	1591	150	204	10.18-	■
<b>SELTOS (SP2, SP2I) 08.19-</b>					<b>SUV (Compact SUV-J Segment)</b>			
1.6 T-GDi (SP2)		Gasolina	FWD	1591	130	177	09.19-	■
1.6 T-GDi 4WD (SP2) (G4FJ)		Gasolina	4WD	1591	130	177	09.19-06.22	■
<b>SOUL II (PS) 02.14-</b>					<b>Hatchback (Mini MPV-M1 Segment)</b>			
1.6 CVVT		Gasolina	FWD	1591	95	129	07.16-12.18	■
1.6 CVVT Flex		Gasol./Etanol	FWD	1591	94	128	09.14-05.20	■
<b>XCEED (CD) 06.19-</b>					<b>SUV Van (Compact SUV-J Segment)</b>			
1.4 T-GDI (G4LD)		Gasolina	FWD	1353	103	140	06.19-12.20	■
1.6 T-GDI (G4FJ)		Gasolina	FWD	1591	150	204	06.19-	■
1.6 CRDI (D4FE)		Diesel	FWD	1598	100	136	06.19-	■
<b>XCEED (CD) 06.19-</b>					<b>SUV (Compact SUV-J Segment)</b>			
1.0 T-GDI (G3LC)		Gasolina	FWD	998	88	120	06.19-	■
1.4 T-GDI (G4LD)		Gasolina	FWD	1353	103	140	06.19-12.20	■
1.5 T-GDI		Gasolina	FWD	1482	118	160	01.21-	■
1.6 T-GDI (G4FJ)		Gasolina	FWD	1591	147	200	09.19-	■
1.6 T-GDI (G4FJ)		Gasolina	FWD	1591	150	204	06.19-	■
1.0 T-GDI MHEV		Gasol./eléc.	FWD	998	88	120	08.21-	■
1.6 CRDi 115 Eco-Dynamics+ (D4FE)		Diesel/eléc.	FWD	1598	85	116	12.19-	■
1.6 CRDi 136 Eco-Dynamics+ (D4FE)		Diesel/eléc.	FWD	1598	100	136	12.19-	■
1.6 CRDi 115 (D4FE)		Diesel	FWD	1598	85	116	06.19-	■
1.6 CRDi 136 (D4FE)		Diesel	FWD	1598	100	136	06.19-	■
<b>MITSUBISHI</b>								
<b>ECLIPSE CROSS (GK_, GL_) 10.17-</b>					<b>SUV (Compact SUV-J Segment)</b>			
Plug-in Hybrid 4WD (GL3W)		Gasol./eléc.	4WD	2360	138	188	01.21-	■