

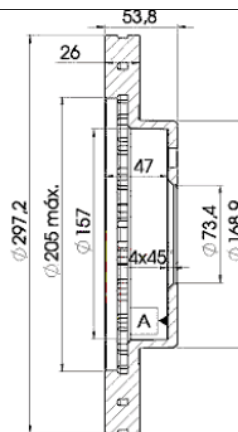
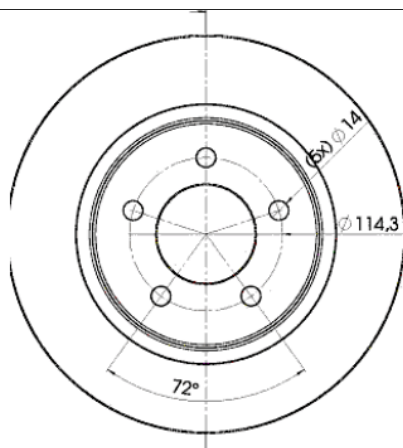
LISTA DE APLICACIONES - BUYERS GUIDE

78BD5386-2



Weight: 15.640

O.E.M.	MAKE
04779133AA	CHRYSLER
04779133AB	CHRYSLER
04779133AC	CHRYSLER
4779133AA	CHRYSLER
4779133AB	CHRYSLER
4779133AC	CHRYSLER



78BD5386-2



Ø297x26x54

MAKE
CHRYSLER



Trac.	CC	Kw	CV
-------	----	----	----



Front / Rear

CHRYSLER

300M (LR) 07.98-09.04

Saloon (Luxury car-F Segment)

Engine	Fuel	Trac.	CC	Kw	CV	Period	Availability
2.7 V6 24V (EER)	Gasolina	FWD	2736	149	203	11.98-08.00	■
2.7 V6 24V (EER)	Gasolina	FWD	2736	150	204	08.00-09.04	■
3.5 V6 24V (EGG)	Gasolina	FWD	3518	185	252	08.00-09.04	■
3.5 V6 24V (EGG)	Gasolina	FWD	3518	187	254	07.98-08.00	■