

LISTA DE APLICACIONES - BUYERS GUIDE

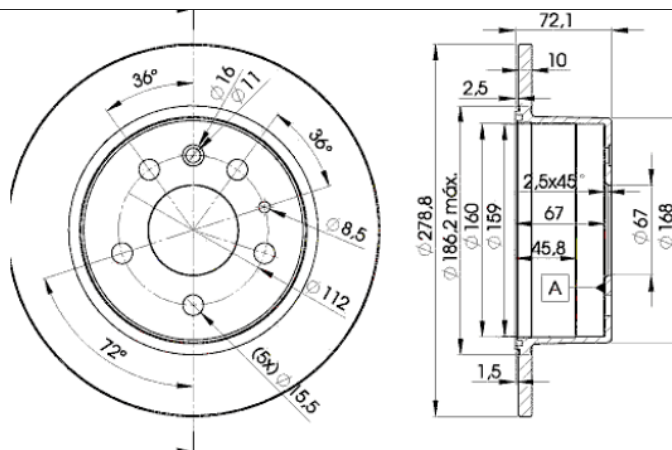
78BD5500-1



8 424073 147066

Weight: 4.550

O.E.M.	MAKE
115 420 00 72	MERCEDES-BENZ
115 423 02 12	MERCEDES-BENZ
115 423 04 12	MERCEDES-BENZ
126 423 00 12	MERCEDES-BENZ



78BD5500-1

E1 90R-02C0241/0160



Ø279x10x69.5

MAKE
MERCEDES-BENZ



Trac.	CC	Kw	CV
-------	----	----	----



Front / Rear

MERCEDES-BENZ

/8 (W114) 04.69-02.77

Coupe (Executive car-E Segment)

250 C (114.021) (M 114.920)	Gasolina	RWD	2496	96	130	04.69-06.72	■
250 CE (114.022) (M 114.980)	Gasolina	RWD	2496	110	150	04.69-04.72	■
280 C (114.073) (M 110.921)	Gasolina	RWD	2746	118	160	06.72-02.77	■
280 CE (114.072) (M 110.981)	Gasolina	RWD	2746	136	185	06.72-01.77	■
250 C 2.8 (114.023) (M 130.923)	Gasolina	RWD	2778	96	130	06.72-11.76	■

/8 (W114) 01.68-11.76

Saloon (Executive car-E Segment)

200 (115.015) (M 115.923)	Gasolina	RWD	1988	63	86	01.68-01.77	■
200 (115.015) (M 115.926)	Gasolina	RWD	1988	63	86	01.68-01.77	■
200 (115.020) (M 115.923)	Gasolina	RWD	1988	70	95	01.68-01.77	■
200 (115.020) (M 115.926)	Gasolina	RWD	1988	70	95	01.68-01.77	■
220 (115.010) (M 115.924)	Gasolina	RWD	2200	66	90	01.68-07.73	■
220 (115.010) (M 115.920)	Gasolina	RWD	2200	77	105	01.68-07.73	■
230.6 (114.015) (M 180.954)	Gasolina	RWD	2292	88	120	01.68-11.76	■
230.4 (115.017) (M 115.951)	Gasolina	RWD	2307	81	110	08.73-12.76	■
250 (114.010) (M 114.920)	Gasolina	RWD	2496	85	116	01.68-08.72	■
250 (114.024, 114.010) (M 114.920)	Gasolina	RWD	2496	96	130	07.68-08.72	■
280 (114.060) (M 110.921)	Gasolina	RWD	2746	118	160	06.72-11.76	■
280 E (114.062) (M 110.981)	Gasolina	RWD	2746	136	185	06.72-11.76	■
250 2.8 (114.011) (M 130.923)	Gasolina	RWD	2778	96	130	06.72-11.76	■
200 D (115.115) (OM 615.913)	Diesel	RWD	1988	40	55	01.68-01.77	■
220 D (115.110) (OM 615.912)	Diesel	RWD	2197	44	60	01.68-01.77	■
240 D (115.117, 115.105, 115.107, 115.108, 115.119) (OM 616.916)	Diesel	RWD	2404	48	65	08.73-01.77	■

LISTA DE APLICACIONES - BUYERS GUIDE

240 D 3.0 (115.114) (OM 617.910)		Diesel	RWD	2998	59	80	08.74-11.76	■	
123 (C123) 03.77-12.85					Coupe (Executive car-E Segment)				
230 CE (123.243) (M 102.980)		Gasolina	RWD	2299	100	136	04.80-12.85	■	
230 C (123.043) (M 115.954)		Gasolina	RWD	2307	80	109	05.77-04.80	■	
280 C (123.050) (M 110.923)		Gasolina	RWD	2746	115	156	03.77-03.80	■	
280 CE (123.053) (M 110.988)		Gasolina	RWD	2746	130	177	09.77-08.79	■	
280 CE (123.053) (M 110.988)		Gasolina	RWD	2746	136	185	03.77-11.85	■	
300 C Turbo-D (123.153) (OM 617.952)		Diesel	RWD	2998	92	125	09.81-07.85	■	
123 (W123) 01.76-12.85					Saloon (Executive car-E Segment)				
200 (123.020) (M 115.938)		Gasolina	RWD	1988	62	84	02.76-08.80	■	
200 (123.020) (M 115.939)		Gasolina	RWD	1988	62	84	02.76-08.80	■	
200 (123.020) (M 115.938)		Gasolina	RWD	1988	69	94	02.76-08.80	■	
200 (123.020) (M 115.939)		Gasolina	RWD	1988	69	94	02.76-08.80	■	
200 (123.220) (M 102.939)		Gasolina	RWD	1996	74	101	06.80-11.85	■	
200 (123.220) (M 102.920)		Gasolina	RWD	1996	80	109	06.80-11.85	■	
230 E (123.223) (M 102.980)		Gasolina	RWD	2299	100	136	04.80-12.85	■	
230 (123.023) (M 115.954)		Gasolina	RWD	2307	80	109	02.76-03.81	■	
250 (123.026) (M 123.921)		Gasolina	RWD	2525	95	129	02.76-10.79	■	
250 (123.026) (M 123.921)		Gasolina	RWD	2525	103	140	10.79-07.85	■	
280 (123.030) (M 110.923)		Gasolina	RWD	2746	115	156	02.76-08.81	■	
280 E (123.033) (M 110.988)		Gasolina	RWD	2746	130	177	08.76-08.81	■	
280 E (123.033) (M 110.984)		Gasolina	RWD	2746	136	185	02.76-11.85	■	
280 E (123.033) (M 110.988)		Gasolina	RWD	2746	136	185	02.76-11.85	■	
200 D (123.120) (OM 615.940)		Diesel	RWD	1988	40	55	07.76-02.79	■	
200 D (123.120) (OM 615.940)		Diesel	RWD	1988	44	60	03.79-11.85	■	
220 D (123.126) (OM 615.941)		Diesel	RWD	2197	44	60	01.76-02.79	■	
220 D (123.126) (OM 615.941)		Diesel	RWD	2197	49	67	01.77-03.79	■	
240 D (123.123) (OM 616.912)		Diesel	RWD	2399	48	65	02.76-02.79	■	
240 D (123.123) (OM 616.912)		Diesel	RWD	2399	53	72	03.79-11.85	■	
300 D (123.130) (OM 617.912)		Diesel	RWD	2998	59	80	02.76-07.80	■	
300 D (123.130) (OM 617.912)		Diesel	RWD	2998	65	88	03.79-11.85	■	
300 Turbo-D (123.133) (OM 617.952)		Diesel	RWD	2998	92	125	08.81-07.85	■	
123 T-Model (S123) 09.77-12.86					Estate (Executive car-E Segment)				
200 T (123.280) (M 102.939)		Gasolina	RWD	1997	74	101	11.80-11.85	■	
200 T (123.280) (M 102.920)		Gasolina	RWD	1997	80	109	11.80-11.85	■	
230 TE (123.283) (M 102.980)		Gasolina	RWD	2299	100	136	04.80-11.85	■	
230 T (123.083) (M 115.954)		Gasolina	RWD	2307	80	109	09.77-03.80	■	
250 T (123.086) (M 123.921)		Gasolina	RWD	2525	95	129	05.78-10.79	■	
250 T (123.086) (M 123.921)		Gasolina	RWD	2525	103	140	05.78-08.82	■	
280 TE (123.093) (M 110.988)		Gasolina	RWD	2746	136	185	09.77-11.85	■	
240 T D (123.183) (OM 616.912)		Diesel	RWD	2399	48	65	09.77-02.79	■	
240 T D (123.183) (OM 616.912)		Diesel	RWD	2399	53	72	03.79-12.85	■	
300 T D (123.190) (OM 617.912)		Diesel	RWD	2998	59	80	09.77-10.85	■	
300 T D (123.190) (OM 617.912)		Diesel	RWD	2998	65	88	03.79-11.85	■	
300 T Turbo-D (123.193) (OM 617.952)		Diesel	RWD	2998	92	125	10.80-11.85	■	
CABRIOLET (W111, W112) 09.61-12.71					Convertible (Luxury car-F Segment)				
280 SE 3.5 (111.025) (M 116.980)		Gasolina	RWD	3499	147	200	04.68-12.71	■	
COUPE II (W111, W112) 01.61-12.71					Coupe (Executive car-E Segment)				
250 SE (111.021) (M 129.980)		Gasolina	RWD	2496	110	150	01.65-12.67	■	
250 SE (111.021) (M 129.981)		Gasolina	RWD	2496	110	150	01.65-12.67	■	

LISTA DE APLICACIONES - BUYERS GUIDE

280 SE (111.024) (M 130.980)		Gasolina	RWD	2778	118	160	01.67-12.71	■
280 SE (111.024) (M 130.984)		Gasolina	RWD	2778	118	160	01.67-12.71	■
280 SE 3.5 (111.026) (M 116.980)		Gasolina	RWD	3499	147	200	01.69-12.71	■
HECKFLOSSE (W110) 08.59-02.68					Saloon (Compact executive car-D Segment)			
200 (110.010) (M 121.940)		Gasolina	RWD	1988	61	83	07.65-02.68	■
200 D (110.110) (OM 621.918)		Diesel	RWD	1971	40	55	07.65-02.68	■
PAGODE (W113) 01.63-12.71					Convertible (Luxury car-F Segment)			
230 SL (113.042) (M 127.981)	06/65-	Gasolina	RWD	2306	110	150	01.63-01.67	■
250 SL (113.043) (M 129.982)		Gasolina	RWD	2496	110	150	01.66-01.68	■
280 SL (113.044) (M 130.983)		Gasolina	RWD	2780	125	170	01.68-03.71	■
S-Class (W108, W109) 01.66-08.72					Saloon (Luxury car-F Segment)			
250 S (108.012) (M 108.920)		Gasolina	RWD	2496	96	130	01.66-12.69	■
250 SE (108.014) (M 129.980)		Gasolina	RWD	2496	110	150	01.66-12.67	■
280 S (116.020) (M 110.922)		Gasolina	RWD	2746	115	156	08.72-07.80	■
280 S (116.020) (M 110.922)		Gasolina	RWD	2746	118	160	08.72-07.80	■
280 SE, SEL (116.024, 116.025) (M 110.985)		Gasolina	RWD	2746	130	177	08.72-07.80	■
280 SE, SEL (116.024, 116.025) (M 110.983)		Gasolina	RWD	2746	136	185	08.72-07.80	■
280 SE, SEL (116.024, 116.025) (M 110.985)		Gasolina	RWD	2746	136	185	08.72-07.80	■
280 SE, SEL (108.018, 108.019) (M 130.980)		Gasolina	RWD	2778	118	160	01.68-08.72	■
300 SEL (109.016) (M 130.981)		Gasolina	RWD	2778	125	170	01.68-08.72	■
280 S (108.016) (M 130.920)		Gasolina	RWD	2780	103	140	10.67-07.72	■
350 SE, SEL (116.028, 116.029) (M 116.985)		Gasolina	RWD	3499	143	194	03.76-03.80	■
280 SE, SEL 3.5 (108.057, 108.058) (M 116.980)		Gasolina	RWD	3499	147	200	03.71-08.72	■
300 SEL 3.5 (109.056) (M 116.981)		Gasolina	RWD	3499	147	200	01.70-07.72	■
350 SE, SEL (116.028, 116.029) (M 116.983)	-07/75	Gasolina	RWD	3499	147	200	08.72-02.76	■
350 SE, SEL (116.028, 116.029) (M 116.985)		Gasolina	RWD	3499	151	205	03.76-03.80	■
450 SE (M 117.983)		Gasolina	RWD	4520	143	194	08.72-12.76	■
450 SE,SEL (116.033) (M 117.983)		Gasolina	RWD	4520	160	218	12.75-04.80	■
450 SE,SEL (116.033) (M 117.986)		Gasolina	RWD	4520	160	218	12.75-04.80	■
450 SE, SEL (116.032) (M 117.983)	01/76-	Gasolina	RWD	4520	165	224	01.73-04.80	■
450 SE, SEL (116.032) (M 117.986)	01/76-	Gasolina	RWD	4520	165	224	01.73-04.80	■
300 SEL 6.3 (109.018) (M 100.981)		Gasolina	RWD	6332	184	250	03.68-08.72	■
450 SEL 6.9 (116.036) (M 100.985)		Gasolina	RWD	6834	210	286	07.75-03.80	■
S-Class II (C126) 08.80-06.91					Coupe (Luxury car-F Segment)			
380 SEC (126.043) (M 116.963)		Gasolina	RWD	3839	150	204	10.81-07.85	■
420 SEC (126.046) (M 116.965)		Gasolina	RWD	4196	150	204	10.85-06.91	■
420 SEC (126.046) (M 116.965)		Gasolina	RWD	4196	160	218	10.85-12.87	■
420 SEC (126.046) (M 116.965)		Gasolina	RWD	4196	165	224	10.85-06.91	■
420 SEC (126.046) (M 116.965)		Gasolina	RWD	4196	170	231	09.86-06.91	■
500 SEC (126.044) (M 117.965)		Gasolina	RWD	4973	164	223	10.85-06.91	■
500 SEC (126.044) (M 117.963)		Gasolina	RWD	4973	170	231	10.81-08.85	■
500 SEC (126.044) (M 117.963)		Gasolina	RWD	4973	177	241	08.80-08.85	■
500 SEC (126.044) (M 117.965)		Gasolina	RWD	4973	180	245	09.85-06.91	■
500 SEC (126.044) (M 117.965)		Gasolina	RWD	4973	185	252	08.87-06.91	■
500 SEC Cat (126.044) (M 117.965)		Gasolina	RWD	4973	185	252	06.89-06.91	■
500 SEC (126.044) (M 117.965)		Gasolina	RWD	4973	195	265	09.85-06.91	■
560 SEC (126.045) (M 117.968)		Gasolina	RWD	5547	178	242	10.85-06.91	■
560 SEC (126.045) (M 117.968)		Gasolina	RWD	5547	200	272	10.85-12.87	■
560 SEC (126.045) (M 117.968)		Gasolina	RWD	5547	205	279	10.85-06.91	■

LISTA DE APLICACIONES - BUYERS GUIDE

560 SEC (126.045) (M 117.968)		Gasolina	RWD	5547	220	300	10.85-12.89	■
S-Class II (W126) 10.79-06.91				Saloon (Luxury car-F Segment)				
260 SE (126.020) (M 103.941)		Gasolina	RWD	2599	118	160	09.85-06.91	■
260 SE (126.020) (M 103.941)		Gasolina	RWD	2599	122	166	09.85-06.91	■
280 S (126.021) (M 110.924)		Gasolina	RWD	2746	115	156	12.79-07.85	■
280 S (126.021) (M 110.926)		Gasolina	RWD	2746	115	156	12.79-07.85	■
280 SE, SEL (126.022, 126.023) (M 110.987)		Gasolina	RWD	2746	136	185	10.79-07.85	■
280 SE, SEL (126.022, 126.023) (M 110.989)		Gasolina	RWD	2746	136	185	10.79-07.85	■
300 SE, SEL (126.024, 126.025) (M 103.981)		Gasolina	RWD	2960	132	180	01.86-06.91	■
300 SE, SEL (126.024, 126.025) (M 103.981)		Gasolina	RWD	2960	138	188	09.85-12.89	■
3.8 (126.035, 126.034) (M 116.961)		Gasolina	RWD	3818	160	218	08.80-08.84	■
380 SE, SEL (126.032, 126.033) (M 116.961)		Gasolina	RWD	3818	160	218	09.80-10.81	■
380 SE, SEL (126.032) (M 116.963)		Gasolina	RWD	3839	150	204	10.81-08.85	■
420 SE, SEL (126.034, 126.035) (M 116.965)		Gasolina	RWD	4196	150	204	10.85-06.91	■
420 SE, SEL (126.034) (M 116.965)		Gasolina	RWD	4196	160	218	10.85-12.87	■
420 SE, SEL (126.035, 126.034) (M 116.965)		Gasolina	RWD	4196	165	224	10.85-06.91	■
420 SE, SEL (126.035, 126.034) (M 116.965)		Gasolina	RWD	4196	170	231	10.85-12.87	■
500 SE, SEL (126.036) (M 117.965)		Gasolina	RWD	4973	164	223	09.85-06.91	■
500 SE, SEL (126.036) (M 117.961)		Gasolina	RWD	4973	170	231	12.79-08.85	■
500 SE, SEL (126.036) (M 117.963)		Gasolina	RWD	4973	170	231	12.79-08.85	■
500 SE, SEL (126.036) (M 117.961)		Gasolina	RWD	4973	177	241	12.79-08.85	■
500 SE, SEL (126.036) (M 117.963)		Gasolina	RWD	4973	177	241	12.79-08.85	■
500 SE, SEL (126.036) (M 117.965)		Gasolina	RWD	4973	180	245	09.85-06.91	■
500 SE, SEL (126.037, 126.036) (M 117.965)		Gasolina	RWD	4973	185	252	09.87-06.91	■
500 SE, SEL Cat (126.037, 126.036) (M 117.965)		Gasolina	RWD	4973	185	252	06.89-06.91	■
500 SE, SEL (126.037, 126.036) (M 117.965)		Gasolina	RWD	4973	195	265	09.87-06.91	■
560 SE, SEL (126.038, 126.039) (M 117.968)		Gasolina	RWD	5547	178	242	10.85-06.91	■
560 SE, SEL (126.038) (M 117.968)		Gasolina	RWD	5547	200	272	10.85-12.87	■
560 SE, SEL (126.038) (M 117.968)		Gasolina	RWD	5547	205	279	08.87-06.91	■
560 SE, SEL (126.039, 126.038) (M 117.968)		Gasolina	RWD	5547	220	300	10.85-06.91	■
300 SDL (126.125) (OM 603.961)		Diesel	RWD	2996	107	146	09.86-12.87	■
300 SDL (126.125)		Diesel	RWD	2996	110	150	09.85-12.86	■
300 SD (126.120) (OM 617.951)		Diesel	RWD	2998	92	125	09.80-12.85	■
350 SD, SDL (126.134, 126.135)		Diesel	RWD	3449	110	150	09.89-06.91	■
SL-Class III (R107) 05.71-12.89				Convertible (Executive car-E Segment)				
280 SL (107.042) (M 110.982)	-08/78	Gasolina	RWD	2746	130	177	06.76-09.81	■
280 SL (107.042) (M 110.986)	-08/78	Gasolina	RWD	2746	130	177	06.76-09.81	■
280 SL (107.042) (M 110.990)	-08/78	Gasolina	RWD	2746	130	177	06.76-09.81	■
280 SL (107.042) (M 110.982)		Gasolina	RWD	2746	136	185	08.74-07.85	■
280 SL (107.042) (M 110.986)		Gasolina	RWD	2746	136	185	08.74-07.85	■
280 SL (107.042) (M 110.990)		Gasolina	RWD	2746	136	185	08.74-07.85	■
300 SL (107.041) (M 103.982)		Gasolina	RWD	2960	132	180	09.85-08.89	■
300 SL (107.041) (M 103.982)		Gasolina	RWD	2960	138	188	09.85-08.89	■
350 SL (107.043) (M 116.982)		Gasolina	RWD	3499	143	195	05.71-02.80	■
350 SL (107.043) (M 116.984)		Gasolina	RWD	3499	143	195	05.71-02.80	■
350 SL (107.043) (M 116.982)		Gasolina	RWD	3499	147	200	05.71-12.76	■
380 SL (107.045) (M 116.960)		Gasolina	RWD	3818	160	218	09.80-08.81	■
380 SL (107.045)		Gasolina	RWD	3839	116	158	09.80-12.85	■
380 SL (107.045) (M 116.962)		Gasolina	RWD	3839	150	204	09.80-08.85	■
420 SL (107.047) (M 116.964)		Gasolina	RWD	4196	150	204	01.86-08.89	■

LISTA DE APLICACIONES - BUYERS GUIDE

420 SL (107.047) (M 116.964)	Gasolina	RWD	4196	160	218	01.86-08.89	■
450 SL (107.044) (M 117.982)	Gasolina	RWD	4520	160	218	09.75-10.80	■
450 SL (107.044) (M 117.985)	Gasolina	RWD	4520	160	218	09.75-10.80	■
450 SL (107.044) (M 117.982)	Gasolina	RWD	4520	165	224	10.72-10.80	■
450 SL (107.044) (M 117.985)	Gasolina	RWD	4520	165	224	10.72-10.80	■
500 SL (107.046) (M 117.964)	Gasolina	RWD	4973	164	223	01.86-08.89	■
500 SL (107.046) (M 117.960)	Gasolina	RWD	4973	170	231	05.80-12.85	■
500 SL (107.046) (M 117.962)	Gasolina	RWD	4973	170	231	05.80-12.85	■
500 SL (107.046) (M 117.960)	Gasolina	RWD	4973	177	241	05.80-12.81	■
500 SL (107.046) (M 117.960)	Gasolina	RWD	4973	180	245	01.86-08.89	■
500 SL (107.046) (M 117.964)	Gasolina	RWD	4973	180	245	01.86-08.89	■
5.0 500 SL	Gasolina	FWD	4973	195	265	10.87-09.89	■
560 SL (107.048) (M 117.967)	Gasolina	RWD	5547	169	230	09.85-12.89	■
560 SL (107.048)	Gasolina	RWD	5547	178	242	01.86-12.89	■
SL-Class III (C107) 01.72-08.85				Coupe (Executive car-E Segment)			
280 SLC (107.022) (M 110.982)	Gasolina	RWD	2746	130	177	06.76-09.81	■
280 SLC (107.022) (M 110.986)	Gasolina	RWD	2746	130	177	06.76-09.81	■
280 SLC (107.022) (M 110.990)	Gasolina	RWD	2746	130	177	06.76-09.81	■
280 SLC (107.022) (M 110.982)	Gasolina	RWD	2746	136	185	08.74-09.81	■
280 SLC (107.022) (M 110.986)	Gasolina	RWD	2746	136	185	08.74-09.81	■
280 SLC (107.022) (M 110.990)	Gasolina	RWD	2746	136	185	08.74-09.81	■
350 SLC (107.023) (M 116.982)	Gasolina	RWD	3499	143	195	03.76-02.80	■
350 SLC (107.023) (M 116.984)	Gasolina	RWD	3499	143	195	03.76-02.80	■
350 SLC (107.023) (M 116.982)	Gasolina	RWD	3499	147	200	01.72-02.76	■
350 SLC (107.023) (M 116.984)	Gasolina	RWD	3499	147	200	01.72-02.76	■
380 SLC (107.025) (M 116.960)	Gasolina	RWD	3818	160	218	07.80-08.81	■
450 SLC (107.024) (M 117.982)	Gasolina	RWD	4520	160	218	09.75-08.79	■
450 SLC (107.024) (M 117.985)	Gasolina	RWD	4520	160	218	09.75-08.79	■
450 SLC (107.024) (M 117.982)	Gasolina	RWD	4520	165	225	01.73-11.75	■
450 SLC (107.024) (M 117.985)	Gasolina	RWD	4520	165	225	01.73-11.75	■
450 SLC 5.0 (107.026) (M 117.960)	Gasolina	RWD	4973	177	241	06.78-02.80	■