

# LISTA DE APLICACIONES - BUYERS GUIDE

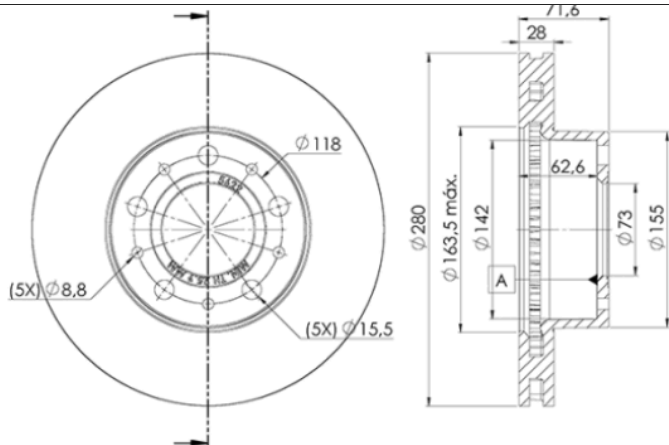
## 78BD5622-2



8 424073 147295

Weight: 15.516

O.E.M.	MAKE
4249.28	PEUGEOT
4249.29	PEUGEOT
4249.98	PEUGEOT
4249.K2	PEUGEOT
51 705 749	FIAT
51 740 246	FIAT
51 848 620	FIAT
51 848 621	FIAT
6001073177	FIAT



## 78BD5622-2



Ø280x28x71.6

MAKE
CITROËN
FIAT
OPEL
PEUGEOT
VAUXHALL



Trac.	CC	Kw	CV
-------	----	----	----



Front / Rear

### CITROËN

#### JUMPER III / RELAY 04.06-

#### Bus (Minibus-M2-Segment)

Model	Weight	Engine	Trac.	CC	Kw	CV	Period	Option
2.0 BlueHDi 110 (AHM (DW10FUE))	Kg. 1700	Diesel	FWD	1997	81	110	07.15-09.19	■
2.0 BlueHDi 130 (AHN (DW10FUD))	Kg. 1700	Diesel	FWD	1997	96	130	07.15-09.19	■
2.0 BlueHDi 160 (AHP (DW10FUC))	Kg. 1700	Diesel	FWD	1997	120	163	07.15-09.19	■
2.2 HDi 100 (4HV (P22DTE))	Kg. 1700	Diesel	FWD	2198	74	101	04.06-	■
2.2 HDi 110 (4HG (P22DTE))	Eq.V_ Nutzlast leicht 16Q, Kg. 1600, increased payload	Diesel	FWD	2198	81	110	07.11-12.20	■
2.2 HDi 120 (4HU (P22DTE))	Kg. 1700	Diesel	FWD	2198	88	120	04.06-12.16	■
2.2 HDi 130 (4HH (P22DTE))	Kg. 1700, Short Wheelbase	Diesel	FWD	2198	96	130	07.11-	■
2.2 HDi 150 (4HJ (P22DTE))	Eq.V_ Nutzlast leicht 16Q, Kg. 1600, increased payload	Diesel	FWD	2198	110	150	07.11-	■
3.0 HDi 155 (F1CE0481D (F30DT))	Kg. 1700, Short Wheelbase	Diesel	FWD	2999	115	157	07.06-	■
3.0 HDi 160 (F1CE0481D (F30DT))		Diesel	FWD	2999	116	157	09.06-	■
3.0 HDi 180 (F1CE3481E (F30DTE))	Eq.V_ Nutzlast leicht 16Q, Kg. 1600, increased payload	Diesel	FWD	2999	130	177	07.11-	■

#### JUMPER III / RELAY 04.06-

#### Platform/Chassis (LCVs-N1 Segment)

Model	Weight	Engine	Trac.	CC	Kw	CV	Period	Option
2.0 BlueHDi 110 (AHM (DW10FUE))	Kg. 1700	Diesel	FWD	1997	81	110	11.15-09.19	■
2.0 BlueHDi 130 (AHN (DW10FUD))	Kg. 1700	Diesel	FWD	1997	96	130	11.15-09.19	■
2.0 BlueHDi 130 4x4 (AHN (DW10FUD))	Kg. 1700	Diesel	4WD	1997	96	130	11.15-09.19	■
2.0 BlueHDi 160 (AHP (DW10FUC))	Kg. 1700	Diesel	FWD	1997	120	163	11.15-09.19	■
2.0 BlueHDi 160 4x4 (AHP (DW10FUC))	Kg. 1700	Diesel	4WD	1997	120	163	11.15-09.19	■
2.2 HDi 100 (4HV (P22DTE))	Kg. 1700	Diesel	FWD	2198	74	101	04.06-	■
2.2 HDi 110 (4HG (P22DTE))	Eq.V_ Nutzlast leicht 16Q, Kg. 1600, increased payload	Diesel	FWD	2198	81	110	07.11-12.20	■
2.2 HDi 120 (4HU (P22DTE))	Kg. 1700	Diesel	FWD	2198	88	120	04.06-12.16	■

# LISTA DE APLICACIONES - BUYERS GUIDE

2.2 HDi 130 (4HH (P22DTE))	Eq.V_ Nutzlast leicht 16Q, Kg. 1600, increased payload	Diesel	FWD	2198	96	130	07.06-	■	
2.2 HDi 150 (4HJ (P22DTE))	Eq.V_ Nutzlast leicht 16Q, Kg. 1600, increased payload	Diesel	FWD	2198	110	150	07.11-	■	
3.0 HDi 145 (F30DTE (F1CE3481N))	Eq.V_ Nutzlast leicht 16Q, Kg. 1600, increased payload	Diesel	FWD	2999	107	146	07.10-12.13	■	
3.0 HDi 160 (F1CE0481D (F30DT))	Kg. 1700	Diesel	FWD	2999	116	157	09.06-12.15	■	
3.0 HDi 180 (F1CE3481E (F30DTE))	Eq.V_ Nutzlast leicht 16Q, Kg. 1600, increased payload	Diesel	FWD	2999	130	177	07.11-	■	
<b>JUMPER III / RELAY 04.06-</b>						<b>Van (LCVs-N1 Segment)</b>			
2.0 BlueHdi 110 (AHM (DW10FUE))	Kg. 1700	Diesel	FWD	1997	81	110	11.15-09.19	■	
2.0 BlueHdi 130 (AHN (DW10FUD))	Kg. 1700	Diesel	FWD	1997	96	130	11.15-09.19	■	
2.0 BlueHdi 160 (AHP (DW10FUC))	Kg. 1700	Diesel	FWD	1997	120	163	11.15-09.19	■	
2.0 BlueHdi 160 4x4 (AHP (DW10FUC))	Kg. 1700	Diesel	4WD	1997	120	163	11.15-09.19	■	
2.2 HDi 100 (4HV (P22DTE))	Kg. 1700	Diesel	FWD	2198	74	101	04.06-12.12	■	
2.2 HDi 110 (4HG (P22DTE))	Eq.V_ Nutzlast leicht 16Q, Kg. 1600, increased payload	Diesel	FWD	2198	81	110	07.11-12.20	■	
2.2 HDi 120 (4HU (P22DTE))	Kg. 1700	Diesel	FWD	2198	88	120	04.06-12.16	■	
2.2 HDi 130 (4HH (P22DTE))	Eq.V_ Nutzlast leicht 16Q, Kg. 1600, increased payload	Diesel	FWD	2198	96	130	07.11-	■	
2.2 HDi 150 (4HJ (P22DTE))	Eq.V_ Nutzlast leicht 16Q, Kg. 1600, increased payload	Diesel	FWD	2198	110	150	07.11-	■	
3.0 HDi 145 (F30DTE (F1CE3481N))	Eq.V_ Nutzlast leicht 16Q, Kg. 1600, increased payload	Diesel	FWD	2999	107	146	07.10-12.13	■	
3.0 HDi 155 (F1CE0481D (F30DT))	Kg. 1700, Short Wheelbase	Diesel	FWD	2999	115	156	07.06-12.15	■	
3.0 HDi 160 (F1CE0481D (F30DT))		Diesel	FWD	2999	116	157	09.06-12.15	■	
3.0 HDi 180 (F1CE3481E (F30DTE))	Eq.V_ Nutzlast leicht 16Q, Kg. 1600, increased payload	Diesel	FWD	2999	130	177	07.11-	■	
<b>FIAT</b>									
<b>DUCATO III (250_) 07.06-</b>						<b>Bus (Minibus-M2-Segment)</b>			
115 Multijet 2,0 D (250 A1.000)	Eq.V_ Nutzlast leicht 17Q, Kg. 1700, increased payload	Diesel	FWD	1956	85	116	06.11-	■	
115 Multijet 2,0 D (250 A2.000)	Eq.V_ Nutzlast leicht 17Q, Kg. 1700, increased payload	Diesel	FWD	1956	85	116	06.11-	■	
100 Multijet 2,2 D (4HV)	Kg. 1700	Diesel	FWD	2198	74	101	07.06-05.11	■	
110 Multijet 2,3 D (F1AE3481G)	Eq.V_ Nutzlast leicht 17Q, Kg. 1700, increased payload	Diesel	FWD	2287	83	113	10.11-07.14	■	
120 Multijet 2,3 D (F1AE0481D)	Kg. 1700	Diesel	FWD	2287	88	120	07.06-10.13	■	
130 Multijet 2,3 D	Eq.V_ Nutzlast leicht 17Q, Kg. 1700, increased payload	Diesel	FWD	2287	93	126	01.10-	■	
130 Multijet 2,3 D (F1AE0481N)	Eq.V_ Nutzlast leicht 17Q, Kg. 1700, increased payload	Diesel	FWD	2287	96	131	01.07-	■	
130 Multijet 2,3 D (F1AE3481D)	Eq.V_ Nutzlast leicht 17Q, Kg. 1700, increased payload	Diesel	FWD	2287	96	131	01.07-	■	
130 Multijet 2,3 D (F1AGL411D)	Eq.V_ Nutzlast leicht 17Q, Kg. 1700, increased payload	Diesel	FWD	2287	96	131	01.07-	■	
150 Multijet 2,3 D (F1AE3481E)	Eq.V_ Nutzlast leicht 17Q, Kg. 1700, increased payload	Diesel	FWD	2287	109	148	06.11-	■	
150 Multijet 2,3 D (F1AGL411A)	Eq.V_ Nutzlast leicht 17Q, Kg. 1700, increased payload	Diesel	FWD	2287	110	150	04.15-	■	
150 Multijet 2,3 D (F1AGL411C)	Eq.V_ Nutzlast leicht 17Q, Kg. 1700, increased payload	Diesel	FWD	2287	110	150	04.15-	■	
180 Multijet 2,3 D	Eq.V_ Nutzlast leicht 17Q, Kg. 1700, increased payload	Diesel	FWD	2287	130	177	12.15-	■	
150 Multijet 3,0 D (F1CE3481N)	Eq.V_ Nutzlast leicht 17Q, Kg. 1700, increased payload	Diesel	FWD	2999	107	146	04.10-07.14	■	
160 Multijet 3,0 D (F1CE0481D)	Eq.V_ Nutzlast leicht 17Q, Kg. 1700, increased payload	Diesel	FWD	2999	115	156	10.06-05.11	■	
160 Multijet 3,0 D (F1CE0481D)	Kg. 1700	Diesel	FWD	2999	116	158	07.06-05.11	■	
160 Multijet 3,0 D (F1CE3481M)	Kg. 1700	Diesel	FWD	2999	116	158	07.06-05.11	■	
180 Multijet 3,0 D (F1CE3481E)	Eq.V_ Nutzlast leicht 17Q, Kg. 1700, increased payload	Diesel	FWD	2999	130	177	06.11-	■	
140 Natural Power (F1CE0441A)		CNG	FWD	2999	100	136	04.09-	■	

# LISTA DE APLICACIONES - BUYERS GUIDE

140 Natural Power (F1CFA401A)		CNG	FWD	2999	100	136	04.09-	■	
<b>DUCATO III (250_) 07.06-</b>					<b>Platform/Chassis (LCVs-N1 Segment)</b>				
115 Multijet 2,0 D (250 A1.000)	Eq.V_ Nutzlast leicht 17Q, Kg. 1700, increased payload	Diesel	FWD	1956	85	116	06.11-	■	
115 Multijet 2,0 D (250 A2.000)	Eq.V_ Nutzlast leicht 17Q, Kg. 1700, increased payload	Diesel	FWD	1956	85	116	06.11-	■	
100 Multijet 2,2 D (4HV)	Kg. 1700	Diesel	FWD	2198	74	101	07.06-05.11	■	
110 Multijet 2,3 D (F1AE3481G)	Eq.V_ Nutzlast leicht 17Q, Kg. 1700, increased payload	Diesel	FWD	2287	83	113	10.11-07.14	■	
120 Multijet 2,3 D (F1AE0481D)	Kg. 1700	Diesel	FWD	2287	88	120	07.06-	■	
120 Multijet 2,3 D (F1AGL4114)	Kg. 1700	Diesel	FWD	2287	88	120	07.06-	■	
120 Multijet 2,3 D 4x4 (F1AE0481D)	Eq.V_ Nutzlast leicht 17Q, Kg. 1700, increased payload	Diesel	4WD	2287	88	120	03.10-	■	
130 Multijet 2,3 D	Eq.V_ Nutzlast leicht 17Q, Kg. 1700, increased payload	Diesel	FWD	2287	93	126	08.06-	■	
130 Multijet 2,3 D (F1AE0481N)	Eq.V_ Nutzlast leicht 17Q, Kg. 1700, increased payload	Diesel	FWD	2287	96	131	08.06-	■	
130 Multijet 2,3 D (F1AE3481D)	Eq.V_ Nutzlast leicht 17Q, Kg. 1700, increased payload	Diesel	FWD	2287	96	131	08.06-	■	
130 Multijet 2,3 D (F1AGL411D)	Eq.V_ Nutzlast leicht 17Q, Kg. 1700, increased payload	Diesel	FWD	2287	96	131	08.06-	■	
150 Multijet 2,3 D (F1AE3481E)	Eq.V_ Nutzlast leicht 17Q, Kg. 1700, increased payload	Diesel	FWD	2287	109	148	06.11-	■	
150 Multijet 2,3 D (F1AGL411C)	Eq.V_ Nutzlast leicht 17Q, Kg. 1700, increased payload	Diesel	FWD	2287	110	150	12.15-	■	
180 Multijet 2,3 D (F1AGL4111)	Eq.V_ Nutzlast leicht 17Q, Kg. 1700, increased payload	Diesel	FWD	2287	130	177	12.15-	■	
180 Multijet 2,3 D (F1AGL411B)	Eq.V_ Nutzlast leicht 17Q, Kg. 1700, increased payload	Diesel	FWD	2287	130	177	12.15-	■	
150 Multijet 3,0 D (F1CE3481N)	Eq.V_ Nutzlast leicht 17Q, Kg. 1700, increased payload	Diesel	FWD	2999	107	146	04.10-07.14	■	
160 Multijet 3,0 D (F1CE3481M)	Eq.V_ Nutzlast leicht 17Q, Kg. 1700, increased payload	Diesel	FWD	2999	115	156	07.06-05.11	■	
160 Multijet 3,0 D (F1CE0481D)	Kg. 1700	Diesel	FWD	2999	116	158	07.06-05.14	■	
180 Multijet 3,0 D (F1CE3481E)	Eq.V_ Nutzlast leicht 17Q, Kg. 1700, increased payload	Diesel	FWD	2999	130	177	06.11-	■	
140 Natural Power (F1CE0441A)	Eq.V_ Nutzlast leicht 17Q, Kg. 1700, increased payload	CNG	FWD	2999	100	136	04.09-	■	
140 Natural Power (F1CFA401A)	Eq.V_ Nutzlast leicht 17Q, Kg. 1700, increased payload	CNG	FWD	2999	100	136	04.09-	■	
<b>DUCATO III (250_) 07.06-</b>					<b>Van (LCVs-N1 Segment)</b>				
115 Multijet 2,0 D (250 A1.000)	Eq.V_ Nutzlast leicht 17Q, Kg. 1700, increased payload	Diesel	FWD	1956	85	116	06.11-	■	
115 Multijet 2,0 D (250 A2.000)	Eq.V_ Nutzlast leicht 17Q, Kg. 1700, increased payload	Diesel	FWD	1956	85	116	06.11-	■	
100 Multijet 2,2 D (4HV)	Kg. 1700	Diesel	FWD	2198	74	101	07.06-05.11	■	
110 Multijet 2,3 D (F1AE3481G)	Eq.V_ Nutzlast leicht 17Q, Kg. 1700, increased payload	Diesel	FWD	2287	83	113	10.11-07.14	■	
120 Multijet 2,3 D (F1AE0481D)	Kg. 1700	Diesel	FWD	2287	88	120	07.06-	■	
120 Multijet 2,3 D (F1AGL4114)	Kg. 1700	Diesel	FWD	2287	88	120	07.06-	■	
120 Multijet 2,3 D 4x4 (F1AE0481D)	Eq.V_ Nutzlast leicht 17Q, Kg. 1700, increased payload	Diesel	4WD	2287	88	120	03.10-	■	
130 Multijet 2,3 D	Eq.V_ Nutzlast leicht 17Q, Kg. 1700, increased payload	Diesel	FWD	2287	93	126	08.06-12.18	■	
130 Multijet 2,3 D (F1AE0481N)	Eq.V_ Nutzlast leicht 17Q, Kg. 1700, increased payload	Diesel	FWD	2287	96	131	08.06-	■	
130 Multijet 2,3 D (F1AE3481D)	Eq.V_ Nutzlast leicht 17Q, Kg. 1700, increased payload	Diesel	FWD	2287	96	131	08.06-	■	
130 Multijet 2,3 D (F1AGL411D)	Eq.V_ Nutzlast leicht 17Q, Kg. 1700, increased payload	Diesel	FWD	2287	96	131	08.06-	■	
150 Multijet 2,3 D (F1AE3481E)	Eq.V_ Nutzlast leicht 17Q, Kg. 1700, increased payload	Diesel	FWD	2287	109	148	06.11-	■	
150 Multijet 2,3 D (F1AGL411A)	Eq.V_ Nutzlast leicht 17Q, Kg. 1700, increased payload	Diesel	FWD	2287	110	150	12.15-	■	
150 Multijet 2,3 D (F1AGL411C)	Eq.V_ Nutzlast leicht 17Q, Kg. 1700, increased payload	Diesel	FWD	2287	110	150	12.15-	■	

# LISTA DE APLICACIONES - BUYERS GUIDE

180 Multijet 2,3 D (F1AGL4111)	Eq.V_ Nutzlast leicht 17Q, Kg. 1700, increased payload	Diesel	FWD	2287	130	177	12.15-	■
180 Multijet 2,3 D (F1AGL411B)	Eq.V_ Nutzlast leicht 17Q, Kg. 1700, increased payload	Diesel	FWD	2287	130	177	12.15-	■
150 Multijet 3,0 D (F1CE3481N)	Eq.V_ Nutzlast leicht 17Q, Kg. 1700, increased payload	Diesel	FWD	2999	107	146	04.10-07.14	■
160 Multijet 3,0 D (F1CE3481M)	Eq.V_ Nutzlast leicht 17Q, Kg. 1700, increased payload	Diesel	FWD	2999	115	156	07.06-12.11	■
160 Multijet 3,0 D (F1CE0481D)	Kg. 1700	Diesel	FWD	2999	116	158	07.06-05.11	■
180 Multijet 3,0 D (F1CE3481E)	Eq.V_ Nutzlast leicht 17Q, Kg. 1700, increased payload	Diesel	FWD	2999	130	177	06.11-	■
140 Natural Power (F1CE0441A)		CNG	FWD	2999	100	136	04.09-	■
140 Natural Power (F1CFA401A)		CNG	FWD	2999	100	136	04.09-	■

## OPEL

<b>MOVANO C (U9, X250) 12.21-</b>				<b>Platform/Chassis (LCVs-N1 Segment)</b>				
2.2 D		Diesel	FWD	2179	88	120	12.21-10.23	■
2.2 D		Diesel	FWD	2179	103	140	12.21-10.23	■
2.2 D		Diesel	FWD	2179	121	165	12.21-10.23	■
<b>MOVANO C (U9, X250) 12.21-</b>				<b>Van (LCVs-N1 Segment)</b>				
2.2 D		Diesel	FWD	2179	88	120	12.21-10.23	■
2.2 D		Diesel	FWD	2179	103	140	12.21-10.23	■
2.2 D		Diesel	FWD	2179	121	165	12.21-10.23	■

## PEUGEOT

<b>BOXER III / MANAGER 09.05-</b>				<b>Bus (Minibus-M2-Segment)</b>				
2.0 BlueHdi 110 (AHM (DW10FUE))	Kg. 1700	Diesel	FWD	1997	81	110	07.15-09.19	■
2.0 BlueHdi 130 (AHN (DW10FUD))	Kg. 1700	Diesel	FWD	1997	96	130	07.15-09.19	■
2.0 BlueHdi 160 (AHP (DW10FUC))	Kg. 1700	Diesel	FWD	1997	120	163	07.15-09.19	■
2.2 HDi 100 (4HV (P22DTE))	Kg. 1700	Diesel	FWD	2198	74	101	04.06-	■
2.2 HDi 110 (4HG (P22DTE))	Eq.V_ Nutzlast leicht 16Q, Kg. 1600, increased payload	Diesel	FWD	2198	81	110	03.11-12.20	■
2.2 HDi 120 (4HU (P22DTE))	Kg. 1700	Diesel	FWD	2198	88	120	04.06-12.16	■
2.2 HDi 130 (4HH (P22DTE))	Eq.V_ Nutzlast leicht 16Q, Kg. 1600, increased payload	Diesel	FWD	2198	96	131	03.11-	■
2.2 HDi 150 (4HJ (P22DTE))	Eq.V_ Nutzlast leicht 16Q, Kg. 1600, increased payload	Diesel	FWD	2198	110	150	03.11-	■
2.8 HDI		Diesel	FWD	2798	93	127	09.05-09.09	■
3.0 HDi 145 (F1CE3481N (F30DTE))	Kg. 1700, not heavy duty chas.	Diesel	FWD	2999	107	146	04.10-12.13	■
3.0 HDi 160 (F1CE0481D (F30DT))	Kg. 1700	Diesel	FWD	2999	115	156	04.06-12.15	■
3.0 HDi 175 (F1CE3481E (F30DTE))	Eq.V_ Nutzlast leicht 16Q, Kg. 1600, increased payload	Diesel	FWD	2999	130	177	03.11-	■

<b>BOXER III / MANAGER 04.06-</b>				<b>Platform/Chassis (LCVs-N1 Segment)</b>				
2.0 BlueHdi 110 (AHM (DW10FUE))	Kg. 1700	Diesel	FWD	1997	81	110	03.16-09.19	■
2.0 BlueHdi 130 (AHN (DW10FUD))	Kg. 1700	Diesel	FWD	1997	96	130	03.16-09.19	■
2.0 BlueHdi 160 (AHP (DW10FUC))	Kg. 1700	Diesel	FWD	1997	120	163	03.16-12.23	■
2.2 HDi 100 (4HV (P22DTE))	Kg. 1700	Diesel	FWD	2198	74	101	04.06-	■
2.2 HDi 110 (4HG (P22DTE))	Eq.V_ Nutzlast leicht 16Q, Kg. 1600, increased payload	Diesel	FWD	2198	81	110	03.11-12.20	■
2.2 HDi 120 (4HU (P22DTE))	Kg. 1700	Diesel	FWD	2198	88	120	04.06-12.16	■
2.2 HDi 130 (4HH (P22DTE))	Eq.V_ Nutzlast leicht 16Q, Kg. 1600, increased payload	Diesel	FWD	2198	96	131	04.06-	■
2.2 HDi 130		Diesel	4WD	2198	96	130	03.11-	■
2.2 HDi 150 (4HJ (P22DTE))	Eq.V_ Nutzlast leicht 16Q, Kg. 1600, increased payload	Diesel	FWD	2198	110	150	03.11-	■
2.2 HDi 150		Diesel	4WD	2198	110	150	03.11-	■
3.0 HDi 145 (F1CE3481N (F30DTE))	Kg. 1700, not heavy duty chas.	Diesel	FWD	2999	107	146	04.10-12.13	■
3.0 HDi 155 (F1CE0481D (F30DT))	Kg. 1700	Diesel	FWD	2999	115	156	04.06-12.15	■

# LISTA DE APLICACIONES - BUYERS GUIDE

3.0 HDi 160 (F1CE0481D (F30DT))	Kg. 1700	Diesel	FWD	2999	116	156	04.06-12.15	■	
3.0 HDi 175 (F1CE3481E (F30DTE))	Eq.V_ Nutzlast leicht 16Q, Kg. 1600, increased payload	Diesel	FWD	2999	130	177	03.11-	■	
<b>BOXER III / MANAGER 04.06-</b>					<b>Van (LCVs-N1 Segment)</b>				
2.0 BlueHdi 110 (AHM (DW10FUE))	Kg. 1700	Diesel	FWD	1997	81	110	03.16-09.19	■	
2.0 BlueHdi 130 (AHN (DW10FUD))	Kg. 1700	Diesel	FWD	1997	96	130	03.16-09.19	■	
2.0 BlueHdi 160 (AHP (DW10FUC))	Kg. 1700	Diesel	FWD	1997	120	163	03.16-12.23	■	
2.2 HDi 100 (4HV (P22DTE))		Diesel	FWD	2198	74	101	04.06-	■	
2.2 HDi 110 (4HG (P22DTE))	Eq.V_ Nutzlast leicht 16Q, Kg. 1600, increased payload	Diesel	FWD	2198	81	110	03.11-12.20	■	
2.2 HDi 120 (4HU (P22DTE))	Kg. 1700	Diesel	FWD	2198	88	120	04.06-12.16	■	
2.2 HDi 130 (4HH (P22DTE))	Eq.V_ Nutzlast leicht 16Q, Kg. 1600, increased payload	Diesel	FWD	2198	96	131	03.11-	■	
2.2 HDi 150 (4HJ (P22DTE))	Eq.V_ Nutzlast leicht 16Q, Kg. 1600, increased payload	Diesel	FWD	2198	110	150	03.11-	■	
3.0 HDi 145 (F1CE3481N (F30DTE))	Kg. 1700, not heavy duty chas.	Diesel	FWD	2999	107	146	04.10-12.13	■	
3.0 HDi 155 (F1CE0481D (F30DT))	Kg. 1700	Diesel	FWD	2999	115	156	07.06-12.15	■	
3.0 HDi 160 (F1CE0481D (F30DT))	Kg. 1700	Diesel	FWD	2999	116	156	04.06-12.15	■	
3.0 HDi 175 (F1CE3481E (F30DTE))	Eq.V_ Nutzlast leicht 16Q, Kg. 1600, increased payload	Diesel	FWD	2999	130	177	03.11-	■	
<b>VAUXHALL</b>									
<b>MOVANO Mk III © (U9, X250) 12.21-</b>					<b>Platform/Chassis (LCVs-N1 Segment)</b>				
2.2 D		Diesel	FWD	2179	103	140	12.21-04.25	■	
2.2 D		Diesel	FWD	2179	121	165	12.22-10.23	■	
<b>MOVANO Mk III © (U9, X250) 12.21-</b>					<b>Van (LCVs-N1 Segment)</b>				
2.2 D		Diesel	FWD	2179	88	120	12.22-10.23	■	
2.2 D		Diesel	FWD	2179	103	140	12.21-10.23	■	
2.2 D		Diesel	FWD	2179	121	165	12.21-10.23	■	