

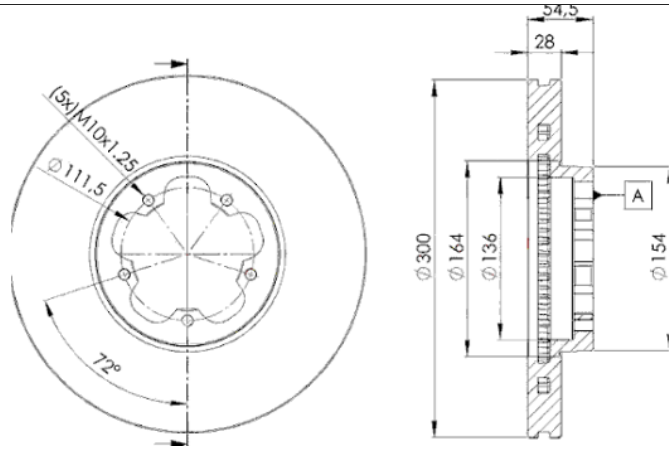
LISTA DE APLICACIONES - BUYERS GUIDE

**78BD5630-2**



Weight: 18.152

O.E.M.	MAKE
1 371 393	FORD
1 503 287	FORD
6C11-1125-AA	FORD
6C11-1125-AB	FORD



**78BD5630-2**

**E1 90R-02C0538/0082**



Ø300x28x54.5

MAKE
FORD



Trac.	CC	Kw	CV
-------	----	----	----



Front / Rear

**FORD**

TRANSIT V (FD_, FB_, FS_, FZ_, FC_) 04.06-							Bus (Minibus-M2-Segment)		
2.2 TDCi (DRFA)		Diesel	FWD	2198	74	100	10.11-08.14	■	
2.2 TDCi (DRFB)		Diesel	FWD	2198	74	100	10.11-08.14	■	
2.2 TDCi (DRFC)		Diesel	FWD	2198	74	100	10.11-08.14	■	
2.2 TDCi (DRFD)		Diesel	FWD	2198	74	100	10.11-08.14	■	
2.2 TDCi (DRFE)		Diesel	FWD	2198	74	100	10.11-08.14	■	
2.2 TDCi RWD (DRRA)		Diesel	RWD	2198	74	100	10.11-08.14	■	
2.2 TDCi RWD (DRRB)		Diesel	RWD	2198	74	100	10.11-08.14	■	
2.2 TDCi RWD (DRRC)		Diesel	RWD	2198	74	100	10.11-08.14	■	
2.2 TDCi (QVFA)	increased payload	Diesel	FWD	2198	81	110	04.06-08.14	■	
2.2 TDCi (SRFA)	increased payload	Diesel	FWD	2198	85	115	10.08-08.14	■	
2.2 TDCi (SRFB)	increased payload	Diesel	FWD	2198	85	115	10.08-08.14	■	
2.2 TDCi (SRFC)	increased payload	Diesel	FWD	2198	85	115	10.08-08.14	■	
2.2 TDCi (SRFD)	increased payload	Diesel	FWD	2198	85	115	10.08-08.14	■	
2.2 TDCi (SRFE)	increased payload	Diesel	FWD	2198	85	115	10.08-08.14	■	
2.2 TDCi (CYFA)		Diesel	FWD	2198	92	125	10.11-08.14	■	
2.2 TDCi (CYFB)		Diesel	FWD	2198	92	125	10.11-08.14	■	
2.2 TDCi (CYFC)		Diesel	FWD	2198	92	125	10.11-08.14	■	
2.2 TDCi (CYFD)		Diesel	FWD	2198	92	125	10.11-08.14	■	
2.2 TDCi RWD (CYRA)		Diesel	RWD	2198	92	125	09.11-12.14	■	
2.2 TDCi (QWFA)	increased payload	Diesel	FWD	2198	96	130	04.06-08.14	■	
2.2 TDCi RWD (USRA)		Diesel	RWD	2198	100	135	09.11-08.14	■	
2.2 TDCi RWD (USRB)		Diesel	RWD	2198	100	135	09.11-08.14	■	
2.2 TDCi (PGFA)	increased payload	Diesel	FWD	2198	103	140	10.07-08.14	■	

# LISTA DE APLICACIONES - BUYERS GUIDE

2.2 TDCi (PGFB)	increased payload	Diesel	FWD	2198	103	140	10.07-08.14	■
2.2 TDCi (UHFA)	increased payload	Diesel	FWD	2198	103	140	10.07-08.14	■
2.2 TDCi (UHFB)	increased payload	Diesel	FWD	2198	103	140	10.07-08.14	■
2.2 TDCi (UHFC)	increased payload	Diesel	FWD	2198	103	140	10.07-08.14	■
2.4 TDCi (PHFA)		Diesel	RWD	2402	74	100	04.06-08.14	■
2.4 TDCi (PHFC)		Diesel	RWD	2402	74	100	04.06-08.14	■
2.4 TDCi (JXFA)		Diesel	RWD	2402	85	115	04.06-08.14	■
2.4 TDCi (JXFC)		Diesel	RWD	2402	85	115	04.06-08.14	■
2.4 TDCi (H9FD)		Diesel	RWD	2402	103	140	04.06-08.14	■
2.4 TDCi 4x4 (H9FB)		Diesel	4WD	2402	103	140	11.06-08.14	■
3.2 TDCi (SAFA)		Diesel	RWD	3199	147	200	02.08-08.14	■
3.2 TDCi (SAFB)		Diesel	RWD	3199	147	200	02.08-08.14	■
<b>TRANSIT V (FM_-, FN_-, FF_-) 04.06-12.14</b>							<b>Platform/Chassis (LCVs-N1 Segment)</b>	
2.3 16V RWD (GZFA)		Gasolina	RWD	2261	107	145	04.06-08.14	■
2.3 16V RWD (GZFB)		Gasolina	RWD	2261	107	145	04.06-08.14	■
2.3 16V RWD (GZFC)		Gasolina	RWD	2261	107	145	04.06-08.14	■
2.3 16V LPG RWD (GZFC)		Gasol./Gas (LPG)	RWD	2261	107	145	04.06-08.14	■
2.3 16V CNG RWD (GZFC)		Gasol./Gas (CNG)	RWD	2261	100	136	04.06-08.14	■
2.2 TDCi (DRFA)		Diesel	FWD	2198	74	100	10.11-08.14	■
2.2 TDCi (DRFB)		Diesel	FWD	2198	74	100	10.11-08.14	■
2.2 TDCi (DRFC)		Diesel	FWD	2198	74	100	10.11-08.14	■
2.2 TDCi (DRFD)		Diesel	FWD	2198	74	100	10.11-08.14	■
2.2 TDCi (DRFE)		Diesel	FWD	2198	74	100	10.11-08.14	■
2.2 TDCi RWD (DRRA)		Diesel	RWD	2198	74	100	10.11-08.14	■
2.2 TDCi RWD (DRRB)		Diesel	RWD	2198	74	100	10.11-08.14	■
2.2 TDCi RWD (DRRC)		Diesel	RWD	2198	74	100	10.11-08.14	■
2.2 TDCi (QVFA)	increased payload	Diesel	FWD	2198	81	110	04.06-08.14	■
2.2 TDCi (SRFA)	increased payload	Diesel	FWD	2198	85	115	10.08-08.14	■
2.2 TDCi (SRFB)	increased payload	Diesel	FWD	2198	85	115	10.08-08.14	■
2.2 TDCi (SRFC)	increased payload	Diesel	FWD	2198	85	115	10.08-08.14	■
2.2 TDCi (SRFD)	increased payload	Diesel	FWD	2198	85	115	10.08-08.14	■
2.2 TDCi (SRFE)	increased payload	Diesel	FWD	2198	85	115	10.08-08.14	■
2.2 TDCi (CYFA)		Diesel	FWD	2198	92	125	10.11-08.14	■
2.2 TDCi (CYFB)		Diesel	FWD	2198	92	125	10.11-08.14	■
2.2 TDCi (CYFC)		Diesel	FWD	2198	92	125	10.11-08.14	■
2.2 TDCi (CYFD)		Diesel	FWD	2198	92	125	10.11-08.14	■
2.2 TDCi 4x4 (CYRB)		Diesel	4WD	2198	92	125	10.11-08.14	■
2.2 TDCi 4x4 (CYRC)		Diesel	4WD	2198	92	125	10.11-08.14	■
2.2 TDCi RWD (CYRA)		Diesel	RWD	2198	92	125	10.11-08.14	■
2.2 TDCi (QWFA)	increased payload	Diesel	FWD	2198	96	130	04.06-08.14	■
2.2 TDCi (PGFA)	increased payload	Diesel	FWD	2198	103	140	10.07-08.14	■
2.2 TDCi (PGFB)	increased payload	Diesel	FWD	2198	103	140	10.07-08.14	■
2.2 TDCi (UHFA)	increased payload	Diesel	FWD	2198	103	140	10.07-08.14	■
2.2 TDCi (UHFB)	increased payload	Diesel	FWD	2198	103	140	10.07-08.14	■
2.2 TDCi (UHFC)	increased payload	Diesel	FWD	2198	103	140	10.07-08.14	■
2.2 TDCi RWD (CVRA)		Diesel	RWD	2198	114	155	10.11-08.14	■
2.2 TDCi RWD (CVRB)		Diesel	RWD	2198	114	155	10.11-08.14	■
2.2 TDCi RWD (CVRC)		Diesel	RWD	2198	114	155	10.11-08.14	■
2.4 TDCi RWD (PHFA)		Diesel	RWD	2402	74	100	04.06-08.14	■

# LISTA DE APLICACIONES - BUYERS GUIDE

2.4 TDCi RWD (PHFC)		Diesel	RWD	2402	74	100	04.06-08.14	■	
2.4 TDCi RWD (JXFA)		Diesel	RWD	2402	85	115	04.06-08.14	■	
2.4 TDCi RWD (JXFC)		Diesel	RWD	2402	85	115	04.06-08.14	■	
2.4 TDCi 4x4 (H9FB)		Diesel	4WD	2402	103	140	11.06-08.14	■	
2.4 TDCi RWD (H9FD)		Diesel	RWD	2402	103	140	04.06-08.14	■	
3.2 TDCi RWD (SAFA)		Diesel	RWD	3199	147	200	09.07-08.14	■	
3.2 TDCi RWD (SAFB)		Diesel	RWD	3199	147	200	09.07-08.14	■	
<b>TRANSIT V (FA_ ) 04.06-</b>							<b>Van (LCVs-N1 Segment)</b>		
2.3 16V RWD (GZFA)		Gasolina	RWD	2261	107	145	04.06-08.14	■	
2.3 16V RWD (GZFB)		Gasolina	RWD	2261	107	145	04.06-08.14	■	
2.3 16V RWD (GZFC)		Gasolina	RWD	2261	107	145	04.06-08.14	■	
2.3 16V LPG RWD (GZFC)		Gasol./Gas (LPG)	RWD	2261	107	145	04.06-08.14	■	
2.3 16V CNG RWD (GZFC)		Gasol./Gas (CNG)	RWD	2261	100	136	04.06-08.14	■	
2.2 TDCi (DRFA)		Diesel	FWD	2198	74	100	10.11-08.14	■	
2.2 TDCi (DRFB)		Diesel	FWD	2198	74	100	10.11-08.14	■	
2.2 TDCi (DRFC)		Diesel	FWD	2198	74	100	10.11-08.14	■	
2.2 TDCi (DRFD)		Diesel	FWD	2198	74	100	10.11-08.14	■	
2.2 TDCi (DRFE)		Diesel	FWD	2198	74	100	10.11-08.14	■	
2.2 TDCi RWD (DRRA)		Diesel	RWD	2198	74	100	10.11-08.14	■	
2.2 TDCi RWD (DRRB)		Diesel	RWD	2198	74	100	10.11-08.14	■	
2.2 TDCi RWD (DRRC)		Diesel	RWD	2198	74	100	10.11-08.14	■	
2.2 TDCi (QVFA)	increased payload	Diesel	FWD	2198	81	110	04.06-08.14	■	
2.2 TDCi (SRFA)	increased payload	Diesel	FWD	2198	85	115	10.08-08.14	■	
2.2 TDCi (SRFB)	increased payload	Diesel	FWD	2198	85	115	10.08-08.14	■	
2.2 TDCi (SRFC)	increased payload	Diesel	FWD	2198	85	115	10.08-08.14	■	
2.2 TDCi (SRFD)	increased payload	Diesel	FWD	2198	85	115	10.08-08.14	■	
2.2 TDCi (SRFE)	increased payload	Diesel	FWD	2198	85	115	10.08-08.14	■	
2.2 TDCi (CYFA)		Diesel	FWD	2198	92	125	10.11-08.14	■	
2.2 TDCi (CYFB)		Diesel	FWD	2198	92	125	10.11-08.14	■	
2.2 TDCi (CYFC)		Diesel	FWD	2198	92	125	10.11-08.14	■	
2.2 TDCi (CYFD)		Diesel	FWD	2198	92	125	10.11-08.14	■	
2.2 TDCi 4x4 (CYRB)		Diesel	4WD	2198	92	125	10.11-08.14	■	
2.2 TDCi 4x4 (CYRC)		Diesel	4WD	2198	92	125	10.11-08.14	■	
2.2 TDCi RWD (CYRA)		Diesel	RWD	2198	92	125	09.11-12.14	■	
2.2 TDCi (QWFA)	increased payload	Diesel	FWD	2198	96	130	04.06-08.14	■	
2.2 TDCi RWD (USRA)		Diesel	RWD	2198	100	136	10.11-08.14	■ ■	
2.2 TDCi RWD (USRB)		Diesel	RWD	2198	100	136	10.11-08.14	■ ■	
2.2 TDCi (PGFA)	increased payload	Diesel	FWD	2198	103	140	10.07-08.14	■	
2.2 TDCi (PGFB)	increased payload	Diesel	FWD	2198	103	140	10.07-08.14	■	
2.2 TDCi (UHFA)	increased payload	Diesel	FWD	2198	103	140	10.07-08.14	■	
2.2 TDCi (UHFB)	increased payload	Diesel	FWD	2198	103	140	10.07-08.14	■	
2.2 TDCi (UHFC)	increased payload	Diesel	FWD	2198	103	140	10.07-08.14	■	
2.2 TDCi RWD (CVRA)		Diesel	RWD	2198	114	155	10.11-08.14	■	
2.2 TDCi RWD (CVRB)		Diesel	RWD	2198	114	155	10.11-08.14	■	
2.2 TDCi RWD (CVRC)		Diesel	RWD	2198	114	155	10.11-08.14	■	
2.4 TDCi RWD (PHFA)		Diesel	RWD	2402	74	100	04.06-08.14	■	
2.4 TDCi RWD (PHFC)		Diesel	RWD	2402	74	100	04.06-08.14	■	
2.4 TDCi RWD (JXFA)		Diesel	RWD	2402	85	115	04.06-08.14	■	
2.4 TDCi RWD (JXFC)		Diesel	RWD	2402	85	115	04.06-08.14	■	
2.4 TDCi 4x4 (H9FB)		Diesel	4WD	2402	103	140	11.06-08.14	■	

## LISTA DE APLICACIONES - BUYERS GUIDE

2.4 TDCi RWD (H9FB)		Diesel	RWD	2402	103	140	04.06-08.14	■	
2.4 TDCi RWD (H9FD)		Diesel	RWD	2402	103	140	04.06-08.14	■	
3.2 TDCi RWD (SAFA)		Diesel	RWD	3199	147	200	09.07-08.14	■	
3.2 TDCi RWD (SAFB)		Diesel	RWD	3199	147	200	09.07-08.14	■	
<b>TRANSIT TOURNEO III 07.06-08.14</b>						<b>Bus (Minibus-M2-Segment)</b>			
2.2 (CYFA)		Diesel	FWD	2198	92	125	10.11-08.14	■	
2.2 (CYFB)		Diesel	FWD	2198	92	125	10.11-08.14	■	
2.2 (CYFC)		Diesel	FWD	2198	92	125	10.11-08.14	■	
2.2 (CYFD)		Diesel	FWD	2198	92	125	10.11-08.14	■	