

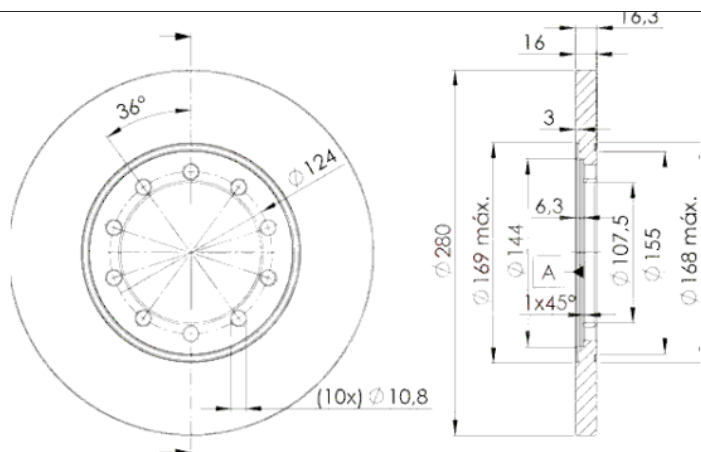
LISTA DE APLICACIONES - BUYERS GUIDE

78BD5631-2



Weight: 11.232

O.E.M.	MAKE
1 371 420	FORD
1 464 031	FORD



78BD5631-2

E1 90R-02C0415/0093



Ø280x16x16.3

MAKE
FORD



Trac.	CC	Kw	CV
-------	----	----	----



Front / Rear

FORD

TRANSIT V (FD_ , FB_ , FS_ , FZ_ , FC_) 04.06-

Bus (Minibus-M2-Segment)

2.2 TDCi (P8FA)	Diesel	FWD	2198	63	85	04.06-08.14	■
2.2 TDCi (P8FB)	Diesel	FWD	2198	63	85	04.06-08.14	■
2.2 TDCi (DRFA)	Diesel	FWD	2198	74	100	10.11-08.14	■
2.2 TDCi (DRFB)	Diesel	FWD	2198	74	100	10.11-08.14	■
2.2 TDCi (DRFC)	Diesel	FWD	2198	74	100	10.11-08.14	■
2.2 TDCi (DRFD)	Diesel	FWD	2198	74	100	10.11-08.14	■
2.2 TDCi (DRFE)	Diesel	FWD	2198	74	100	10.11-08.14	■
2.2 TDCi RWD (DRRA)	Diesel	RWD	2198	74	100	10.11-08.14	■
2.2 TDCi RWD (DRRB)	Diesel	RWD	2198	74	100	10.11-08.14	■
2.2 TDCi RWD (DRRC)	Diesel	RWD	2198	74	100	10.11-08.14	■
2.2 TDCi (QVFA)	Diesel	FWD	2198	81	110	04.06-08.14	■
2.2 TDCi (SRFA)	Diesel	FWD	2198	85	115	10.08-08.14	■
2.2 TDCi (SRFB)	Diesel	FWD	2198	85	115	10.08-08.14	■
2.2 TDCi (SRFC)	Diesel	FWD	2198	85	115	10.08-08.14	■
2.2 TDCi (SRFD)	Diesel	FWD	2198	85	115	10.08-08.14	■
2.2 TDCi (SRFE)	Diesel	FWD	2198	85	115	10.08-08.14	■
2.2 TDCi (CYFA)	Diesel	FWD	2198	92	125	10.11-08.14	■
2.2 TDCi (CYFB)	Diesel	FWD	2198	92	125	10.11-08.14	■
2.2 TDCi (CYFC)	Diesel	FWD	2198	92	125	10.11-08.14	■
2.2 TDCi (CYFD)	Diesel	FWD	2198	92	125	10.11-08.14	■
2.2 TDCi RWD (CYRA)	Diesel	RWD	2198	92	125	09.11-12.14	■
2.2 TDCi (QWFA)	Diesel	FWD	2198	96	130	04.06-08.14	■
2.2 TDCi RWD (USRA)	Diesel	RWD	2198	100	135	09.11-08.14	■

LISTA DE APLICACIONES - BUYERS GUIDE

2.2 TDCi RWD (USRB)		Diesel	RWD	2198	100	135	09.11-08.14	■	
2.2 TDCi (PGFA)		Diesel	FWD	2198	103	140	10.07-08.14	■	
2.2 TDCi (PGFB)		Diesel	FWD	2198	103	140	10.07-08.14	■	
2.2 TDCi (UHFA)		Diesel	FWD	2198	103	140	10.07-08.14	■	
2.2 TDCi (UHFB)		Diesel	FWD	2198	103	140	10.07-08.14	■	
2.2 TDCi (UHFC)		Diesel	FWD	2198	103	140	10.07-08.14	■	
TRANSIT V (FM_ , FN_ , FF_) 04.06-12.14							Platform/Chassis (LCVs-N1 Segment)		
2.3 16V LPG RWD (GZFC)		Gasol./Gas (LPG)	RWD	2261	107	145	04.06-08.14	■	
2.3 16V CNG RWD (GZFC)		Gasol./Gas (CNG)	RWD	2261	100	136	04.06-08.14	■	
2.2 TDCi (P8FA)		Diesel	FWD	2198	63	85	04.06-08.14	■	
2.2 TDCi (P8FB)		Diesel	FWD	2198	63	85	04.06-08.14	■	
2.2 TDCi (DRFA)		Diesel	FWD	2198	74	100	10.11-08.14	■	
2.2 TDCi (DRFB)		Diesel	FWD	2198	74	100	10.11-08.14	■	
2.2 TDCi (DRFC)		Diesel	FWD	2198	74	100	10.11-08.14	■	
2.2 TDCi (DRFD)		Diesel	FWD	2198	74	100	10.11-08.14	■	
2.2 TDCi (DRFE)		Diesel	FWD	2198	74	100	10.11-08.14	■	
2.2 TDCi RWD (DRRA)		Diesel	RWD	2198	74	100	10.11-08.14	■	
2.2 TDCi RWD (DRRB)		Diesel	RWD	2198	74	100	10.11-08.14	■	
2.2 TDCi RWD (DRRC)		Diesel	RWD	2198	74	100	10.11-08.14	■	
2.2 TDCi (QVFA)		Diesel	FWD	2198	81	110	04.06-08.14	■	
2.2 TDCi (SRFA)		Diesel	FWD	2198	85	115	10.08-08.14	■	
2.2 TDCi (SRFB)		Diesel	FWD	2198	85	115	10.08-08.14	■	
2.2 TDCi (SRFC)		Diesel	FWD	2198	85	115	10.08-08.14	■	
2.2 TDCi (SRFD)		Diesel	FWD	2198	85	115	10.08-08.14	■	
2.2 TDCi (SRFE)		Diesel	FWD	2198	85	115	10.08-08.14	■	
2.2 TDCi (CYFA)		Diesel	FWD	2198	92	125	10.11-08.14	■	
2.2 TDCi (CYFB)		Diesel	FWD	2198	92	125	10.11-08.14	■	
2.2 TDCi (CYFC)		Diesel	FWD	2198	92	125	10.11-08.14	■	
2.2 TDCi (CYFD)		Diesel	FWD	2198	92	125	10.11-08.14	■	
2.2 TDCi 4x4 (CYRB)		Diesel	4WD	2198	92	125	10.11-08.14	■	
2.2 TDCi 4x4 (CYRC)		Diesel	4WD	2198	92	125	10.11-08.14	■	
2.2 TDCi RWD (CYRA)		Diesel	RWD	2198	92	125	10.11-08.14	■	
2.2 TDCi (QWFA)		Diesel	FWD	2198	96	130	04.06-08.14	■	
2.2 TDCi (PGFA)		Diesel	FWD	2198	103	140	10.07-08.14	■	
2.2 TDCi (PGFB)		Diesel	FWD	2198	103	140	10.07-08.14	■	
2.2 TDCi (UHFA)		Diesel	FWD	2198	103	140	10.07-08.14	■	
2.2 TDCi (UHFB)		Diesel	FWD	2198	103	140	10.07-08.14	■	
2.2 TDCi (UHFC)		Diesel	FWD	2198	103	140	10.07-08.14	■	
2.2 TDCi RWD (CVRA)		Diesel	RWD	2198	114	155	10.11-08.14	■	
2.2 TDCi RWD (CVRB)		Diesel	RWD	2198	114	155	10.11-08.14	■	
2.2 TDCi RWD (CVRC)		Diesel	RWD	2198	114	155	10.11-08.14	■	
TRANSIT V (FA_) 04.06-							Van (LCVs-N1 Segment)		
2.3 16V LPG RWD (GZFC)		Gasol./Gas (LPG)	RWD	2261	107	145	04.06-08.14	■	
2.3 16V CNG RWD (GZFC)		Gasol./Gas (CNG)	RWD	2261	100	136	04.06-08.14	■	
2.2 TDCi (P8FA)		Diesel	FWD	2198	63	85	04.06-08.14	■	
2.2 TDCi (P8FB)		Diesel	FWD	2198	63	85	04.06-08.14	■	
2.2 TDCi (DRFA)		Diesel	FWD	2198	74	100	10.11-08.14	■	

LISTA DE APLICACIONES - BUYERS GUIDE

2.2 TDCi (DRFB)		Diesel	FWD	2198	74	100	10.11-08.14	■
2.2 TDCi (DRFC)		Diesel	FWD	2198	74	100	10.11-08.14	■
2.2 TDCi (DRFD)		Diesel	FWD	2198	74	100	10.11-08.14	■
2.2 TDCi (DRFE)		Diesel	FWD	2198	74	100	10.11-08.14	■
2.2 TDCi RWD (DRRA)		Diesel	RWD	2198	74	100	10.11-08.14	■
2.2 TDCi RWD (DRRB)		Diesel	RWD	2198	74	100	10.11-08.14	■
2.2 TDCi RWD (DRRC)		Diesel	RWD	2198	74	100	10.11-08.14	■
2.2 TDCi (QVFA)		Diesel	FWD	2198	81	110	04.06-08.14	■
2.2 TDCi (SRFA)		Diesel	FWD	2198	85	115	10.08-08.14	■
2.2 TDCi (SRFB)		Diesel	FWD	2198	85	115	10.08-08.14	■
2.2 TDCi (SRFC)		Diesel	FWD	2198	85	115	10.08-08.14	■
2.2 TDCi (SRFD)		Diesel	FWD	2198	85	115	10.08-08.14	■
2.2 TDCi (SRFE)		Diesel	FWD	2198	85	115	10.08-08.14	■
2.2 TDCi (CYFA)		Diesel	FWD	2198	92	125	10.11-08.14	■
2.2 TDCi (CYFB)		Diesel	FWD	2198	92	125	10.11-08.14	■
2.2 TDCi (CYFC)		Diesel	FWD	2198	92	125	10.11-08.14	■
2.2 TDCi (CYFD)		Diesel	FWD	2198	92	125	10.11-08.14	■
2.2 TDCi 4x4 (CYRB)		Diesel	4WD	2198	92	125	10.11-08.14	■
2.2 TDCi 4x4 (CYRC)		Diesel	4WD	2198	92	125	10.11-08.14	■
2.2 TDCi RWD (CYRA)		Diesel	RWD	2198	92	125	09.11-12.14	■
2.2 TDCi (QWFA)		Diesel	FWD	2198	96	130	04.06-08.14	■
2.2 TDCi RWD (USRA)		Diesel	RWD	2198	100	136	10.11-08.14	■
2.2 TDCi RWD (USRB)		Diesel	RWD	2198	100	136	10.11-08.14	■
2.2 TDCi (PGFA)		Diesel	FWD	2198	103	140	10.07-08.14	■
2.2 TDCi (PGFB)		Diesel	FWD	2198	103	140	10.07-08.14	■
2.2 TDCi (UHFA)		Diesel	FWD	2198	103	140	10.07-08.14	■
2.2 TDCi (UHFB)		Diesel	FWD	2198	103	140	10.07-08.14	■
2.2 TDCi (UHFC)		Diesel	FWD	2198	103	140	10.07-08.14	■
2.2 TDCi RWD (CVRA)		Diesel	RWD	2198	114	155	10.11-08.14	■
2.2 TDCi RWD (CVRB)		Diesel	RWD	2198	114	155	10.11-08.14	■
2.2 TDCi RWD (CVRC)		Diesel	RWD	2198	114	155	10.11-08.14	■