

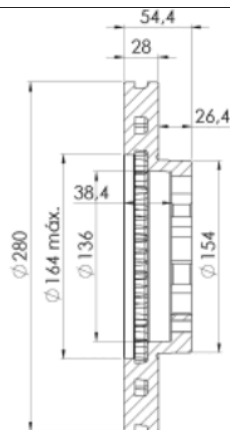
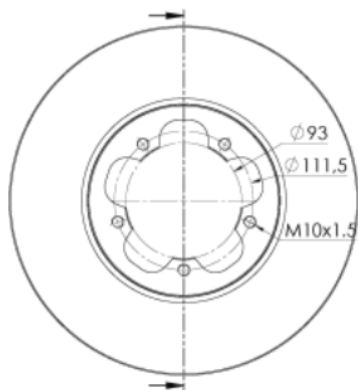
LISTA DE APLICACIONES - BUYERS GUIDE

78BD5632-2



Weight: 15.220

O.E.M.	MAKE
1371394	FORD
1503290	FORD
1547061	FORD



78BD5632-2



Ø280x28x54.6

MAKE
FORD



Trac.	CC	Kw	CV
-------	----	----	----



Front / Rear

FORD

TRANSIT V (FD\_, FB\_, FS\_, FZ\_, FC\_) 04.06-

Bus (Minibus-M2-Segment)

2.2 TDCi (P8FA)	Type 260/280/300	Diesel	FWD	2198	63	85	04.06-08.14	■
2.2 TDCi (P8FB)	Type 260/280/300	Diesel	FWD	2198	63	85	04.06-08.14	■
2.2 TDCi (DRFA)	Type 260/280/300	Diesel	FWD	2198	74	100	10.11-08.14	■
2.2 TDCi (DRFB)	Type 260/280/300	Diesel	FWD	2198	74	100	10.11-08.14	■
2.2 TDCi (DRFC)	Type 260/280/300	Diesel	FWD	2198	74	100	10.11-08.14	■
2.2 TDCi (DRFD)	Type 260/280/300	Diesel	FWD	2198	74	100	10.11-08.14	■
2.2 TDCi (DRFE)	Type 260/280/300	Diesel	FWD	2198	74	100	10.11-08.14	■
2.2 TDCi (QVFA)	Type 260/280/300	Diesel	FWD	2198	81	110	04.06-08.14	■
2.2 TDCi (SRFA)	Type 260/280/300	Diesel	FWD	2198	85	115	10.08-08.14	■
2.2 TDCi (SRFB)	Type 260/280/300	Diesel	FWD	2198	85	115	10.08-08.14	■
2.2 TDCi (SRFC)	Type 260/280/300	Diesel	FWD	2198	85	115	10.08-08.14	■
2.2 TDCi (SRFD)	Type 260/280/300	Diesel	FWD	2198	85	115	10.08-08.14	■
2.2 TDCi (SRFE)	Type 260/280/300	Diesel	FWD	2198	85	115	10.08-08.14	■
2.2 TDCi (CYFA)	Type 260/280/300	Diesel	FWD	2198	92	125	10.11-08.14	■
2.2 TDCi (CYFB)	Type 260/280/300	Diesel	FWD	2198	92	125	10.11-08.14	■
2.2 TDCi (CYFC)	Type 260/280/300	Diesel	FWD	2198	92	125	10.11-08.14	■
2.2 TDCi (CYFD)	Type 260/280/300	Diesel	FWD	2198	92	125	10.11-08.14	■
2.2 TDCi (QWFA)	Type 260/280/300	Diesel	FWD	2198	96	130	04.06-08.14	■
2.2 TDCi (PGFA)	Type 260/280/300	Diesel	FWD	2198	103	140	10.07-08.14	■
2.2 TDCi (PGFB)	Type 260/280/300	Diesel	FWD	2198	103	140	10.07-08.14	■
2.2 TDCi (UHFA)	Type 260/280/300	Diesel	FWD	2198	103	140	10.07-08.14	■
2.2 TDCi (UHFB)	Type 260/280/300	Diesel	FWD	2198	103	140	10.07-08.14	■
2.2 TDCi (UHFC)	Type 260/280/300	Diesel	FWD	2198	103	140	10.07-08.14	■

# LISTA DE APLICACIONES - BUYERS GUIDE

<b>TRANSIT V (FM_ , FN_ , FF_ ) 04.06-12.14</b>						<b>Platform/Chassis (LCVs-N1 Segment)</b>			
2.2 TDCi (P8FA)	Type 260/280/300	Diesel	FWD	2198	63	85	04.06-08.14	■	
2.2 TDCi (P8FB)	Type 260/280/300	Diesel	FWD	2198	63	85	04.06-08.14	■	
2.2 TDCi (DRFA)	Type 260/280/300	Diesel	FWD	2198	74	100	10.11-08.14	■	
2.2 TDCi (DRFB)	Type 260/280/300	Diesel	FWD	2198	74	100	10.11-08.14	■	
2.2 TDCi (DRFC)	Type 260/280/300	Diesel	FWD	2198	74	100	10.11-08.14	■	
2.2 TDCi (DRFD)	Type 260/280/300	Diesel	FWD	2198	74	100	10.11-08.14	■	
2.2 TDCi (DRFE)	Type 260/280/300	Diesel	FWD	2198	74	100	10.11-08.14	■	
2.2 TDCi (QVFA)	Type 260/280/300	Diesel	FWD	2198	81	110	04.06-08.14	■	
2.2 TDCi (SRFA)	Type 260/280/300	Diesel	FWD	2198	85	115	10.08-08.14	■	
2.2 TDCi (SRFB)	Type 260/280/300	Diesel	FWD	2198	85	115	10.08-08.14	■	
2.2 TDCi (SRFC)	Type 260/280/300	Diesel	FWD	2198	85	115	10.08-08.14	■	
2.2 TDCi (SRFD)	Type 260/280/300	Diesel	FWD	2198	85	115	10.08-08.14	■	
2.2 TDCi (SRFE)	Type 260/280/300	Diesel	FWD	2198	85	115	10.08-08.14	■	
2.2 TDCi (CYFA)	Type 260/280/300	Diesel	FWD	2198	92	125	10.11-08.14	■	
2.2 TDCi (CYFB)	Type 260/280/300	Diesel	FWD	2198	92	125	10.11-08.14	■	
2.2 TDCi (CYFC)	Type 260/280/300	Diesel	FWD	2198	92	125	10.11-08.14	■	
2.2 TDCi (CYFD)	Type 260/280/300	Diesel	FWD	2198	92	125	10.11-08.14	■	
2.2 TDCi (QWFA)	Type 260/280/300	Diesel	FWD	2198	96	130	04.06-08.14	■	
2.2 TDCi (PGFA)	Type 260/280/300	Diesel	FWD	2198	103	140	10.07-08.14	■	
2.2 TDCi (PGFB)	Type 260/280/300	Diesel	FWD	2198	103	140	10.07-08.14	■	
2.2 TDCi (UHFA)	Type 260/280/300	Diesel	FWD	2198	103	140	10.07-08.14	■	
2.2 TDCi (UHFB)	Type 260/280/300	Diesel	FWD	2198	103	140	10.07-08.14	■	
2.2 TDCi (UHFC)	Type 260/280/300	Diesel	FWD	2198	103	140	10.07-08.14	■	
<b>TRANSIT V (FA_ ) 04.06-</b>						<b>Van (LCVs-N1 Segment)</b>			
2.2 TDCi (P8FA)	Type 260/280/300	Diesel	FWD	2198	63	85	04.06-08.14	■	
2.2 TDCi (P8FB)	Type 260/280/300	Diesel	FWD	2198	63	85	04.06-08.14	■	
2.2 TDCi (DRFA)	Type 260/280/300	Diesel	FWD	2198	74	100	10.11-08.14	■	
2.2 TDCi (DRFB)	Type 260/280/300	Diesel	FWD	2198	74	100	10.11-08.14	■	
2.2 TDCi (DRFC)	Type 260/280/300	Diesel	FWD	2198	74	100	10.11-08.14	■	
2.2 TDCi (DRFD)	Type 260/280/300	Diesel	FWD	2198	74	100	10.11-08.14	■	
2.2 TDCi (DRFE)	Type 260/280/300	Diesel	FWD	2198	74	100	10.11-08.14	■	
2.2 TDCi (QVFA)	Type 260/280/300	Diesel	FWD	2198	81	110	04.06-08.14	■	
2.2 TDCi (SRFA)	Type 260/280/300	Diesel	FWD	2198	85	115	10.08-08.14	■	
2.2 TDCi (SRFB)	Type 260/280/300	Diesel	FWD	2198	85	115	10.08-08.14	■	
2.2 TDCi (SRFC)	Type 260/280/300	Diesel	FWD	2198	85	115	10.08-08.14	■	
2.2 TDCi (SRFD)	Type 260/280/300	Diesel	FWD	2198	85	115	10.08-08.14	■	
2.2 TDCi (SRFE)	Type 260/280/300	Diesel	FWD	2198	85	115	10.08-08.14	■	
2.2 TDCi (CYFA)	Type 260/280/300	Diesel	FWD	2198	92	125	10.11-08.14	■	
2.2 TDCi (CYFB)	Type 260/280/300	Diesel	FWD	2198	92	125	10.11-08.14	■	
2.2 TDCi (CYFC)	Type 260/280/300	Diesel	FWD	2198	92	125	10.11-08.14	■	
2.2 TDCi (CYFD)	Type 260/280/300	Diesel	FWD	2198	92	125	10.11-08.14	■	
2.2 TDCi (QWFA)	Type 260/280/300	Diesel	FWD	2198	96	130	04.06-08.14	■	
2.2 TDCi (PGFA)	Type 260/280/300	Diesel	FWD	2198	103	140	10.07-08.14	■	
2.2 TDCi (PGFB)	Type 260/280/300	Diesel	FWD	2198	103	140	10.07-08.14	■	
2.2 TDCi (UHFA)	Type 260/280/300	Diesel	FWD	2198	103	140	10.07-08.14	■	
2.2 TDCi (UHFB)	Type 260/280/300	Diesel	FWD	2198	103	140	10.07-08.14	■	
2.2 TDCi (UHFC)	Type 260/280/300	Diesel	FWD	2198	103	140	10.07-08.14	■	
<b>TRANSIT TOURNEO III 07.06-08.14</b>						<b>Bus (Minibus-M2-Segment)</b>			
2.2 TDCi (QVFA)	Type 260/280/300	Diesel	FWD	2198	81	110	07.06-08.14	■	

## LISTA DE APLICACIONES - BUYERS GUIDE

2.2 TDCi (SRFA)	Type 260/280/300	Diesel	FWD	2198	85	115	10.08-08.14	■
2.2 TDCi (SRFB)	Type 260/280/300	Diesel	FWD	2198	85	115	10.08-08.14	■
2.2 TDCi (SRFC)	Type 260/280/300	Diesel	FWD	2198	85	115	10.08-08.14	■
2.2 TDCi (SRFD)	Type 260/280/300	Diesel	FWD	2198	85	115	10.08-08.14	■
2.2 TDCi (SRFE)	Type 260/280/300	Diesel	FWD	2198	85	115	10.08-08.14	■
2.2 TDCi (QWFA)	Type 260/280/300	Diesel	FWD	2198	96	131	07.06-08.14	■
2.2 TDCi (PGFA)	Type 260/280/300	Diesel	FWD	2198	103	140	10.07-08.14	■
2.2 TDCi (PGFB)	Type 260/280/300	Diesel	FWD	2198	103	140	10.07-08.14	■
2.2 TDCi (UHFA)	Type 260/280/300	Diesel	FWD	2198	103	140	10.07-08.14	■
2.2 TDCi (UHFB)	Type 260/280/300	Diesel	FWD	2198	103	140	10.07-08.14	■
2.2 TDCi (UHFC)	Type 260/280/300	Diesel	FWD	2198	103	140	10.07-08.14	■