

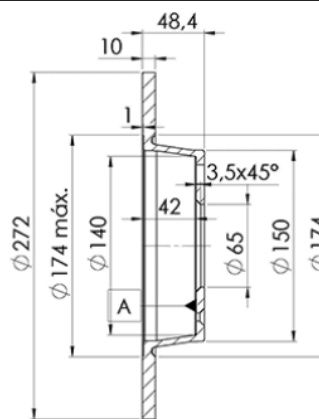
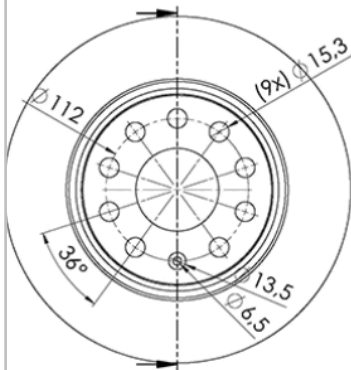
LISTA DE APLICACIONES - BUYERS GUIDE

78BD5637-2



Weight: 8.204

O.E.M.	MAKE
1K0 615 601 AA	VW
5Q0 615 601 D	VW



78BD5637-2

E1 90R-02C0415/0001



Ø272x10x48.5

MAKE
AUDI
CUPRA
FORD
SEAT
SKODA
SKODA (SVW)
VW
VW (SVW)



Trac.	CC	Kw	CV
-------	----	----	----



Front / Rear

AUDI

A1 (8X1, 8XK) 05.10-							Hatchback (Supermini car-B Segment)			
1.2 TFSI (CBZA)	PR 1KS	Gasolina	FWD	1197	63	86	05.10-04.15			■
1.4 TFSI (CAXA)	PR 1KS	Gasolina	FWD	1390	90	122	05.10-04.15			■
1.4 TFSI (CNVA)	PR 1KS	Gasolina	FWD	1390	90	122	05.10-04.15			■
1.4 TFSI (CAVG)	PR 1KS	Gasolina	FWD	1390	136	185	01.11-04.15			■
1.4 TFSI (CTHG)	PR 1KS	Gasolina	FWD	1390	136	185	01.11-04.15			■
1.4 TFSI (CPTA)	PR 1KS	Gasolina	FWD	1395	103	140	04.12-04.15			■
S1 quattro (CWZA)		Gasolina	4WD	1984	170	231	03.14-10.18			■
2.0 TFSI quattro (CDLH)	PR 1KS	Gasolina	4WD	1984	188	256	03.12-11.12			■
1.6 TDI (CAYB)	PR 1KS	Diesel	FWD	1598	66	90	03.11-04.15			■
1.6 TDI (CAYC)	PR 1KS	Diesel	FWD	1598	77	105	05.10-04.15			■
2.0 TDI (CFHD)	PR 1KS	Diesel	FWD	1968	105	143	09.11-04.15			■

A1 Sportback (8XA, 8XF) 09.11-							Hatchback (Supermini car-B Segment)			
1.2 TFSI (CBZA)	PR 1KS	Gasolina	FWD	1197	63	86	01.12-04.15			■
1.4 TFSI (CAXA)	PR 1KS	Gasolina	FWD	1390	90	122	11.11-04.15			■
1.4 TFSI (CNVA)	PR 1KS	Gasolina	FWD	1390	90	122	11.11-04.15			■
1.4 TFSI (CAVG)	PR 1KS	Gasolina	FWD	1390	136	185	11.11-04.15			■
1.4 TFSI (CTHG)	PR 1KS	Gasolina	FWD	1390	136	185	11.11-04.15			■
1.4 TFSI (CPTA)	PR 1KS	Gasolina	FWD	1395	103	140	04.12-04.15			■
S1 quattro (CWZA)		Gasolina	4WD	1984	170	231	03.14-10.18			■
1.6 TDI (CAYB)	PR 1KS	Diesel	FWD	1598	66	90	11.11-04.15			■
1.6 TDI (CAYC)	PR 1KS	Diesel	FWD	1598	77	105	11.11-04.15			■
2.0 TDI (CFHD)	PR 1KS	Diesel	FWD	1968	105	143	09.11-04.15			■

LISTA DE APLICACIONES - BUYERS GUIDE

A3 II (8P7) 04.08-12.13					Convertible (Compact executive car-D Segment)			
1.2 TFSI (CBZB)	PR 1KS	Gasolina	FWD	1197	77	105	03.10-05.13	■
1.4 TFSI (CAXC)	PR 1KS	Gasolina	FWD	1390	92	125	02.11-05.13	■
1.6 (BSE)	PR 1KS	Gasolina	FWD	1595	75	102	09.08-05.10	■
1.8 TFSI (BZB)	PR 1KS	Gasolina	FWD	1798	118	160	04.08-05.13	■
1.8 TFSI (CDAA)	PR 1KS	Gasolina	FWD	1798	118	160	04.08-05.13	■
2.0 TFSI (CAWB)	PR 1KS	Gasolina	FWD	1984	147	200	04.08-05.13	■
2.0 TFSI (CCZA)	PR 1KS	Gasolina	FWD	1984	147	200	04.08-05.13	■
1.6 TDI (CAYC)	PR 1KS	Diesel	FWD	1598	77	105	05.09-05.13	■
1.9 TDI (BLS)	PR 1KS	Diesel	FWD	1896	77	105	04.08-10.09	■
2.0 TDI (CBAA)	PR 1KS	Diesel	FWD	1968	100	136	04.08-05.13	■
2.0 TDI (CFFA)	PR 1KS	Diesel	FWD	1968	100	136	04.08-05.13	■
2.0 TDI (CBAB)	PR 1KS	Diesel	FWD	1968	103	140	04.08-05.13	■
2.0 TDI (CFFB)	PR 1KS	Diesel	FWD	1968	103	140	04.08-05.13	■
A3 II (8P1) 05.03-12.13					Hatchback (Compact executive car-D Segment)			
1.2 TSI (CBZB)	PR 1KS	Gasolina	FWD	1197	77	105	04.10-08.12	■
1.4 TFSI (CAXC)	PR 1KS	Gasolina	FWD	1390	92	125	09.07-08.12	■
1.4 TFSI (CMSA)	PR 1KS	Gasolina	FWD	1390	92	125	09.07-08.12	■
1.6 (BGU)	PR 1KS	Gasolina	FWD	1595	75	102	05.03-08.12	■
1.6 (BSE)	PR 1KS	Gasolina	FWD	1595	75	102	05.03-08.12	■
1.6 (BSF)	PR 1KS	Gasolina	FWD	1595	75	102	05.03-08.12	■
1.6 FSI (BAG)	PR 1KS	Gasolina	FWD	1598	85	115	08.03-09.07	■
1.6 FSI (BLF)	PR 1KS	Gasolina	FWD	1598	85	115	08.03-09.07	■
1.6 FSI (BLP)	PR 1KS	Gasolina	FWD	1598	85	115	08.03-09.07	■
1.8 T (BPU)		Gasolina	FWD	1781	110	150	08.06-08.12	■
1.8 TFSI (BYT)	01/07-, PR 1KS	Gasolina	FWD	1798	118	160	11.06-08.12	■
1.8 TFSI (BZB)	01/07-, PR 1KS	Gasolina	FWD	1798	118	160	11.06-08.12	■
1.8 TFSI (CDAA)	01/07-, PR 1KS	Gasolina	FWD	1798	118	160	11.06-08.12	■
1.8 TFSI quattro (CDAA)	PR 1KS	Gasolina	4WD	1798	118	160	07.08-08.12	■
2.0 FSI (AXW)	PR 1KS	Gasolina	FWD	1984	110	150	05.03-06.08	■
2.0 FSI (BLR)	PR 1KS	Gasolina	FWD	1984	110	150	05.03-06.08	■
2.0 FSI (BLX)	PR 1KS	Gasolina	FWD	1984	110	150	05.03-06.08	■
2.0 FSI (BLY)	PR 1KS	Gasolina	FWD	1984	110	150	05.03-06.08	■
2.0 FSI (BMB)	PR 1KS	Gasolina	FWD	1984	110	150	05.03-06.08	■
2.0 FSI (BVY)	PR 1KS	Gasolina	FWD	1984	110	150	05.03-06.08	■
2.0 FSI (BVZ)	PR 1KS	Gasolina	FWD	1984	110	150	05.03-06.08	■
2.0 TFSI (AXX)	PR 1KS	Gasolina	FWD	1984	147	200	09.04-08.12	■
2.0 TFSI (BWA)	PR 1KS	Gasolina	FWD	1984	147	200	09.04-08.12	■
2.0 TFSI (CAWB)	PR 1KS	Gasolina	FWD	1984	147	200	09.04-08.12	■
2.0 TFSI (CCZA)	PR 1KS	Gasolina	FWD	1984	147	200	09.04-08.12	■
2.0 TFSI quattro (AXX)	PR 1KS	Gasolina	4WD	1984	147	200	09.04-08.12	■
2.0 TFSI quattro (BWA)	PR 1KS	Gasolina	4WD	1984	147	200	09.04-08.12	■
2.0 TFSI quattro (CBFA)	PR 1KS	Gasolina	4WD	1984	147	200	09.04-08.12	■
2.0 TFSI quattro (CCTA)	PR 1KS	Gasolina	4WD	1984	147	200	09.04-08.12	■
2.0 TFSI quattro (CCZA)	PR 1KS	Gasolina	4WD	1984	147	200	09.04-08.12	■
3.2 V6 quattro (BDB)	PR 1KS	Gasolina	4WD	3189	184	250	07.03-05.09	■
3.2 V6 quattro (BMJ)	PR 1KS	Gasolina	4WD	3189	184	250	07.03-05.09	■
3.2 V6 quattro (BUB)	PR 1KS	Gasolina	4WD	3189	184	250	07.03-05.09	■
1.6 TDI (CAYB)	PR 1KS	Diesel	FWD	1598	66	90	05.09-08.12	■
1.6 TDI (CAYC)	PR 1KS	Diesel	FWD	1598	77	105	05.09-08.12	■

LISTA DE APLICACIONES - BUYERS GUIDE

1.9 TDI (BKC)	PR 1KS	Diesel	FWD	1896	77	105	05.03-05.10	■	
1.9 TDI (BLS)	PR 1KS	Diesel	FWD	1896	77	105	05.03-05.10	■	
1.9 TDI (BXE)	PR 1KS	Diesel	FWD	1896	77	105	05.03-05.10	■	
2.0 TDI (AZV)	PR 1KS	Diesel	FWD	1968	100	136	05.03-08.12	■	
2.0 TDI (CBAA)	PR 1KS	Diesel	FWD	1968	100	136	05.03-08.12	■	
2.0 TDI (CFFA)	PR 1KS	Diesel	FWD	1968	100	136	05.03-08.12	■	
2.0 TDI quattro (AZV)	PR 1KS	Diesel	4WD	1968	100	136	05.03-06.08	■	
2.0 TDI (BMM)	PR 1KS	Diesel	FWD	1968	103	140	06.05-06.08	■	
2.0 TDI 16V (BKD)	PR 1KS	Diesel	FWD	1968	103	140	05.03-08.12	■	
2.0 TDI 16V (CBAB)	PR 1KS	Diesel	FWD	1968	103	140	05.03-08.12	■	
2.0 TDI 16V (CBEA)	PR 1KS	Diesel	FWD	1968	103	140	05.03-08.12	■	
2.0 TDI 16V (CFFB)	PR 1KS	Diesel	FWD	1968	103	140	05.03-08.12	■	
2.0 TDI 16V (CLJA)	PR 1KS	Diesel	FWD	1968	103	140	05.03-08.12	■	
2.0 TDI 16V quattro (BKD)	PR 1KS	Diesel	4WD	1968	103	140	08.04-08.12	■	
2.0 TDI 16V quattro (CBAB)	PR 1KS	Diesel	4WD	1968	103	140	08.04-08.12	■	
2.0 TDI 16V quattro (CFFB)	PR 1KS	Diesel	4WD	1968	103	140	08.04-08.12	■	
2.0 TDI quattro (BMM)	PR 1KS	Diesel	4WD	1968	103	140	01.06-06.08	■	
2.0 TDI (BUY)	PR 1KS	Diesel	FWD	1968	120	163	06.06-06.08	■	
2.0 TDI (BMN)	PR 1KS	Diesel	FWD	1968	125	170	03.06-08.12	■	
2.0 TDI (CBBB)	PR 1KS	Diesel	FWD	1968	125	170	03.06-08.12	■	
2.0 TDI (CFGB)	PR 1KS	Diesel	FWD	1968	125	170	03.06-08.12	■	
2.0 TDI quattro (BMN)	PR 1KS	Diesel	4WD	1968	125	170	03.06-08.12	■	
2.0 TDI quattro (CBBB)	PR 1KS	Diesel	4WD	1968	125	170	03.06-08.12	■	
2.0 TDI quattro (CFGB)	PR 1KS	Diesel	4WD	1968	125	170	03.06-08.12	■	
A3 II Sportback (8PA) 09.04-12.15						Hatchback (Compact executive car-D Segment)			
1.2 TSI (CBZB)	PR 1KS	Gasolina	FWD	1197	77	105	04.10-03.13	■	
1.4 TFSI (CAXC)	PR 1KS	Gasolina	FWD	1390	92	125	09.07-03.13	■	
1.4 TFSI (CMSA)	PR 1KS	Gasolina	FWD	1390	92	125	09.07-03.13	■	
1.6 (BGU)	PR 1KS	Gasolina	FWD	1595	75	102	09.04-03.13	■	
1.6 (BSE)	PR 1KS	Gasolina	FWD	1595	75	102	09.04-03.13	■	
1.6 (BSF)	PR 1KS	Gasolina	FWD	1595	75	102	09.04-03.13	■	
1.6 FSI (BLF)	PR 1KS	Gasolina	FWD	1598	85	115	09.04-09.07	■	
1.6 FSI (BLP)	PR 1KS	Gasolina	FWD	1598	85	115	09.04-09.07	■	
1.8 TFSI (BYT)	01/07-, PR 1KS	Gasolina	FWD	1798	118	160	11.06-03.13	■	
1.8 TFSI (BZB)	01/07-, PR 1KS	Gasolina	FWD	1798	118	160	11.06-03.13	■	
1.8 TFSI (CDAA)	01/07-, PR 1KS	Gasolina	FWD	1798	118	160	11.06-03.13	■	
1.8 TFSI quattro (CDAA)	PR 1KS	Gasolina	4WD	1798	118	160	07.08-03.13	■	
2.0 FSI (AXW)	PR 1KS	Gasolina	FWD	1984	110	150	09.04-06.08	■	
2.0 FSI (BLR)	PR 1KS	Gasolina	FWD	1984	110	150	09.04-06.08	■	
2.0 FSI (BLX)	PR 1KS	Gasolina	FWD	1984	110	150	09.04-06.08	■	
2.0 FSI (BLY)	PR 1KS	Gasolina	FWD	1984	110	150	09.04-06.08	■	
2.0 FSI (BMB)	PR 1KS	Gasolina	FWD	1984	110	150	09.04-06.08	■	
2.0 FSI (BVY)	PR 1KS	Gasolina	FWD	1984	110	150	09.04-06.08	■	
2.0 FSI (BVZ)	PR 1KS	Gasolina	FWD	1984	110	150	09.04-06.08	■	
2.0 TFSI (AXX)	PR 1KS	Gasolina	FWD	1984	147	200	09.04-03.13	■	
2.0 TFSI (BPY)	PR 1KS	Gasolina	FWD	1984	147	200	09.04-03.13	■	
2.0 TFSI (BWA)	PR 1KS	Gasolina	FWD	1984	147	200	09.04-03.13	■	
2.0 TFSI (CAWB)	PR 1KS	Gasolina	FWD	1984	147	200	09.04-03.13	■	
2.0 TFSI (CBFA)	PR 1KS	Gasolina	FWD	1984	147	200	09.04-03.13	■	
2.0 TFSI (CCTA)	PR 1KS	Gasolina	FWD	1984	147	200	09.04-03.13	■	
2.0 TFSI (CCZA)	PR 1KS	Gasolina	FWD	1984	147	200	09.04-03.13	■	

LISTA DE APLICACIONES - BUYERS GUIDE

2.0 TFSI quattro (AXX)	PR 1KS	Gasolina	4WD	1984	147	200	09.04-03.13	■
2.0 TFSI quattro (BPY)	PR 1KS	Gasolina	4WD	1984	147	200	09.04-03.13	■
2.0 TFSI quattro (BWA)	PR 1KS	Gasolina	4WD	1984	147	200	09.04-03.13	■
2.0 TFSI quattro (CBFA)	PR 1KS	Gasolina	4WD	1984	147	200	09.04-03.13	■
2.0 TFSI quattro (CCTA)	PR 1KS	Gasolina	4WD	1984	147	200	09.04-03.13	■
2.0 TFSI quattro (CCZA)	PR 1KS	Gasolina	4WD	1984	147	200	09.04-03.13	■
3.2 V6 quattro (BDB)	PR 1KS	Gasolina	4WD	3189	184	250	09.04-05.09	■
3.2 V6 quattro (BMJ)	PR 1KS	Gasolina	4WD	3189	184	250	09.04-05.09	■
3.2 V6 quattro (BUB)	PR 1KS	Gasolina	4WD	3189	184	250	09.04-05.09	■
1.6 TDI (CAYB)	PR 1KS	Diesel	FWD	1598	66	90	05.09-03.13	■
1.6 TDI (CAYC)	PR 1KS	Diesel	FWD	1598	77	105	05.09-03.13	■
1.9 TDI (BKC)	PR 1KS	Diesel	FWD	1896	77	105	09.04-05.10	■
1.9 TDI (BLS)	PR 1KS	Diesel	FWD	1896	77	105	09.04-05.10	■
1.9 TDI (BXE)	PR 1KS	Diesel	FWD	1896	77	105	09.04-05.10	■
2.0 TDI (AZV)	PR 1KS	Diesel	FWD	1968	100	136	09.04-03.13	■
2.0 TDI (CBAA)	PR 1KS	Diesel	FWD	1968	100	136	09.04-03.13	■
2.0 TDI (CFFA)	PR 1KS	Diesel	FWD	1968	100	136	09.04-03.13	■
2.0 TDI (BMM)	PR 1KS	Diesel	FWD	1968	103	140	06.05-06.08	■
2.0 TDI 16V (BKD)	PR 1KS	Diesel	FWD	1968	103	140	09.04-03.13	■
2.0 TDI 16V (CBAB)	PR 1KS	Diesel	FWD	1968	103	140	09.04-03.13	■
2.0 TDI 16V (CBEA)	PR 1KS	Diesel	FWD	1968	103	140	09.04-03.13	■
2.0 TDI 16V (CFFB)	PR 1KS	Diesel	FWD	1968	103	140	09.04-03.13	■
2.0 TDI 16V (CLJA)	PR 1KS	Diesel	FWD	1968	103	140	09.04-03.13	■
2.0 TDI 16V quattro (BKD)	PR 1KS	Diesel	4WD	1968	103	140	11.05-03.13	■
2.0 TDI 16V quattro (CBAB)	PR 1KS	Diesel	4WD	1968	103	140	11.05-03.13	■
2.0 TDI 16V quattro (CFFB)	PR 1KS	Diesel	4WD	1968	103	140	11.05-03.13	■
2.0 TDI quattro (BMM)	PR 1KS	Diesel	4WD	1968	103	140	01.06-06.08	■
2.0 TDI		Diesel	FWD	1968	104	141	01.10-03.13	■
2.0 TDI (BUY)	PR 1KS	Diesel	FWD	1968	120	163	06.06-06.08	■
2.0 TDI (BMN)	PR 1KS	Diesel	FWD	1968	125	170	03.06-03.13	■
2.0 TDI (CBBB)	PR 1KS	Diesel	FWD	1968	125	170	03.06-03.13	■
2.0 TDI (CFGB)	PR 1KS	Diesel	FWD	1968	125	170	03.06-03.13	■
2.0 TDI quattro (BMN)	PR 1KS	Diesel	4WD	1968	125	170	03.06-03.13	■
2.0 TDI quattro (CBBB)	PR 1KS	Diesel	4WD	1968	125	170	03.06-03.13	■
2.0 TDI quattro (CFGB)	PR 1KS	Diesel	4WD	1968	125	170	03.06-03.13	■
A3 III (8V7, 8VE) 10.13-							Convertible (Compact executive car-D Segment)	
1.4 TFSI (CZCC)		Gasolina	FWD	1395	85	115	02.16-10.20	■
1.5 TFSI (DADA)		Gasolina	FWD	1498	110	150	05.17-10.18	■
35 TFSI (DADA)		Gasolina	FWD	1498	110	150	10.18-10.20	■
35 TFSI (DPCA)		Gasolina	FWD	1498	110	150	10.18-10.20	■
40 TFSI (DKZA)		Gasolina	FWD	1984	140	190	11.18-10.20	■
40 TFSI quattro (DKZA)		Gasolina	4WD	1984	140	190	11.18-10.20	■
2.0 TFSI quattro (CNTC)		Gasolina	4WD	1984	162	220	05.14-10.20	■
1.6 TDI (DDYA)		Diesel	FWD	1598	85	115	04.17-10.20	■
A3 III (8V1, 8VK) 04.12-							Hatchback (Compact executive car-D Segment)	
1.4 TFSI (CPTA)	PR 1KE, elec.brake detention	Gasolina	FWD	1395	103	140	03.13-08.16	■
1.5 TFSI (DADA)		Gasolina	FWD	1498	110	150	05.17-12.17	■
1.8 TFSI (CJSA)	PR 1KE, elec.brake detention	Gasolina	FWD	1798	132	180	04.12-08.16	■
1.8 TFSI quattro (CJSB)	PR 1KE, elec.brake detention	Gasolina	4WD	1798	132	180	08.12-08.16	■
1.6 TDI (CLHA)	PR 1KE, elec.brake detention	Diesel	FWD	1598	77	105	10.12-05.15	■

LISTA DE APLICACIONES - BUYERS GUIDE

1.6 TDI (DDYA)		Diesel	FWD	1598	85	115	02.17-10.20	■	
2.0 TDI (CRFA)	PR 1KE, elec.brake detention	Diesel	FWD	1968	81	110	01.13-08.16	■	
2.0 TDI (CRFC)	PR 1KE, elec.brake detention	Diesel	FWD	1968	105	143	09.12-10.20	■	
2.0 TDI (CRBC)	PR 1KE, elec.brake detention	Diesel	FWD	1968	110	150	04.12-12.17	■	
2.0 TDI (CRLB)	PR 1KE, elec.brake detention	Diesel	FWD	1968	110	150	04.12-12.17	■	
2.0 TDI (CRUA)	PR 1KE, elec.brake detention	Diesel	FWD	1968	110	150	04.12-12.17	■	
2.0 TDI (DBGA)	PR 1KE, elec.brake detention	Diesel	FWD	1968	110	150	04.12-12.17	■	
2.0 TDI (DCYA)	PR 1KE, elec.brake detention	Diesel	FWD	1968	110	150	04.12-12.17	■	
2.0 TDI (DEJA)	PR 1KE, elec.brake detention	Diesel	FWD	1968	110	150	04.12-12.17	■	
2.0 TDI quattro (CRBC)	PR 1KE, elec.brake detention	Diesel	4WD	1968	110	150	10.12-12.17	■	
2.0 TDI quattro (CRLB)	PR 1KE, elec.brake detention	Diesel	4WD	1968	110	150	10.12-12.17	■	
2.0 TDI quattro (DCYA)	PR 1KE, elec.brake detention	Diesel	4WD	1968	110	150	10.12-12.17	■	
2.0 TDI (CUNA)	PR 1KE, elec.brake detention	Diesel	FWD	1968	135	184	05.13-12.17	■	
2.0 TDI quattro (CUNA)	PR 1KE, elec.brake detention	Diesel	4WD	1968	135	184	12.12-12.17	■	
2.0 TDI quattro (DGCA)	PR 1KE, elec.brake detention	Diesel	4WD	1968	135	184	12.12-12.17	■	
A3 III (8VS, 8VM) 05.13-							Saloon (Compact executive car-D Segment)		
30 TFSI (DKRF)		Gasolina	FWD	999	85	115	07.18-10.20	■	
1.5 TFSI (DADA)		Gasolina	FWD	1498	110	150	05.17-10.18	■	
35 TFSI (DADA)		Gasolina	FWD	1498	110	150	10.18-10.20	■	
35 TFSI (DPCA)		Gasolina	FWD	1498	110	150	10.18-10.20	■	
40 TFSI (DKZA)		Gasolina	FWD	1984	140	190	07.18-10.20	■	
40 TFSI quattro (DKZA)		Gasolina	4WD	1984	140	190	07.18-10.20	■	
2.0 TFSI (CHHB)		Gasolina	FWD	1984	162	220	11.15-10.20	■	
2.0 TFSI (CNTC)		Gasolina	FWD	1984	162	220	11.15-10.20	■	
1.6 TDI (DDYA)		Diesel	FWD	1598	85	115	03.17-10.20	■	
30 TDI (DGTE)		Diesel	FWD	1598	85	115	07.18-10.20	■	
35 TDI (DFGA)		Diesel	FWD	1968	110	150	07.18-10.20	■	
40 TDI quattro (DJGA)		Diesel	4WD	1968	135	184	07.18-07.19	■	
A3 III Sportback (8VA, 8VF) 09.12-							Hatchback (Compact executive car-D Segment)		
30 TFSI (DKRF)		Gasolina	FWD	999	85	116	07.18-10.20	■	
1.4 TFSI (CMBA)	PR 1KE, elec.brake detention	Gasolina	FWD	1395	90	122	09.12-10.20	■	
1.4 TFSI (CXSA)	PR 1KE, elec.brake detention	Gasolina	FWD	1395	90	122	09.12-10.20	■	
1.5 TFSI (DADA)		Gasolina	FWD	1498	110	150	05.17-10.18	■	
35 TFSI (DADA)		Gasolina	FWD	1498	110	150	10.18-10.20	■	
35 TFSI (DPCA)		Gasolina	FWD	1498	110	150	10.18-10.20	■	
1.8 TFSI (CJSA)	PR 1KE, elec.brake detention	Gasolina	FWD	1798	132	180	09.12-08.16	■	
1.8 TFSI (CJSB)	PR 1KE, elec.brake detention	Gasolina	FWD	1798	132	180	09.12-08.16	■	
40 TFSI (DKZA)		Gasolina	FWD	1984	140	190	07.18-10.20	■	
40 TFSI quattro (DKZA)		Gasolina	4WD	1984	140	190	07.18-10.20	■	
2.0 45 TFSI		Gasolina	FWD	1984	162	220	02.15-08.16	■	
30 g-tron (DHFA)		Gasol./Gas (CNG)	FWD	1498	96	131	11.18-10.20	■	
1.4 TFSI e-tron (CXUA)		Gasol./eléc.	FWD	1395	150	204	05.14-10.20	■	
40 e-tron		Gasol./eléc.	FWD	1395	150	204	07.18-10.20	■	
1.6 TDI (DDYA)		Diesel	FWD	1598	85	115	02.17-10.20	■	
30 TDI (DGTE)		Diesel	FWD	1598	85	115	07.18-10.20	■	
2.0 TDI (CRFC)	PR 1KE, elec.brake detention	Diesel	FWD	1968	105	143	03.13-10.20	■	
2.0 TDI (CRBC)	PR 1KE, elec.brake detention	Diesel	FWD	1968	110	150	09.12-10.20	■	
2.0 TDI (CRLB)	PR 1KE, elec.brake detention	Diesel	FWD	1968	110	150	09.12-10.20	■	

LISTA DE APLICACIONES - BUYERS GUIDE

2.0 TDI (CRUA)	PR 1KE, elec.brake detention	Diesel	FWD	1968	110	150	09.12-10.20	■
2.0 TDI (DBGA)	PR 1KE, elec.brake detention	Diesel	FWD	1968	110	150	09.12-10.20	■
2.0 TDI (DCYA)	PR 1KE, elec.brake detention	Diesel	FWD	1968	110	150	09.12-10.20	■
2.0 TDI (DEJA)	PR 1KE, elec.brake detention	Diesel	FWD	1968	110	150	09.12-10.20	■
2.0 TDI (DFGA)	PR 1KE, elec.brake detention	Diesel	FWD	1968	110	150	09.12-10.20	■
35 TDI (DFGA)		Diesel	FWD	1968	110	150	07.18-10.20	■
2.0 TDI quattro (CUNA)	PR 1KE, elec.brake detention	Diesel	4WD	1968	135	184	05.13-07.18	■
2.0 TDI quattro (DGCA)	PR 1KE, elec.brake detention	Diesel	4WD	1968	135	184	05.13-07.18	■
40 TDI quattro (DJGA)		Diesel	4WD	1968	135	184	07.18-10.20	■
A3 IV (8YS, 8YM) 03.20-				Saloon (Compact executive car-D Segment)				
30 TFSI (DLAA)		Gasolina	FWD	999	81	110	06.20-	■
35 TFSI (DPCA)		Gasolina	FWD	1498	110	150	04.20-	■
40 TFSI quattro		Gasolina	4WD	1984	140	190	07.21-	■
30 TFSI Mild Hybrid		Gasol./el éc.	FWD	999	81	110	06.20-	■
35 TFSI Mild Hybrid (DFYA)		Gasol./el éc.	FWD	1498	110	150	04.20-	■
30 TDI (DSUD)		Diesel	FWD	1968	85	116	06.20-	■
35 TDI (DSRB)		Diesel	FWD	1968	110	150	04.20-	■
40 TDI quattro		Diesel	4WD	1968	147	200	12.20-	■
A3 IV Allstreet (8YH) 11.19-				Hatchback (Compact executive car-D Segment)				
40 TFSI quattro		Gasolina	4WD	1984	140	190	07.22-	■
40 TFSIe		Gasol./el éc.	FWD	1395	150	204	07.22-	■
35 TFSI Mild Hybrid		Gasol./el éc.	FWD	1498	110	150	07.22-	■
35 TDI		Diesel	FWD	1968	110	150	07.22-	■
A3 IV Sportback (8YA, 8YF) 11.19-				Hatchback (Compact executive car-D Segment)				
30 TFSI (DLAA)		Gasolina	FWD	999	81	110	06.20-	■
35 TFSI (DPCA)		Gasolina	FWD	1498	110	150	11.19-	■
40 TFSI quattro		Gasolina	4WD	1984	140	190	07.21-	■
30 g-tron (DHFA)		Gasol./Gas (CNG)	FWD	1498	96	131	07.20-	■
30 TFSI Mild Hybrid (DLAA)		Gasol./el éc.	FWD	999	81	110	06.20-	■
40 TFSIe (DGEA)		Gasol./el éc.	FWD	1395	150	204	06.20-	■
45 TFSIe		Gasol./el éc.	FWD	1395	180	245	07.21-	■
35 TFSI Mild Hybrid (DFYA)		Gasol./el éc.	FWD	1498	110	150	04.20-	■
30 TDI (DSUD)		Diesel	FWD	1968	85	116	11.19-	■
35 TDI (DSRB)		Diesel	FWD	1968	110	150	11.19-	■
40 TDI quattro		Diesel	4WD	1968	147	200	12.20-	■
Q2 (GAB, GAG) 06.16-				SUV (Compact SUV-J Segment)				
30 TFSI		Gasolina	FWD	999	81	110	08.20-	■
1.0 TFSI (CHZJ)		Gasolina	FWD	999	85	115	10.16-10.20	■
1.4 TFSI (CZEA)		Gasolina	FWD	1395	110	150	06.16-	■
35 TFSI (DADA)		Gasolina	FWD	1498	110	150	07.18-	■
35 TFSI (DPCA)		Gasolina	FWD	1498	110	150	07.18-	■
2.0 TFSI quattro (CZPB)		Gasolina	4WD	1984	140	190	05.17-	■
2.0 TFSI quattro (DKZA)		Gasolina	4WD	1984	140	190	05.17-	■
40 TFSI quattro (DKZA)		Gasolina	4WD	1984	140	190	08.17-	■
1.6 TDI (DDYA)		Diesel	FWD	1598	85	115	06.16-07.18	■

LISTA DE APLICACIONES - BUYERS GUIDE

30 TDI (DGTE)		Diesel	FWD	1598	85	115	07.18-10.20	■	
30 TDI		Diesel	FWD	1968	85	116	02.21-	■	
2.0 TDI (DFGA)		Diesel	FWD	1968	110	150	09.16-	■	
2.0 TDI quattro (DFGA)		Diesel	4WD	1968	110	150	09.16-	■	
35 TDI (DFGA)		Diesel	FWD	1968	110	150	09.16-	■	
35 TDI quattro (DFGA)		Diesel	4WD	1968	110	150	01.19-	■	
2.0 TDI quattro (DFHA)		Diesel	4WD	1968	140	190	07.16-08.18	■	
TT III (FV9, FVR) 11.14-					Convertible (Sports car-S Segment)				
40 TFSI (DKZB)		Gasolina	FWD	1984	145	197	07.18-	■	
2.0 TFSI quattro (CNTC)		Gasolina	4WD	1984	162	220	04.15-	■	
45 TFSI (DKTB)		Gasolina	FWD	1984	180	245	07.18-	■	
45 TFSI quattro (DKTB)		Gasolina	4WD	1984	180	245	07.18-	■	
2.0 TDI quattro (CUNA)		Diesel	4WD	1968	135	184	01.17-	■	
TT III (FV3, FVP) 07.14-					Coupe (Sports car-S Segment)				
40 TFSI (DKZB)		Gasolina	FWD	1984	145	197	07.18-	■	
2.0 TFSI quattro (CNTC)		Gasolina	4WD	1984	162	220	04.15-	■	
45 TFSI (DKTB)		Gasolina	FWD	1984	180	245	07.18-	■	
45 TFSI quattro (DKTB)		Gasolina	4WD	1984	180	245	07.18-	■	
TTS TFSI quattro		Gasolina	4WD	1984	235	320	01.21-	■	
2.0 TDI quattro (CUNA)		Diesel	4WD	1968	135	184	01.17-	■	
CUPRA									
ATECA (KH7, KHP, KBP) 09.18-					SUV (Compact SUV-J Segment)				
1.5 TSI		Gasolina	FWD	1498	110	150	07.23-	■	
2.0 TSI 4Drive		Gasolina	4WD	1984	140	190	06.23-	■	
FORMENTOR (KM7, KMP) 07.20-					SUV (Compact SUV-J Segment)				
1.5 TSI		Gasolina	FWD	1498	110	150	11.20-	■	
2.0 TSI		Gasolina	FWD	1984	140	190	01.21-	■	
2.0 TSI 4Drive		Gasolina	4WD	1984	140	190	08.20-	■	
1.4 e-HYBRID		Gasol./el éc.	FWD	1395	150	204	01.21-	■	
2.0 TDI		Diesel	FWD	1968	110	150	03.21-	■	
2.0 TDI 4Drive		Diesel	4WD	1968	110	150	03.21-	■	
LEON (KL1, KU1, KUG) 09.20-					Hatchback (Compact car-C Segment)				
1.5 TSI		Gasolina	FWD	1498	110	150	09.22-	■	
2.0 TSI		Gasolina	FWD	1984	140	190	09.22-	■	
2.0 TSI		Gasolina	FWD	1984	180	245	06.21-	■	
2.0 TSI VZ		Gasolina	FWD	1984	221	300	01.21-	■	
1.4 e-HYBRID		Gasol./el éc.	FWD	1395	150	204	09.20-	■	
1.4 e-HYBRID		Gasol./el éc.	FWD	1395	180	245	09.20-	■	
1.5 eTSI		Gasol./el éc.	FWD	1498	110	150	08.22-	■	
2.0 TDI		Diesel	FWD	1968	110	150	11.22-	■	
LEON Sportstourer (KL8, KU8, KUD) 09.20-					Estate (Compact car-C Segment)				
1.5 TSI		Gasolina	FWD	1498	110	150	09.22-	■	
2.0 TSI		Gasolina	FWD	1984	140	190	09.22-	■	
1.4 e-HYBRID		Gasol./el éc.	FWD	1395	150	204	09.20-	■	
1.5 eTSI		Gasol./el éc.	FWD	1498	110	150	09.22-	■	
2.0 TDI		Diesel	FWD	1968	110	150	11.22-	■	

LISTA DE APLICACIONES - BUYERS GUIDE

2.0 TDI 4Drive		Diesel	4WD	1968	110	150	11.22-	■	
FORD									
(SK) 02.22-									MPV ()
1.5 EcoBoost		Gasolina	FWD	1498	84	114	02.22-08.24	■	
2.0 EcoBlue		Diesel	FWD	1968	55	75	02.22-	■	
2.0 EcoBlue		Diesel	FWD	1968	75	102	02.22-	■	
2.0 EcoBlue		Diesel	FWD	1968	90	122	02.22-	■	
2.0 EcoBlue 4WD		Diesel	4WD	1968	90	122	02.22-	■	
TRANSIT CONNECT (SKN) 05.24-					Box Body/MPV (LCVs-N1 Segment)				
EcoBoost		Gasolina	FWD	1498	84	114	05.24-08.24	■	
EcoBlue		Diesel	FWD	1968	55	75	05.24-	■	
EcoBlue		Diesel	FWD	1968	75	102	05.24-	■	
EcoBlue		Diesel	FWD	1968	90	122	05.24-	■	
SEAT									
ALTEA (5P1) 03.04-					MPV (Compact MPV-M1 Segment)				
1.2 TSI (CBZB)	PR 1KS	Gasolina	FWD	1197	77	105	04.10-07.15	■	
1.4 16V (BXW)	PR 1KS	Gasolina	FWD	1390	63	86	05.06-05.11	■	
1.4 16V (CGGB)	PR 1KS	Gasolina	FWD	1390	63	86	05.06-05.11	■	
1.4 TSI (CAXC)	PR 1KS	Gasolina	FWD	1390	92	125	11.07-07.15	■	
1.6 (BGU)	PR 1KS	Gasolina	FWD	1595	75	102	03.04-03.10	■	
1.6 (BSE)	PR 1KS	Gasolina	FWD	1595	75	102	03.04-03.10	■	
1.6 (BSF)	PR 1KS	Gasolina	FWD	1595	75	102	03.04-03.10	■	
1.6 (CCSA)	PR 1KS	Gasolina	FWD	1595	75	102	03.04-03.10	■	
1.8 TFSI (BYT)	PR 1KS	Gasolina	FWD	1798	118	160	01.07-07.15	■	
1.8 TFSI (BZB)	PR 1KS	Gasolina	FWD	1798	118	160	01.07-07.15	■	
1.8 TFSI (CDAA)	PR 1KS	Gasolina	FWD	1798	118	160	01.07-07.15	■	
2.0 FSI (BLR)	PR 1KS	Gasolina	FWD	1984	110	150	05.04-03.09	■	
2.0 FSI (BLY)	PR 1KS	Gasolina	FWD	1984	110	150	05.04-03.09	■	
2.0 FSI (BVY)	PR 1KS	Gasolina	FWD	1984	110	150	05.04-03.09	■	
2.0 FSI (BVZ)	PR 1KS	Gasolina	FWD	1984	110	150	05.04-03.09	■	
2.0 TFSI (BWA)	PR 1KS	Gasolina	FWD	1984	147	200	04.06-05.09	■	
1.6 LPG (CHGA)	PR 1KS	Gasol./Gas (LPG)	FWD	1595	75	102	09.09-06.13	■	
1.6 TDI (CAYB)	PR 1KS	Diesel	FWD	1598	66	90	11.10-07.15	■	
1.6 TDI (CAYC)	PR 1KS	Diesel	FWD	1598	77	105	10.09-07.15	■	
1.9 TDI (BXF)	PR 1KS	Diesel	FWD	1896	66	90	08.09-12.10	■	
1.9 TDI (BJB)	PR 1KS	Diesel	FWD	1896	77	105	04.04-12.10	■	
1.9 TDI (BKC)	PR 1KS	Diesel	FWD	1896	77	105	04.04-12.10	■	
1.9 TDI (BLS)	PR 1KS	Diesel	FWD	1896	77	105	04.04-12.10	■	
1.9 TDI (BXE)	PR 1KS	Diesel	FWD	1896	77	105	04.04-12.10	■	
2.0 TDI (AZV)	PR 1KS	Diesel	FWD	1968	100	136	03.04-05.09	■	
2.0 TDI (BMM)	PR 1KS	Diesel	FWD	1968	103	140	11.05-11.10	■	
2.0 TDI 16V (BKD)	PR 1KS	Diesel	FWD	1968	103	140	03.04-07.15	■	
2.0 TDI 16V (CFHC)	PR 1KS	Diesel	FWD	1968	103	140	03.04-07.15	■	
2.0 TDI (BMN)	PR 1KS	Diesel	FWD	1968	125	170	03.06-05.10	■	
2.0 TDI (CEGA)	PR 1KS	Diesel	FWD	1968	125	170	03.06-05.10	■	
ALTEA XL (5P5, 5P8) 10.06-					MPV (Compact MPV-M1 Segment)				
1.2 TSI (CBZB)	PR 1KS	Gasolina	FWD	1197	77	105	04.10-07.15	■	
1.4 16V (BXW)	PR 1KS	Gasolina	FWD	1390	63	86	10.06-06.13	■	
1.4 16V (CGGB)	PR 1KS	Gasolina	FWD	1390	63	86	10.06-06.13	■	

LISTA DE APLICACIONES - BUYERS GUIDE

1.4 TSI (CAXC)	PR 1KS	Gasolina	FWD	1390	92	125	11.07-07.15	■
1.6 (BGU)	PR 1KS	Gasolina	FWD	1595	75	102	10.06-11.10	■
1.6 (BSE)	PR 1KS	Gasolina	FWD	1595	75	102	10.06-11.10	■
1.6 (BSF)	PR 1KS	Gasolina	FWD	1595	75	102	10.06-11.10	■
1.6 (CCSA)	PR 1KS	Gasolina	FWD	1595	75	102	10.06-11.10	■
1.8 TFSI (BYT)	PR 1KS	Gasolina	FWD	1798	118	160	01.07-07.15	■
1.8 TFSI (BZB)	PR 1KS	Gasolina	FWD	1798	118	160	01.07-07.15	■
1.8 TFSI (CDAA)	PR 1KS	Gasolina	FWD	1798	118	160	01.07-07.15	■
2.0 FSI (BVY)	PR 1KS	Gasolina	FWD	1984	110	150	10.06-03.09	■
2.0 FSI (BVZ)	PR 1KS	Gasolina	FWD	1984	110	150	10.06-03.09	■
2.0 TFSI 4x4 (BWA)	PR 1KS	Gasolina	4WD	1984	147	200	06.07-05.09	■
2.0 TFSI		Gasolina	FWD	1984	155	211	05.09-07.15	■
2.0 TFSI 4x4 (CCZB)	PR 1KS	Gasolina	4WD	1984	155	211	05.09-07.15	■
1.6 LPG (CHGA)	PR 1KS	Gasol./Gas (LPG)	FWD	1595	75	102	09.09-06.13	■
1.6 MultiFuel (BSE)	PR 1KS	Gasol./Etanol	FWD	1595	75	102	10.06-11.10	■
1.6 MultiFuel (BSF)	PR 1KS	Gasol./Etanol	FWD	1595	75	102	10.06-11.10	■
1.6 MultiFuel (CCSA)	PR 1KS	Gasol./Etanol	FWD	1595	75	102	10.06-11.10	■
1.6 MultiFuel (CMXA)	PR 1KS	Gasol./Etanol	FWD	1595	75	102	10.06-11.10	■
1.6 TDI (CAYB)	PR 1KS	Diesel	FWD	1598	66	90	11.10-07.15	■
1.6 TDI (CAYC)	PR 1KS	Diesel	FWD	1598	77	105	10.09-07.15	■
1.9 TDI (BXF)	PR 1KS	Diesel	FWD	1896	66	90	08.09-12.10	■
1.9 TDI (BKC)	PR 1KS	Diesel	FWD	1896	77	105	10.06-12.10	■
1.9 TDI (BLS)	PR 1KS	Diesel	FWD	1896	77	105	10.06-12.10	■
1.9 TDI (BXE)	PR 1KS	Diesel	FWD	1896	77	105	10.06-12.10	■
2.0 TDI (AZV)	PR 1KS	Diesel	FWD	1968	100	136	11.06-03.09	■
2.0 TDI (BMM)	PR 1KS	Diesel	FWD	1968	103	140	10.06-11.10	■
2.0 TDI 16V (BKD)	PR 1KS	Diesel	FWD	1968	103	140	10.06-07.15	■
2.0 TDI 16V (CFHC)	PR 1KS	Diesel	FWD	1968	103	140	10.06-07.15	■
2.0 TDI 4x4 (BMM)	PR 1KS	Diesel	4WD	1968	103	140	06.07-11.10	■
2.0 TDI (BMN)	PR 1KS	Diesel	FWD	1968	125	170	06.07-12.13	■
2.0 TDI (CEGA)	PR 1KS	Diesel	FWD	1968	125	170	06.07-12.13	■
2.0 TDI 4x4 (BMN)	PR 1KS	Diesel	4WD	1968	125	170	06.07-06.13	■
2.0 TDI 4x4 (CEGA)	PR 1KS	Diesel	4WD	1968	125	170	06.07-06.13	■
2.0 TDI 4x4 (CFJA)	PR 1KS	Diesel	4WD	1968	125	170	06.07-06.13	■
ATECA (KH7, KHP) 04.16-				SUV (Compact SUV-J Segment)				
1.0 TSI		Gasolina	FWD	999	81	110	09.20-	■
1.0 TSI (CHZJ)		Gasolina	FWD	999	85	116	05.16-	■
1.0 TSI (DKRF)		Gasolina	FWD	999	85	116	05.16-	■
1.4 TSI (CZEA)		Gasolina	FWD	1395	110	150	06.16-	■
1.4 TSI 4Drive (CZEA)		Gasolina	4WD	1395	110	150	06.16-	■
1.5 TSI (DADA)		Gasolina	FWD	1498	110	150	07.18-	■
1.5 TSI (DPCA)		Gasolina	FWD	1498	110	150	07.18-	■
1.5 TSI 4Drive (DADA)		Gasolina	4WD	1498	110	150	07.18-	■
1.5 TSI 4Drive (DPCA)		Gasolina	4WD	1498	110	150	07.18-	■
2.0 TSI 4Drive (CZPB)		Gasolina	4WD	1984	140	190	05.17-	■
2.0 TSI 4Drive (DKZA)		Gasolina	4WD	1984	140	190	05.17-	■
1.6 TDI (DDYA)		Diesel	FWD	1598	85	115	04.16-	■
1.6 TDI (DGTE)		Diesel	FWD	1598	85	115	04.16-	■
2.0 TDI (CRVA)		Diesel	FWD	1968	81	110	10.16-	■

LISTA DE APLICACIONES - BUYERS GUIDE

2.0 TDI		Diesel	FWD	1968	85	116	01.21-	■	
2.0 TDI (CRVC)		Diesel	FWD	1968	105	143	10.16-	■	
2.0 TDI (DFFA)		Diesel	FWD	1968	110	150	04.16-	■	
2.0 TDI 4Drive (DFFA)		Diesel	4WD	1968	110	150	04.16-	■	
2.0 TDI 4Drive (DFHA)		Diesel	4WD	1968	140	190	06.16-	■	
LEON II (1P1) 05.05-12.13							Hatchback (Compact car-C Segment)		
1.2 TSI (CBZB)	PR 1KS, PR 1KT	Gasolina	FWD	1197	77	105	02.10-12.12	■	
1.4 16V (BXW)	PR 1KS, PR 1KT	Gasolina	FWD	1390	63	86	06.06-12.12	■	
1.4 16V (CGGB)	PR 1KS, PR 1KT	Gasolina	FWD	1390	63	86	06.06-12.12	■	
1.4 TSI (CAXC)	PR 1KS, PR 1KT	Gasolina	FWD	1390	92	125	11.07-12.12	■	
1.6 (BSE)	PR 1KS, PR 1KT	Gasolina	FWD	1595	75	102	07.05-12.12	■	
1.6 (BSF)	PR 1KS, PR 1KT	Gasolina	FWD	1595	75	102	07.05-12.12	■	
1.6 (CCSA)	PR 1KS, PR 1KT	Gasolina	FWD	1595	75	102	07.05-12.12	■	
1.8 TSI (BZB)	PR 1KS, PR 1KT	Gasolina	FWD	1798	118	160	06.07-12.12	■	
1.8 TSI (CDA A)	PR 1KS, PR 1KT	Gasolina	FWD	1798	118	160	06.07-12.12	■	
2.0 FSI (BLR)	PR 1KS, PR 1KT	Gasolina	FWD	1984	110	150	07.05-05.10	■	
2.0 FSI (BLY)	PR 1KS, PR 1KT	Gasolina	FWD	1984	110	150	07.05-05.10	■	
2.0 FSI (BVY)	PR 1KS, PR 1KT	Gasolina	FWD	1984	110	150	07.05-05.10	■	
2.0 FSI (BVZ)	PR 1KS, PR 1KT	Gasolina	FWD	1984	110	150	07.05-05.10	■	
2.0 TFSI (BWA1)	PR 1KS, PR 1KT	Gasolina	FWD	1984	136	185	09.05-05.06	■	
2.0 TFSI (BWA)	09/05-, PR 1KS, PR 1KT	Gasolina	FWD	1984	147	200	05.05-03.09	■	
2.0 TFSI (CCZB)	PR 1KS, PR 1KT	Gasolina	FWD	1984	155	211	06.09-12.12	■	
2.0 TFSI (BWJ)	PR 1KS, PR 1KT	Gasolina	FWD	1984	177	240	11.06-05.11	■	
2.0 TFSI (CDLD)	PR 1KS, PR 1KT	Gasolina	FWD	1984	177	240	11.06-05.11	■	
2.0 Cupra R (CDLA)	PR 1KS, PR 1KT	Gasolina	FWD	1984	195	265	09.09-12.12	■	
1.6 LPG (CHGA)	PR 1KS, PR 1KT	Gasol./Gas (LPG)	FWD	1595	75	102	12.09-12.12	■	
1.6 TDI (CAYB)	PR 1KS, PR 1KT	Diesel	FWD	1598	66	90	11.10-12.12	■	
1.6 TDI (CAYC)	PR 1KS, PR 1KT	Diesel	FWD	1598	77	105	02.10-12.12	■	
1.9 TDI (BXF)	PR 1KS, PR 1KT	Diesel	FWD	1896	66	90	06.07-12.10	■	
1.9 TDI (BKC)	PR 1KS, PR 1KT	Diesel	FWD	1896	77	105	07.05-12.10	■	
1.9 TDI (BLS)	PR 1KS, PR 1KT	Diesel	FWD	1896	77	105	07.05-12.10	■	
1.9 TDI (BXE)	PR 1KS, PR 1KT	Diesel	FWD	1896	77	105	07.05-12.10	■	
1.9 TDI	PR 1KS, PR 1KT	Diesel	RWD	1896	81	110	10.05-12.12	■	
2.0 TDI (AZV)	PR 1KS, PR 1KT	Diesel	FWD	1968	100	136	07.05-05.10	■	
2.0 TDI (BMM)	PR 1KS, PR 1KT	Diesel	FWD	1968	103	140	10.05-10.10	■	
2.0 TDI 16V (BKD)	PR 1KS, PR 1KT	Diesel	FWD	1968	103	140	07.05-12.12	■	
2.0 TDI 16V (CFHC)	PR 1KS, PR 1KT	Diesel	FWD	1968	103	140	07.05-12.12	■	
2.0 TDI 16V (CLCB)	PR 1KS, PR 1KT	Diesel	FWD	1968	103	140	07.05-12.12	■	
2.0 TDI (BMN)	PR 1KS, PR 1KT	Diesel	FWD	1968	125	170	05.06-12.12	■	
2.0 TDI (CEGA)	PR 1KS, PR 1KT	Diesel	FWD	1968	125	170	05.06-12.12	■	
2.0 TDI (CFJA)	PR 1KS, PR 1KT	Diesel	FWD	1968	125	170	05.06-12.12	■	
LEON III (5F1) 09.12-							Hatchback Van (Compact car-C Segment)		
1.0 TSI (CHZD)		Gasolina	FWD	999	85	115	05.15-08.20	■	
1.2 TSI (CYVB)		Gasolina	FWD	1197	81	110	04.14-08.18	■	
1.4 TSI (CMBA)		Gasolina	FWD	1395	90	122	09.12-10.16	■	
1.4 TSI (CXSA)		Gasolina	FWD	1395	90	122	09.12-10.16	■	
1.4 TSI (CHPA)		Gasolina	FWD	1395	103	140	09.12-10.16	■	
1.4 TSI (CPTA)		Gasolina	FWD	1395	103	140	09.12-10.16	■	
1.8 TFSI (CJSA)		Gasolina	FWD	1798	132	180	02.13-08.18	■	
1.6 TDI (CLHA)		Diesel	FWD	1598	77	105	09.12-10.16	■	

LISTA DE APLICACIONES - BUYERS GUIDE

1.6 TDI (CRKB)		Diesel	FWD	1598	81	110	09.13-10.16	■	
1.6 TDI (CXXB)		Diesel	FWD	1598	81	110	09.13-10.16	■	
1.6 TDI (DBKA)		Diesel	FWD	1598	81	110	09.13-10.16	■	
1.6 TDI (DDYA)		Diesel	FWD	1598	85	115	11.16-08.20	■	
2.0 TDI (CKFC)		Diesel	FWD	1968	110	150	10.12-08.18	■	
2.0 TDI (CRMB)		Diesel	FWD	1968	110	150	10.12-08.18	■	
2.0 TDI (CUNA)		Diesel	FWD	1968	135	184	02.13-08.18	■	
2.0 TDI (CUPA)		Diesel	FWD	1968	135	184	02.13-08.18	■	
LEON III (5F1) 09.12-							Hatchback (Compact car-C Segment)		
1.5 TSI (DACA)		Gasolina	FWD	1495	96	130	09.18-08.20	■	
1.5 TSI (DPBA)		Gasolina	FWD	1495	96	130	09.18-08.20	■	
1.5 TSI (DADA)		Gasolina	FWD	1498	110	150	09.18-08.20	■	
1.5 TSI (DPCA)		Gasolina	FWD	1498	110	150	09.18-08.20	■	
2.0 TSI (DKZA)		Gasolina	FWD	1984	140	190	09.18-08.20	■	
1.5 TGI (DHFA)		Gasol./Gas (CNG)	FWD	1498	96	131	10.18-08.20	■	
1.6 TDI (DDYA)		Diesel	FWD	1598	85	115	11.16-08.20	■	
1.6 TDI (DGTE)		Diesel	FWD	1598	85	115	11.16-08.20	■	
LEON III SC (5F5) 01.13-							Coupe (Compact car-C Segment)		
1.6 TDI (DDYA)		Diesel	FWD	1598	85	115	11.16-08.18	■	
2.0 TDI (CRVA)		Diesel	FWD	1968	81	110	02.13-08.18	■	
LEON III ST (5F8) 01.13-							Estate Van (Compact car-C Segment)		
1.0 TSI (CHZD)		Gasolina	FWD	999	85	115	05.15-08.20	■	
1.2 TSI (CYVB)		Gasolina	FWD	1197	81	110	05.14-08.18	■	
1.8 TFSI (CJSA)		Gasolina	FWD	1798	132	180	10.13-08.18	■	
1.6 TDI (CRKB)		Diesel	FWD	1598	81	110	09.13-08.20	■	
1.6 TDI (CXXB)		Diesel	FWD	1598	81	110	09.13-08.20	■	
1.6 TDI (DBKA)		Diesel	FWD	1598	81	110	09.13-08.20	■	
1.6 TDI (DDYA)		Diesel	FWD	1598	85	115	11.16-08.20	■	
2.0 TDI (CKFC)		Diesel	FWD	1968	110	150	04.13-08.18	■	
2.0 TDI (CRBC)		Diesel	FWD	1968	110	150	04.13-08.18	■	
2.0 TDI (CRLB)		Diesel	FWD	1968	110	150	04.13-08.18	■	
2.0 TDI (CRMB)		Diesel	FWD	1968	110	150	04.13-08.18	■	
2.0 TDI 4Drive (CRBC)		Diesel	4WD	1968	110	150	09.14-08.18	■	
2.0 TDI 4Drive (CRLB)		Diesel	4WD	1968	110	150	09.14-08.18	■	
2.0 TDI (CUNA)		Diesel	FWD	1968	135	184	08.13-08.18	■	
2.0 TDI (CUPA)		Diesel	FWD	1968	135	184	08.13-08.18	■	
2.0 TDI 4Drive (CUNA)		Diesel	4WD	1968	135	184	10.14-08.18	■	
LEON III ST (5F8) 09.12-							Estate (Compact car-C Segment)		
1.5 TSI (DACA)		Gasolina	FWD	1495	96	130	09.18-08.20	■	
1.5 TSI (DPBA)		Gasolina	FWD	1495	96	130	09.18-08.20	■	
1.5 TSI (DADA)		Gasolina	FWD	1498	110	150	09.18-08.20	■	
1.5 TSI (DPCA)		Gasolina	FWD	1498	110	150	09.18-08.20	■	
2.0 TSI (DKZA)		Gasolina	FWD	1984	140	190	07.18-08.20	■	
2.0 TSI 4Drive (DKZA)		Gasolina	4WD	1984	140	190	09.18-08.20	■	
1.5 TGI (DHFA)		Gasol./Gas (CNG)	FWD	1498	96	131	10.18-08.20	■	
1.6 TDI (DDYA)		Diesel	FWD	1598	85	115	11.16-08.20	■	
1.6 TDI (DGTE)		Diesel	FWD	1598	85	115	11.16-08.20	■	

LISTA DE APLICACIONES - BUYERS GUIDE

1.6 TDI 4Drive (DGTE)		Diesel	4WD	1598	85	115	07.18-08.20	■
LEON IV (KL1, KLG) 11.19-				Hatchback (Compact car-C Segment)				
1.0 TSI (DLAB)		Gasolina	FWD	999	66	90	03.20-	■
1.0 TSI (DLAA)		Gasolina	FWD	999	81	110	03.20-	■
1.5 TSI (DPBA)		Gasolina	FWD	1495	96	131	11.19-	■
1.5 TSI (DPCA)		Gasolina	FWD	1498	110	150	11.19-	■
2.0 TFSI		Gasolina	FWD	1984	140	190	03.21-	■
1.5 TGI CNG (DHFA)		Gasol./Gas (CNG)	FWD	1498	96	131	08.20-	■
1.0 TSI Mild Hybrid		Gasol./el éc.	FWD	999	81	110	08.20-	■
1.4 TSI e-Hybrid		Gasol./el éc.	FWD	1395	150	204	05.20-	■
1.5 eTSI (DFYA)		Gasol./el éc.	FWD	1498	110	150	11.19-	■
2.0 TDI (DSUD)		Diesel	FWD	1968	85	116	11.19-	■
2.0 TDI (DSTB)		Diesel	FWD	1968	110	150	11.19-	■
LEON IV Sportstourer (KL8, KLD) 03.20-				Estate (Compact car-C Segment)				
1.0 TSI (DLAB)		Gasolina	FWD	999	66	90	03.20-	■
1.0 TSI (DLAA)		Gasolina	FWD	999	81	110	03.20-	■
1.5 TSI (DPBA)		Gasolina	FWD	1495	96	131	03.20-	■
1.5 TSI (DPCA)		Gasolina	FWD	1498	110	150	03.20-	■
2.0 TFSI		Gasolina	FWD	1984	140	190	03.21-	■
1.5 TGI		Gasol./Gas (CNG)	FWD	1498	96	131	05.21-	■
1.0 TSI Mild Hybrid		Gasol./el éc.	FWD	999	81	110	08.20-	■
1.4 TSI e-Hybrid		Gasol./el éc.	FWD	1395	150	204	05.20-	■
1.5 eTSI (DFYA)		Gasol./el éc.	FWD	1498	110	150	03.20-	■
2.0 TDI		Diesel	FWD	1968	85	116	11.20-	■
2.0 TDI (DSTB)		Diesel	FWD	1968	110	150	04.20-	■
TDI 4Drive		Diesel	4WD	1968	110	150	11.20-	■
SKODA								
KAROQ (NU7, ND7) 07.17-				SUV (Compact Crossover CUV-C Segment)				
1.0 TSI		Gasolina	FWD	999	81	110	09.20-	■
1.0 TSI (CHZJ)		Gasolina	FWD	999	85	116	07.17-	■
1.0 TSI (DKRF)		Gasolina	FWD	999	85	116	07.17-	■
1.4 TSI (CZEA)		Gasolina	FWD	1395	110	150	07.17-	■
1.4 TSI 4x4 (CZEA)		Gasolina	4WD	1395	110	150	09.19-	■
1.5 TSI (DADA)		Gasolina	FWD	1498	110	150	07.17-	■
1.5 TSI (DPCA)		Gasolina	FWD	1498	110	150	07.17-	■
1.5 TSI 4x4 (DADA)		Gasolina	4WD	1498	110	150	07.17-	■
1.5 TSI 4x4 (DPCA)		Gasolina	4WD	1498	110	150	07.17-	■
1.6 SRE (CWVA)		Gasolina	FWD	1598	81	110	07.17-	■
2.0 TSI 4x4 (DKZA)		Gasolina	4WD	1984	140	190	11.18-	■
1.6 TDI (DDYA)		Diesel	FWD	1598	85	115	07.17-	■
1.6 TDI (DGTE)		Diesel	FWD	1598	85	115	07.17-	■
2.0 TDI		Diesel	FWD	1968	85	116	11.20-	■
2.0 TDI (DFFA)		Diesel	FWD	1968	110	150	07.17-	■
2.0 TDI 4x4 (DFFA)		Diesel	4WD	1968	110	150	07.17-	■
2.0 TDI 4x4 (DFHA)		Diesel	4WD	1968	140	190	07.17-	■

LISTA DE APLICACIONES - BUYERS GUIDE

OCTAVIA IV (NX3, NN3, PV3) 01.20-					Hatchback (Compact car-C Segment)			
1.0 TSI (DLAA)		Gasolina	FWD	999	81	110	06.20-	■
1.4 TSI (DJKA)		Gasolina	FWD	1395	110	150	01.21-	■
1.5 TSI (DPCA)		Gasolina	FWD	1498	110	150	01.20-	■
1.6 SRE (CWVA)		Gasolina	FWD	1598	81	110	07.20-	■
2.0 TSI 4x4 (CZPB, DNNA)		Gasolina	4WD	1984	140	190	07.20-	■
1.5 TSI G-TEC (DHFA)		Gasol./Gas (CNG)	FWD	1498	96	131	06.20-	■
1.0 TSI e-TEC (DLAA)		Gasol./el éc.	FWD	999	81	110	06.20-	■
1.4 TSI iV		Gasol./el éc.	FWD	1395	150	204	06.20-	■
1.5 TSI e-TEC		Gasol./el éc.	FWD	1498	110	150	11.20-	■
2.0 TDI (DSUD)		Diesel	FWD	1968	85	116	03.20-	■
2.0 TDI (CRVC)		Diesel	FWD	1968	105	143	06.20-	■
2.0 TDI (DSTB)		Diesel	FWD	1968	110	150	01.20-	■
2.0 TDI 4x4		Diesel	4WD	1968	110	150	09.20-	■
2.0 TDI RS (DTUA)		Diesel	FWD	1968	147	200	07.20-	■
2.0 TDI RS 4x4 (DTUA)		Diesel	4WD	1968	147	200	07.20-	■
OCTAVIA IV Combi (NX5, PV5) 11.19-					Estate (Compact car-C Segment)			
1.0 TSI (DLAA)		Gasolina	FWD	999	81	110	06.20-	■
1.4 TSI (DJKA)		Gasolina	FWD	1395	110	150	06.20-	■
1.5 TSI (DPCA)		Gasolina	FWD	1498	110	150	11.19-	■
1.6 SRE		Gasolina	FWD	1598	81	110	09.20-	■
2.0 TSI 4x4		Gasolina	4WD	1984	140	190	09.20-	■
1.5 TSI G-TEC (DHFA)		Gasol./Gas (CNG)	FWD	1498	96	131	06.20-	■
1.0 TSI e-TEC (DLAA)		Gasol./el éc.	FWD	999	81	110	06.20-	■
1.4 TSI iV		Gasol./el éc.	FWD	1395	150	204	06.20-	■
1.5 TSI e-TEC		Gasol./el éc.	FWD	1498	110	150	11.20-	■
2.0 TDI (DSUD)		Diesel	FWD	1968	85	116	11.19-	■
2.0 TDI (CRVC)		Diesel	FWD	1968	105	143	06.20-	■
2.0 TDI (DSTB)		Diesel	FWD	1968	110	150	11.19-	■
2.0 TDI 4x4		Diesel	4WD	1968	110	150	09.20-	■
2.0 TDI RS (DTUA)		Diesel	FWD	1968	147	200	07.20-	■
2.0 TDI RS 4x4 (DTUA)		Diesel	4WD	1968	147	200	07.20-	■
OCTAVIA II / LAURA (1Z3) 02.04-06.13					Hatchback (Compact car-C Segment)			
1.2 TSI (CBZB)	PR 1KS, PR 1KT	Gasolina	FWD	1197	77	105	02.10-06.13	■
1.4 (BCA)	PR 1KS, PR 1KT	Gasolina	FWD	1390	55	75	05.04-05.06	■
1.4 (BUD)	PR 1KS, PR 1KT	Gasolina	FWD	1390	59	80	06.04-04.13	■
1.4 (CGGA)	PR 1KS, PR 1KT	Gasolina	FWD	1390	59	80	06.04-04.13	■
1.4 TSI (CAXA)	PR 1KS, PR 1KT	Gasolina	FWD	1390	90	122	11.08-06.13	■
1.6 (BGU)	PR 1KS, PR 1KT	Gasolina	FWD	1595	75	102	06.04-06.13	■
1.6 (BSE)	PR 1KS, PR 1KT	Gasolina	FWD	1595	75	102	06.04-06.13	■
1.6 (BSF)	PR 1KS, PR 1KT	Gasolina	FWD	1595	75	102	06.04-06.13	■
1.6 (CCSA)	PR 1KS, PR 1KT	Gasolina	FWD	1595	75	102	06.04-06.13	■
1.6 (CMXA)	PR 1KS, PR 1KT	Gasolina	FWD	1595	75	102	06.04-06.13	■
1.6 FSI (BLF)	PR 1KS, PR 1KT	Gasolina	FWD	1598	85	115	02.04-10.08	■
1.8 T	PR 1KS, PR 1KT	Gasolina	FWD	1781	110	150	09.05-12.08	■

LISTA DE APLICACIONES - BUYERS GUIDE

1.8 TSI (CDAB)	PR 1KS, PR 1KT	Gasolina	FWD	1798	112	152	03.09-06.13	■	
1.8 TSI (BZB)	PR 1KS, PR 1KT	Gasolina	FWD	1798	118	160	06.07-04.13	■	
1.8 TSI (CDAA)	PR 1KS, PR 1KT	Gasolina	FWD	1798	118	160	06.07-04.13	■	
2.0 FSI (BLR)	PR 1KS, PR 1KT	Gasolina	FWD	1984	110	150	11.04-10.08	■	
2.0 FSI (BLY)	PR 1KS, PR 1KT	Gasolina	FWD	1984	110	150	11.04-10.08	■	
2.0 FSI (BVY)	PR 1KS, PR 1KT	Gasolina	FWD	1984	110	150	11.04-10.08	■	
2.0 FSI (BVZ)	PR 1KS, PR 1KT	Gasolina	FWD	1984	110	150	11.04-10.08	■	
1.6 LPG (BSE)	PR 1KS, PR 1KT	Gasol./Gas (LPG)	FWD	1595	75	102	08.09-11.12	■	
1.6 LPG (CHGA)	PR 1KS, PR 1KT	Gasol./Gas (LPG)	FWD	1595	75	102	08.09-11.12	■	
1.6 MultiFuel (CCSA)	09/09-, PR 1KS, PR 1KT	Gasol./Etanol	FWD	1595	75	102	01.08-06.13	■	
1.6 MultiFuel (CMXA)	09/09-, PR 1KS, PR 1KT	Gasol./Etanol	FWD	1595	75	102	01.08-06.13	■	
1.6 TDI (CAYC)	PR 1KS, PR 1KT	Diesel	FWD	1598	77	105	06.09-04.13	■	
1.9 TDI (BJB)	PR 1KS, PR 1KT	Diesel	FWD	1896	77	105	06.04-12.10	■	
1.9 TDI (BKC)	PR 1KS, PR 1KT	Diesel	FWD	1896	77	105	06.04-12.10	■	
1.9 TDI (BLS)	PR 1KS, PR 1KT	Diesel	FWD	1896	77	105	06.04-12.10	■	
1.9 TDI (BXE)	PR 1KS, PR 1KT	Diesel	FWD	1896	77	105	06.04-12.10	■	
2.0 TDI (CFHF)	PR 1KS, PR 1KT	Diesel	FWD	1968	81	110	03.10-06.13	■	
2.0 TDI (CLCA)	PR 1KS, PR 1KT	Diesel	FWD	1968	81	110	03.10-06.13	■	
2.0 TDI (AZV)	PR 1KS, PR 1KT	Diesel	FWD	1968	100	136	02.04-05.10	■	
2.0 TDI (BMM)	PR 1KS, PR 1KT	Diesel	FWD	1968	103	140	11.05-05.10	■	
2.0 TDI 16V (BKD)	PR 1KS, PR 1KT	Diesel	FWD	1968	103	140	02.04-04.13	■	
2.0 TDI 16V (CFHC)	PR 1KS, PR 1KT	Diesel	FWD	1968	103	140	02.04-04.13	■	
2.0 TDI 16V (CLCB)	PR 1KS, PR 1KT	Diesel	FWD	1968	103	140	02.04-04.13	■	
2.0 TDI RS (BMN)	04/08-, PR 1KS, PR 1KT	Diesel	FWD	1968	125	170	04.06-02.13	■	
2.0 TDI RS (CEGA)	04/08-, PR 1KS, PR 1KT	Diesel	FWD	1968	125	170	04.06-02.13	■	
OCTAVIA II Combi (1Z5) 02.04-06.13							Estate (Compact car-C Segment)		
1.2 TSI (CBZB)	PR 1KS, PR 1KT	Gasolina	FWD	1197	77	105	02.10-04.13	■	
1.4 (BCA)	PR 1KS, PR 1KT	Gasolina	FWD	1390	55	75	05.04-05.06	■	
1.4 (BUD)	PR 1KS, PR 1KT	Gasolina	FWD	1390	59	80	05.06-06.13	■	
1.4 (CGGA)	PR 1KS, PR 1KT	Gasolina	FWD	1390	59	80	05.06-06.13	■	
1.4 TSI (CAXA)	PR 1KS, PR 1KT	Gasolina	FWD	1390	90	122	11.08-06.13	■	
1.6 (BGU)	PR 1KS, PR 1KT	Gasolina	FWD	1595	75	102	09.04-06.13	■	
1.6 (BSE)	PR 1KS, PR 1KT	Gasolina	FWD	1595	75	102	09.04-06.13	■	
1.6 (BSF)	PR 1KS, PR 1KT	Gasolina	FWD	1595	75	102	09.04-06.13	■	
1.6 (CCSA)	PR 1KS, PR 1KT	Gasolina	FWD	1595	75	102	09.04-06.13	■	
1.6 (CMXA)	PR 1KS, PR 1KT	Gasolina	FWD	1595	75	102	09.04-06.13	■	
1.6 FSI (BLF)	PR 1KS, PR 1KT	Gasolina	FWD	1598	85	115	02.04-10.08	■	
1.8 TSI (CDAB)	PR 1KS, PR 1KT	Gasolina	FWD	1798	112	152	03.09-06.13	■	
1.8 TSI 4x4 (CDAB)	PR 1KS, PR 1KT	Gasolina	4WD	1798	112	152	03.09-02.13	■	
1.8 TSI (BZB)	PR 1KS, PR 1KT	Gasolina	FWD	1798	118	160	06.07-04.13	■	
1.8 TSI (CDAA)	PR 1KS, PR 1KT	Gasolina	FWD	1798	118	160	06.07-04.13	■	
1.8 TSI 4x4 (CDAA)	PR 1KS, PR 1KT	Gasolina	4WD	1798	118	160	11.08-02.13	■	
2.0 FSI (BLR)	PR 1KS, PR 1KT	Gasolina	FWD	1984	110	150	11.04-10.08	■	
2.0 FSI (BLY)	PR 1KS, PR 1KT	Gasolina	FWD	1984	110	150	11.04-10.08	■	
2.0 FSI (BVY)	PR 1KS, PR 1KT	Gasolina	FWD	1984	110	150	11.04-10.08	■	
2.0 FSI (BVZ)	PR 1KS, PR 1KT	Gasolina	FWD	1984	110	150	11.04-10.08	■	
2.0 FSI 4x4 (BLX)	PR 1KS, PR 1KT	Gasolina	4WD	1984	110	150	11.04-04.09	■	
2.0 FSI 4x4 (BLY)	PR 1KS, PR 1KT	Gasolina	4WD	1984	110	150	11.04-04.09	■	
2.0 FSI 4x4 (BVX)	PR 1KS, PR 1KT	Gasolina	4WD	1984	110	150	11.04-04.09	■	

LISTA DE APLICACIONES - BUYERS GUIDE

1.6 LPG (CHGA)	PR 1KS, PR 1KT	Gasol./Gas (LPG)	FWD	1595	75	102	08.09-11.12	■	
1.6 MultiFuel (CCSA)	09/09-, PR 1KS, PR 1KT	Gasol./Etanol	FWD	1595	75	102	01.08-06.13	■	
1.6 MultiFuel (CMXA)	09/09-, PR 1KS, PR 1KT	Gasol./Etanol	FWD	1595	75	102	01.08-06.13	■	
1.6 TDI (CAYC)	PR 1KS, PR 1KT	Diesel	FWD	1598	77	105	06.09-04.13	■	
1.6 TDI 4x4 (CAYC)	PR 1KS, PR 1KT	Diesel	4WD	1598	77	105	06.09-02.13	■	
1.9 TDI (BJB)	PR 1KS, PR 1KT	Diesel	FWD	1896	77	105	09.04-12.10	■	
1.9 TDI (BKC)	PR 1KS, PR 1KT	Diesel	FWD	1896	77	105	09.04-12.10	■	
1.9 TDI (BLS)	PR 1KS, PR 1KT	Diesel	FWD	1896	77	105	09.04-12.10	■	
1.9 TDI (BXE)	PR 1KS, PR 1KT	Diesel	FWD	1896	77	105	09.04-12.10	■	
1.9 TDI 4x4 (BKC)	PR 1KS, PR 1KT	Diesel	4WD	1896	77	105	11.04-12.10	■	
1.9 TDI 4x4 (BLS)	PR 1KS, PR 1KT	Diesel	4WD	1896	77	105	11.04-12.10	■	
1.9 TDI 4x4 (BXE)	PR 1KS, PR 1KT	Diesel	4WD	1896	77	105	11.04-12.10	■	
2.0 TDI (CFHF)	PR 1KS, PR 1KT	Diesel	FWD	1968	81	110	03.10-06.13	■	
2.0 TDI (CLCA)	PR 1KS, PR 1KT	Diesel	FWD	1968	81	110	03.10-06.13	■	
2.0 TDI 4x4 (CFHF)	PR 1KS, PR 1KT	Diesel	4WD	1968	81	110	05.11-02.13	■	
2.0 TDI 16V (AZV)	PR 1KS, PR 1KT	Diesel	FWD	1968	100	136	02.04-05.10	■	
2.0 TDI (BMM)	PR 1KS, PR 1KT	Diesel	FWD	1968	103	140	11.05-05.10	■	
2.0 TDI 16V (BKD)	PR 1KS, PR 1KT	Diesel	FWD	1968	103	140	02.04-05.13	■	
2.0 TDI 16V (CFHC)	PR 1KS, PR 1KT	Diesel	FWD	1968	103	140	02.04-05.13	■	
2.0 TDI 16V (CLCB)	PR 1KS, PR 1KT	Diesel	FWD	1968	103	140	02.04-05.13	■	
2.0 TDI 16V 4x4 (BKD)	PR 1KS, PR 1KT	Diesel	4WD	1968	103	140	05.10-02.13	■	
2.0 TDI 16V 4x4 (CFHC)	PR 1KS, PR 1KT	Diesel	4WD	1968	103	140	05.10-02.13	■	
2.0 TDI 16V 4x4 (CLCB)	PR 1KS, PR 1KT	Diesel	4WD	1968	103	140	05.10-02.13	■	
2.0 TDI 4x4 (BMM)	PR 1KS, PR 1KT	Diesel	4WD	1968	103	140	07.06-05.10	■	
2.0 TDI RS (BMN)	04/08-, PR 1KS, PR 1KT	Diesel	FWD	1968	125	170	04.06-02.13	■	
2.0 TDI RS (CEGA)	04/08-, PR 1KS, PR 1KT	Diesel	FWD	1968	125	170	04.06-02.13	■	
OCTAVIA III (5E3, NL3, NR3) 11.12-							Hatchback (Compact car-C Segment)		
1.5 TSI (DADA)		Gasolina	FWD	1498	110	150	02.17-10.20	■	
1.5 TSI (DPCA)		Gasolina	FWD	1498	110	150	02.17-10.20	■	
2.0 TSI (DKZA)		Gasolina	FWD	1984	140	190	02.17-10.20	■	
1.6 TDI 4x4 (DGTE)		Diesel	4WD	1598	85	115	02.17-10.20	■	
OCTAVIA III Combi (5E5, 5E6) 11.12-							Estate (Compact car-C Segment)		
1.5 TSI (DADA)		Gasolina	FWD	1498	110	150	02.17-10.20	■	
1.5 TSI (DPCA)		Gasolina	FWD	1498	110	150	02.17-10.20	■	
2.0 TSI (DKZA)		Gasolina	FWD	1984	140	190	02.17-10.20	■	
2.0 TSI 4x4 (DKZA)		Gasolina	4WD	1984	140	190	02.19-10.20	■	
1.5 TSI G-TEC (DHFA)		Gasol./Gas (CNG)	FWD	1498	96	130	01.19-10.20	■	
1.6 TDI 4x4 (DGTE)		Diesel	4WD	1598	85	115	02.17-10.20	■	
SUPERB II (3T5) 10.09-05.15							Estate (Executive car-E Segment)		
1.4 TSI (CAXC)	PR 1KS	Gasolina	FWD	1390	92	125	10.09-05.15	■	
1.8 TSI (CDAB)	PR 1KS	Gasolina	FWD	1798	112	152	10.09-05.15	■	
1.8 TSI 4x4 (CDAB)	PR 1KS	Gasolina	4WD	1798	112	152	10.09-05.15	■	
1.8 TSI (CDAA)	PR 1KS	Gasolina	FWD	1798	118	160	10.09-05.15	■	
1.8 TSI 4x4 (CDAA)	PR 1KS	Gasolina	4WD	1798	118	160	10.09-05.15	■	
2.0 TFSI (CCZA)	PR 1KS	Gasolina	FWD	1984	147	200	05.10-05.15	■	
3.6 V6 4x4 (CDVA)	PR 1KS	Gasolina	4WD	3597	191	260	10.09-05.15	■	
1.6 TDI (CAYC)	PR 1KS	Diesel	FWD	1598	77	105	09.10-05.15	■	
2.0 TDI (BMP)	PR 1KS	Diesel	FWD	1968	103	140	10.09-03.10	■	

LISTA DE APLICACIONES - BUYERS GUIDE

2.0 TDI 16V (BKD)	PR 1KS	Diesel	FWD	1968	103	140	10.09-05.15	■	
2.0 TDI 16V (CFFB)	PR 1KS	Diesel	FWD	1968	103	140	10.09-05.15	■	
2.0 TDI 16V (CLJA)	PR 1KS	Diesel	FWD	1968	103	140	10.09-05.15	■	
2.0 TDI 16V 4x4 (CFFB)	PR 1KS	Diesel	4WD	1968	103	140	11.10-05.15	■	
2.0 TDI (CBBB)	PR 1KS	Diesel	FWD	1968	125	170	10.09-05.15	■	
2.0 TDI (CFGB)	PR 1KS	Diesel	FWD	1968	125	170	10.09-05.15	■	
2.0 TDI 4x4 (CBBB)	PR 1KS	Diesel	4WD	1968	125	170	10.09-05.15	■	
2.0 TDI 4x4 (CFGB)	PR 1KS	Diesel	4WD	1968	125	170	10.09-05.15	■	
SUPERB II (3T4) 03.08-05.15							Hatchback (Executive car-E Segment)		
1.4 TSI (CAXC)	PR 1KS	Gasolina	FWD	1390	92	125	07.08-05.15	■	
1.8 TSI (CDAB)	PR 1KS	Gasolina	FWD	1798	112	152	03.09-05.15	■	
1.8 TSI 4x4 (CDAB)	PR 1KS	Gasolina	4WD	1798	112	152	03.09-05.15	■	
1.8 TSI (BZB)	PR 1KS	Gasolina	FWD	1798	118	160	03.08-05.15	■	
1.8 TSI (CDAA)	PR 1KS	Gasolina	FWD	1798	118	160	03.08-05.15	■	
1.8 TSI 4x4 (CDAA)	PR 1KS	Gasolina	4WD	1798	118	160	11.08-05.15	■	
2.0 TFSI (CCZA)	PR 1KS	Gasolina	FWD	1984	147	200	05.10-05.15	■	
3.6 FSI 4x4 (CDVA)	PR 1KS	Gasolina	4WD	3597	191	260	11.08-05.15	■	
1.6 TDI (CAYC)	PR 1KS	Diesel	FWD	1598	77	105	09.10-05.15	■	
1.9 TDI (BLS)	08/08-, PR 1KS	Diesel	FWD	1896	77	105	03.08-11.10	■	
1.9 TDI (BXE)	08/08-, PR 1KS	Diesel	FWD	1896	77	105	03.08-11.10	■	
2.0 TDI (BMP)	PR 1KS	Diesel	FWD	1968	103	140	03.08-05.10	■	
2.0 TDI 16V (BKD)	PR 1KS	Diesel	FWD	1968	103	140	01.09-05.15	■	
2.0 TDI 16V (CFFB)	PR 1KS	Diesel	FWD	1968	103	140	01.09-05.15	■	
2.0 TDI 16V (CLJA)	PR 1KS	Diesel	FWD	1968	103	140	01.09-05.15	■	
2.0 TDI 16V 4x4 (CFFB)	PR 1KS	Diesel	4WD	1968	103	140	11.10-05.15	■	
2.0 TDI (CBBB)	PR 1KS	Diesel	FWD	1968	125	170	07.08-05.15	■	
2.0 TDI (CFGB)	PR 1KS	Diesel	FWD	1968	125	170	07.08-05.15	■	
2.0 TDI 4x4 (CBBB)	PR 1KS	Diesel	4WD	1968	125	170	09.08-05.15	■	
2.0 TDI 4x4 (CFGB)	PR 1KS	Diesel	4WD	1968	125	170	09.08-05.15	■	
YETI (5L) 05.09-							SUV (Mini SUV-J Segment)		
1.2 TSI (CBZB)	PR 1KS	Gasolina	FWD	1197	77	105	09.09-05.15	■	
1.4 TSI (CAXA)	PR 1KS	Gasolina	FWD	1390	90	122	06.10-05.15	■	
1.8 TSI 4x4 (CDAB)	PR 1KS	Gasolina	4WD	1798	112	152	11.09-12.17	■	
1.8 TSI 4x4 (CDAA)	PR 1KS	Gasolina	4WD	1798	118	160	05.09-12.17	■	
1.6 TDI (CAYC)	PR 1KS	Diesel	FWD	1598	77	105	11.10-05.15	■	
2.0 TDI (CFHA)	PR 1KS	Diesel	FWD	1968	81	110	11.09-12.17	■	
2.0 TDI (CLCA)	PR 1KS	Diesel	FWD	1968	81	110	11.09-12.17	■	
2.0 TDI (CUUA)	PR 1KS	Diesel	FWD	1968	81	110	11.09-12.17	■	
2.0 TDI (DFSA)	PR 1KS	Diesel	FWD	1968	81	110	11.09-12.17	■	
2.0 TDI 4x4 (CFHF)	PR 1KS	Diesel	4WD	1968	81	110	11.09-12.17	■	
2.0 TDI 4x4 (CUUA)	PR 1KS	Diesel	4WD	1968	81	110	11.09-12.17	■	
2.0 TDI 4x4 (DFSA)	PR 1KS	Diesel	4WD	1968	81	110	11.09-12.17	■	
2.0 TDI 4x4 (CBDB)	PR 1KS	Diesel	4WD	1968	103	140	05.09-12.17	■	
2.0 TDI 4x4 (CFHC)	PR 1KS	Diesel	4WD	1968	103	140	05.09-12.17	■	
2.0 TDI 4x4 (CLCB)	PR 1KS	Diesel	4WD	1968	103	140	05.09-12.17	■	
2.0 TDI 4x4 (CEGA)	PR 1KS	Diesel	4WD	1968	125	170	11.09-05.15	■	
2.0 TDI 4x4 (CFJA)	PR 1KS	Diesel	4WD	1968	125	170	11.09-05.15	■	
SKODA (SVW)									
OCTAVIA (913) 06.07-							Hatchback (Compact car-C Segment)		
1.4 TSI	PR 1KS, PR 1KT	Gasolina	FWD	1390	96	131	08.09-	■	

LISTA DE APLICACIONES - BUYERS GUIDE

1.6	PR 1KS, PR 1KT	Gasolina	FWD	1598	77	105	06.07-12.17	■	
1.6	PR 1KS, PR 1KT	Gasolina	FWD	1598	77	105	01.10-12.15	■	
1.8 TSI	PR 1KS, PR 1KT	Gasolina	FWD	1798	118	160	06.07-03.14	■	
VW									
BEETLE / NOVO FUSCA (5C1, 5C2) 04.11-						Hatchback (Compact car-C Segment)			
1.2 TSI (CBZB)	PR 1KS, PR 1KT	Gasolina	FWD	1197	77	105	07.11-07.19	■	
1.4 TSI (CAVD)	PR 1KS, PR 1KT	Gasolina	FWD	1390	118	160	10.11-07.16	■	
1.4 TSI (CNWA)	PR 1KS, PR 1KT	Gasolina	FWD	1390	118	160	10.11-07.16	■	
1.4 TSI (CTHD)	PR 1KS, PR 1KT	Gasolina	FWD	1390	118	160	10.11-07.16	■	
1.4 TSI (CTKA)	PR 1KS, PR 1KT	Gasolina	FWD	1390	118	160	10.11-07.16	■	
2.0 TFSI (CBFA)	PR 1KS, PR 1KT	Gasolina	FWD	1984	147	200	04.11-07.16	■	
2.0 TFSI (CCTA)	PR 1KS, PR 1KT	Gasolina	FWD	1984	147	200	04.11-07.16	■	
2.0 TFSI (CCZA)	PR 1KS, PR 1KT	Gasolina	FWD	1984	147	200	04.11-07.16	■	
1.6 TDI (CAYC)	PR 1KS, PR 1KT	Diesel	FWD	1598	77	105	10.11-07.16	■	
2.0 TDI (CFFB)	PR 1KS, PR 1KT	Diesel	FWD	1968	103	140	04.11-07.16	■	
2.0 TDI (CJAA)	PR 1KS, PR 1KT	Diesel	FWD	1968	103	140	04.11-07.16	■	
CADDY III (2KA, 2KH, 2CA, 2CH) 03.04-03.16						Box Body/MPV (LCVs-N1 Segment)			
1.0 TSI (CHZG)		Gasolina	FWD	999	75	102	11.15-09.20	■	
1.0 TSI (DKRE)		Gasolina	FWD	999	75	102	11.15-09.20	■	
1.2 TSI (CYVC)		Gasolina	FWD	1197	62	84	06.15-09.20	■	
1.2 TSI (CBZA)	PR 1ZA, PR 1ZE, PR 2E3	Gasolina	FWD	1197	63	86	09.10-05.15	■	
1.2 TSI (CBZB)	PR 1ZA, PR 1ZE, PR 2E3	Gasolina	FWD	1197	77	105	09.10-05.15	■	
1.4 (BCA)	ch- 2K-B-200 001, PR 1ZA, PR 1ZE, PR 2E3	Gasolina	FWD	1390	55	75	03.04-05.06	■	
1.4 (BUD)	ch- 2K-B-200 001, PR 1ZA, PR 1ZE, PR 2E3	Gasolina	FWD	1390	59	80	05.06-08.10	■	
1.4 TSI (CZCB)		Gasolina	FWD	1395	92	125	05.15-09.20	■	
1.4 TSI (DJKD)		Gasolina	FWD	1395	96	131	06.19-09.20	■	
1.6 (BGU)	ch- 2K-B-200 001, PR 1ZA, PR 1ZE, PR 2E3	Gasolina	FWD	1595	75	102	04.04-05.15	■	
1.6 (BSE)	ch- 2K-B-200 001, PR 1ZA, PR 1ZE, PR 2E3	Gasolina	FWD	1595	75	102	04.04-05.15	■	
1.6 (BSF)	ch- 2K-B-200 001, PR 1ZA, PR 1ZE, PR 2E3	Gasolina	FWD	1595	75	102	04.04-05.15	■	
1.6 SRE (CWVA)		Gasolina	FWD	1598	81	110	11.15-09.20	■	
1.6 BiFuel (CHGA)	ch- 2K-B-200 001, PR 1ZA, PR 1ZE, PR 2E3	Gasol./Gas (LPG)	FWD	1595	75	102	05.11-05.15	■	
1.4 TGI CNG (CPWA)		Gasol./Gas (CNG)	FWD	1395	81	110	06.15-09.20	■	
ABT e-Caddy (BOSCH SMG-180.1.3)		Eléctrico	FWD		83	113	04.20-12.20	■	
1.6 TDI (CAYE)	PR 1ZA, PR 1ZE, PR 2E3	Diesel	FWD	1598	55	75	08.10-05.15	■	
1.6 TDI (CAYE)		Diesel	FWD	1598	55	75	05.15-11.17	■	
1.6 TDI (CAYD)	PR 1ZA, PR 1ZE, PR 2E3	Diesel	FWD	1598	75	102	08.10-05.15	■	
1.6 TDI (CAYD)		Diesel	FWD	1598	75	102	05.15-09.20	■	
1.9 TDI (BSU)	ch- 2K-B-200 001, PR 1ZA, PR 1ZE, PR 2E3	Diesel	FWD	1896	55	75	09.05-08.10	■	
1.9 TDI (BJB)	ch- 2K-B-200 001, PR 1ZA, PR 1ZE, PR 2E3	Diesel	FWD	1896	77	105	04.04-08.10	■	
1.9 TDI (BLS)	ch- 2K-B-200 001, PR 1ZA, PR 1ZE, PR 2E3	Diesel	FWD	1896	77	105	04.04-08.10	■	
1.9 TDI 4motion (BLS)	ch- 2K-B-200 001, PR 1ZA, PR 1ZE, PR 2E3	Diesel	4WD	1896	77	105	11.08-08.10	■	
2.0 SDI (BDJ)	ch- 2K-B-200 001, PR 1ZA, PR 1ZE, PR 2E3	Diesel	FWD	1968	51	70	03.04-08.10	■	
2.0 SDI (BST)	ch- 2K-B-200 001, PR 1ZA, PR 1ZE, PR 2E3	Diesel	FWD	1968	51	70	03.04-08.10	■	
2.0 TDI (CUUF)		Diesel	FWD	1968	55	75	05.15-09.20	■	

LISTA DE APLICACIONES - BUYERS GUIDE

2.0 TDI (DFSC)		Diesel	FWD	1968	55	75	05.15-09.20	■
2.0 TDI (DFSF)		Diesel	FWD	1968	55	75	05.15-09.20	■
2.0 TDI 4motion (DFSC)		Diesel	4WD	1968	55	75	11.15-07.19	■
2.0 TDI (CFHE)	ch- 2K-B-200 001, PR 1ZA, PR 1ZE, PR 2E3	Diesel	FWD	1968	62	85	11.10-05.15	■
2.0 TDI 4motion (CFHE)	ch- 2K-B-200 001, PR 1ZA, PR 1ZE, PR 2E3	Diesel	4WD	1968	62	85	12.10-05.15	■
2.0 TDI (CUUD)		Diesel	FWD	1968	75	102	05.15-09.20	■
2.0 TDI (DFSD)		Diesel	FWD	1968	75	102	05.15-09.20	■
2.0 TDI (CLCA)	ch- 2K-B-200 001, PR 1ZA, PR 1ZE, PR 2E3	Diesel	FWD	1968	81	110	08.10-05.15	■
2.0 TDI 4motion (CFHF)	PR 1ZA, PR 1ZE, PR 2E3	Diesel	4WD	1968	81	110	08.10-05.15	■
2.0 TDI 4motion (CFHF)		Diesel	4WD	1968	81	110	05.15-09.20	■
2.0 TDI 4motion (CLCA)		Diesel	4WD	1968	81	110	05.15-09.20	■
2.0 TDI 4motion (CUUE)		Diesel	4WD	1968	90	122	05.15-09.20	■
2.0 TDI 4motion (DFSE)		Diesel	4WD	1968	90	122	05.15-09.20	■
2.0 TDI (BMM)	ch- 2K-B-200 001, PR 1ZA, PR 1ZE, PR 2E3	Diesel	FWD	1968	103	140	09.07-08.10	■
2.0 TDI (CFHC)		Diesel	FWD	1968	103	140	05.15-09.20	■
2.0 TDI (CLCB)		Diesel	FWD	1968	103	140	05.15-09.20	■
2.0 TDI 16V (CFHC)	PR 1ZA, PR 1ZE, PR 2E3	Diesel	FWD	1968	103	140	11.10-05.15	■
2.0 TDI 16V (CLCB)	PR 1ZA, PR 1ZE, PR 2E3	Diesel	FWD	1968	103	140	11.10-05.15	■
2.0 TDI 16V 4motion (CFHC)	PR 1ZA, PR 1ZE, PR 2E3	Diesel	4WD	1968	103	140	11.10-05.15	■
2.0 TDI 4motion (CFHC)		Diesel	4WD	1968	103	140	05.15-09.20	■
2.0 TDI (CUUB)		Diesel	FWD	1968	110	150	05.15-09.20	■
2.0 TDI (DFSB)		Diesel	FWD	1968	110	150	05.15-09.20	■
2.0 TDI 4motion (DFSB)		Diesel	4WD	1968	110	150	11.15-09.20	■
2.0 TDI (CFJA)	PR 1ZA, PR 1ZE, PR 2E3	Diesel	FWD	1968	125	170	05.12-05.15	■
2.0 EcoFuel (BSX)	ch- 2K-B-200 001, PR 1ZA, PR 1ZE, PR 2E3	CNG	FWD	1984	80	109	04.06-05.15	■
CADDY III (2KB, 2KJ, 2CB, 2CJ) 03.04-03.16				MPV (Mini MPV-M1 Segment)				
1.0 TSI (DKRD)		Gasolina	FWD	999	62	84	11.18-07.19	■
1.0 TSI (CHZG)		Gasolina	FWD	999	75	102	11.15-09.20	■
1.0 TSI (DKRE)		Gasolina	FWD	999	75	102	11.15-09.20	■
1.2 TSI (CYVC)		Gasolina	FWD	1197	62	84	06.15-09.20	■
1.2 TSI (CBZA)	PR 1ZA, PR 1ZE, PR 2E3	Gasolina	FWD	1197	63	86	09.10-05.15	■
1.2 TSI (CBZB)	PR 1ZA, PR 1ZE, PR 2E3	Gasolina	FWD	1197	77	105	09.10-05.15	■
1.4 (BCA)	ch- 2K-B-200 001, PR 1ZA, PR 1ZE, PR 2E3	Gasolina	FWD	1390	55	75	03.04-05.06	■
1.4 (BUD)	ch- 2K-B-200 001, PR 1ZA, PR 1ZE, PR 2E3	Gasolina	FWD	1390	59	80	05.06-08.10	■
1.4 TSI (CZCB)		Gasolina	FWD	1395	92	125	05.15-09.20	■
1.4 TSI (DJKD)		Gasolina	FWD	1395	96	131	07.18-09.20	■
1.6	ch- 2K-B-200 001, PR 1ZA, PR 1ZE, PR 2E3	Gasolina	FWD	1595	65	88	01.05-12.09	■
1.6	ch- 2K-B-200 001, PR 1ZA, PR 1ZE, PR 2E3	Gasolina	FWD	1595	74	101	03.05-05.15	■
1.6 (BGU)	ch- 2K-B-200 001, PR 1ZA, PR 1ZE, PR 2E3	Gasolina	FWD	1595	75	102	04.04-05.15	■
1.6 (BSE)	ch- 2K-B-200 001, PR 1ZA, PR 1ZE, PR 2E3	Gasolina	FWD	1595	75	102	04.04-05.15	■
1.6 (BSF)	ch- 2K-B-200 001, PR 1ZA, PR 1ZE, PR 2E3	Gasolina	FWD	1595	75	102	04.04-05.15	■
1.6 SRE (CWVA)		Gasolina	FWD	1598	81	110	11.15-09.20	■
1.6 BiFuel (CHGA)	ch- 2K-B-200 001, PR 1ZA, PR 1ZE, PR 2E3	Gasol./Gas (LPG)	FWD	1595	75	102	05.11-05.15	■
1.4 TGI CNG (CPWA)		Gasol./Gas (CNG)	FWD	1395	81	110	06.15-09.20	■

LISTA DE APLICACIONES - BUYERS GUIDE

ABT e-Caddy (BOSCH SMG-180.1.3)		Eléctrico	FWD		83	113	04.20-12.20	■	
1.6 TDI (CAYE)	PR 1ZA, PR 1ZE, PR 2E3	Diesel	FWD	1598	55	75	08.10-05.15	■	
1.6 TDI (CAYE)		Diesel	FWD	1598	55	75	05.15-11.17	■	
1.6 TDI (CAYD)	PR 1ZA, PR 1ZE, PR 2E3	Diesel	FWD	1598	75	102	08.10-05.15	■	
1.6 TDI (CAYD)		Diesel	FWD	1598	75	102	05.15-09.20	■	
1.9 D	ch- 2K-B-200 001, PR 1ZA, PR 1ZE, PR 2E3	Diesel	FWD	1896	48	65	10.05-06.09	■	
1.9 TDI (BSU)	ch- 2K-B-200 001, PR 1ZA, PR 1ZE, PR 2E3	Diesel	FWD	1896	55	75	09.05-08.10	■	
1.9 TDI (BJB)	ch- 2K-B-200 001, PR 1ZA, PR 1ZE, PR 2E3	Diesel	FWD	1896	77	105	04.04-08.10	■	
1.9 TDI (BLS)	ch- 2K-B-200 001, PR 1ZA, PR 1ZE, PR 2E3	Diesel	FWD	1896	77	105	04.04-08.10	■	
1.9 TDI 4motion (BLS)	ch- 2K-B-200 001, PR 1ZA, PR 1ZE, PR 2E3	Diesel	4WD	1896	77	105	05.08-08.10	■	
2.0 SDI (BDJ)	ch- 2K-B-200 001, PR 1ZA, PR 1ZE, PR 2E3	Diesel	FWD	1968	51	70	03.04-08.10	■	
2.0 SDI (BST)	ch- 2K-B-200 001, PR 1ZA, PR 1ZE, PR 2E3	Diesel	FWD	1968	51	70	03.04-08.10	■	
2.0 TDI (CUUF)		Diesel	FWD	1968	55	75	05.15-09.20	■	
2.0 TDI (DFSF)		Diesel	FWD	1968	55	75	05.15-09.20	■	
2.0 TDI (CUUD)		Diesel	FWD	1968	75	102	05.15-09.20	■	
2.0 TDI (DFSD)		Diesel	FWD	1968	75	102	05.15-09.20	■	
2.0 TDI (CLCA)	ch- 2K-B-200 001, PR 1ZA, PR 1ZE, PR 2E3	Diesel	FWD	1968	81	110	08.10-05.15	■	
2.0 TDI 4motion (CFHF)	PR 1ZA, PR 1ZE, PR 2E3	Diesel	4WD	1968	81	110	08.10-05.15	■	
2.0 TDI 4motion (CFHF)		Diesel	4WD	1968	81	110	05.15-09.20	■	
2.0 TDI 4motion (CLCA)		Diesel	4WD	1968	81	110	05.15-09.20	■	
2.0 TDI 4motion (CUUE)		Diesel	4WD	1968	90	122	05.15-09.20	■	
2.0 TDI 4motion (DFSE)		Diesel	4WD	1968	90	122	05.15-09.20	■	
2.0 TDI (BMM)	ch- 2K-B-200 001, PR 1ZA, PR 1ZE, PR 2E3	Diesel	FWD	1968	103	140	09.07-08.10	■	
2.0 TDI (CFHC)		Diesel	FWD	1968	103	140	05.15-09.20	■	
2.0 TDI (CLCB)		Diesel	FWD	1968	103	140	05.15-09.20	■	
2.0 TDI 16V (CFHC)	PR 1ZA, PR 1ZE, PR 2E3	Diesel	FWD	1968	103	140	11.10-05.15	■	
2.0 TDI 16V (CLCB)	PR 1ZA, PR 1ZE, PR 2E3	Diesel	FWD	1968	103	140	11.10-05.15	■	
2.0 TDI 16V 4motion (CFHC)	ch- 2K-B-200 001, PR 1ZA, PR 1ZE, PR 2E3	Diesel	4WD	1968	103	140	11.10-05.15	■	
2.0 TDI 4motion (CFHC)		Diesel	4WD	1968	103	140	05.15-09.20	■	
2.0 TDI (CUUB)		Diesel	FWD	1968	110	150	05.15-09.20	■	
2.0 TDI (DFSB)		Diesel	FWD	1968	110	150	05.15-09.20	■	
2.0 TDI 4motion (DFSB)		Diesel	4WD	1968	110	150	11.15-09.20	■	
2.0 TDI (CFJA)	PR 1ZA, PR 1ZE, PR 2E3	Diesel	FWD	1968	125	170	05.12-05.15	■	
2.0 EcoFuel (BSX)	ch- 2K-B-200 001, PR 1ZA, PR 1ZE, PR 2E3	CNG	FWD	1984	80	109	04.06-05.15	■	
CADDY III ALLTRACK (SAA) 05.15-					Box Body/MPV (LCVs-N1 Segment)				
1.0 TSI (CHZG)		Gasolina	FWD	999	75	102	11.15-09.20	■	
1.2 TSI (CYVC)		Gasolina	FWD	1197	62	84	06.15-09.20	■	
1.4 TSI (CZCB)		Gasolina	FWD	1395	92	125	05.15-09.20	■	
1.4 TSI (DJKD)		Gasolina	FWD	1395	96	131	06.19-09.20	■	
1.6 SRE		Gasolina	FWD	1598	81	110	11.15-09.20	■	
1.4 TGI CNG (CPWA)		Gasol./Gas (CNG)	FWD	1395	81	110	06.15-09.20	■	
1.6 TDI (CAYE)		Diesel	FWD	1598	55	75	05.15-11.17	■	
1.6 TDI (CAYD)		Diesel	FWD	1598	75	102	05.15-09.20	■	
2.0 TDI (CUUF)		Diesel	FWD	1968	55	75	05.15-09.20	■	
2.0 TDI (DFSC)		Diesel	FWD	1968	55	75	05.15-09.20	■	

LISTA DE APLICACIONES - BUYERS GUIDE

2.0 TDI (DFSF)		Diesel	FWD	1968	55	75	05.15-09.20	■	
2.0 TDI (CUUD)		Diesel	FWD	1968	75	102	05.15-09.20	■	
2.0 TDI (DFSD)		Diesel	FWD	1968	75	102	05.15-09.20	■	
2.0 TDI		Diesel	FWD	1968	81	110	09.15-09.20	■	
2.0 TDI 4motion (CFHF)		Diesel	4WD	1968	81	110	05.15-09.20	■	
2.0 TDI 4motion (CUUE)		Diesel	4WD	1968	90	122	05.15-09.20	■	
2.0 TDI 4motion (DFSE)		Diesel	4WD	1968	90	122	05.15-09.20	■	
2.0 TDI (CFHC)		Diesel	FWD	1968	103	140	05.15-09.20	■	
2.0 TDI (CLCB)		Diesel	FWD	1968	103	140	05.15-09.20	■	
2.0 TDI 4motion (CFHC)		Diesel	4WD	1968	103	140	05.15-09.20	■	
2.0 TDI (CUUB)		Diesel	FWD	1968	110	150	05.15-09.20	■	
2.0 TDI (DFSB)		Diesel	FWD	1968	110	150	05.15-09.20	■	
2.0 TDI 4motion (DFSB)		Diesel	4WD	1968	110	150	11.15-09.20	■	
CADDY III ALLTRACK (SAB) 05.15-					MPV (Mini MPV-M1 Segment)				
1.0 TSI (DKRD)		Gasolina	FWD	999	62	84	11.18-07.19	■	
1.0 TSI (CHZG)		Gasolina	FWD	999	75	102	11.15-09.20	■	
1.2 TSI (CYVC)		Gasolina	FWD	1197	62	84	06.15-09.20	■	
1.4 TSI (CZCB)		Gasolina	FWD	1395	92	125	05.15-09.20	■	
1.4 TSI (DJKD)		Gasolina	FWD	1395	96	131	07.18-09.20	■	
1.6 SRE		Gasolina	FWD	1598	81	110	11.15-09.20	■	
1.4 TGI CNG (CPWA)		Gasol./Gas (CNG)	FWD	1395	81	110	06.15-09.20	■	
1.6 TDI (CAYE)		Diesel	FWD	1598	55	75	05.15-11.17	■	
1.6 TDI (CAYD)		Diesel	FWD	1598	75	102	05.15-09.20	■	
2.0 TDI (CUUF)		Diesel	FWD	1968	55	75	05.15-09.20	■	
2.0 TDI (DFSF)		Diesel	FWD	1968	55	75	05.15-09.20	■	
2.0 TDI (CUUD)		Diesel	FWD	1968	75	102	05.15-09.20	■	
2.0 TDI (DFSD)		Diesel	FWD	1968	75	102	05.15-09.20	■	
2.0 TDI 4motion (CFHF)		Diesel	4WD	1968	81	110	05.15-09.20	■	
2.0 TDI 4motion (CUUE)		Diesel	4WD	1968	90	122	05.15-09.20	■	
2.0 TDI 4motion (DFSE)		Diesel	4WD	1968	90	122	05.15-09.20	■	
2.0 TDI (CFHC)		Diesel	FWD	1968	103	140	05.15-09.20	■	
2.0 TDI 4motion (CFHC)		Diesel	4WD	1968	103	140	05.15-09.20	■	
2.0 TDI (CUUB)		Diesel	FWD	1968	110	150	05.15-09.20	■	
2.0 TDI (DFSB)		Diesel	FWD	1968	110	150	05.15-09.20	■	
2.0 TDI 4motion (DFSB)		Diesel	4WD	1968	110	150	11.15-09.20	■	
CADDY IV (SBA, SBH) 09.20-					Box Body/MPV (LCVs-N1 Segment)				
1.5 TSi EVO		Gasolina	FWD	1498	84	114	01.21-11.24	■	
1.6 SRE		Gasolina	FWD	1598	81	110	02.21-	■	
1.5 TGI CNG		Gasol./Gas (CNG)	FWD	1498	96	131	06.22-04.24	■	
2.0 TDI (DTRF)		Diesel	FWD	1968	55	75	09.20-	■	
2.0 TDI (DTRE)		Diesel	FWD	1968	75	102	09.20-	■	
2.0 TDI (DTRC)		Diesel	FWD	1968	90	122	09.20-	■	
2.0 TDI 4motion		Diesel	4WD	1968	90	122	03.21-	■	
CADDY IV (SBB, SBJ) 09.20-					MPV (Mini MPV-M1 Segment)				
1.5 TSi EVO		Gasolina	FWD	1498	84	114	01.21-11.24	■	
1.6 SRE		Gasolina	FWD	1598	81	110	02.21-	■	
1.5 TGI CNG		Gasol./Gas (CNG)	FWD	1498	96	131	06.22-04.24	■	

LISTA DE APLICACIONES - BUYERS GUIDE

2.0 TDI		Diesel	FWD	1968	55	75	09.20-	■	
2.0 TDI (DTRE)		Diesel	FWD	1968	75	102	09.20-	■	
2.0 TDI (DTRC)		Diesel	FWD	1968	90	122	09.20-	■	
2.0 TDI 4motion		Diesel	4WD	1968	90	122	03.21-	■	
CADDY CALIFORNIA V (SBB, SBJ) 09.20-					MPV (Mini MPV-M1 Segment)				
1.5 TSi EVO		Gasolina	FWD	1498	84	114	01.21-11.24	■	
1.6 SRE		Gasolina	FWD	1598	81	110	02.21-	■	
2.0 TDI		Diesel	FWD	1968	55	75	09.20-	■	
2.0 TDI		Diesel	FWD	1968	75	102	09.20-	■	
2.0 TDI		Diesel	FWD	1968	90	122	09.20-	■	
2.0 TDI 4motion		Diesel	4WD	1968	90	122	03.21-	■	
EOS (1F7, 1F8) 03.06-08.15					Convertible (Compact car-C Segment)				
1.4 TSI (CAXA)	PR 1KS	Gasolina	FWD	1390	90	122	11.07-08.15	■	
1.4 TSI (CAVD)	PR 1KS	Gasolina	FWD	1390	118	160	05.08-08.15	■	
1.4 TSI (CTHD)	PR 1KS	Gasolina	FWD	1390	118	160	05.08-08.15	■	
1.6 FSI (BLF)	PR 1KS	Gasolina	FWD	1598	85	115	06.06-05.08	■	
2.0 FSI (BVY)	PR 1KS	Gasolina	FWD	1984	110	150	03.06-05.08	■	
2.0 FSI (BVZ)	PR 1KS	Gasolina	FWD	1984	110	150	03.06-05.08	■	
2.0 TFSI (BPY)	PR 1KS	Gasolina	FWD	1984	147	200	03.06-08.15	■	
2.0 TFSI (BWA)	PR 1KS	Gasolina	FWD	1984	147	200	03.06-08.15	■	
2.0 TFSI (CAWB)	PR 1KS	Gasolina	FWD	1984	147	200	03.06-08.15	■	
2.0 TFSI (CBFA)	PR 1KS	Gasolina	FWD	1984	147	200	03.06-08.15	■	
2.0 TFSI (CCTA)	PR 1KS	Gasolina	FWD	1984	147	200	03.06-08.15	■	
2.0 TFSI (CCZA)	PR 1KS	Gasolina	FWD	1984	147	200	03.06-08.15	■	
2.0 TSI (CCZB)	PR 1KS	Gasolina	FWD	1984	155	210	11.09-08.15	■	
3.2 V6 (BUB)	PR 1KS	Gasolina	FWD	3189	184	250	06.06-05.09	■	
3.2 V6 (CBRA)	PR 1KS	Gasolina	FWD	3189	184	250	06.06-05.09	■	
3.6 V6 (CDVA)	PR 1KS	Gasolina	FWD	3597	191	260	05.09-11.10	■	
2.0 TDI (CFFA)	PR 1KS	Diesel	FWD	1968	100	136	11.10-08.15	■	
2.0 TDI (BMM)	PR 1KS	Diesel	FWD	1968	103	140	06.06-05.08	■	
2.0 TDI 16V (CBAB)	PR 1KS	Diesel	FWD	1968	103	140	05.08-08.15	■	
2.0 TDI 16V (CFFB)	PR 1KS	Diesel	FWD	1968	103	140	05.08-08.15	■	
GOLF V Variant / BORA V / JETTA V / VENTO V (1K5) 01.07-07.09					Estate (Compact car-C Segment)				
1.6 MultiFuel (CCSA)		Gasol./Etanol	FWD	1595	75	102	11.07-07.09	■	
GOLF VI / JETTA VI (517) 03.11-					Convertible (Compact car-C Segment)				
1.2 TSI (CBZB)	PR 1KS, PR 1KT	Gasolina	FWD	1197	77	105	03.11-05.16	■	
1.4 TSI (CAXA)	PR 1KS, PR 1KT	Gasolina	FWD	1390	90	122	11.11-05.16	■	
1.4 TSI (CAVD)	PR 1KS, PR 1KT	Gasolina	FWD	1390	118	160	03.11-05.16	■	
1.4 TSI (CNWA)	PR 1KS, PR 1KT	Gasolina	FWD	1390	118	160	03.11-05.16	■	
1.4 TSI (CTHD)	PR 1KS, PR 1KT	Gasolina	FWD	1390	118	160	03.11-05.16	■	
1.4 TSI (CTKA)	PR 1KS, PR 1KT	Gasolina	FWD	1390	118	160	03.11-05.16	■	
2.0 GTI (CCZB)	PR 1KS, PR 1KT	Gasolina	FWD	1984	155	211	05.12-05.16	■	
1.6 TDI (CAYC)	PR 1KS, PR 1KT	Diesel	FWD	1598	77	105	03.11-05.16	■	
2.0 TDI (CFHC)	PR 1KS, PR 1KT	Diesel	FWD	1968	103	140	11.11-05.16	■	
GOLF VI / JETTA VI (5K1) 10.08-11.12					Hatchback Van (Compact car-C Segment)				
1.2 TSI (CBZA)	PR 1KS, PR 1KT	Gasolina	FWD	1197	63	86	05.10-11.12	■	
1.2 TSI (CBZB)	PR 1KS, PR 1KT	Gasolina	FWD	1197	77	105	05.09-11.12	■	
1.2 TSI (CBZB)	PR 1KS, PR 1KT	Gasolina	FWD	1197	77	105	11.09-08.14	■	

LISTA DE APLICACIONES - BUYERS GUIDE

1.4 TSI (CAXA)	PR 1KS, PR 1KT	Gasolina	FWD	1390	90	122	01.09-08.14	■	
TSi (CAXA)	PR 1KS, PR 1KT	Gasolina	FWD	1390	90	122	10.08-11.12	■	
1.4 TSI (CAVD)	PR 1KS, PR 1KT	Gasolina	FWD	1390	118	160	10.08-11.12	■	
1.4 TSI (CAVD)	PR 1KS, PR 1KT	Gasolina	FWD	1390	118	160	01.09-09.12	■	
2.0 GTI (CCZB)	PR 1KS, PR 1KT	Gasolina	FWD	1984	155	211	02.09-11.12	■	
2.0 TSi R 4motion (CDLF)	PR 1KS, PR 1KT	Gasolina	4WD	1984	199	271	11.09-11.12	■	
1.6 TDI (CAYB)	PR 1KS, PR 1KT	Diesel	FWD	1598	66	90	02.09-11.12	■	
1.6 TDI (CAYB)	PR 1KS, PR 1KT	Diesel	FWD	1598	66	90	02.09-08.14	■	
1.6 TDI (CAYC)	PR 1KS, PR 1KT	Diesel	FWD	1598	77	105	05.09-11.12	■	
1.6 TDI (CAYC)	PR 1KS, PR 1KT	Diesel	FWD	1598	77	105	02.09-08.14	■	
2.0 TDI (CFFB)	PR 1KS, PR 1KT	Diesel	FWD	1968	103	140	09.09-11.12	■	
2.0 TDI (CJAA)	PR 1KS, PR 1KT	Diesel	FWD	1968	103	140	09.09-11.12	■	
2.0 TDI (CFHC)	PR 1KS, PR 1KT	Diesel	FWD	1968	103	140	11.09-08.14	■	
2.0 TDI (CFGB)		Diesel	FWD	1968	125	170	05.10-11.12	■	
GOLF VI / JETTA VI (5K1) 10.08-12.14							Hatchback (Compact car-C Segment)		
1.2 TSI (CBZA)	PR 1KS, PR 1KT	Gasolina	FWD	1197	63	86	05.10-11.12	■	
1.2 TSI (CBZB)	PR 1KS, PR 1KT	Gasolina	FWD	1197	77	105	11.08-11.12	■	
1.4 (CGGA)	PR 1KS, PR 1KT	Gasolina	FWD	1390	59	80	10.08-11.12	■	
1.4 TSI (CAXA)	PR 1KS, PR 1KT	Gasolina	FWD	1390	90	122	10.08-11.12	■	
1.4 TSI (CAVD)	PR 1KS, PR 1KT	Gasolina	FWD	1390	118	160	10.08-11.12	■	
1.4 TSI (CNWA)	PR 1KS, PR 1KT	Gasolina	FWD	1390	118	160	10.08-11.12	■	
1.4 TSI (CTHD)	PR 1KS, PR 1KT	Gasolina	FWD	1390	118	160	10.08-11.12	■	
1.6 (BSE)	PR 1KS, PR 1KT	Gasolina	FWD	1595	75	102	10.08-11.12	■	
1.6 (BSF)	PR 1KS, PR 1KT	Gasolina	FWD	1595	75	102	10.08-11.12	■	
1.6 (CCSA)	PR 1KS, PR 1KT	Gasolina	FWD	1595	75	102	10.08-11.12	■	
1.6 (CMXA)	PR 1KS, PR 1KT	Gasolina	FWD	1595	75	102	10.08-11.12	■	
1.8 TSI (CDAA)	PR 1KS	Gasolina	FWD	1798	118	160	06.09-01.11	■	
2.0 Flex	PR 1KS, PR 1KT	Gasolina	FWD	1984	88	120	10.08-	■	
2.0 GTI (CBFA)	PR 1KS, PR 1KT	Gasolina	FWD	1984	147	200	06.09-11.13	■	
2.0 GTI (CCTA)	PR 1KS, PR 1KT	Gasolina	FWD	1984	147	200	06.09-11.13	■	
2.0 GTI (CCZA)	PR 1KS, PR 1KT	Gasolina	FWD	1984	147	200	06.09-11.13	■	
2.0 GTI (CCZB)	PR 1KS, PR 1KT	Gasolina	FWD	1984	155	210	04.09-11.12	■	
2.0 GTI (CDLG)	PR 1KS, PR 1KT	Gasolina	FWD	1984	173	235	05.11-11.12	■	
2.0 R 4motion (CDLC)	PR 1KS, PR 1KT	Gasolina	4WD	1984	188	256	11.09-11.13	■	
2.0 R 4motion (CRZA)	PR 1KS, PR 1KT	Gasolina	4WD	1984	188	256	11.09-11.13	■	
2.0 TFSI 4motion (CRZA)		Gasolina	4WD	1984	191	260	09.11-11.13	■	
2.0 R 4motion (CDLA)	PR 1KS, PR 1KT	Gasolina	4WD	1984	195	265	11.09-05.11	■	
2.0 R 4motion (CDLF)	PR 1KS, PR 1KT	Gasolina	4WD	1984	199	270	11.09-11.12	■	
2.5 (CBTA)		Gasolina	FWD	2480	125	170	07.09-05.13	■	
2.5 (CBUA)		Gasolina	FWD	2480	125	170	07.09-05.13	■	
1.6 BiFuel (CHGA)	PR 1KS, PR 1KT	Gasol./Gas (LPG)	FWD	1595	75	102	03.09-11.12	■	
1.6 MultiFuel (CCSA)	PR 1KS, PR 1KT	Gasol./Etanol	FWD	1595	75	102	10.08-11.12	■	
1.6 MultiFuel (CMXA)	PR 1KS, PR 1KT	Gasol./Etanol	FWD	1595	75	102	10.08-11.12	■	
1.6 TDI (CAYB)	PR 1KS, PR 1KT	Diesel	FWD	1598	66	90	02.09-11.12	■	
1.6 TDI (CAYC)	PR 1KS, PR 1KT	Diesel	FWD	1598	77	105	02.09-11.12	■	
2.0 TDI (CBDC)	PR 1KS, PR 1KT	Diesel	FWD	1968	81	110	10.08-11.12	■	
2.0 TDI (CLCA)	PR 1KS, PR 1KT	Diesel	FWD	1968	81	110	10.08-11.12	■	
2.0 TDI (CBAA)	PR 1KS, PR 1KT	Diesel	FWD	1968	100	136	10.08-11.12	■	
2.0 TDI (CFFA)	PR 1KS, PR 1KT	Diesel	FWD	1968	100	136	10.08-11.12	■	

LISTA DE APLICACIONES - BUYERS GUIDE

2.0 TDI (CBAB)	PR 1KS, PR 1KT	Diesel	FWD	1968	103	140	10.08-05.13	■	
2.0 TDI (CFFB)	PR 1KS, PR 1KT	Diesel	FWD	1968	103	140	10.08-05.13	■	
2.0 TDI (CJAA)	PR 1KS, PR 1KT	Diesel	FWD	1968	103	140	10.08-05.13	■	
2.0 TDI 4motion (CBAB)	PR 1KS, PR 1KT	Diesel	4WD	1968	103	140	05.09-11.12	■	
2.0 TDI 4motion (CFFB)	PR 1KS, PR 1KT	Diesel	4WD	1968	103	140	05.09-11.12	■	
2.0 TDI (CBBB)	PR 1KS, PR 1KT	Diesel	FWD	1968	125	170	04.09-11.12	■	
2.0 TDI (CFGB)	PR 1KS, PR 1KT	Diesel	FWD	1968	125	170	04.09-11.12	■	
GOLF VI VAN Variant / JETTA VI (AJ5) 07.09-05.14							Estate Van (Compact car-C Segment)		
1.2 TSI (CBZB)	PR 1KS, PR 1KT	Gasolina	FWD	1197	77	105	09.09-05.14	■	
1.4 TSI (CAXA)	PR 1KS, PR 1KT	Gasolina	FWD	1390	90	122	07.09-05.14	■	
1.4 TSI (CAVD)	PR 1KS, PR 1KT	Gasolina	FWD	1390	118	160	07.09-10.12	■	
1.6 TDI (CAYB)	PR 1KS	Diesel	FWD	1598	66	90	12.09-10.12	■	
1.6 TDI (CAYC)	PR 1KS, PR 1KT	Diesel	FWD	1598	77	105	07.09-05.14	■	
2.0 TDI (CBDB)	PR 1KS, PR 1KT	Diesel	FWD	1968	103	140	07.09-05.14	■	
2.0 TDI (CFHC)	PR 1KS, PR 1KT	Diesel	FWD	1968	103	140	07.09-05.14	■	
GOLF VI Variant / JETTA VI (AJ5) 07.09-07.14							Estate (Compact car-C Segment)		
1.2 TSI (CBZA)	PR 1KS	Gasolina	FWD	1197	63	86	07.10-07.13	■	
1.2 TSI (CBZB)	PR 1KS	Gasolina	FWD	1197	77	105	07.09-07.13	■	
1.4 (BUD)	PR 1KS	Gasolina	FWD	1390	59	80	07.09-07.13	■	
1.4 (CGGA)	PR 1KS	Gasolina	FWD	1390	59	80	07.09-07.13	■	
1.4 TSI (CAXA)	PR 1KS	Gasolina	FWD	1390	90	122	07.09-07.13	■	
1.4 TSI (CAVD)	PR 1KS	Gasolina	FWD	1390	118	160	07.09-07.13	■	
1.4 TSI (CNWA)	PR 1KS	Gasolina	FWD	1390	118	160	07.09-07.13	■	
1.4 TSI (CTHD)	PR 1KS	Gasolina	FWD	1390	118	160	07.09-07.13	■	
1.4 TSI (CTKA)	PR 1KS	Gasolina	FWD	1390	118	160	07.09-07.13	■	
1.6 (BSE)	PR 1KS	Gasolina	FWD	1595	75	102	07.09-07.13	■	
1.6 (BSF)	PR 1KS	Gasolina	FWD	1595	75	102	07.09-07.13	■	
1.6 (CCSA)	PR 1KS	Gasolina	FWD	1595	75	102	07.09-07.13	■	
2.0 TFSI (CCZA)		Gasolina	FWD	1984	147	200	07.09-07.13	■	
1.6 BiFuel (BSF)	PR 1KS, PR 1KT	Gasol./Gas (LPG)	FWD	1595	75	102	07.09-12.10	■	
1.6 MultiFuel (CMXA)		Gasol./Etanol	FWD	1595	75	102	07.10-07.13	■	
1.6 TDI (CAYB)	PR 1KS	Diesel	FWD	1598	66	90	12.09-07.13	■	
1.6 TDI (CAYC)	PR 1KS	Diesel	FWD	1598	77	105	07.09-07.13	■	
1.6 TDI 4motion (CAYC)		Diesel	4WD	1598	77	105	07.09-07.13	■	
2.0 TDI (CLCA)		Diesel	FWD	1968	81	110	01.10-07.13	■	
2.0 TDI (CBDA)	PR 1KS	Diesel	FWD	1968	100	136	07.09-07.13	■	
2.0 TDI (CFHB)	PR 1KS	Diesel	FWD	1968	100	136	07.09-07.13	■	
2.0 TDI (CBDB)	PR 1KS	Diesel	FWD	1968	103	140	07.09-07.13	■	
2.0 TDI (CFHC)	PR 1KS	Diesel	FWD	1968	103	140	07.09-07.13	■	
2.0 TDI (CJAA)	PR 1KS	Diesel	FWD	1968	103	140	07.09-07.13	■	
2.0 TDI	PR 1KS	Diesel	RWD	1968	103	140	07.09-07.13	■	
GOLF VII / JETTA VII (5G1, BQ1) 08.12-							Hatchback Van (Compact car-C Segment)		
1.2 TSI (CJZB)	PR 1KE, elec.brake detention	Gasolina	FWD	1197	63	86	08.12-03.17	■	
1.4 TSI (CHPA)	PR 1KE, elec.brake detention	Gasolina	FWD	1395	103	140	08.12-03.17	■	
2.0 TDI	PR 1KE, elec.brake detention	Diesel	FWD	1968	110	150	05.13-05.14	■	
2.0 TDI 4motion (CRBC)	PR 1KE, elec.brake detention	Diesel	4WD	1968	110	150	05.13-05.14	■	
GOLF VII / JETTA VII (5G1, BQ1, BE1, BE2) 08.12-							Hatchback (Compact car-C Segment)		
1.0 TSI (CHZK)		Gasolina	FWD	999	63	86	01.17-07.19	■	

LISTA DE APLICACIONES - BUYERS GUIDE

1.0 TSI (DKLB)		Gasolina	FWD	999	63	86	01.17-07.19	■
1.0 TSI (CHZC)		Gasolina	FWD	999	81	110	11.16-08.20	■
1.2 TSI (CJZB)	PR 1KE, elec.brake detention	Gasolina	FWD	1197	63	86	08.12-03.17	■
1.2 TSI (CYVA)	PR 1KE, elec.brake detention	Gasolina	FWD	1197	63	86	08.12-03.17	■
1.4 TSI (CHPA)	PR 1KE, elec.brake detention	Gasolina	FWD	1395	103	140	08.12-08.20	■
1.4 TSI (CPTA)	PR 1KE, elec.brake detention	Gasolina	FWD	1395	103	140	08.12-08.20	■
1.5 TSI (DACA)		Gasolina	FWD	1495	96	130	05.17-08.20	■
1.5 TSI (DADA)		Gasolina	FWD	1498	110	150	04.17-08.20	■
1.5 TSI (DPCA)		Gasolina	FWD	1498	110	150	04.17-08.20	■
1.8 TSI		Gasolina	FWD	1798	125	170	07.13-07.17	■
2.0 GTI (DKTB)		Gasolina	FWD	1984	180	245	03.17-08.20	■
2.0 GTI (DLBA)		Gasolina	FWD	1984	180	245	03.17-08.20	■
1.5 TGI (DHFA)		Gasol./Gas (CNG)	FWD	1498	96	130	11.18-08.20	■
e-Golf (EAZA)		Eléctrico	FWD		100	136	12.16-01.21	■
e-Golf (EBSA)		Eléctrico	FWD		100	136	12.16-01.21	■
1.6 TDI (CLHA)	PR 1KE, elec.brake detention	Diesel	FWD	1598	77	105	08.12-03.17	■
1.6 TDI (DDYA)		Diesel	FWD	1598	85	115	11.16-08.20	■
1.6 TDI (DGTE)		Diesel	FWD	1598	85	115	11.16-08.20	■
2.0 TDI (CRBC)	PR 1KE, elec.brake detention	Diesel	FWD	1968	110	150	08.12-08.20	■
2.0 TDI (CRLB)	PR 1KE, elec.brake detention	Diesel	FWD	1968	110	150	08.12-08.20	■
2.0 TDI (CRMB)	PR 1KE, elec.brake detention	Diesel	FWD	1968	110	150	08.12-08.20	■
2.0 TDI (CRUA)	PR 1KE, elec.brake detention	Diesel	FWD	1968	110	150	08.12-08.20	■
2.0 TDI (DCYA)	PR 1KE, elec.brake detention	Diesel	FWD	1968	110	150	08.12-08.20	■
2.0 TDI (DEJA)	PR 1KE, elec.brake detention	Diesel	FWD	1968	110	150	08.12-08.20	■
2.0 TDI (DFGA)	PR 1KE, elec.brake detention	Diesel	FWD	1968	110	150	08.12-08.20	■
GOLF VII SPORTSVAN (AM1, AN1) 02.14-							Hatchback (Compact car-C Segment)	
1.0 TSI (CHZK)		Gasolina	FWD	999	63	86	05.17-07.19	■
1.0 TSI (DKLB)		Gasolina	FWD	999	63	86	05.17-07.19	■
1.0 TSI (CHZC)		Gasolina	FWD	999	81	110	05.17-07.18	■
1.0 TSI (CHZD)		Gasolina	FWD	999	85	115	05.15-08.20	■
1.0 TSI (DKRF)		Gasolina	FWD	999	85	115	05.15-08.20	■
1.5 TSI (DACA)		Gasolina	FWD	1495	96	130	05.17-08.20	■
1.5 TSI (DADA)		Gasolina	FWD	1498	110	150	05.17-08.20	■
1.5 TSI (DPCA)		Gasolina	FWD	1498	110	150	05.17-08.20	■
1.6 TDI (DDYA)		Diesel	FWD	1598	85	115	11.16-08.20	■
1.6 TDI (DGTE)		Diesel	FWD	1598	85	115	11.16-08.20	■
GOLF VII VAN Variant / JETTA VII (BA5) 04.13-03.17							Estate Van (Compact car-C Segment)	
1.2 TSI (CJZB)	PR 1KE, elec.brake detention	Gasolina	FWD	1197	63	86	05.13-03.17	■
1.2 TSI (CYVA)	PR 1KE, elec.brake detention	Gasolina	FWD	1197	63	86	05.13-03.17	■
1.4 TSI (CHPA)	PR 1KE, elec.brake detention	Gasolina	FWD	1395	103	140	05.13-03.17	■
2.0 TDI (CRBC)	PR 1KE, elec.brake detention	Diesel	FWD	1968	110	150	04.13-03.17	■
2.0 TDI (CRLB)	PR 1KE, elec.brake detention	Diesel	FWD	1968	110	150	04.13-03.17	■
2.0 TDI 4motion (CRBC)	PR 1KE, elec.brake detention	Diesel	4WD	1968	110	150	04.13-03.17	■
2.0 TDI 4motion (CRLB)	PR 1KE, elec.brake detention	Diesel	4WD	1968	110	150	04.13-03.17	■
GOLF VII Variant / JETTA VII (BA5, BV5) 04.13-							Estate (Compact car-C Segment)	
1.0 TSI (CHZK)		Gasolina	FWD	999	63	86	01.17-07.19	■
1.0 TSI (DKLB)		Gasolina	FWD	999	63	86	01.17-07.19	■
1.0 TSI (CHZC)		Gasolina	FWD	999	81	110	11.16-08.20	■
1.5 TSI (DACA)		Gasolina	FWD	1495	96	130	07.17-08.20	■

LISTA DE APLICACIONES - BUYERS GUIDE

1.5 TSI (DPBA)		Gasolina	FWD	1495	96	130	07.17-08.20	■	
1.5 TSI (DADA)		Gasolina	FWD	1498	110	150	04.17-08.20	■	
1.5 TSI (DPCA)		Gasolina	FWD	1498	110	150	04.17-08.20	■	
1.8 TSI 4motion (CJSB)		Gasolina	4WD	1798	132	179	11.16-08.20	■	
1.5 TGI (DHFA)		Gasol./Gas (CNG)	FWD	1498	96	131	12.18-08.20	■	
1.6 TDI (DDYA)		Diesel	FWD	1598	85	115	11.16-08.20	■	
1.6 TDI (DGTE)		Diesel	FWD	1598	85	115	11.16-08.20	■	
GOLF VIII ALLTRACK (CG5) 11.20-						Estate (Compact car-C Segment)			
2.0 TSI 4motion		Gasolina	4WD	1984	140	190	03.21-11.24	■	
GOLF VIII (CD1, DA1) 07.19-						Hatchback (Compact car-C Segment)			
1.0 TSI (DLAB)		Gasolina	FWD	999	66	90	02.20-	■	
1.0 TSI (DLAA)		Gasolina	FWD	999	81	110	02.20-	■	
1.4 TSI (DJKA)		Gasolina	FWD	1395	110	150	01.21-	■	
1.5 TSI (DPBA)		Gasolina	FWD	1495	96	131	07.19-	■	
1.5 TSI (DPCA)		Gasolina	FWD	1498	110	150	07.19-	■	
2.0 TSI		Gasolina	FWD	1984	140	190	06.21-11.24	■	
2.0 TSI 4motion		Gasolina	4WD	1984	140	190	06.21-11.24	■	
1.5 TGI		Gasol./Gas (CNG)	FWD	1498	96	131	09.20-	■	
1.0 eTSI		Gasol./el éc.	FWD	999	81	110	06.20-	■	
1.4 TSI eHybrid		Gasol./el éc.	FWD	1395	150	204	07.20-	■	
1.4 GTE Plug-in Hybrid		Gasol./el éc.	FWD	1395	180	245	07.20-	■	
1.5 eTSI		Gasol./el éc.	FWD	1495	96	131	11.20-	■	
1.5 eTSI		Gasol./el éc.	FWD	1498	96	131	04.23-	■	
1.5 eTSI (DFYA)		Gasol./el éc.	FWD	1498	110	150	12.19-	■	
2.0 TDI (DSUD)		Diesel	FWD	1968	85	116	08.19-	■	
2.0 TDI (DSRB)		Diesel	FWD	1968	110	150	08.19-	■	
2.0 TDI 4motion		Diesel	4WD	1968	110	150	06.21-	■	
2.0 TDI GTD		Diesel	FWD	1968	147	200	09.20-	■	
GOLF VIII Variant (CG5, DB5) 08.20-						Estate (Compact car-C Segment)			
1.0 TSI (DLAB)		Gasolina	FWD	999	66	90	08.20-	■	
1.0 TSI (DLAA)		Gasolina	FWD	999	81	110	08.20-	■	
1.4 TSI (DJKA)		Gasolina	FWD	1395	110	150	01.21-	■	
1.5 TSI (DPBA)		Gasolina	FWD	1495	96	131	08.20-	■	
1.5 TSI (DPCA)		Gasolina	FWD	1498	110	150	08.20-	■	
2.0 TSI		Gasolina	FWD	1984	140	190	06.21-11.24	■	
2.0 TSI 4motion		Gasolina	4WD	1984	140	190	06.21-11.24	■	
1.5 TGI		Gasol./Gas (CNG)	FWD	1498	96	131	09.20-	■	
1.0 eTSI		Gasol./el éc.	FWD	999	81	110	09.20-	■	
1.5 eTSI		Gasol./el éc.	FWD	1495	96	131	12.20-	■	
1.5 eTSI		Gasol./el éc.	FWD	1498	110	150	12.20-	■	
2.0 TDI		Diesel	FWD	1968	85	116	08.20-	■	
2.0 TDI (DTSB)		Diesel	FWD	1968	110	150	08.20-	■	
2.0 TDI 4motion		Diesel	4WD	1968	110	150	06.21-	■	

LISTA DE APLICACIONES - BUYERS GUIDE

JETTA V / BORA / VENTO (1K2) 09.04-12.13					Saloon (Compact car-C Segment)			
2.8 VR6		Gasolina	FWD	2792	128	174	10.09-10.10	■
1.6 TDI (CAYC)		Diesel	FWD	1598	77	105	06.09-10.10	■
JETTA VI / VENTO (162, 163, AV3, AV2) 01.08-					Saloon (Compact car-C Segment)			
1.2 TSI (CBZB)	PR 1KS, PR 1KT	Gasolina	FWD	1197	77	105	10.10-12.17	■
1.2 TSI 16V (CYVD)		Gasolina	FWD	1197	77	105	08.14-12.17	■
1.4 TSI (CAXA)	PR 1KS, PR 1KT	Gasolina	FWD	1390	90	122	05.11-12.17	■
1.4 TSI (CMSB)	PR 1KS, PR 1KT	Gasolina	FWD	1390	90	122	05.11-12.17	■
1.4 TSI (CAVA)	PR 1KS, PR 1KT	Gasolina	FWD	1390	110	150	04.11-12.17	■
1.4 TSI (CTHA)	PR 1KS, PR 1KT	Gasolina	FWD	1390	110	150	04.11-12.17	■
1.4 TSI (CAVD)	PR 1KS, PR 1KT	Gasolina	FWD	1390	118	160	04.11-12.17	■
1.4 TSI (CTHD)	PR 1KS, PR 1KT	Gasolina	FWD	1390	118	160	04.11-12.17	■
1.6 MPi (CWVB)		Gasolina	FWD	1598	66	90	09.15-04.18	■
1.6 (CWVA)		Gasolina	FWD	1598	81	110	09.15-04.18	■
2.0 TFSI (CBFA)	PR 1KS, PR 1KT	Gasolina	FWD	1984	147	200	12.10-07.14	■
2.0 TFSI (CCTA)	PR 1KS, PR 1KT	Gasolina	FWD	1984	147	200	12.10-07.14	■
2.0 TFSI (CCZA)	PR 1KS, PR 1KT	Gasolina	FWD	1984	147	200	12.10-07.14	■
2.5 (CBTA)		Gasolina	FWD	2480	125	170	04.10-12.17	■
2.5 (CBUA)		Gasolina	FWD	2480	125	170	04.10-12.17	■
2.5 (CCCA)		Gasolina	FWD	2480	125	170	04.10-12.17	■
2.0 Flex		Gasol./Etanol	FWD	1984	88	120	10.10-12.16	■
1.4 TSI Hybrid (CNLA)	PR 1KS, PR 1KT	Gasol./eléc.	FWD	1395	125	170	04.11-12.17	■
1.4 TSI Hybrid (CRJA)	PR 1KS, PR 1KT	Gasol./eléc.	FWD	1395	125	170	04.11-12.17	■
1.6 TDI (CAYC)	PR 1KS, PR 1KT	Diesel	FWD	1598	77	105	04.10-07.15	■
2.0 TDI (CFFB)	PR 1KS, PR 1KT	Diesel	FWD	1968	103	140	07.10-12.17	■
2.0 TDI (CFHC)	PR 1KS, PR 1KT	Diesel	FWD	1968	103	140	07.10-12.17	■
2.0 TDI (CJAA)	PR 1KS, PR 1KT	Diesel	FWD	1968	103	140	07.10-12.17	■
2.0 TDI (CLCB)	PR 1KS, PR 1KT	Diesel	FWD	1968	103	140	07.10-12.17	■
PASSAT B7 (A32, A33) 01.11-12.20					Saloon (Large family car-D Segment)			
2.0 TSI		Gasolina	FWD	1984	130	177	07.17-07.20	■
2.0 TDI (CFFB)		Diesel	FWD	1968	103	140	04.11-06.15	■
2.0 TDI (CKRA)		Diesel	FWD	1968	103	140	04.11-06.15	■
2.0 TDI (CVCA,DEKA)		Diesel	FWD	1968	110	150	06.14-12.15	■
SCIROCCO III (137, 138) 05.08-					Coupe (Sport compact car-C Segment)			
1.4 TSI (CAXA)	PR 1KS	Gasolina	FWD	1390	90	122	08.08-11.17	■
1.4 TSI (CMSB)	PR 1KS	Gasolina	FWD	1390	90	122	08.08-11.17	■
1.4 TSI (CAVD)	PR 1KS	Gasolina	FWD	1390	118	160	05.08-11.17	■
1.4 TSI (CNWA)	PR 1KS	Gasolina	FWD	1390	118	160	05.08-11.17	■
1.4 TSI (CTHD)	PR 1KS	Gasolina	FWD	1390	118	160	05.08-11.17	■
1.4 TSI (CTKA)	PR 1KS	Gasolina	FWD	1390	118	160	05.08-11.17	■
2.0 TFSI (CAWB)	PR 1KS	Gasolina	FWD	1984	147	200	05.08-11.09	■
2.0 TSI (CCZB)	PR 1KS	Gasolina	FWD	1984	155	210	11.09-11.17	■
2.0 R (CDLC)	PR 1KS	Gasolina	FWD	1984	188	256	11.09-11.17	■
2.0 R (CDLA)	PR 1KS	Gasolina	FWD	1984	195	265	11.09-11.17	■
2.0 TDI (CFHB)	PR 1KS	Diesel	FWD	1968	100	136	11.10-11.17	■
2.0 TDI (CBDB)	PR 1KS	Diesel	FWD	1968	103	140	08.08-11.17	■
2.0 TDI (CFHC)	PR 1KS	Diesel	FWD	1968	103	140	08.08-11.17	■
2.0 TDI (CBBB)	PR 1KS	Diesel	FWD	1968	125	170	05.09-11.17	■

LISTA DE APLICACIONES - BUYERS GUIDE

2.0 TDI (CFGB)	PR 1KS	Diesel	FWD	1968	125	170	05.09-11.17	■
SCIROCCO III (137) 06.08-05.14					Hatchback Van (Sport compact car-C Segment)			
1.4 TSI (CAXA)	PR 1KS	Gasolina	FWD	1390	90	122	08.08-05.14	■
1.4 TSI (CAVD)	PR 1KS	Gasolina	FWD	1390	118	160	06.08-05.14	■
2.0 TFSI (CCZB)	PR 1KS	Gasolina	FWD	1984	155	211	11.09-05.14	■
2.0 TDI (CBDB)	PR 1KS	Diesel	FWD	1968	103	140	08.08-05.14	■
2.0 TDI (CFHC)	PR 1KS	Diesel	FWD	1968	103	140	08.08-05.14	■
2.0 TDI (CBBB)	PR 1KS	Diesel	FWD	1968	125	170	05.09-05.14	■
2.0 TDI (CFGB)	PR 1KS	Diesel	FWD	1968	125	170	05.09-05.14	■
TAOS (CL1, CP1, CQ1) 07.20-					SUV (Compact Crossover CUV-C Segment)			
1.4 TSI (DSJA)		Gasolina	FWD	1395	110	150	10.20-	■
1.4 TSI 4motion		Gasolina	4WD	1395	110	150	05.21-	■
1.6 MPI		Gasolina	FWD	1598	81	110	07.21-	■
TOURAN (1T1, 1T2) 02.03-01.11					MPV (Compact MPV-M1 Segment)			
1.4 TSI (BMY)	09/06-, PR 1KS	Gasolina	FWD	1390	103	140	02.06-05.10	■
1.4 TSI (CAVC)	09/06-, PR 1KS	Gasolina	FWD	1390	103	140	02.06-05.10	■
1.4 TSI (BLG)	PR 1KS	Gasolina	FWD	1390	125	170	11.06-05.10	■
1.4 TSI (CAVB)	PR 1KS	Gasolina	FWD	1390	125	170	11.06-05.10	■
1.6 (BGU)	PR 1KS	Gasolina	FWD	1595	75	102	07.03-05.10	■
1.6 (BSE)	PR 1KS	Gasolina	FWD	1595	75	102	07.03-05.10	■
1.6 (BSF)	PR 1KS	Gasolina	FWD	1595	75	102	07.03-05.10	■
1.6 FSI (BAG)	PR 1KS	Gasolina	FWD	1598	85	115	02.03-01.07	■
1.6 FSI (BLF)	PR 1KS	Gasolina	FWD	1598	85	115	02.03-01.07	■
1.6 FSI (BLP)	PR 1KS	Gasolina	FWD	1598	85	115	02.03-01.07	■
2.0 FSI	PR 1KS	Gasolina	FWD	1984	85	115	10.04-05.10	■
2.0 FSI (AXW)	PR 1KS	Gasolina	FWD	1984	110	150	10.03-01.07	■
2.0 FSI (BLR)	PR 1KS	Gasolina	FWD	1984	110	150	10.03-01.07	■
2.0 FSI (BLX)	PR 1KS	Gasolina	FWD	1984	110	150	10.03-01.07	■
2.0 FSI (BLY)	PR 1KS	Gasolina	FWD	1984	110	150	10.03-01.07	■
2.0 FSI (BVY)	PR 1KS	Gasolina	FWD	1984	110	150	10.03-01.07	■
2.0 FSI (BVZ)	PR 1KS	Gasolina	FWD	1984	110	150	10.03-01.07	■
1.6 BiFuel (BSF)		Gasol./Gas (LPG)	FWD	1595	75	102	11.06-05.10	■
1.9 TDI (BRU)	PR 1KS	Diesel	FWD	1896	66	90	11.04-05.10	■
1.9 TDI (BXF)	PR 1KS	Diesel	FWD	1896	66	90	11.04-05.10	■
1.9 TDI (BXJ)	PR 1KS	Diesel	FWD	1896	66	90	11.04-05.10	■
1.9 TDI (AVQ)	PR 1KS	Diesel	FWD	1896	74	100	02.03-05.04	■
1.9 TDI (BKC)	PR 1KS	Diesel	FWD	1896	77	105	08.03-05.10	■
1.9 TDI (BLS)	PR 1KS	Diesel	FWD	1896	77	105	08.03-05.10	■
1.9 TDI (BXE)	PR 1KS	Diesel	FWD	1896	77	105	08.03-05.10	■
2.0 TDI (AZV)	PR 1KS	Diesel	FWD	1968	100	136	02.03-05.10	■
2.0 TDI (BMM)	PR 1KS	Diesel	FWD	1968	103	140	12.05-05.10	■
2.0 TDI 16V (BKD)	PR 1KS	Diesel	FWD	1968	103	140	08.03-05.10	■
2.0 TDI (BMN)	02/06-, PR 1KS	Diesel	FWD	1968	125	170	12.05-05.10	■
2.0 TDI (CFJA)	02/06-, PR 1KS	Diesel	FWD	1968	125	170	12.05-05.10	■
1.4 TSI EcoFuel (CDGA)	PR 1KS	CNG	FWD	1390	110	150	05.09-05.10	■
2.0 EcoFuel (BSX)	PR 1KS	CNG	FWD	1984	80	109	02.06-05.09	■
TOURAN II / GOLF TOURAN (1T3) 05.10-05.15					Box Body/MPV (Compact MPV-M1 Segment)			
1.2 TSI	PR 1KS	Gasolina	FWD	1197	77	105	05.10-05.15	■
1.4 TSI	PR 1KS	Gasolina	FWD	1390	103	140	05.10-05.15	■

LISTA DE APLICACIONES - BUYERS GUIDE

1.4 TSI	PR 1KS	Gasolina	FWD	1390	125	170	05.10-05.15	■	
1.4 TSI EcoFuel	PR 1KS	Gasol./Gas (CNG)	FWD	1390	110	150	05.10-05.15	■	
1.6 TDI	PR 1KS	Diesel	FWD	1598	66	90	05.10-05.15	■	
1.6 TDI	PR 1KS	Diesel	FWD	1598	77	105	05.10-05.15	■	
2.0 TDI	PR 1KS	Diesel	FWD	1968	103	140	05.10-05.15	■	
2.0 TDI	PR 1KS	Diesel	FWD	1968	125	170	05.10-01.13	■	
TOURAN II / GOLF TOURAN (1T3) 05.10-09.16							MPV (Compact MPV-M1 Segment)		
1.2 TSI (CBZB)	PR 1KS	Gasolina	FWD	1197	77	105	05.10-05.15	■	
1.4 TSI (CAVC)	PR 1KS	Gasolina	FWD	1390	103	140	05.10-05.15	■	
1.4 TSI (CTHC)	PR 1KS	Gasolina	FWD	1390	103	140	05.10-05.15	■	
1.4 TSI (CAVB)	PR 1KS	Gasolina	FWD	1390	125	170	05.10-05.15	■	
1.4 TSI (CTHB)	PR 1KS	Gasolina	FWD	1390	125	170	05.10-05.15	■	
1.4 TSI EcoFuel (CDGA)	PR 1KS	Gasol./Gas (CNG)	FWD	1390	110	150	05.10-05.15	■	
1.6 TDI (CAYB)	PR 1KS	Diesel	FWD	1598	66	90	05.10-05.15	■	
1.6 TDI (CAYC)	PR 1KS	Diesel	FWD	1598	77	105	05.10-05.15	■	
2.0 TDI (CFHF)	PR 1KS	Diesel	FWD	1968	81	110	11.10-05.15	■	
2.0 TDI (CLCA)	PR 1KS	Diesel	FWD	1968	81	110	11.10-05.15	■	
2.0 TDI (CFHC)	PR 1KS	Diesel	FWD	1968	103	140	05.10-05.15	■	
2.0 TDI (CFJA)	PR 1KS	Diesel	FWD	1968	125	170	05.10-01.13	■	
2.0 TDI (CFJB)		Diesel	FWD	1968	130	177	01.13-05.15	■	
TOURAN III (5T1) 05.15-							Box Body/MPV (LCVs-N1 Segment)		
2.0 TDI		Diesel	FWD	1968	90	122	11.20-	■	
TOURAN III (5T1) 05.15-							MPV (Compact MPV-M1 Segment)		
1.0 TSI (DKRB)		Gasolina	FWD	999	85	116	12.18-07.19	■	
1.5 TSI (DADA)		Gasolina	FWD	1498	110	150	11.18-	■	
1.5 TSI (DPCA)		Gasolina	FWD	1498	110	150	11.18-	■	
2.0 TDI (DFGC)		Diesel	FWD	1968	85	116	02.19-11.20	■	
2.0 TDI		Diesel	FWD	1968	90	122	11.20-	■	
TOURAN VAN (1T1, 1T2) 02.03-05.10							Box Body/MPV (Compact MPV-M1 Segment)		
FSI	PR 1KS	Gasolina	FWD	1598	85	116	02.03-11.06	■	
2.0 FSI	PR 1KS	Gasolina	FWD	1984	110	150	05.04-01.07	■	
2.0 EcoFuel	PR 1KS	Gasol./Gas (CNG)	FWD	1984	80	109	02.06-11.06	■	
1.9 TDI		Diesel	FWD	1896	66	90	11.04-05.10	■	
1.9 TDI	PR 1KS	Diesel	FWD	1896	74	101	10.03-05.05	■	
1.9 TDI	PR 1KS	Diesel	FWD	1896	77	105	08.03-11.06	■	
2.0 TDI	PR 1KS	Diesel	FWD	1968	100	136	02.03-05.10	■	
2.0 TDI		Diesel	FWD	1968	103	140	12.05-05.10	■	
2.0 TDI		Diesel	FWD	1968	103	140	08.03-05.10	■	
T-ROC (AC7, AC8) 12.19-							Convertible (Mini SUV-J Segment)		
1.0 TSI		Gasolina	FWD	999	81	110	09.20-	■	
1.0 TSI (DKRF)		Gasolina	FWD	999	85	116	12.19-	■	
1.5 TSI (DPCA)		Gasolina	FWD	1498	110	150	12.19-	■	
T-ROC (A11, D11) 07.17-							SUV (Mini SUV-J Segment)		
1.0 TSI		Gasolina	FWD	999	81	110	09.20-	■	
1.0 TSI (CHZJ)		Gasolina	FWD	999	85	116	07.17-	■	
1.0 TSI (DKRF)		Gasolina	FWD	999	85	116	07.17-	■	

LISTA DE APLICACIONES - BUYERS GUIDE

1.5 TSI (DADA)		Gasolina	FWD	1498	110	150	11.17-	■	
1.5 TSI (DPCA)		Gasolina	FWD	1498	110	150	11.17-	■	
1.5 TSI 4motion (DADA)		Gasolina	4WD	1498	110	150	05.18-11.19	■	
1.5 TSI 4motion (DPCA)		Gasolina	4WD	1498	110	150	05.18-11.19	■	
2.0 TSI 4motion (CZPB)		Gasolina	4WD	1984	140	190	07.17-	■	
2.0 TSI 4motion (DKZA)		Gasolina	4WD	1984	140	190	07.17-	■	
1.6 TDI (DGTE)		Diesel	FWD	1598	85	115	03.18-06.21	■	
2.0 TDI SCR		Diesel	FWD	1968	85	116	11.20-	■	
2.0 TDI (DFFA)		Diesel	FWD	1968	110	150	03.18-	■	
2.0 TDI 4motion (DFFA)		Diesel	4WD	1968	110	150	09.17-	■	
2.0 TDI 4motion (DFHA)		Diesel	4WD	1968	140	190	07.19-06.21	■	
VW (SVW)									
LAVIDA III (0C1, 0E1, 0C2) 05.18-						Saloon (Compact car-C Segment)			
200TSi		Gasolina	FWD	1197	85	116	06.22-	■	
280TSi		Gasolina	FWD	1395	110	150	05.18-	■	
1.5		Gasolina	FWD	1498	81	110	04.23-	■	
1.5 (DMBA)		Gasolina	FWD	1498	83	113	07.19-	■	
1.5 (DLWA)		Gasolina	FWD	1498	85	116	05.18-	■	
EV		Eléctrico	FWD		100	136	08.19-	■	
THARU (B21, B31) 10.18-						SUV (Compact SUV-J Segment)			
EV		Eléctrico	FWD		100	136	10.20-	■	
TOURAN II (9R1, 9R3) 11.04-						MPV (Compact MPV-M1 Segment)			
1.4 T	PR 1KS	Gasolina	FWD	1390	96	131	12.10-	■	
1.8 Turbo	PR 1KS	Gasolina	FWD	1781	110	148	11.04-01.08	■	
2.0	PR 1KS	Gasolina	FWD	1984	85	114	11.04-	■	
2.0	PR 1KS	Gasolina	FWD	1984	88	120	04.09-	■	