

LISTA DE APLICACIONES - BUYERS GUIDE

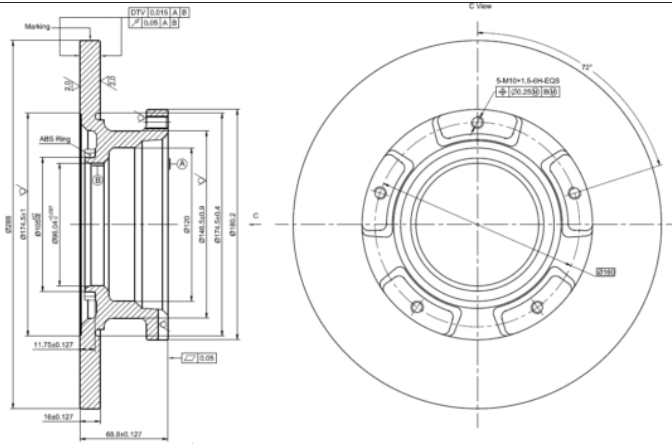
78BD5644-1



8 424073 288806

Weight: 8.520

O.E.M.	MAKE
1 764 283	FORD
1 867 715	FORD
2 013 002	FORD
2021562	FORD
BK21-2A097-BA	FORD
BK212A097CA	FORD
BK21-2A097-FA	FORD



78BD5644-1

E1 90R-02C0415/0092



Ø288x16x68.8

MAKE
FORD
FORD AUSTRALIA



Trac.	CC	Kw	CV
-------	----	----	----



Front / Rear

FORD

TOURNEO CUSTOM V362 (F3) 09.12-

Bus (Minibus-M2-Segment)

Model	Notes	Fuel	Trac.	CC	Kw	CV	Period	Availability
1.0 EcoBoost PHEV (M1FA)		Gasol./el éc.	FWD	996	92	125	04.20-12.23	■
2.0 EcoBlue mHEV (BKFC)	for steel rims	Diesel/el éc.	FWD	1995	96	130	05.19-12.23	■
2.0 EcoBlue mHEV (BKFD)	for steel rims	Diesel/el éc.	FWD	1995	96	130	05.19-12.23	■
2.0 EcoBlue mHEV	for steel rims	Diesel/el éc.	FWD	1995	110	150	01.22-12.23	■
2.0 EcoBlue mHEV (BCFC)	for steel rims	Diesel/el éc.	FWD	1995	136	185	05.19-12.23	■
2.0 EcoBlue mHEV (BCFD)	for steel rims	Diesel/el éc.	FWD	1995	136	185	05.19-12.23	■
2.0 EcoBlue (BJFA)	for steel rims	Diesel	FWD	1995	77	105	12.15-12.23	■
2.0 EcoBlue (BJFB)	for steel rims	Diesel	FWD	1995	77	105	12.15-12.23	■
2.0 EcoBlue (YLF6)	for steel rims	Diesel	FWD	1995	77	105	12.15-12.23	■
2.0 EcoBlue (YLFA)	for steel rims	Diesel	FWD	1995	77	105	12.15-12.23	■
2.0 EcoBlue (YLF6)	for steel rims	Diesel	FWD	1995	77	105	12.15-12.23	■
2.0 EcoBlue (YLFS)	for steel rims	Diesel	FWD	1995	77	105	12.15-12.23	■
2.0 EcoBlue (BKFA)	for steel rims	Diesel	FWD	1995	96	130	12.15-12.23	■
2.0 EcoBlue (BKFB)	for steel rims	Diesel	FWD	1995	96	130	12.15-12.23	■
2.0 EcoBlue (YMF6)	for steel rims	Diesel	FWD	1995	96	130	12.15-12.23	■
2.0 EcoBlue (YMFA)	for steel rims	Diesel	FWD	1995	96	130	12.15-12.23	■
2.0 EcoBlue (YMFB)	for steel rims	Diesel	FWD	1995	96	130	12.15-12.23	■
2.0 EcoBlue (YMFS)	for steel rims	Diesel	FWD	1995	96	130	12.15-12.23	■
2.0 EcoBlue	for steel rims	Diesel	FWD	1995	110	150	01.22-12.23	■
2.0 EcoBlue (BLFA)	for steel rims	Diesel	FWD	1995	125	170	12.15-12.23	■

LISTA DE APLICACIONES - BUYERS GUIDE

2.0 EcoBlue (BLFB)	for steel rims	Diesel	FWD	1995	125	170	12.15-12.23	■
2.0 EcoBlue (YNF6)	for steel rims	Diesel	FWD	1995	125	170	12.15-12.23	■
2.0 EcoBlue (YNFA)	for steel rims	Diesel	FWD	1995	125	170	12.15-12.23	■
2.0 EcoBlue (YNFB)	for steel rims	Diesel	FWD	1995	125	170	12.15-12.23	■
2.0 EcoBlue (YNFS)	for steel rims	Diesel	FWD	1995	125	170	12.15-12.23	■
2.0 EcoBlue (BCFA)	for steel rims	Diesel	FWD	1995	136	185	05.19-12.23	■
2.0 EcoBlue (BCFB)	for steel rims	Diesel	FWD	1995	136	185	05.19-12.23	■
2.2 TDCi (DRF4)	for steel rims	Diesel	FWD	2198	74	100	09.12-12.15	■
2.2 TDCi (DRFF)	for steel rims	Diesel	FWD	2198	74	100	09.12-12.15	■
2.2 TDCi (DRFG)	for steel rims	Diesel	FWD	2198	74	100	09.12-12.15	■
2.2 TDCi (CYF4)	for steel rims	Diesel	FWD	2198	92	125	09.12-12.15	■
2.2 TDCi (CYFF)	for steel rims	Diesel	FWD	2198	92	125	09.12-12.15	■
2.2 TDCi (CVFF)	for steel rims	Diesel	FWD	2198	114	155	09.12-12.15	■
TRANSIT VI V363 (FAD, FBD) 08.13-					Bus (Minibus-M2-Segment)			
3.7 RWD (C37PDED)	for steel rims, Syst. 16"	Gasolina	RWD	3726	205	279	09.15-12.19	■
2.0 EcoBlue mHEV (BKFC)	for steel rims	Diesel/el éc.	FWD	1995	96	130	05.19-	■
2.0 EcoBlue mHEV (BKFD)	for steel rims	Diesel/el éc.	FWD	1995	96	130	05.19-	■
2.0 EcoBlue mHEV		Diesel/el éc.	FWD	1995	110	150	10.21-	■
2.0 EcoBlue mHEV (BLFC)	for steel rims	Diesel/el éc.	FWD	1995	125	170	05.19-06.24	■
2.0 EcoBlue mHEV (BLFD)	for steel rims	Diesel/el éc.	FWD	1995	125	170	05.19-06.24	■
2.0 EcoBlue (BJFA)	for steel rims, Syst. 16"	Diesel	FWD	1995	77	105	03.16-	■
2.0 EcoBlue (BJFB)	for steel rims, Syst. 16"	Diesel	FWD	1995	77	105	03.16-	■
2.0 EcoBlue (YLF6)	for steel rims, Syst. 16"	Diesel	FWD	1995	77	105	03.16-	■
2.0 EcoBlue (YLFA)	for steel rims, Syst. 16"	Diesel	FWD	1995	77	105	03.16-	■
2.0 EcoBlue (YLFB)	for steel rims, Syst. 16"	Diesel	FWD	1995	77	105	03.16-	■
2.0 EcoBlue (YLFS)	for steel rims, Syst. 16"	Diesel	FWD	1995	77	105	03.16-	■
2.0 EcoBlue (BKFA)	for steel rims, Syst. 16"	Diesel	FWD	1995	96	130	03.16-	■
2.0 EcoBlue (BKFB)	for steel rims, Syst. 16"	Diesel	FWD	1995	96	130	03.16-	■
2.0 EcoBlue (YMF6)	for steel rims, Syst. 16"	Diesel	FWD	1995	96	130	03.16-	■
2.0 EcoBlue (YMFA)	for steel rims, Syst. 16"	Diesel	FWD	1995	96	130	03.16-	■
2.0 EcoBlue (YMF6)	for steel rims, Syst. 16"	Diesel	FWD	1995	96	130	03.16-	■
2.0 EcoBlue (YMFB)	for steel rims, Syst. 16"	Diesel	FWD	1995	96	130	03.16-	■
2.0 EcoBlue (YMFS)	for steel rims, Syst. 16"	Diesel	FWD	1995	96	130	03.16-	■
2.0 EcoBlue		Diesel	FWD	1995	110	150	10.21-	■
2.0 EcoBlue (BLFA)	for steel rims, Syst. 16"	Diesel	FWD	1995	125	170	03.16-06.24	■
2.0 EcoBlue (BLFB)	for steel rims, Syst. 16"	Diesel	FWD	1995	125	170	03.16-06.24	■
2.0 EcoBlue (YNF6)	for steel rims, Syst. 16"	Diesel	FWD	1995	125	170	03.16-06.24	■
2.0 EcoBlue (YNFA)	for steel rims, Syst. 16"	Diesel	FWD	1995	125	170	03.16-06.24	■
2.0 EcoBlue (YNFB)	for steel rims, Syst. 16"	Diesel	FWD	1995	125	170	03.16-06.24	■
2.0 EcoBlue (YNFS)	for steel rims, Syst. 16"	Diesel	FWD	1995	125	170	03.16-06.24	■
2.0 EcoBlue RWD (BLHA)	for steel rims, Syst. 16"	Diesel	RWD	1995	125	170	05.19-06.24	■
2.2 TDCi (DRF5)	for steel rims, Syst. 16"	Diesel	FWD	2198	74	100	08.13-12.18	■
2.2 TDCi (DRFF)	for steel rims, Syst. 16"	Diesel	FWD	2198	74	100	08.13-12.18	■
2.2 TDCi (DRFG)	for steel rims, Syst. 16"	Diesel	FWD	2198	74	100	08.13-12.18	■
2.2 TDCi (CY14)	for steel rims, Syst. 16"	Diesel	FWD	2198	92	125	08.13-12.18	■
2.2 TDCi (CYF5)	for steel rims, Syst. 16"	Diesel	FWD	2198	92	125	08.13-12.18	■
2.2 TDCi (CYFG)	for steel rims, Syst. 16"	Diesel	FWD	2198	92	125	08.13-12.18	■
2.2 TDCi (USF6)	for steel rims, Syst. 16"	Diesel	FWD	2198	92	125	08.13-12.18	■
2.2 TDCi (CVF5)	for steel rims, Syst. 16"	Diesel	FWD	2198	114	155	12.14-12.18	■

LISTA DE APLICACIONES - BUYERS GUIDE

TRANSIT VI V363 (FED, FFD) 08.13-					Platform/Chassis (LCVs-N1 Segment)			
2.0 EcoBlue mHEV (BKFC)	for steel rims	Diesel/el éc.	FWD	1995	96	130	05.19-	■
2.0 EcoBlue mHEV (BKFD)	for steel rims	Diesel/el éc.	FWD	1995	96	130	05.19-	■
2.0 EcoBlue mHEV RWD (BKR B)	for steel rims	Diesel/el éc.	RWD	1995	96	130	05.19-	■
2.0 EcoBlue mHEV (BLFC)	for steel rims	Diesel/el éc.	FWD	1995	125	170	05.19-06.24	■
2.0 EcoBlue mHEV (BLFD)	for steel rims	Diesel/el éc.	FWD	1995	125	170	05.19-06.24	■
2.0 EcoBlue mHEV RWD (BLRB)	for steel rims	Diesel/el éc.	RWD	1995	125	170	05.19-06.24	■
2.0 EcoBlue (BJFA)	for steel rims, Syst. 16"	Diesel	FWD	1995	77	105	03.16-	■
2.0 EcoBlue (BJFB)	for steel rims, Syst. 16"	Diesel	FWD	1995	77	105	03.16-	■
2.0 EcoBlue (YLF6)	for steel rims, Syst. 16"	Diesel	FWD	1995	77	105	03.16-	■
2.0 EcoBlue (YLFA)	for steel rims, Syst. 16"	Diesel	FWD	1995	77	105	03.16-	■
2.0 EcoBlue (YLFB)	for steel rims, Syst. 16"	Diesel	FWD	1995	77	105	03.16-	■
2.0 EcoBlue (YLFS)	for steel rims, Syst. 16"	Diesel	FWD	1995	77	105	03.16-	■
2.0 EcoBlue (BKFA)	for steel rims, Syst. 16"	Diesel	FWD	1995	96	130	03.16-	■
2.0 EcoBlue (BKFB)	for steel rims, Syst. 16"	Diesel	FWD	1995	96	130	03.16-	■
2.0 EcoBlue (YMF6)	for steel rims, Syst. 16"	Diesel	FWD	1995	96	130	03.16-	■
2.0 EcoBlue (YMFA)	for steel rims, Syst. 16"	Diesel	FWD	1995	96	130	03.16-	■
2.0 EcoBlue (YMF B)	for steel rims, Syst. 16"	Diesel	FWD	1995	96	130	03.16-	■
2.0 EcoBlue (YMFS)	for steel rims, Syst. 16"	Diesel	FWD	1995	96	130	03.16-	■
2.0 EcoBlue		Diesel	FWD	1995	118	160	01.21-	■
2.0 EcoBlue (BLFA)	for steel rims, Syst. 16"	Diesel	FWD	1995	125	170	03.16-06.24	■
2.0 EcoBlue (BLFB)	for steel rims, Syst. 16"	Diesel	FWD	1995	125	170	03.16-06.24	■
2.0 EcoBlue (YNF6)	for steel rims, Syst. 16"	Diesel	FWD	1995	125	170	03.16-06.24	■
2.0 EcoBlue (YNFA)	for steel rims, Syst. 16"	Diesel	FWD	1995	125	170	03.16-06.24	■
2.0 EcoBlue (YNFB)	for steel rims, Syst. 16"	Diesel	FWD	1995	125	170	03.16-06.24	■
2.0 EcoBlue (YNFS)	for steel rims, Syst. 16"	Diesel	FWD	1995	125	170	03.16-06.24	■
2.0 EcoBlue (BCFB)	for steel rims	Diesel	FWD	1995	136	185	05.19-	■
2.0 EcoBlue RWD (BCRA)	for steel rims	Diesel	RWD	1995	136	185	05.19-	■
2.2 TDCi (DRF5)	for steel rims, Syst. 16"	Diesel	FWD	2198	74	100	08.13-12.18	■
2.2 TDCi (DRFF)	for steel rims, Syst. 16"	Diesel	FWD	2198	74	100	08.13-12.18	■
2.2 TDCi (DRFG)	for steel rims, Syst. 16"	Diesel	FWD	2198	74	100	08.13-12.18	■
2.2 TDCi (CY14)	for steel rims, Syst. 16"	Diesel	FWD	2198	92	125	08.13-12.18	■
2.2 TDCi (CYF5)	for steel rims, Syst. 16"	Diesel	FWD	2198	92	125	08.13-12.18	■
2.2 TDCi (CYFG)	for steel rims, Syst. 16"	Diesel	FWD	2198	92	125	08.13-12.18	■
2.2 TDCi (USF6)	for steel rims, Syst. 16"	Diesel	FWD	2198	92	125	08.13-12.18	■
2.2 TDCi (CVF5)	for steel rims, Syst. 16"	Diesel	FWD	2198	114	155	08.13-12.18	■
TRANSIT VI V363 (FCD, FDD) 08.13-					Van (LCVs-N1 Segment)			
2.0 EcoBlue mHEV (BKFC)	for steel rims	Diesel/el éc.	FWD	1995	96	130	05.19-	■
2.0 EcoBlue mHEV (BKFD)	for steel rims	Diesel/el éc.	FWD	1995	96	130	05.19-	■
2.0 EcoBlue mHEV RWD (BKR B)	for steel rims	Diesel/el éc.	RWD	1995	96	130	05.19-	■
2.0 EcoBlue mHEV (BLFC)	for steel rims	Diesel/el éc.	FWD	1995	125	170	05.19-06.24	■
2.0 EcoBlue mHEV (BLFD)	for steel rims	Diesel/el éc.	FWD	1995	125	170	05.19-06.24	■
2.0 EcoBlue mHEV RWD (BLRB)	for steel rims	Diesel/el éc.	RWD	1995	125	170	05.19-06.24	■
2.0 EcoBlue (BJFA)	for steel rims, Syst. 16"	Diesel	FWD	1995	77	105	03.16-	■
2.0 EcoBlue (BJFB)	for steel rims, Syst. 16"	Diesel	FWD	1995	77	105	03.16-	■

LISTA DE APLICACIONES - BUYERS GUIDE

2.0 EcoBlue (YLF6)	for steel rims, Syst. 16"	Diesel	FWD	1995	77	105	03.16-	■	
2.0 EcoBlue (YLFA)	for steel rims, Syst. 16"	Diesel	FWD	1995	77	105	03.16-	■	
2.0 EcoBlue (YLF6)	for steel rims, Syst. 16"	Diesel	FWD	1995	77	105	03.16-	■	
2.0 EcoBlue (YLFS)	for steel rims, Syst. 16"	Diesel	FWD	1995	77	105	03.16-	■	
2.0 EcoBlue (BKFA)	for steel rims, Syst. 16"	Diesel	FWD	1995	96	130	03.16-	■	
2.0 EcoBlue (BKFB)	for steel rims, Syst. 16"	Diesel	FWD	1995	96	130	03.16-	■	
2.0 EcoBlue (YMF6)	for steel rims, Syst. 16"	Diesel	FWD	1995	96	130	03.16-	■	
2.0 EcoBlue (YMFA)	for steel rims, Syst. 16"	Diesel	FWD	1995	96	130	03.16-	■	
2.0 EcoBlue (YMFB)	for steel rims, Syst. 16"	Diesel	FWD	1995	96	130	03.16-	■	
2.0 EcoBlue (YMFS)	for steel rims, Syst. 16"	Diesel	FWD	1995	96	130	03.16-	■	
2.0 EcoBlue (BLFA)	for steel rims, Syst. 16"	Diesel	FWD	1995	125	170	03.16-06.24	■	
2.0 EcoBlue (BLFB)	for steel rims, Syst. 16"	Diesel	FWD	1995	125	170	03.16-06.24	■	
2.0 EcoBlue (YNF6)	for steel rims, Syst. 16"	Diesel	FWD	1995	125	170	03.16-06.24	■	
2.0 EcoBlue (YNFA)	for steel rims, Syst. 16"	Diesel	FWD	1995	125	170	03.16-06.24	■	
2.0 EcoBlue (YNFB)	for steel rims, Syst. 16"	Diesel	FWD	1995	125	170	03.16-06.24	■	
2.0 EcoBlue (YNFS)	for steel rims, Syst. 16"	Diesel	FWD	1995	125	170	03.16-06.24	■	
2.0 EcoBlue (BCFB)	for steel rims	Diesel	FWD	1995	136	185	05.19-	■	
2.0 EcoBlue RWD (BCRA)	for steel rims	Diesel	RWD	1995	136	185	05.19-	■	
2.2 TDCi (DRF5)	for steel rims, Syst. 16"	Diesel	FWD	2198	74	100	08.13-12.18	■	
2.2 TDCi (DRFF)	for steel rims, Syst. 16"	Diesel	FWD	2198	74	100	08.13-12.18	■	
2.2 TDCi (DRFG)	for steel rims, Syst. 16"	Diesel	FWD	2198	74	100	08.13-12.18	■	
2.2 TDCi (CY14)	for steel rims, Syst. 16"	Diesel	FWD	2198	92	125	08.13-12.18	■	
2.2 TDCi (CYF5)	for steel rims, Syst. 16"	Diesel	FWD	2198	92	125	08.13-12.18	■	
2.2 TDCi (CYFG)	for steel rims, Syst. 16"	Diesel	FWD	2198	92	125	08.13-12.18	■	
2.2 TDCi (USF6)	for steel rims, Syst. 16"	Diesel	FWD	2198	92	125	08.13-12.18	■	
2.2 TDCi (CVF5)	for steel rims, Syst. 16"	Diesel	FWD	2198	114	155	08.13-12.18	■	
TRANSIT CUSTOM V362 (F3) 04.12-						Bus (Minibus-M2-Segment)			
1.0 EcoBoost PHEV (M1FA)		Gasol./el éc.	FWD	996	92	125	04.20-12.23	■	
2.0 EcoBlue mHEV (BJFC)	for steel rims	Diesel/el éc.	FWD	1995	77	105	05.19-12.23	■	
2.0 EcoBlue mHEV (BJFD)	for steel rims	Diesel/el éc.	FWD	1995	77	105	05.19-12.23	■	
2.0 EcoBlue mHEV (BKFC)	for steel rims	Diesel/el éc.	FWD	1995	96	130	05.19-12.23	■	
2.0 EcoBlue mHEV (BKFD)	for steel rims	Diesel/el éc.	FWD	1995	96	130	05.19-12.23	■	
2.0 EcoBlue mHEV	for steel rims	Diesel/el éc.	FWD	1995	110	150	01.22-12.23	■	
2.0 EcoBlue mHEV (BLFC)	for steel rims	Diesel/el éc.	FWD	1995	125	170	05.19-12.23	■	
2.0 EcoBlue mHEV (BLFD)	for steel rims	Diesel/el éc.	FWD	1995	125	170	05.19-12.23	■	
2.0 EcoBlue mHEV (BCFC)	for steel rims	Diesel/el éc.	FWD	1995	136	185	05.19-12.23	■	
2.0 EcoBlue mHEV (BCFD)	for steel rims	Diesel/el éc.	FWD	1995	136	185	05.19-12.23	■	
2.0 EcoBlue (BJFA)	for steel rims	Diesel	FWD	1995	77	105	12.15-12.23	■	
2.0 EcoBlue (BJFB)	for steel rims	Diesel	FWD	1995	77	105	12.15-12.23	■	
2.0 EcoBlue (YLF6)	for steel rims	Diesel	FWD	1995	77	105	12.15-12.23	■	
2.0 EcoBlue (YLFA)	for steel rims	Diesel	FWD	1995	77	105	12.15-12.23	■	
2.0 EcoBlue (YLF6)	for steel rims	Diesel	FWD	1995	77	105	12.15-12.23	■	
2.0 EcoBlue (YLFS)	for steel rims	Diesel	FWD	1995	77	105	12.15-12.23	■	
2.0 EcoBlue (BKFA)	for steel rims	Diesel	FWD	1995	96	130	12.15-12.23	■	
2.0 EcoBlue (BKFB)	for steel rims	Diesel	FWD	1995	96	130	12.15-12.23	■	
2.0 EcoBlue (YMF6)	for steel rims	Diesel	FWD	1995	96	130	12.15-12.23	■	
2.0 EcoBlue (YMFA)	for steel rims	Diesel	FWD	1995	96	130	12.15-12.23	■	

LISTA DE APLICACIONES - BUYERS GUIDE

2.0 EcoBlue (YMFB)	for steel rims	Diesel	FWD	1995	96	130	12.15-12.23	■	
2.0 EcoBlue (YMFS)	for steel rims	Diesel	FWD	1995	96	130	12.15-12.23	■	
2.0 EcoBlue	for steel rims	Diesel	FWD	1995	110	150	01.22-12.23	■	
2.0 EcoBlue (BLFA)	for steel rims	Diesel	FWD	1995	125	170	12.15-12.23	■	
2.0 EcoBlue (BLFB)	for steel rims	Diesel	FWD	1995	125	170	12.15-12.23	■	
2.0 EcoBlue (YNF6)	for steel rims	Diesel	FWD	1995	125	170	12.15-12.23	■	
2.0 EcoBlue (YNFA)	for steel rims	Diesel	FWD	1995	125	170	12.15-12.23	■	
2.0 EcoBlue (YNFB)	for steel rims	Diesel	FWD	1995	125	170	12.15-12.23	■	
2.0 EcoBlue (YNFS)	for steel rims	Diesel	FWD	1995	125	170	12.15-12.23	■	
2.0 EcoBlue (BCFA)	for steel rims	Diesel	FWD	1995	136	185	05.19-12.23	■	
2.0 EcoBlue (BCFB)	for steel rims	Diesel	FWD	1995	136	185	05.19-12.23	■	
2.2 TDCi (DRF4)	for steel rims	Diesel	FWD	2198	74	100	09.12-06.16	■	
2.2 TDCi (DRFF)	for steel rims	Diesel	FWD	2198	74	100	09.12-06.16	■	
2.2 TDCi (DRFG)	for steel rims	Diesel	FWD	2198	74	100	09.12-06.16	■	
2.2 TDCi (CYF4)	for steel rims	Diesel	FWD	2198	92	125	09.12-12.15	■	
2.2 TDCi (CYFF)	for steel rims	Diesel	FWD	2198	92	125	09.12-12.15	■	
2.2 TDCi (CVFF)	for steel rims	Diesel	FWD	2198	114	155	09.12-12.15	■	
TRANSIT CUSTOM V362 (FY, FZ) 09.12-							Van (LCVs-N1 Segment)		
2.0 EcoBlue mHEV (BKFC)	for steel rims	Diesel/el éc.	FWD	1995	96	130	05.19-12.23	■	
2.0 EcoBlue mHEV (BKFD)	for steel rims	Diesel/el éc.	FWD	1995	96	130	05.19-12.23	■	
2.0 EcoBlue mHEV (BLFC)	for steel rims	Diesel/el éc.	FWD	1995	125	170	05.19-12.23	■	
2.0 EcoBlue mHEV (BLFD)	for steel rims	Diesel/el éc.	FWD	1995	125	170	05.19-12.23	■	
2.0 EcoBlue mHEV (BCFC)	for steel rims	Diesel/el éc.	FWD	1995	136	185	05.19-12.23	■	
2.0 EcoBlue mHEV (BCFD)	for steel rims	Diesel/el éc.	FWD	1995	136	185	05.19-12.23	■	
2.0 EcoBlue (BJFA)	for steel rims	Diesel	FWD	1995	77	105	12.15-12.23	■	
2.0 EcoBlue (BJFB)	for steel rims	Diesel	FWD	1995	77	105	12.15-12.23	■	
2.0 EcoBlue (YLF6)	for steel rims	Diesel	FWD	1995	77	105	12.15-12.23	■	
2.0 EcoBlue (YLFA)	for steel rims	Diesel	FWD	1995	77	105	12.15-12.23	■	
2.0 EcoBlue (YLFB)	for steel rims	Diesel	FWD	1995	77	105	12.15-12.23	■	
2.0 EcoBlue (YLFS)	for steel rims	Diesel	FWD	1995	77	105	12.15-12.23	■	
2.0 EcoBlue (BKFA)	for steel rims	Diesel	FWD	1995	96	130	12.15-12.23	■	
2.0 EcoBlue (BKFB)	for steel rims	Diesel	FWD	1995	96	130	12.15-12.23	■	
2.0 EcoBlue (YMF6)	for steel rims	Diesel	FWD	1995	96	130	12.15-12.23	■	
2.0 EcoBlue (YMFA)	for steel rims	Diesel	FWD	1995	96	130	12.15-12.23	■	
2.0 EcoBlue (YMFB)	for steel rims	Diesel	FWD	1995	96	130	12.15-12.23	■	
2.0 EcoBlue (YMFS)	for steel rims	Diesel	FWD	1995	96	130	12.15-12.23	■	
2.0 EcoBlue (BLFA)	for steel rims	Diesel	FWD	1995	125	170	12.15-12.23	■	
2.0 EcoBlue (BLFB)	for steel rims	Diesel	FWD	1995	125	170	12.15-12.23	■	
2.0 EcoBlue (YNF6)	for steel rims	Diesel	FWD	1995	125	170	12.15-12.23	■	
2.0 EcoBlue (YNFA)	for steel rims	Diesel	FWD	1995	125	170	12.15-12.23	■	
2.0 EcoBlue (YNFB)	for steel rims	Diesel	FWD	1995	125	170	12.15-12.23	■	
2.0 EcoBlue (YNFS)	for steel rims	Diesel	FWD	1995	125	170	12.15-12.23	■	
2.0 EcoBlue (BCFA)	for steel rims	Diesel	FWD	1995	136	185	05.19-12.23	■	
2.0 EcoBlue (BCFB)	for steel rims	Diesel	FWD	1995	136	185	05.19-12.23	■	
2.2 TDCi (DRF4)	for steel rims	Diesel	FWD	2198	74	100	09.12-06.16	■	
2.2 TDCi (DRFF)	for steel rims	Diesel	FWD	2198	74	100	09.12-06.16	■	
2.2 TDCi (DRFG)	for steel rims	Diesel	FWD	2198	74	100	09.12-06.16	■	
2.2 TDCi (CYF4)	for steel rims	Diesel	FWD	2198	92	125	09.12-12.23	■	

LISTA DE APLICACIONES - BUYERS GUIDE

2.2 TDCi (CYFF)	for steel rims	Diesel	FWD	2198	92	125	09.12-12.23	■
2.2 TDCi (CVFF)	for steel rims	Diesel	FWD	2198	114	155	09.12-12.15	■
FORD AUSTRALIA								
TOURNEO 05.14-						Bus (Minibus-M2-Segment)		
2.2 TDCi	for steel rims	Diesel	RWD	2198	114	155	05.14-	■
TRANSIT (VO) 09.14-						Platform/Chassis (LCVs-N1 Segment)		
2.2 TDCi	for steel rims	Diesel	RWD	2198	114	155	09.14-	■
TRANSIT CUSTOM (VN) 09.13-						Van (LCVs-N1 Segment)		
2.2 TDCi	for steel rims	Diesel	RWD	2198	92	125	09.13-	■