

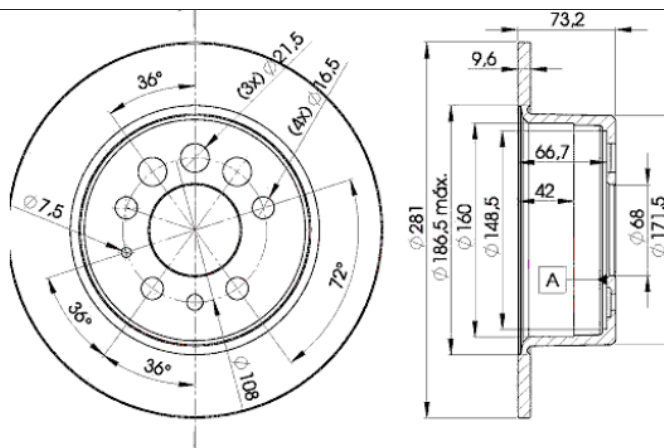
LISTA DE APLICACIONES - BUYERS GUIDE

78BD5782-1



Weight: 5.114

O.E.M.	MAKE
1 205 782	VOLVO
1 205 782 4	VOLVO
2 707 36	VOLVO
2 707 362	VOLVO



78BD5782-1



Ø281x9.6x73.2

MAKE
MITSUBISHI
VOLVO



Trac.	CC	Kw	CV	Hourglass icon	Front / Rear
-------	----	----	----	----------------	--------------

MITSUBISHI

LANCER CARGO IV (CS_W, CS_V) 01.03-06.08						Estate Van (Compact car-C Segment)		
2.0 (CS9W)	Gasolina	FWD	1997	99	135	09.03-06.08	■	

VOLVO

240 (P242, P244) 08.74-12.93						Saloon (Executive car-E Segment)		
2.0 (B 20 A)	Gasolina	RWD	1986	60	82	08.74-07.76	■	
2.0	Gasolina	RWD	1986	60	82	09.74-12.75	■	
2.0 (B 19 A)	Gasolina	RWD	1986	66	90	08.76-07.79	■	
2.0 (B 19 A)	Gasolina	RWD	1986	71	97	09.78-08.83	■	
2.0 (B 19 K)	Gasolina	RWD	1986	71	97	09.78-08.83	■	
2.0 (B 19 E)	Gasolina	RWD	1986	74	101	08.84-08.89	■	
2.0 (B 200 K)	Gasolina	RWD	1986	76	103	08.84-07.85	■	
2.0 (B 19 E)	Gasolina	RWD	1986	82	111	01.90-12.93	■	
2.0 (B 200 F)	Gasolina	RWD	1986	82	111	01.90-12.93	■	
2.0 (B 200 E)	Gasolina	RWD	1986	89	121	09.84-12.93	■	
2.0 (B 19 ET)	Gasolina	RWD	1986	100	136	10.82-08.84	■	
2.1 (B 21 A)	Gasolina	RWD	2127	71	97	08.74-07.75	■	
2.1 (B 21 A)	Gasolina	RWD	2127	74	100	08.75-07.80	■	
2.1 (B 21 A)	Gasolina	RWD	2127	78	106	01.83-12.84	■	
2.1 (B 21 A)	Gasolina	RWD	2127	79	107	08.80-07.84	■	
2.1 (B 21 E)	Gasolina	RWD	2127	90	122	08.74-09.83	■	
2.1 Turbo (B 21 ET)	Gasolina	RWD	2127	114	155	08.80-07.84	■	
2.3 (B 230 F)	Gasolina	RWD	2315	83	113	08.86-07.87	■	
2.3 (B 230 A)	Gasolina	RWD	2316	81	110	08.84-07.86	■	

LISTA DE APLICACIONES - BUYERS GUIDE

2.3 (B 23 A)		Gasolina	RWD	2316	82	112	08.80-07.84	■	
2.3 (B 230 K)		Gasolina	RWD	2316	85	115	08.86-12.88	■	
2.3 i Cat (B 230 F)		Gasolina	RWD	2316	85	115	08.86-07.93	■	
2.3 (B 230 E)		Gasolina	RWD	2316	96	131	08.83-07.85	■	
2.3 (B 23 E)		Gasolina	RWD	2316	98	133	08.84-12.89	■	
2.3 (B 23 E)		Gasolina	RWD	2316	100	136	08.80-07.83	■	
2.3 (B 23 F)		Gasolina	RWD	2316	100	136	08.80-07.83	■	
2.3 (B 23 E)		Gasolina	RWD	2316	103	140	08.78-12.82	■	
2.7 GLT6 (B 27 E)		Gasolina	RWD	2664	104	141	08.79-07.80	■	
2.8 (B 28 E)		Gasolina	RWD	2849	114	155	10.82-09.84	■	
2.4 Diesel (D 24)		Diesel	RWD	2383	58	79	08.87-08.93	■	
2.4 Diesel (D 24)		Diesel	RWD	2383	60	82	08.78-07.85	■	
240 Kombi (P245) 08.74-12.93							Estate (Executive car-E Segment)		
2.0 (B 20 A)		Gasolina	RWD	1986	60	82	08.74-07.75	■	
2.0 (B 19 A)		Gasolina	RWD	1986	66	90	08.76-01.82	■	
2.0 (B 19 A)		Gasolina	RWD	1986	71	97	08.80-12.84	■	
2.0 (B 19 K)		Gasolina	RWD	1986	71	97	08.80-12.84	■	
2.0 (B 200 K)		Gasolina	RWD	1986	76	103	08.84-07.85	■	
2.0 (B 200 F)		Gasolina	RWD	1986	82	111	09.88-12.93	■	
2.0 (B 200 E)		Gasolina	RWD	1986	86	117	08.83-07.93	■	
2.0 (B 19 ET)		Gasolina	RWD	1986	100	136	10.82-08.84	■	
2.1 (B 21 A)		Gasolina	RWD	2127	71	97	08.74-07.75	■	
2.1 (B 21 A)		Gasolina	RWD	2127	74	100	08.75-07.80	■	
2.1 (B 21 A)		Gasolina	RWD	2127	79	107	08.80-07.84	■	
2.1 (B 21 F)		Gasolina	RWD	2127	80	109	08.80-07.84	■	
2.1		Gasolina	FWD	2127	86	117	01.77-08.78	■	
2.1 (B 21 E)		Gasolina	RWD	2127	90	122	08.74-09.83	■	
2.1 Turbo (B 21 ET)		Gasolina	RWD	2127	114	155	08.80-07.85	■	
2.3 (B 230 A)		Gasolina	RWD	2316	81	110	08.84-07.86	■	
2.3 (B 23 A)		Gasolina	RWD	2316	82	112	08.80-07.84	■	
2.3 (B 230 F)		Gasolina	RWD	2316	83	113	08.86-07.87	■	
2.3 (B 230 K)		Gasolina	RWD	2316	85	115	08.86-12.88	■	
2.3 i Cat (B 230 F)		Gasolina	RWD	2316	85	115	08.86-07.93	■	
2.3 (B 230 E)		Gasolina	RWD	2316	96	131	08.84-07.85	■	
2.3 (B 23 E)		Gasolina	RWD	2316	98	133	08.84-12.88	■	
2.3 (B 23 E)		Gasolina	RWD	2316	100	136	08.80-12.84	■	
2.3 Cat (B 230 F)		Gasolina	RWD	2316	100	136	08.91-07.92	■	
2.7 GLT6 (B 27 E)		Gasolina	RWD	2664	104	141	08.79-07.80	■	
2.8 (B 28 A)		Gasolina	RWD	2849	95	129	10.81-09.82	■	
2.8 (B 28 E)		Gasolina	RWD	2849	114	155	10.80-09.82	■	
2.0 D (D 20)		Diesel	RWD	1985	50	68	09.78-10.80	■	
2.4 Diesel (D 24)		Diesel	RWD	2383	58	79	08.88-08.93	■	
2.4 Diesel (D 24)		Diesel	RWD	2383	60	82	04.79-08.93	■	
260 (P262) 09.75-12.85							Coupe (Executive car-E Segment)		
2.7 (B 27 E)		Gasolina	RWD	2664	103	140	08.77-07.78	■	
2.8 (B 28 F)		Gasolina	RWD	2849	114	155	09.79-12.81	■	
260 (P265) 07.75-07.82							Estate (Executive car-E Segment)		
2.7 (B 27 A)		Gasolina	RWD	2664	92	125	08.75-07.77	■	
2.7 (B 27 E)		Gasolina	RWD	2664	103	140	07.75-07.82	■	
2.7 (B 27 F)		Gasolina	RWD	2664	109	148	10.78-07.82	■	

LISTA DE APLICACIONES - BUYERS GUIDE

2.8 (B 28 F)		Gasolina	RWD	2849	114	155	08.80-07.82	■	
260 (P262, P264) 08.74-07.82					Saloon (Executive car-E Segment)				
2.7 (B 27 A)		Gasolina	RWD	2664	92	125	08.76-07.82	■	
2.7 (B 27 E)		Gasolina	RWD	2664	103	140	08.74-07.80	■	
2.7 (B 27 E)		Gasolina	RWD	2664	109	148	08.78-07.82	■	
2.7 (B 27 F)		Gasolina	RWD	2664	109	148	08.78-07.82	■	
2.8 (B 28 A)		Gasolina	RWD	2849	95	129	08.80-07.82	■	
2.8 (B 28 E)		Gasolina	RWD	2849	114	155	08.80-07.82	■	
740 (744) 04.83-12.92					Saloon (Executive car-E Segment)				
2.0 (B 200 K)		Gasolina	RWD	1986	76	103	09.88-08.90	■	
2.0 (B 200 F)		Gasolina	RWD	1986	82	111	09.90-08.92	■	
2.0 GLE (B 19 E)		Gasolina	RWD	1986	85	116	04.83-07.84	■	
2.0 (B 200 E)		Gasolina	RWD	1986	86	117	01.87-08.88	■	
2.0 (B 200 G)		Gasolina	RWD	1986	89	121	08.85-07.92	■	
2.0 GLE (B 204 E)		Gasolina	RWD	1986	103	140	09.87-08.90	■	
2.0 (B 19 ET)		Gasolina	RWD	1986	110	150	12.83-07.84	■	
2.0 Turbo (B 200 FT)		Gasolina	RWD	1986	114	155	09.90-08.91	■	
2.0 (B 200 ET)		Gasolina	RWD	1986	118	160	01.86-08.90	■	
2.0 (B 200 ET)		Gasolina	RWD	1986	120	163	01.85-12.85	■	
2.0 (B 204 FTE)		Gasolina	RWD	1986	147	200	09.90-08.92	■	
2.3 (B 230 F)		Gasolina	RWD	2315	83	113	09.85-12.89	■	
2.3 (B 230 A)		Gasolina	RWD	2316	82	112	08.84-07.86	■	
2.3 (B 23 A)		Gasolina	RWD	2316	84	114	08.84-07.90	■	
2.3 (B 230 F)		Gasolina	RWD	2316	84	114	08.84-07.90	■	
2.3 (B 230 F)		Gasolina	RWD	2316	85	115	08.87-07.92	■	
2.3 (B 230 K)		Gasolina	RWD	2316	86	117	10.84-07.88	■	
2.3 (B 23 E)		Gasolina	RWD	2316	95	129	08.83-07.84	■	
2.3 (B 230 E)		Gasolina	RWD	2316	96	131	08.84-12.92	■	
2.3 (B 230 FB)		Gasolina	RWD	2316	96	131	08.84-12.92	■	
2.3		Gasolina	RWD	2316	96	131	07.90-12.92	■	
2.3 GLE (B 23 E)		Gasolina	RWD	2316	103	140	08.84-12.85	■	
2.3 (B 234 F)		Gasolina	RWD	2316	111	151	08.88-08.92	■	
2.3 (B 234 F)		Gasolina	RWD	2316	114	156	08.88-07.91	■	
2.3 Turbo (B 230 FT)		Gasolina	RWD	2316	115	156	08.86-07.89	■	
2.3 (B 234 F)		Gasolina	RWD	2316	117	159	08.87-07.89	■	
2.3 Turbo (B 230 FT)		Gasolina	RWD	2316	121	165	08.89-07.90	■	
2.3 Turbo (B 230 FT)		Gasolina	RWD	2316	125	170	09.89-08.91	■	
2.3 Turbo (B 230 GT)		Gasolina	RWD	2316	125	170	09.89-08.91	■	
2.3 Turbo (B 230 ET)		Gasolina	RWD	2316	134	182	08.85-12.88	■	
2.3 Turbo (B 230 FT)		Gasolina	RWD	2316	140	190	08.89-07.90	■	
2.4 Diesel (D 24)		Diesel	RWD	2383	60	82	08.84-07.92	■	
2.4 TD (D 24 T)		Diesel	RWD	2383	80	109	08.85-12.90	■	
2.4 TD (D 24 T)		Diesel	RWD	2383	83	113	08.84-07.90	■	
2.4 TD (D 24 TIC)		Diesel	RWD	2383	90	122	08.86-10.88	■	
740 Kombi (745) 08.84-12.92					Estate (Executive car-E Segment)				
2.0 (B 200 K)		Gasolina	RWD	1986	76	103	09.88-08.90	■	
2.0 (B 200 F)		Gasolina	RWD	1986	82	112	08.89-07.91	■	
2.0 (B 200 E)		Gasolina	RWD	1986	86	117	01.87-08.88	■	
2.0 (B 200 E)		Gasolina	RWD	1986	89	121	08.85-07.92	■	
2.0 (B 200 G)		Gasolina	RWD	1986	89	121	08.85-07.92	■	

LISTA DE APLICACIONES - BUYERS GUIDE

2.0 16V (B 204 E)		Gasolina	RWD	1986	100	136	09.87-08.90	■
2.0 GLE		Gasolina	FWD	1986	103	140	09.87-08.90	■
2.0 Turbo (B 200 FT)		Gasolina	RWD	1986	114	155	09.90-08.91	■
2.0 Turbo (B 200 ET)		Gasolina	RWD	1986	115	156	09.87-08.90	■
2.0 Turbo (B 200 ET)		Gasolina	RWD	1986	118	160	05.85-08.87	■
2.0 Turbo (B 200 ET)		Gasolina	RWD	1986	121	165	05.85-08.87	■
2.0 (B 204 FTE)		Gasolina	RWD	1986	147	200	09.90-08.92	■
2.3 (B 230 A)		Gasolina	RWD	2316	82	112	08.85-07.86	■
2.3 (B 230 F)		Gasolina	RWD	2316	83	113	08.85-12.89	■
2.3 (B 230 K)		Gasolina	RWD	2316	84	114	09.85-07.90	■
2.3 (B 230 F)		Gasolina	RWD	2316	85	115	08.87-07.92	■
2.3 (B 230 F)		Gasolina	RWD	2316	87	118	01.88-10.90	■
2.3 GL		Gasolina	FWD	2316	89	121	08.84-08.87	■
2.3 (B 230 E)		Gasolina	RWD	2316	96	131	08.85-07.88	■
2.3 (B 230 FB)		Gasolina	RWD	2316	96	131	07.90-12.92	■
2.3 GLE		Gasolina	FWD	2316	103	140	08.84-08.87	■
2.3 (B 234 F)		Gasolina	RWD	2316	111	151	07.89-08.92	■
2.3 (B 234 F)		Gasolina	RWD	2316	114	156	08.88-07.90	■
2.3 Turbo (B 230 FT)		Gasolina	RWD	2316	115	156	08.86-07.89	■
2.3 (B 234 F)		Gasolina	RWD	2316	117	159	08.87-07.89	■
2.3 Turbo (B 230 FT)		Gasolina	RWD	2316	121	165	08.89-07.90	■
2.3 Turbo (B 230 GT)		Gasolina	RWD	2316	121	165	08.89-07.90	■
2.3 Turbo (B 230 FT)		Gasolina	RWD	2316	125	170	09.89-08.91	■
2.3 Turbo (B 230 GT)		Gasolina	RWD	2316	125	170	09.89-08.91	■
2.3 Turbo (B 230 ET)		Gasolina	RWD	2316	134	182	08.85-07.88	■
2.3 Turbo (B 230 FT)		Gasolina	RWD	2316	140	190	08.89-07.90	■
2.4 Diesel (D 24)		Diesel	RWD	2383	60	82	08.85-07.88	■
2.4 Turbo-Diesel (D 24 T)		Diesel	RWD	2383	80	109	09.85-07.92	■
2.4 TD Interc. (D 24 TIC)		Diesel	RWD	2383	90	122	08.86-07.88	■
760 (704, 764) 08.81-07.92					Saloon (Executive car-E Segment)			
2.3 (B 230 K)		Gasolina	RWD	2316	84	114	08.84-08.87	■
2.3 Turbo (B 230 FT)		Gasolina	RWD	2316	115	156	09.87-08.90	■
2.3 (B 230 FT)		Gasolina	RWD	2316	121	165	01.88-07.92	■
2.3 (B 23 ET)		Gasolina	RWD	2316	127	173	01.84-03.86	■
2.3 Turbo (B 23 ET)		Gasolina	RWD	2316	127	173	08.82-07.84	■
2.3 (B 230 ET)		Gasolina	RWD	2316	130	176	08.84-08.87	■
2.3 Turbo (B 230 ET)		Gasolina	RWD	2316	134	182	08.84-10.88	■
2.8 (B 28 A)		Gasolina	RWD	2849	95	130	01.82-12.87	■
2.8 (B 280 F)		Gasolina	RWD	2849	105	143	05.86-08.91	■
2.8 (764) (B 280 F)		Gasolina	RWD	2849	108	147	08.86-07.90	■
2.8 (B 28 E)		Gasolina	RWD	2849	115	156	08.81-07.88	■
2.8 (B 280 E)		Gasolina	RWD	2849	115	156	08.81-07.88	■
2.8 (B 280 E)		Gasolina	RWD	2849	125	170	09.87-08.90	■
2.4 D		Diesel	RWD	2383	60	82	01.82-07.92	■
2.4 Turbo Diesel (D 24 T)		Diesel	RWD	2383	80	109	04.87-07.92	■
2.4 Turbo Diesel (D 24 T)	-07/84	Diesel	RWD	2383	82	112	08.82-07.87	■
2.4 TD Interc. (D 24 TIC)		Diesel	RWD	2383	85	115	08.87-07.92	■
2.4 TDiC		Diesel	RWD	2383	90	122	09.87-08.90	■
760 Kombi (704, 765) 01.82-07.92					Estate (Executive car-E Segment)			
2.3 (B 230 K)		Gasolina	RWD	2316	84	114	08.84-08.87	■
2.3 Turbo (B 230 FT)		Gasolina	RWD	2316	115	156	09.87-08.90	■

LISTA DE APLICACIONES - BUYERS GUIDE

2.3 (B 230 FT)		Gasolina	RWD	2316	121	165	09.83-12.90	■	
2.3 Turbo (B 230 ET)		Gasolina	RWD	2316	134	182	08.84-08.90	■	
2.8 (765) (B 28 A)		Gasolina	RWD	2849	95	130	05.86-12.87	■	
2.8 (765) (B 280 F)		Gasolina	RWD	2849	105	143	05.86-08.91	■	
2.8 (B 280 E)		Gasolina	RWD	2849	112	152	09.86-10.88	■	
2.8 (765) (B 28 E)		Gasolina	RWD	2849	115	156	08.86-08.90	■	
2.8 (765) (B 280 E)		Gasolina	RWD	2849	115	156	08.86-08.90	■	
2.8 (B 280 E)		Gasolina	RWD	2849	125	170	08.84-08.90	■	
2.4 D (D 24)		Diesel	RWD	2383	60	82	01.82-07.92	■	
2.4 TD (D 24 T)		Diesel	RWD	2383	80	109	04.83-10.89	■	
2.4 TD Interc. (765) (D 24 TIC)		Diesel	RWD	2383	85	116	08.87-07.92	■	
2.4 TDiC		Diesel	RWD	2383	90	122	09.87-08.90	■	
780 (782) 04.86-11.90							Coupe (Executive car-E Segment)		
2.9 (B 280 F)		Gasolina	RWD	2849	108	147	08.87-07.90	■	
2.9 (B 280 E)		Gasolina	RWD	2849	115	156	08.86-07.87	■	
2.4 D (D 24 TIC)		Diesel	RWD	2383	90	122	04.86-07.90	■	
940 (945) 09.90-10.98							Estate (Executive car-E Segment)		
2.0 (B 200 G)		Gasolina	RWD	1986	89	121	11.94-12.95	■	
2.0 (B 204 FT)		Gasolina	RWD	1986	102	139	10.94-05.97	■	
2.0 Turbo (B 200 FT)		Gasolina	RWD	1986	114	155	04.96-10.98	■	
2.0 GLT (B 200 GT)		Gasolina	RWD	1986	139	189	10.94-05.97	■	
2.3 (B 230 FD)		Gasolina	RWD	2316	85	116	08.94-07.95	■	
2.3 (B 230 FB)		Gasolina	RWD	2316	96	131	08.94-10.98	■	
2.3 ti (B 230 FK)		Gasolina	RWD	2316	99	135	01.95-10.98	■	
2.3		Gasolina	FWD	2316	113	154	10.94-05.97	■	
2.3 Turbo (B 230 FT)		Gasolina	RWD	2316	121	165	08.94-10.98	■	
2.3 Turbo (B 230 FT)		Gasolina	RWD	2316	126	171	08.95-10.98	■	
2.4 TD Interc. (D 24 TIC)		Diesel	RWD	2383	90	122	08.94-10.98	■	
940 (944) 08.90-03.95							Saloon (Executive car-E Segment)		
2.0 (B 200 F)		Gasolina	RWD	1986	82	112	01.92-07.94	■	
2.0 (B 200 E)		Gasolina	RWD	1986	89	121	09.90-09.93	■	
2.0 (B 200 G)		Gasolina	RWD	1986	89	121	09.90-09.93	■	
2.0 (B 200 G)		Gasolina	RWD	1986	89	121	11.94-12.95	■	
2.0 (B 204 FT)		Gasolina	RWD	1986	102	139	09.90-09.93	■	
2.0 (B 204 FT)		Gasolina	RWD	1986	102	139	10.94-05.97	■	
2.0 GL (B 204 E)		Gasolina	RWD	1986	103	140	09.90-04.92	■	
2.0 Turbo (B 200 FT)	09/93-	Gasolina	RWD	1986	114	155	08.90-12.94	■	
2.0 Turbo (B 200 FT)		Gasolina	RWD	1986	114	155	04.96-10.98	■	
2.0 GLT (B 200 GT)		Gasolina	RWD	1986	139	189	10.94-05.97	■	
2.3 (B 230 FD)	-09/93	Gasolina	RWD	2316	85	116	08.92-07.94	■	
2.3 (B 230 FD)		Gasolina	RWD	2316	85	116	08.94-07.95	■	
2.3 (B 230 FB)	-08/93	Gasolina	RWD	2316	96	131	08.90-12.94	■	
2.3 (B 230 G)	-08/93	Gasolina	RWD	2316	96	131	08.90-12.94	■	
2.3 (B 230 FB)		Gasolina	RWD	2316	96	131	08.94-10.98	■	
2.3 (B 230 FK)	-08/93	Gasolina	RWD	2316	99	135	05.91-03.95	■	
2.3 ti (B 230 FK)		Gasolina	RWD	2316	99	135	01.95-10.98	■	
2.3		Gasolina	FWD	2316	113	154	10.94-05.97	■	
2.3 (B 234 F)		Gasolina	RWD	2316	114	156	08.90-07.91	■	
2.3 (B 234 G)		Gasolina	RWD	2316	114	156	08.90-07.91	■	
2.3 (B 230 FT)		Gasolina	RWD	2316	118	160	09.90-09.93	■	

LISTA DE APLICACIONES - BUYERS GUIDE

2.3 Turbo (B 230 FT)	-09/93	Gasolina	RWD	2316	121	165	08.90-07.94	■
2.3 Turbo (B 230 FT)		Gasolina	RWD	2316	121	165	08.94-10.98	■
2.3 Turbo (B 230 FT)		Gasolina	RWD	2316	126	171	01.95-12.98	■
2.3 Turbo (B 230 FT+)		Gasolina	RWD	2316	140	190	08.91-07.93	■
2.4 D (D 24)		Diesel	RWD	2383	60	82	08.90-12.94	■
2.4 Turbo Diesel (D 24 T)		Diesel	RWD	2383	80	109	08.90-12.94	■
2.4 TD Interc. (D 24 TIC)		Diesel	RWD	2383	90	122	08.94-10.98	■
2.4 TD Intercooler (D 24 TIC)		Diesel	RWD	2383	90	122	08.90-12.94	■
940 Kombi (945) 08.90-10.95							Estate (Executive car-E Segment)	
2.0 (B 200 F)	-10/93	Gasolina	RWD	1986	82	112	01.92-07.94	■
2.0 GL (B 204 E)		Gasolina	RWD	1986	103	140	09.90-04.92	■
2.0 Turbo (B 200 FT)	-09/93	Gasolina	RWD	1986	114	155	01.91-07.95	■
2.3 (B 230 FD)	-09/93	Gasolina	RWD	2316	85	116	08.92-07.94	■
2.3 (B 230 FB)		Gasolina	RWD	2316	96	131	08.90-12.94	■
2.3 (B 234 F)		Gasolina	RWD	2316	114	155	08.90-07.91	■
2.3 (B 230 FB)		Gasolina	RWD	2316	118	160	09.90-09.93	■
2.3 Turbo (B 230 FT)	-09/92	Gasolina	RWD	2316	121	165	08.90-07.94	■
2.3 Turbo (B 230 FT+)	-09/92	Gasolina	RWD	2316	140	190	08.91-07.93	■
2.4 D (D 24)	-10/92	Diesel	RWD	2383	60	82	08.90-07.95	■
2.4 Turbo Diesel (D 24 T)	-10/93	Diesel	RWD	2383	80	109	08.90-07.94	■
2.4 TD Intercooler (D 24 TIC)	-10/93	Diesel	RWD	2383	90	122	08.90-08.94	■
2.4 TD		Diesel	RWD	2383	95	130	05.91-03.95	■
960 (964) 08.90-07.94							Saloon (Executive car-E Segment)	
2.0 (B 200 F)		Gasolina	RWD	1986	82	111	09.90-09.93	■
2.0 (B 204 E)		Gasolina	RWD	1986	103	140	09.90-08.93	■
2.0 (B 204 FT)		Gasolina	RWD	1986	140	190	08.90-09.93	■
2.3 Turbo (B 230 FT)		Gasolina	RWD	2316	121	165	09.90-08.93	■
2.8 GL (B 280 F)		Gasolina	RWD	2849	108	147	09.90-05.92	■
2.8 GL		Gasolina	FWD	2849	115	156	09.90-05.92	■
2.9 (B 6304 F)	10/93-	Gasolina	RWD	2922	150	204	08.90-07.94	■
2.9 (B 6304 FS)	10/93-	Gasolina	RWD	2922	150	204	08.90-07.94	■
2.9 (B 6304 GS)	10/93-	Gasolina	RWD	2922	150	204	08.90-07.94	■
2.4 TD Interc. (D 24 TIC)		Diesel	RWD	2383	85	115	09.91-07.94	■
960 Kombi (965) 08.90-07.94							Estate (Executive car-E Segment)	
2.0 (B 204 E)		Gasolina	RWD	1986	103	140	09.90-08.93	■
2.0 (B 204 FT)		Gasolina	RWD	1986	140	190	08.90-09.93	■
2.3 Turbo (B 230 FT)		Gasolina	RWD	2316	121	165	09.90-08.93	■
2.8 (B 280 F)		Gasolina	RWD	2849	108	147	09.90-05.92	■
2.8		Gasolina	FWD	2849	115	156	09.90-05.92	■
2.9 (B 6304 F)	-08/93	Gasolina	RWD	2922	150	204	08.90-07.94	■
2.9 (B 6304 S)	-08/93	Gasolina	RWD	2922	150	204	08.90-07.94	■
2.4 TD Interc. (D 24 TIC)		Diesel	RWD	2383	85	115	09.91-07.94	■
2.4 TDi (D 24 TIC)		Diesel	RWD	2383	90	122	09.90-08.93	■