

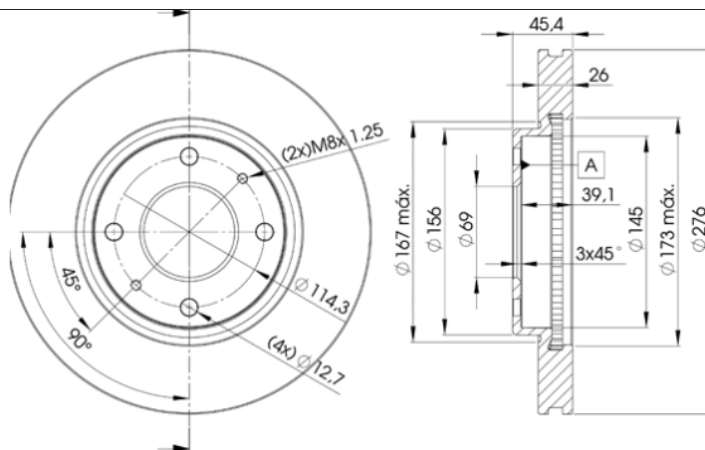
LISTA DE APLICACIONES - BUYERS GUIDE

78BD6070-2



Weight: 12.084

O.E.M.	MAKE
MB 895 098	MITSUBISHI
MR 389 725	MITSUBISHI
MR 475 331	MITSUBISHI
MR 510 741	MITSUBISHI
MR 510 742	MITSUBISHI



78BD6070-2

E1 90R-02C0452/0086



Ø276x26x45.4

MAKE
MITSUBISHI



Trac.	CC	Kw	CV
-------	----	----	----



MITSUBISHI

**GALANT VIII / ASPIRE (EA\_) 09.96-10.04**

**Saloon (Executive car-E Segment)**

Model	Trac.	CC	Kw	CV	Period	Availability
2.4 GDI (EA3A) (4G64 (GDI))	FWD	2351	106	144	09.00-10.04	■
2.4 GDI (EA3A) (4G64 (GDI))	FWD	2351	110	150	02.99-09.00	■
2.5 Type S (EC5A) (6A13)	FWD	2498	151	205	10.99-10.04	■
2.5 V6 24V (EC5A) (6A13TT)	4WD	2498	206	280	09.96-10.02	■

**GALANT VIII / LEGNUM (EA\_, EC\_) 09.96-10.03**

**Estate (Executive car-E Segment)**

Model	Trac.	CC	Kw	CV	Period	Availability
2.0 (EA2W) (4G63 (SOHC 16V))	FWD	1997	98	133	09.00-10.03	■
2.4 GDI (EA3W) (4G64 (GDI))	FWD	2351	106	144	09.00-10.03	■
2.5 V6 24V (EA5W) (6A13)	FWD	2498	118	160	09.00-10.03	■
2.5 V6 24V (EC5W) (6A13TT)	4WD	2498	206	280	09.96-12.02	■

**LANCER IV (CS\_W, CT\_W) 09.03-12.08**

**Estate (Compact car-C Segment)**

1.6 (4G18)	FWD	1584	72	98	09.03-10.08	■
------------	-----	------	----	----	-------------	---

**LANCER IV / CEDIA (CS\_A, CT\_A) 01.00-12.13**

**Saloon (Compact car-C Segment)**

1.3 (4G13 (16V))	FWD	1299	60	82	09.03-12.13	■
1.6 (CS3A) (4G18)	FWD	1584	72	98	09.03-12.13	■

**LANCER CARGO IV (CS\_W, CS\_V) 01.03-06.08**

**Estate Van (Compact car-C Segment)**

1.6 (CS3W) (4G18)	FWD	1584	72	98	09.03-06.08	■
-------------------	-----	------	----	----	-------------	---