

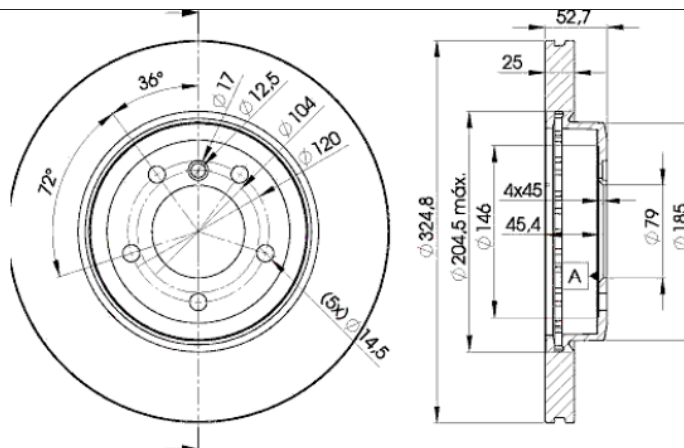
LISTA DE APLICACIONES - BUYERS GUIDE

78BD6071-2



Weight: 17.476

O.E.M.	MAKE
34 10 1 166 071	BMW
34 11 6 769 305	BMW



78BD6071-2

E1 90R-02C0452/0084



Ø325x25x52.5

MAKE
BMW



	Trac.	CC	Kw	CV			Front / Rear
--	-------	----	----	----	--	--	--------------

BMW

						Convertible (Compact executive car-D Segment)			
3 Serie IV (E46) 04.00-12.07									
330 Ci (M54 B30 (306S3))		Gasolina	RWD	2979	170	231	06.00-08.06	■	
330 Cd (M57 D30 (306D2))		Diesel	RWD	2993	150	204	08.05-12.07	■	
3 Serie IV (E46) 12.98-07.06						Coupe (Compact executive car-D Segment)			
330 Ci (M54 B30 (306S3))		Gasolina	RWD	2979	170	231	06.00-05.06	■	
330 xi (M54 B30 (306S3))		Gasolina	4WD	2979	170	231	06.00-07.06	■	
330 Cd (M57 D30 (306D2))		Diesel	RWD	2993	150	204	03.03-07.06	■	
3 Serie IV (E46) 12.97-05.05						Saloon (Compact executive car-D Segment)			
330i (M54 B30 (306S3))		Gasolina	RWD	2979	168	228	01.01-04.05	■	
330i (M54 B30 (306S3))		Gasolina	RWD	2979	170	231	06.00-02.05	■	
330 xi (M54 B30 (306S3))		Gasolina	4WD	2979	170	231	06.00-02.05	■	
330 d (M57 D30 (306D1))		Diesel	RWD	2926	135	184	10.99-02.05	■	
330 xd (M57 D30 (306D1))		Diesel	4WD	2926	135	184	01.00-02.03	■	
330 d (M57 D30 (306D2))		Diesel	RWD	2993	150	204	03.03-02.05	■	
330 xd (M57 D30 (306D2))		Diesel	4WD	2993	150	204	09.02-12.04	■	
3 Serie IV Touring (E46) 06.99-07.05						Estate (Compact executive car-D Segment)			
330i (M54 B30 (306S3))		Gasolina	RWD	2979	170	231	06.00-02.05	■	
330 xi (M54 B30 (306S3))		Gasolina	4WD	2979	170	231	06.00-02.05	■	
330 d (M57 D30 (306D1))		Diesel	RWD	2926	135	184	10.99-02.05	■	
330 xd (M57 D30 (306D1))		Diesel	4WD	2926	135	184	01.00-03.03	■	
330 d (M57 D30 (306D2))		Diesel	RWD	2993	150	204	03.03-02.05	■	
330 xd (M57 D30 (306D2))		Diesel	4WD	2993	150	204	08.02-05.05	■	

LISTA DE APLICACIONES - BUYERS GUIDE

Z4 (E86) 03.06-12.09				Coupe (Sports car-S Segment)				
3.0 Si (N52 B30 A)	Gasolina	RWD	2996	195	265	04.06-08.08	■	