

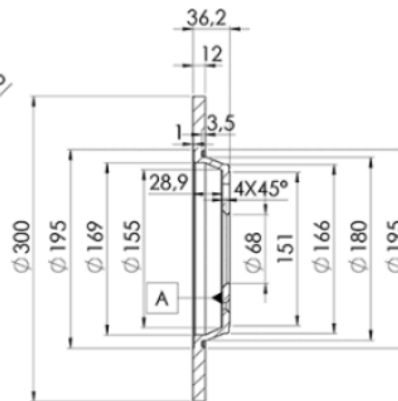
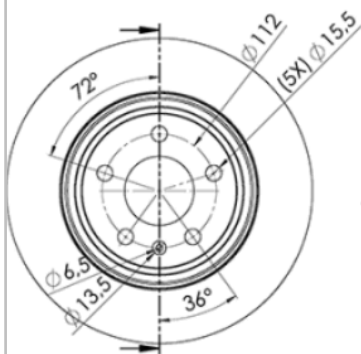
LISTA DE APLICACIONES - BUYERS GUIDE

78BD6075-2



Weight: 10.940

O.E.M.	MAKE
80A 615 601 B	AUDI
8K0 615 601 B	AUDI
8W0 615 601 C	AUDI
8W0 615 601 H	AUDI



78BD6075-2

E1 90R-02C0415/0004



Ø300x12x36.4

MAKE
AUDI
CHEVROLET
NISSAN



Trac.	CC	Kw	CV
-------	----	----	----



Front / Rear

AUDI

A4 IV Allroad B8 (8KH) 04.09-06.17								Estate (Compact executive car-D Segment)	
2.0 TFSI quattro (CDNC)	PR 1KW	Gasolina	4WD	1984	155	211	04.09-05.16	■	
2.0 TFSI quattro (CPMA)	PR 1KW	Gasolina	4WD	1984	155	211	04.09-05.16	■	
2.0 TFSI quattro (CPMB)	PR 1KW, PR GP0, PR GP1, PR GP2	Gasolina	4WD	1984	162	220	05.13-05.16	■	
2.0 TFSI quattro (CNCD)	PR 1KW, PR GP0, PR GP1, PR GP2	Gasolina	4WD	1984	165	224	05.13-05.16	■	
2.0 TDI quattro (CAGB)	elec.brake detention, PR 1KW	Diesel	4WD	1968	100	136	09.09-05.16	■	
2.0 TDI quattro (CJCB)	elec.brake detention, PR 1KW	Diesel	4WD	1968	100	136	09.09-05.16	■	
2.0 TDI quattro (CSUB)	elec.brake detention, PR 1KW	Diesel	4WD	1968	100	136	09.09-05.16	■	
2.0 TDI quattro (CAGA)	elec.brake detention, PR 1KW	Diesel	4WD	1968	105	143	09.09-05.16	■	
2.0 TDI quattro (CJCA)	elec.brake detention, PR 1KW	Diesel	4WD	1968	105	143	09.09-05.16	■	
2.0 TDI quattro (CJCD)	PR 1KW, PR GP0, PR GP1, PR GP2	Diesel	4WD	1968	110	150	05.13-05.16	■	
2.0 TDI quattro (CSUA)	PR 1KW, PR GP0, PR GP1, PR GP2	Diesel	4WD	1968	110	150	05.13-05.16	■	
2.0 TDI quattro (CAHB)	PR 1KW	Diesel	4WD	1968	120	163	04.09-05.16	■	
2.0 TDI quattro (CGLD)	PR 1KW	Diesel	4WD	1968	120	163	04.09-05.16	■	
2.0 TDI quattro (CNHC)	PR 1KW	Diesel	4WD	1968	120	163	04.09-05.16	■	
2.0 TDI quattro (CAHA)	PR 1KW	Diesel	4WD	1968	125	170	04.09-05.16	■	
2.0 TDI quattro (CGLC)	PR 1KW, PR GP0, PR GP1, PR GP2	Diesel	4WD	1968	130	177	11.11-05.16	■	
2.0 TDI quattro (CNHA)	PR 1KW, PR GP0, PR GP1, PR GP2	Diesel	4WD	1968	140	190	09.13-05.16	■	
3.0 TDI quattro (CCWA)	PR 1KW	Diesel	4WD	2967	176	240	04.09-01.12	■	
3.0 TDI quattro (CDUC)	PR 1KW, PR GP0, PR GP1, PR GP2	Diesel	4WD	2967	180	245	01.12-05.16	■	

LISTA DE APLICACIONES - BUYERS GUIDE

3.0 TDI quattro (CKVB)	PR 1KW, PR GP0, PR GP1, PR GP2	Diesel	4WD	2967	180	245	01.12-05.16	■
3.0 TDI quattro (CKVC)	PR 1KW, PR GP0, PR GP1, PR GP2	Diesel	4WD	2967	180	245	01.12-05.16	■
A4 IV B8 (8K2) 08.07-06.17					Saloon (Compact executive car-D Segment)			
1.8 T	PR 1KW	Gasolina	FWD	1781	110	150	07.08-05.10	■
1.8 TFSI (CABA)	PR 1KW	Gasolina	FWD	1798	88	120	01.08-12.15	■
1.8 TFSI (CDHA)	PR 1KW	Gasolina	FWD	1798	88	120	01.08-12.15	■
1.8 TFSI (CABB)		Gasolina	FWD	1798	118	160	11.07-03.12	■
1.8 TFSI (CDHB)		Gasolina	FWD	1798	118	160	11.07-03.12	■
1.8 TFSI quattro (CDHB)	PR 1KW	Gasolina	4WD	1798	118	160	09.08-03.12	■
1.8 TFSI (CJEB)	PR 1KW, PR 2EH	Gasolina	FWD	1798	125	170	11.11-12.15	■
1.8 TFSI quattro (CJEB)	PR 1KW, PR 2EH, 11/12-	Gasolina	4WD	1798	125	170	11.11-12.15	■
2.0 TFSI (CAEA)	PR 1KW	Gasolina	FWD	1984	132	180	06.08-12.15	■
2.0 TFSI (CDNB)	PR 1KW	Gasolina	FWD	1984	132	180	06.08-12.15	■
2.0 TFSI (CFKA)	PR 1KW	Gasolina	FWD	1984	132	180	06.08-12.15	■
2.0 TFSI quattro (CFKA)		Gasolina	4WD	1984	132	180	11.09-03.12	■
2.0 TFSI (CAEB)	PR 1KW	Gasolina	FWD	1984	155	211	06.08-05.13	■
2.0 TFSI (CDNC)	PR 1KW	Gasolina	FWD	1984	155	211	06.08-05.13	■
2.0 TFSI quattro (CAEB)	PR 1KW	Gasolina	4WD	1984	155	211	06.08-12.15	■
2.0 TFSI quattro (CDNC)	PR 1KW	Gasolina	4WD	1984	155	211	06.08-12.15	■
2.0 TFSI quattro (CPMA)	PR 1KW	Gasolina	4WD	1984	155	211	06.08-12.15	■
2.0 TFSI (CAED)	PR 1KW, PR 2EH	Gasolina	FWD	1984	162	220	05.13-12.15	■
2.0 TFSI quattro (CAED)	PR 1KW, PR 2EH	Gasolina	4WD	1984	162	220	05.13-12.15	■
2.0 TFSI quattro (CPMB)	PR 1KW, PR 2EH	Gasolina	4WD	1984	162	220	05.13-12.15	■
2.0 TFSI (CNCD)	PR 1KW, PR 2EH	Gasolina	FWD	1984	165	224	05.13-12.15	■
2.0 TFSI quattro (CNCD)	PR 1KW, PR 2EH	Gasolina	4WD	1984	165	224	05.13-12.15	■
3.0 TFSI quattro (CMUA)	PR 1KW, PR 2EH	Gasolina	4WD	2995	200	272	02.12-12.15	■
3.0 TFSI quattro (CRED)	PR 1KW, PR 2EH	Gasolina	4WD	2995	200	272	02.12-12.15	■
3.2 FSI (CALA)	PR 1KW	Gasolina	FWD	3197	195	265	09.08-03.12	■
3.2 FSI quattro (CALA)	PR 1KW	Gasolina	4WD	3197	195	265	11.07-03.12	■
2.0 TFSI flexible fuel (CFKA)	PR 1KW	Gasol./Et anol	FWD	1984	132	180	11.09-12.15	■
2.0 TFSI flexible fuel quattro (CFKA)	elec.brake detention, PR 1KW	Gasol./Et anol	4WD	1984	132	180	11.09-12.15	■
2.0 TDI (CAGC)	PR 1KW	Diesel	FWD	1968	88	120	06.08-12.15	■
2.0 TDI (CJCC)	PR 1KW	Diesel	FWD	1968	88	120	06.08-12.15	■
2.0 TDI (CAGB)	elec.brake detention, PR 1KW	Diesel	FWD	1968	100	136	11.07-12.15	■
2.0 TDI (CJCB)	elec.brake detention, PR 1KW	Diesel	FWD	1968	100	136	11.07-12.15	■
2.0 TDI (CSUB)	elec.brake detention, PR 1KW	Diesel	FWD	1968	100	136	11.07-12.15	■
2.0 TDI (CAGA)	PR 1KW	Diesel	FWD	1968	105	143	11.07-12.15	■
2.0 TDI (CJCA)	PR 1KW	Diesel	FWD	1968	105	143	11.07-12.15	■
2.0 TDI (CMEA)	PR 1KW	Diesel	FWD	1968	105	143	11.07-12.15	■
2.0 TDI (CMFA)	PR 1KW	Diesel	FWD	1968	105	143	11.07-12.15	■
2.0 TDI quattro (CAGA)	PR 1KW	Diesel	4WD	1968	105	143	11.08-12.15	■
2.0 TDI quattro (CJCA)	PR 1KW	Diesel	4WD	1968	105	143	11.08-12.15	■
2.0 TDI (CJCD)	PR 1KW, PR 2EH	Diesel	FWD	1968	110	150	05.13-12.15	■
2.0 TDI (CMFB)	PR 1KW, PR 2EH	Diesel	FWD	1968	110	150	05.13-12.15	■
2.0 TDI (CSUA)	PR 1KW, PR 2EH	Diesel	FWD	1968	110	150	05.13-12.15	■
2.0 TDI quattro (CJCD)		Diesel	4WD	1968	110	150	05.13-12.15	■
2.0 TDI quattro (CSUA)		Diesel	4WD	1968	110	150	05.13-12.15	■
2.0 TDI (CAHB)	elec.brake detention, PR 1KW	Diesel	FWD	1968	120	163	08.08-12.15	■
2.0 TDI (CGLD)	elec.brake detention, PR 1KW	Diesel	FWD	1968	120	163	08.08-12.15	■

LISTA DE APLICACIONES - BUYERS GUIDE

2.0 TDI (CNHC)	elec.brake detention, PR 1KW	Diesel	FWD	1968	120	163	08.08-12.15	■	
2.0 TDI (CAHA)	PR 1KW	Diesel	FWD	1968	125	170	01.08-03.12	■	
2.0 TDI quattro (CAHA)	PR 1KW	Diesel	4WD	1968	125	170	01.08-03.12	■	
2.0 TDI (CGLC)	PR 1KW, PR 2EH	Diesel	FWD	1968	130	177	11.11-12.15	■	
2.0 TDI (CMGB)	PR 1KW, PR 2EH	Diesel	FWD	1968	130	177	11.11-12.15	■	
2.0 TDI quattro (CGLC)	PR 1KW, PR 2EH	Diesel	4WD	1968	130	177	11.11-12.15	■	
2.0 TDI (CNHA)	PR 1KW, PR 2EH	Diesel	FWD	1968	140	190	09.13-12.15	■	
2.0 TDI quattro (CNHA)	PR 1KW, PR 2EH	Diesel	4WD	1968	140	190	09.13-12.15	■	
2.7 TDI (CAMB)	elec.brake detention, PR 1KW	Diesel	FWD	2698	120	163	11.07-03.12	■	
2.7 TDI (CGKB)	elec.brake detention, PR 1KW	Diesel	FWD	2698	120	163	11.07-03.12	■	
2.7 TDI (CAMA)	PR 1KW	Diesel	FWD	2698	140	190	11.07-03.12	■	
2.7 TDI (CGKA)	PR 1KW	Diesel	FWD	2698	140	190	11.07-03.12	■	
3.0 TDI (CLAB)	PR 1KW, PR 2EH	Diesel	FWD	2967	150	204	11.11-12.15	■	
3.0 TDI quattro (CCWB)	elec.brake detention, PR 1KW	Diesel	4WD	2967	155	211	06.08-05.10	■	
3.0 TDI	elec.brake detention, PR 1KW	Diesel	RWD	2967	171	233	04.09-	■	
3.0 TDI quattro (CAPA)	PR 1KW	Diesel	4WD	2967	176	240	11.07-03.12	■	
3.0 TDI quattro (CCLA)	PR 1KW	Diesel	4WD	2967	176	240	11.07-03.12	■	
3.0 TDI quattro (CCWA)	PR 1KW	Diesel	4WD	2967	176	240	11.07-03.12	■	
3.0 TDI quattro (CDUC)	PR 1KW, PR 2EH	Diesel	4WD	2967	180	245	11.11-12.15	■	
3.0 TDI quattro (CKVB)	PR 1KW, PR 2EH	Diesel	4WD	2967	180	245	11.11-12.15	■	
3.0 TDI quattro (CKVC)	PR 1KW, PR 2EH	Diesel	4WD	2967	180	245	11.11-12.15	■	
A4 IV B8 Avant (8K5) 11.07-06.17							Estate (Compact executive car-D Segment)		
1.8 TFSI (CDHA)	PR 1KW	Gasolina	FWD	1798	88	120	04.08-12.15	■	
1.8 TFSI (CABB)	PR 1KW	Gasolina	FWD	1798	118	160	11.07-03.12	■	
1.8 TFSI (CDHB)	PR 1KW	Gasolina	FWD	1798	118	160	11.07-03.12	■	
1.8 TFSI quattro (CDHB)	PR 1KW	Gasolina	4WD	1798	118	160	09.08-03.12	■	
1.8 TFSI (CJEB)	PR 1KW, PR 2EH	Gasolina	FWD	1798	125	170	11.11-12.15	■	
1.8 TFSI quattro (CJEB)	PR 1KW, PR 2EH	Gasolina	4WD	1798	125	170	11.11-12.15	■	
2.0 TFSI (CDNB)	PR 1KW	Gasolina	FWD	1984	132	180	06.08-12.15	■	
2.0 TFSI (CFKA)	PR 1KW	Gasolina	FWD	1984	132	180	06.08-12.15	■	
2.0 TFSI (CAEB)	PR 1KW	Gasolina	FWD	1984	155	211	06.08-05.13	■	
2.0 TFSI (CDNC)	PR 1KW	Gasolina	FWD	1984	155	211	06.08-05.13	■	
2.0 TFSI quattro (CAEB)	PR 1KW	Gasolina	4WD	1984	155	211	06.08-12.15	■	
2.0 TFSI quattro (CDNC)	PR 1KW	Gasolina	4WD	1984	155	211	06.08-12.15	■	
2.0 TFSI (CNCD)	PR 1KW, PR 2EH	Gasolina	FWD	1984	165	224	05.13-12.15	■	
2.0 TFSI quattro (CNCD)	PR 1KW, PR 2EH	Gasolina	4WD	1984	165	224	05.13-12.15	■	
3.0 TFSI quattro (CMUA)	PR 1KW, PR 2EH	Gasolina	4WD	2995	200	272	02.12-12.15	■	
3.0 TFSI quattro (CRED)	PR 1KW, PR 2EH	Gasolina	4WD	2995	200	272	02.12-12.15	■	
3.2 FSI (CALA)	PR 1KW	Gasolina	FWD	3197	195	265	09.08-03.12	■	
3.2 FSI quattro (CALA)	PR 1KW	Gasolina	4WD	3197	195	265	04.08-03.12	■	
2.0 TFSI flexible fuel (CFKA)	elec.brake detention, PR 1KW	Gasol./Etanol	FWD	1984	132	180	11.09-12.15	■	
2.0 TFSI flexible fuel quattro (CFKA)	elec.brake detention, PR 1KW	Gasol./Etanol	4WD	1984	132	180	11.09-12.15	■	
2.0 TDI (CAGC)	PR 1KW	Diesel	FWD	1968	88	120	06.08-12.15	■	
2.0 TDI (CJCC)	PR 1KW	Diesel	FWD	1968	88	120	06.08-12.15	■	
2.0 TDI (CAGB)	elec.brake detention, PR 1KW	Diesel	FWD	1968	100	136	04.08-12.15	■	
2.0 TDI (CJCB)	elec.brake detention, PR 1KW	Diesel	FWD	1968	100	136	04.08-12.15	■	
2.0 TDI (CSUB)	elec.brake detention, PR 1KW	Diesel	FWD	1968	100	136	04.08-12.15	■	
2.0 TDI 16V	PR 1KW	Diesel	FWD	1968	103	140	07.08-	■	
2.0 TDI (CAGA)	PR 1KW	Diesel	FWD	1968	105	143	04.08-12.15	■	
2.0 TDI (CJCA)	PR 1KW	Diesel	FWD	1968	105	143	04.08-12.15	■	

LISTA DE APLICACIONES - BUYERS GUIDE

2.0 TDI (CMEA)	PR 1KW	Diesel	FWD	1968	105	143	04.08-12.15	■
2.0 TDI (CMFA)	PR 1KW	Diesel	FWD	1968	105	143	04.08-12.15	■
2.0 TDI quattro (CAGA)	PR 1KW	Diesel	4WD	1968	105	143	04.08-12.15	■
2.0 TDI quattro (CJCA)	PR 1KW	Diesel	4WD	1968	105	143	04.08-12.15	■
2.0 TDI (CJCD)	PR 1KW, PR 2EH	Diesel	FWD	1968	110	150	05.13-12.15	■
2.0 TDI (CMFB)	PR 1KW, PR 2EH	Diesel	FWD	1968	110	150	05.13-12.15	■
2.0 TDI (CSUA)	PR 1KW, PR 2EH	Diesel	FWD	1968	110	150	05.13-12.15	■
2.0 TDI quattro (CJCD)	PR 1KW, PR 2EH	Diesel	4WD	1968	110	150	05.13-12.15	■
2.0 TDI quattro (CSUA)	PR 1KW, PR 2EH	Diesel	4WD	1968	110	150	05.13-12.15	■
2.0 TDI (CAHB)	elec.brake detention, PR 1KW	Diesel	FWD	1968	120	163	08.08-12.15	■
2.0 TDI (CGLD)	elec.brake detention, PR 1KW	Diesel	FWD	1968	120	163	08.08-12.15	■
2.0 TDI (CNHC)	elec.brake detention, PR 1KW	Diesel	FWD	1968	120	163	08.08-12.15	■
2.0 TDI (CAHA)	PR 1KW	Diesel	FWD	1968	125	170	04.08-03.12	■
2.0 TDI quattro (CAHA)	PR 1KW	Diesel	4WD	1968	125	170	08.08-03.12	■
2.0 TDI (CGLC)	PR 1KW, PR 2EH	Diesel	FWD	1968	130	177	11.11-12.15	■
2.0 TDI quattro (CGLC)	PR 1KW, PR 2EH	Diesel	4WD	1968	130	177	11.11-12.15	■
2.0 TDI (CNHA)	PR 1KW, PR 2EH	Diesel	FWD	1968	140	190	09.13-12.15	■
2.0 TDI quattro (CNHA)	PR 1KW, PR 2EH	Diesel	4WD	1968	140	190	09.13-12.15	■
2.7 TDI (CAMB)	elec.brake detention, PR 1KW	Diesel	FWD	2698	120	163	04.08-03.12	■
2.7 TDI (CGKB)	elec.brake detention, PR 1KW	Diesel	FWD	2698	120	163	04.08-03.12	■
2.7 TDI (CAMA)	PR 1KW	Diesel	FWD	2698	140	190	04.08-03.12	■
2.7 TDI (CGKA)	PR 1KW	Diesel	FWD	2698	140	190	04.08-03.12	■
3.0 TDI (CLAB)	PR 1KW, PR 2EH	Diesel	FWD	2967	150	204	11.11-12.15	■
3.0 TDI quattro (CCWB)	elec.brake detention, PR 1KW	Diesel	4WD	2967	155	211	06.08-05.10	■
3.0 TDI	elec.brake detention, PR 1KW	Diesel	RWD	2967	171	233	04.09-	■
3.0 TDI quattro (CAPA)	PR 1KW	Diesel	4WD	2967	176	240	04.08-03.12	■
3.0 TDI quattro (CCLA)	PR 1KW	Diesel	4WD	2967	176	240	04.08-03.12	■
3.0 TDI quattro (CCWA)	PR 1KW	Diesel	4WD	2967	176	240	04.08-03.12	■
3.0 TDI quattro (CDUC)	PR 1KW, PR 2EH	Diesel	4WD	2967	180	245	11.11-12.15	■
3.0 TDI quattro (CKVB)	PR 1KW, PR 2EH	Diesel	4WD	2967	180	245	11.11-12.15	■
3.0 TDI quattro (CKVC)	PR 1KW, PR 2EH	Diesel	4WD	2967	180	245	11.11-12.15	■
A4 V Allroad B9 (8WH, 8WJ) 01.16-							Estate (Compact executive car-D Segment)	
45 TFSI Mild hybrid quattro (DKNA)		Gasol./el éc.	4WD	1984	180	245	07.18-	■
2.0 TFSI Mild Hybrid quattro (DDWA)		Gasol./el éc.	4WD	1984	185	252	11.18-10.19	■
45 TFSI Mild hybrid quattro (DMTA)		Gasol./el éc.	4WD	1984	195	265	08.20-	■
40 TDI Mild Hybrid quattro (DTPA)		Diesel/el éc.	4WD	1968	150	204	09.20-	■
50 TDI Mild Hybrid quattro		Diesel/el éc.	4WD	2967	210	286	08.20-	■
2.0 TDI quattro (DEUB)		Diesel	4WD	1968	100	136	11.16-07.18	■
2.0 TDI quattro (DEUA)		Diesel	4WD	1968	110	150	11.16-10.19	■
40 TDI quattro (DETA)		Diesel	4WD	1968	140	190	01.20-	■
45 TDI quattro (DCPE)		Diesel	4WD	2967	170	231	07.18-	■
3.0 TDI quattro (DCPC)		Diesel	4WD	2967	210	286	07.18-10.19	■
50 TDI quattro (DCPC)		Diesel	4WD	2967	210	286	11.19-	■
A4 V B9 (8W2, 8WC) 05.15-							Saloon (Compact executive car-D Segment)	
S4 TFSi quattro (CWGD)		Gasolina	4WD	2995	260	354	05.16-	■
35 TFSI Mild Hybrid (DLVB)		Gasol./el éc.	FWD	1984	110	150	12.18-	■
40 TFSI Mild Hybrid (DEMA)		Gasol./el éc.	FWD	1984	140	190	05.17-	■

LISTA DE APLICACIONES - BUYERS GUIDE

40 TFSI Mild Hybrid (DKYA)		Gasol./el éc.	FWD	1984	140	190	05.17-	■	
40 TFSI Mild Hybrid (DLVA)		Gasol./el éc.	FWD	1984	140	190	05.17-	■	
40 TFSI Mild Hybrid		Gasol./el éc.	FWD	1984	150	204	06.20-	■	
40 TFSI Mild Hybrid quattro (DMSA)		Gasol./el éc.	4WD	1984	150	204	06.20-	■	
45 TFSI Mild Hybrid (DKNA)		Gasol./el éc.	FWD	1984	180	245	07.18-11.19	■	
45 TFSI Mild hybrid quattro (DKNA)		Gasol./el éc.	4WD	1984	180	245	07.18-11.19	■	
2.0 TFSI Mild Hybrid (DDWA)		Gasol./el éc.	FWD	1984	185	252	05.17-11.19	■	
2.0 TFSI Mild Hybrid quattro (DDWA)		Gasol./el éc.	4WD	1984	185	252	05.17-11.19	■	
45 TFSI Mild hybrid quattro (DMTA)		Gasol./el éc.	4WD	1984	195	265	08.20-	■	
30 TDI Mild Hybrid (DEZB)		Diesel/el éc.	FWD	1968	100	136	07.19-	■	
35 TDI Mild Hybrid (DEZE)		Diesel/el éc.	FWD	1968	120	163	03.19-	■	
40 TDI Mild Hybrid		Diesel/el éc.	FWD	1968	150	204	09.20-	■	
40 TDI Mild Hybrid quattro (DTPA)		Diesel/el éc.	4WD	1968	150	204	05.20-	■	
50 TDI Mild Hybrid quattro		Diesel/el éc.	4WD	2967	210	286	08.20-	■	
S4 TDI Mild Hybrid quattro		Diesel/el éc.	4WD	2967	251	341	01.21-	■	
S4 TDI Mild Hybrid quattro (DEWB)		Diesel/el éc.	4WD	2967	255	347	05.19-	■	
45 TDI quattro (DCPE)		Diesel	4WD	2967	170	231	07.18-	■	
50 TDI quattro (DCPC)		Diesel	4WD	2967	210	286	07.18-	■	
A4 V B9 Avant (8W5, 8WD) 08.15-							Estate (Compact executive car-D Segment)		
S4 TFSi quattro (CWGD)		Gasolina	4WD	2995	260	354	05.16-	■	
2.0 TFSI g-tron (CVLA)		Gasol./G as (CNG)	FWD	1984	125	170	11.16-10.19	■	
40 TFSI g-tron (CVLA)		Gasol./G as (CNG)	FWD	1984	125	170	11.16-	■	
35 TFSI Mild Hybrid (DLVB)		Gasol./el éc.	FWD	1984	110	150	12.18-	■	
35 TFSI Mild Hybrid (DMSB)		Gasol./el éc.	FWD	1984	110	150	12.18-	■	
40 TFSI Mild Hybrid (DEMA)		Gasol./el éc.	FWD	1984	140	190	05.17-	■	
40 TFSI Mild Hybrid (DKYA)		Gasol./el éc.	FWD	1984	140	190	05.17-	■	
40 TFSI Mild Hybrid (DLVA)		Gasol./el éc.	FWD	1984	140	190	05.17-	■	
40 TFSI Mild Hybrid (DMSA)		Gasol./el éc.	FWD	1984	150	204	06.20-	■	
40 TFSI Mild Hybrid quattro (DMSA)		Gasol./el éc.	4WD	1984	150	204	06.20-	■	
45 TFSI Mild Hybrid (DKNA)		Gasol./el éc.	FWD	1984	180	245	07.18-10.19	■	
45 TFSI Mild hybrid quattro (DKNA)		Gasol./el éc.	4WD	1984	180	245	07.18-10.19	■	
2.0 TFSI Mild Hybrid (DDWA)		Gasol./el éc.	FWD	1984	185	252	05.17-10.19	■	
2.0 TFSI Mild Hybrid quattro (DDWA)		Gasol./el éc.	4WD	1984	185	252	05.17-06.18	■	
45 TFSI Mild hybrid quattro (DMTA)		Gasol./el éc.	4WD	1984	195	265	08.20-	■	
30 TDI Mild Hybrid (DEZB)		Diesel/el éc.	FWD	1968	100	136	07.19-	■	

LISTA DE APLICACIONES - BUYERS GUIDE

35 TDI Mild Hybrid (DEZE)		Diesel/el éc.	FWD	1968	120	163	07.19-	■
40 TDI Mild Hybrid		Diesel/el éc.	FWD	1968	150	204	09.20-	■
40 TDI Mild Hybrid quattro (DTPA)		Diesel/el éc.	4WD	1968	150	204	05.20-	■
50 TDI Mild Hybrid quattro		Diesel/el éc.	4WD	2967	210	286	08.20-	■
S4 TDI Mild Hybrid quattro		Diesel/el éc.	4WD	2967	251	341	01.21-	■
S4 TDI Mild Hybrid quattro (DEWB)		Diesel/el éc.	4WD	2967	255	347	05.19-	■
30 TDI (DEUC)		Diesel	FWD	1968	90	122	10.18-10.20	■
35 TDI (DEUA)		Diesel	FWD	1968	110	150	10.18-10.19	■
40 TDI (DESA)		Diesel	FWD	1968	140	190	10.18-08.20	■
40 TDI (DETA)		Diesel	FWD	1968	140	190	10.18-08.20	■
40 TDI quattro (DETA)		Diesel	4WD	1968	140	190	10.18-09.20	■
45 TDI quattro (DCPE)		Diesel	4WD	2967	170	231	07.18-	■
50 TDI quattro (DCPC)		Diesel	4WD	2967	210	286	07.18-	■
A4 III B7 (8EC) 11.04-01.09					Saloon (Compact executive car-D Segment)			
2.0 TDI (BVA)	PR 1KW, elec.brake detention	Diesel	FWD	1968	120	163	06.06-06.08	■
A5 (8F7) 02.09-10.17					Convertible (Compact executive car-D Segment)			
1.8 TFSI (CDHB)	elec.brake detention, PR 1KW, PR 1EH	Gasolina	FWD	1798	118	160	09.09-03.12	■
1.8 TFSI (CJEB)	PR 1KW, PR 2EH	Gasolina	FWD	1798	125	170	09.11-03.16	■
1.8 TFSI (CJEE)	PR 1KW, PR 2EH	Gasolina	FWD	1798	130	177	05.15-01.17	■
2.0 TFSI (CAEA)	PR 1KW	Gasolina	FWD	1984	132	180	03.09-03.12	■
2.0 TFSI (CDNB)	PR 1KW	Gasolina	FWD	1984	132	180	03.09-03.12	■
2.0 TFSI (CAEB)	PR 1KW	Gasolina	FWD	1984	155	211	03.09-06.14	■
2.0 TFSI (CDNC)	PR 1KW	Gasolina	FWD	1984	155	211	03.09-06.14	■
2.0 TFSI quattro (CAEB)	PR 1KW	Gasolina	4WD	1984	155	211	03.09-01.17	■
2.0 TFSI quattro (CDNC)	PR 1KW	Gasolina	4WD	1984	155	211	03.09-01.17	■
2.0 TFSI quattro (CPMA)	PR 1KW	Gasolina	4WD	1984	155	211	03.09-01.17	■
2.0 TFSI (CAED)	PR 1KW, PR 2EH	Gasolina	FWD	1984	162	220	05.13-12.14	■
2.0 TFSI quattro (CPMB)	PR 1KW, PR 2EH	Gasolina	4WD	1984	162	220	03.12-01.17	■
2.0 TFSI (CNCD)	PR 1KW, PR 2EH	Gasolina	FWD	1984	165	224	05.13-05.16	■
2.0 TFSI quattro (CNCD)	PR 1KW, PR 2EH	Gasolina	4WD	1984	165	224	05.13-05.16	■
3.0 TFSI quattro (CMUA)	PR 1KW, PR 2EH	Gasolina	4WD	2995	200	272	11.11-01.17	■
3.0 TFSI quattro (CRED)	PR 1KW, PR 2EH	Gasolina	4WD	2995	200	272	11.11-01.17	■
3.2 FSI (CALA)	PR 1KW	Gasolina	FWD	3197	195	265	03.09-03.12	■
3.2 FSI quattro (CALA)	PR 1KW	Gasolina	4WD	3197	195	265	03.09-03.12	■
2.0 TDI (CJCA)		Diesel	FWD	1968	105	143	10.11-05.15	■
2.0 TDI (CJCD)	PR 1KW, PR 2EH	Diesel	FWD	1968	110	150	05.13-01.17	■
2.0 TDI (CSUA)	PR 1KW, PR 2EH	Diesel	FWD	1968	110	150	05.13-01.17	■
2.0 TDI (CAHB)	PR 1KW	Diesel	FWD	1968	120	163	05.09-06.14	■
2.0 TDI (CGLD)	PR 1KW	Diesel	FWD	1968	120	163	05.09-06.14	■
2.0 TDI (CAHA)	PR 1KW	Diesel	FWD	1968	125	170	05.09-03.12	■
2.0 TDI (CGLC)	PR 1KW, PR 2EH	Diesel	FWD	1968	130	177	10.11-01.17	■
2.0 TDI quattro (CGLC)	PR 1KW, PR 2EH	Diesel	4WD	1968	130	177	01.12-05.15	■
2.0 TDI (CNHA)	PR 1KW, PR 2EH	Diesel	FWD	1968	140	190	09.13-01.17	■
2.0 TDI quattro (CNHA)	PR 1KW, PR 2EH	Diesel	4WD	1968	140	190	09.13-01.17	■
2.7 TDI (CGKB)	PR 1KW	Diesel	FWD	2698	120	163	05.09-03.12	■
2.7 TDI (CGKA)	PR 1KW	Diesel	FWD	2698	140	190	03.09-03.12	■
3.0 TDI (CLAB)	PR 1KW, PR 2EH	Diesel	FWD	2967	150	204	10.11-01.17	■

LISTA DE APLICACIONES - BUYERS GUIDE

3.0 TDI quattro (CCWA)	PR 1KW	Diesel	4WD	2967	176	240	03.09-03.12	■
3.0 TDI quattro (CDUC)	PR 1KW, PR 2EH	Diesel	4WD	2967	180	245	10.11-01.17	■
3.0 TDI quattro (CKVC)	PR 1KW, PR 2EH	Diesel	4WD	2967	180	245	10.11-01.17	■
A5 (8T3) 06.07-10.17					Coupe (Compact executive car-D Segment)			
1.8 TFSI (CDHB)	elec.brake detention, PR 1KW	Gasolina	FWD	1798	118	160	05.09-09.11	■
1.8 TFSI (CABD)		Gasolina	FWD	1798	125	170	10.07-01.17	■
1.8 TFSI (CJEB)		Gasolina	FWD	1798	125	170	10.07-01.17	■
2.0 TFSI (CDNB)	PR 1KW	Gasolina	FWD	1984	132	180	11.08-03.12	■
2.0 TFSI (CDNC)	PR 1KW	Gasolina	FWD	1984	155	211	06.08-11.13	■
2.0 TFSI quattro (CAEB)	PR 1KW	Gasolina	4WD	1984	155	211	06.08-01.17	■
2.0 TFSI quattro (CDNC)	PR 1KW	Gasolina	4WD	1984	155	211	06.08-01.17	■
2.0 TFSI quattro (CPMA)	PR 1KW	Gasolina	4WD	1984	155	211	06.08-01.17	■
2.0 TFSI quattro (CAED)	PR 1KW, PR 2EH	Gasolina	4WD	1984	162	220	03.12-01.17	■
2.0 TFSI quattro (CPMB)	PR 1KW, PR 2EH	Gasolina	4WD	1984	162	220	03.12-01.17	■
2.0 TFSI (CNCD)	PR 1KW, PR 2EH	Gasolina	FWD	1984	165	224	05.13-05.16	■
2.0 TFSI quattro (CNCD)	PR 1KW, PR 2EH	Gasolina	4WD	1984	165	224	05.13-05.16	■
2.0 TFSI (CNCE)	PR 1KW, PR 2EH	Gasolina	FWD	1984	169	230	08.15-01.17	■
2.0 TFSI quattro (CNCE)	PR 1KW, PR 2EH	Gasolina	4WD	1984	169	230	08.15-01.17	■
3.0 TFSI quattro (CHMB)	PR 1KW, PR 2EH	Gasolina	4WD	2995	200	272	12.11-01.17	■
3.0 TFSI quattro (CMUA)	PR 1KW, PR 2EH	Gasolina	4WD	2995	200	272	12.11-01.17	■
3.0 TFSI quattro (CRED)	PR 1KW, PR 2EH	Gasolina	4WD	2995	200	272	12.11-01.17	■
3.2 FSI (CALA)		Gasolina	FWD	3197	195	265	06.07-03.12	■
3.2 FSI quattro (CALA)	PR 1KW	Gasolina	4WD	3197	195	265	06.07-03.12	■
2.0 TDI (CAHB)	PR 1KW	Diesel	FWD	1968	120	163	08.08-01.17	■
2.0 TDI (CGLD)	PR 1KW	Diesel	FWD	1968	120	163	08.08-01.17	■
2.0 TDI (CNHC)	PR 1KW	Diesel	FWD	1968	120	163	08.08-01.17	■
2.0 TDI (CAHA)	PR 1KW	Diesel	FWD	1968	125	170	08.08-03.12	■
2.0 TDI quattro (CAHA)	PR 1KW	Diesel	4WD	1968	125	170	08.08-03.12	■
2.0 TDI (CGLC)	PR 1KW, PR 2EH	Diesel	FWD	1968	130	177	10.11-01.17	■
2.0 TDI quattro (CGLC)	PR 1KW, PR 2EH	Diesel	4WD	1968	130	177	12.11-01.17	■
2.0 TDI (CNHA)	PR 1KW, PR 2EH	Diesel	FWD	1968	140	190	09.13-01.17	■
2.0 TDI quattro (CNHA)	PR 1KW, PR 2EH	Diesel	4WD	1968	140	190	09.13-01.17	■
2.7 TDI (CAMB)	PR 1KW	Diesel	FWD	2698	120	163	09.07-03.12	■
2.7 TDI (CGKB)	PR 1KW	Diesel	FWD	2698	120	163	09.07-03.12	■
2.7 TDI (CAMA)		Diesel	FWD	2698	140	190	06.07-03.12	■
2.7 TDI (CGKA)		Diesel	FWD	2698	140	190	06.07-03.12	■
3.0 TDI (CLAB)	PR 1KW, PR 2EH	Diesel	FWD	2967	150	204	10.11-01.17	■
3.0 TDI quattro (CCWB)	PR 1KW	Diesel	4WD	2967	155	211	03.08-05.10	■
3.0 TDI quattro (CAPA)		Diesel	4WD	2967	176	240	06.07-03.12	■
3.0 TDI quattro (CCWA)		Diesel	4WD	2967	176	240	06.07-03.12	■
3.0 TDI quattro (CDUC)	PR 1KW, PR 2EH	Diesel	4WD	2967	180	245	10.11-01.17	■
3.0 TDI quattro (CKVB)	PR 1KW, PR 2EH	Diesel	4WD	2967	180	245	10.11-01.17	■
3.0 TDI quattro (CKVC)	PR 1KW, PR 2EH	Diesel	4WD	2967	180	245	10.11-01.17	■
A5 II (F57, F5E) 11.16-					Convertible (Compact executive car-D Segment)			
2.0 TFSI (CVKB)		Gasolina	FWD	1984	140	190	03.17-12.19	■
2.0 TFSI (DKYA)		Gasolina	FWD	1984	140	190	03.17-12.19	■
40 TFSI (DMSA)		Gasolina	FWD	1984	150	204	11.20-	■
2.0 TFSI (CYRB)		Gasolina	FWD	1984	185	252	03.17-12.19	■
2.0 TFSI quattro (CYMC)		Gasolina	4WD	1984	185	252	11.16-	■
2.0 TFSI quattro (CYRB)		Gasolina	4WD	1984	185	252	11.16-	■

LISTA DE APLICACIONES - BUYERS GUIDE

35 TFSI Mild Hybrid (DMSB)		Gasol./el éc.	FWD	1984	110	150	06.20-	■
40 TFSI Mild Hybrid (DEMA)		Gasol./el éc.	FWD	1984	140	190	05.17-	■
40 TFSI Mild Hybrid (DKYA)		Gasol./el éc.	FWD	1984	140	190	05.17-	■
40 TFSI Mild Hybrid (DLVA)		Gasol./el éc.	FWD	1984	140	190	05.17-	■
40 TFSI Mild Hybrid (DMSA)		Gasol./el éc.	FWD	1984	150	204	07.20-	■
40 TFSI Mild Hybrid quattro (DMSA)		Gasol./el éc.	4WD	1984	150	204	06.20-	■
45 TFSI Mild Hybrid (DKNA)		Gasol./el éc.	FWD	1984	180	245	07.18-12.19	■
45 TFSI Mild hybrid quattro (DKNA)		Gasol./el éc.	4WD	1984	180	245	07.18-12.19	■
2.0 TFSI Mild Hybrid (DDWA)		Gasol./el éc.	FWD	1984	185	252	05.17-12.19	■
2.0 TFSI Mild Hybrid quattro (DDWA)		Gasol./el éc.	4WD	1984	185	252	05.17-	■
2.0 TFSI Mild Hybrid quattro (DLHB)		Gasol./el éc.	4WD	1984	185	252	05.17-	■
45 TFSI Mild hybrid quattro		Gasol./el éc.	4WD	1984	195	265	06.20-	■
30 TDI Mild Hybrid		Diesel/el éc.	FWD	1968	100	136	07.18-	■
40 TDI Mild Hybrid		Diesel/el éc.	FWD	1968	150	204	09.20-	■
40 TDI Mild Hybrid quattro		Diesel/el éc.	4WD	1968	150	204	09.20-	■
2.0 TDI (DEUA)		Diesel	FWD	1968	110	150	08.17-12.19	■
35 TDI (DEZE)		Diesel	FWD	1968	120	163	10.19-	■
2.0 TDI (DETA)		Diesel	FWD	1968	140	190	11.16-12.19	■
2.0 TDI quattro (DETA)		Diesel	4WD	1968	140	190	03.17-	■
40 TDI (DETA)		Diesel	FWD	1968	140	190	11.16-12.19	■
40 TDI quattro (DETA)		Diesel	4WD	1968	140	190	03.17-	■
3.0 TDI (CSWB)		Diesel	FWD	2967	160	218	03.17-08.18	■
3.0 TDI quattro (CSWB)		Diesel	4WD	2967	160	218	12.16-08.18	■
3.0 TDI quattro (DCPC)		Diesel	4WD	2967	210	286	11.16-12.19	■
50 TDI quattro (DCPC)		Diesel	4WD	2967	210	286	11.16-12.19	■
A5 II (F53, F5P) 06.16-							Coupe (Compact executive car-D Segment)	
1.4 TFSI (CVNA)		Gasolina	FWD	1395	110	150	11.16-02.20	■
35 TFSI		Gasolina	FWD	1984	110	150	03.20-	■
40 TFSI (DMSA)		Gasolina	FWD	1984	150	204	11.20-	■
2.0 TFSI (CYRB)		Gasolina	FWD	1984	185	252	11.16-02.20	■
2.0 TFSI quattro (CYMC)		Gasolina	4WD	1984	185	252	06.16-	■
2.0 TFSI quattro (CYRB)		Gasolina	4WD	1984	185	252	06.16-	■
S5 TFSI quattro (CWGD)		Gasolina	4WD	2995	260	354	07.16-	■
35 TFSI Mild Hybrid (DLVB)		Gasol./el éc.	FWD	1984	110	150	02.19-	■
35 TFSI Mild Hybrid (DMSB)		Gasol./el éc.	FWD	1984	110	150	02.19-	■
40 TFSI Mild Hybrid (DEMA)		Gasol./el éc.	FWD	1984	140	190	05.17-	■
40 TFSI Mild Hybrid (DHDA)		Gasol./el éc.	FWD	1984	140	190	05.17-	■
40 TFSI Mild Hybrid (DKYA)		Gasol./el éc.	FWD	1984	140	190	05.17-	■
40 TFSI Mild Hybrid (DLVA)		Gasol./el éc.	FWD	1984	140	190	05.17-	■
40 TFSI Mild Hybrid		Gasol./el éc.	FWD	1984	150	204	07.20-	■

LISTA DE APLICACIONES - BUYERS GUIDE

40 TFSI Mild Hybrid quattro	Gasol./el éc.	4WD	1984	150	204	07.20-	■
45 TFSI Mild Hybrid (DKNA)	Gasol./el éc.	FWD	1984	180	245	07.18-08.20	■
45 TFSI Mild hybrid quattro (DKNA)	Gasol./el éc.	4WD	1984	180	245	07.18-08.20	■
2.0 TFSI Mild Hybrid (DDWA)	Gasol./el éc.	FWD	1984	185	252	05.17-02.20	■
2.0 TFSI Mild Hybrid quattro (DDWA)	Gasol./el éc.	4WD	1984	185	252	05.17-02.20	■
2.0 TFSI Mild Hybrid quattro (DLHB)	Gasol./el éc.	4WD	1984	185	252	05.17-02.20	■
45 TFSI Mild hybrid quattro	Gasol./el éc.	4WD	1984	195	265	10.19-	■
30 TDI Mild Hybrid (DEZB)	Diesel/el éc.	FWD	1968	100	136	10.19-	■
40 TDI Mild Hybrid	Diesel/el éc.	FWD	1968	150	204	09.20-	■
40 TDI Mild Hybrid quattro	Diesel/el éc.	4WD	1968	150	204	09.20-	■
50 TDI Mild Hybrid quattro	Diesel/el éc.	4WD	2967	210	286	08.20-	■
S5 TDI Mild Hybrid quattro	Diesel/el éc.	4WD	2967	251	341	01.21-	■
S5 TDI Mild Hybrid quattro (DEWB)	Diesel/el éc.	4WD	2967	255	347	12.18-02.20	■
2.0 TDI (CZHA)	Diesel	FWD	1968	110	150	05.17-02.20	■
2.0 TDI (DEUA)	Diesel	FWD	1968	110	150	05.17-02.20	■
35 TDI (CZHA)	Diesel	FWD	1968	110	150	05.17-02.20	■
35 TDI (DEUA)	Diesel	FWD	1968	110	150	05.17-02.20	■
35 TDI (DEZE)	Diesel	FWD	1968	120	163	08.19-	■
3.0 TDI (CSWB)	Diesel	FWD	2967	160	218	11.16-08.18	■
3.0 TDI quattro (CSWB)	Diesel	4WD	2967	160	218	07.16-08.18	■
45 TDI quattro (DCPE)	Diesel	4WD	2967	170	231	07.18-02.20	■
3.0 TDI quattro (CRTC)	Diesel	4WD	2967	200	272	02.17-12.17	■
3.0 TDI quattro (DCPC)	Diesel	4WD	2967	210	286	01.17-02.20	■
50 TDI quattro (DCPC)	Diesel	4WD	2967	210	286	01.17-02.20	■
A5 II Sportback (F5A, F5F) 06.16-						Hatchback (Compact executive car-D Segment)	
1.4 TFSI (CVNA)	Gasolina	FWD	1395	110	150	01.17-02.20	■
2.0 TFSI (CVKB)	Gasolina	FWD	1984	140	190	01.17-	■
2.0 TFSI (DKYA)	Gasolina	FWD	1984	140	190	01.17-	■
40 TFSI (DMSA)	Gasolina	FWD	1984	150	204	11.20-	■
2.0 TFSI (CYRB)	Gasolina	FWD	1984	185	252	11.16-02.20	■
2.0 TFSI g-tron (CVLA)	Gasol./Gas (CNG)	FWD	1984	125	170	02.17-02.20	■
40 TFSI g-tron (CVLA)	Gasol./Gas (CNG)	FWD	1984	125	170	02.17-	■
35 TFSI Mild Hybrid (DLVB)	Gasol./el éc.	FWD	1984	110	150	08.18-	■
35 TFSI Mild Hybrid (DMSB)	Gasol./el éc.	FWD	1984	110	150	08.18-	■
40 TFSI Mild Hybrid (DEMA)	Gasol./el éc.	FWD	1984	140	190	05.17-	■
40 TFSI Mild Hybrid (DHDA)	Gasol./el éc.	FWD	1984	140	190	05.17-	■
40 TFSI Mild Hybrid (DKYA)	Gasol./el éc.	FWD	1984	140	190	05.17-	■
40 TFSI Mild Hybrid (DLVA)	Gasol./el éc.	FWD	1984	140	190	05.17-	■
40 TFSI Mild Hybrid (DMSA)	Gasol./el éc.	FWD	1984	150	204	06.20-	■

LISTA DE APLICACIONES - BUYERS GUIDE

40 TFSI Mild Hybrid quattro (DMSA)		Gasol./el éc.	4WD	1984	150	204	06.20-	■	
45 TFSI Mild Hybrid (DKNA)		Gasol./el éc.	FWD	1984	180	245	07.18-02.20	■	
45 TFSI Mild hybrid quattro (DKNA)		Gasol./el éc.	4WD	1984	180	245	02.19-02.20	■	
2.0 TFSI Mild Hybrid (DDWA)		Gasol./el éc.	FWD	1984	185	252	05.17-02.20	■	
2.0 TFSI Mild Hybrid quattro (DDWA)		Gasol./el éc.	4WD	1984	185	252	05.17-02.20	■	
2.0 TFSI Mild Hybrid quattro (DLHB)		Gasol./el éc.	4WD	1984	185	252	05.17-02.20	■	
45 TFSI Mild hybrid quattro		Gasol./el éc.	4WD	1984	195	265	10.19-	■	
30 TDI Mild Hybrid (DEZB)		Diesel/el éc.	FWD	1968	100	136	10.19-	■	
40 TDI Mild Hybrid		Diesel/el éc.	FWD	1968	150	204	09.20-	■	
40 TDI Mild Hybrid quattro		Diesel/el éc.	4WD	1968	150	204	09.20-	■	
50 TDI Mild Hybrid quattro (DMGA)		Diesel/el éc.	4WD	2967	210	286	08.20-	■	
S5 TDI Mild Hybrid quattro		Diesel/el éc.	4WD	2967	251	341	01.21-	■	
S5 TDI Mild Hybrid quattro (DEWB)		Diesel/el éc.	4WD	2967	255	347	12.18-02.20	■	
2.0 TDI (DEUB)		Diesel	FWD	1968	100	136	05.17-02.20	■	
2.0 TDI (CZHA)		Diesel	FWD	1968	110	150	01.17-02.20	■	
2.0 TDI (DEUA)		Diesel	FWD	1968	110	150	01.17-02.20	■	
2.0 TDI quattro (CZHA)		Diesel	4WD	1968	110	150	05.17-02.20	■	
2.0 TDI quattro (DEUA)		Diesel	4WD	1968	110	150	05.17-02.20	■	
35 TDI (DEUA)		Diesel	FWD	1968	110	150	01.17-02.20	■	
35 TDI (DEZE)		Diesel	FWD	1968	120	163	08.19-	■	
3.0 TDI (CSWB)		Diesel	FWD	2967	160	218	03.17-08.18	■	
45 TDI quattro (DCPE)		Diesel	4WD	2967	170	231	07.18-02.20	■	
3.0 TDI quattro (CRTC)		Diesel	4WD	2967	200	272	02.17-12.17	■	
3.0 TDI quattro (DCPC)		Diesel	4WD	2967	210	286	01.17-02.20	■	
50 TDI quattro (DCPC)		Diesel	4WD	2967	210	286	01.17-02.20	■	
A5 Sportback (8TA) 07.07-10.17					Hatchback (Compact executive car-D Segment)				
1.8 TFSI (CJED)	PR 1KW, PR 2EH	Gasolina	FWD	1798	106	144	09.14-01.17	■	
1.8 TFSI (CDHB)	elec.brake detention, PR 1KW	Gasolina	FWD	1798	118	160	11.09-09.11	■	
1.8 TFSI (CJEB)	PR 1KW, PR 2EH	Gasolina	FWD	1798	125	170	08.11-01.17	■	
2.0 TFSI (CDNB)	elec.brake detention, PR 1KW	Gasolina	FWD	1984	132	180	09.09-06.14	■	
2.0 TFSI (CDNC)	elec.brake detention, PR 1KW	Gasolina	FWD	1984	155	211	09.09-11.13	■	
2.0 TFSI quattro (CDNC)	elec.brake detention, PR 1KW	Gasolina	4WD	1984	155	211	09.09-01.17	■	
2.0 TFSI (CNCD)	PR 1KW, PR 2EH	Gasolina	FWD	1984	165	224	05.13-05.16	■	
2.0 TFSI quattro (CNCD)	PR 1KW, PR 2EH	Gasolina	4WD	1984	165	224	05.13-05.16	■	
3.0 TFSI quattro (CHMB)	PR 1KW, PR 2EH	Gasolina	4WD	2995	200	272	12.11-01.17	■	
3.0 TFSI quattro (CMUA)	PR 1KW, PR 2EH	Gasolina	4WD	2995	200	272	12.11-01.17	■	
3.0 TFSI quattro (CRED)	PR 1KW, PR 2EH	Gasolina	4WD	2995	200	272	12.11-01.17	■	
3.2 FSI quattro (CALA)	elec.brake detention, PR 1KW	Gasolina	4WD	3197	195	265	09.09-03.12	■	
2.0 TDI (CAGB)	elec.brake detention, PR 1KW	Diesel	FWD	1968	100	136	09.09-01.17	■	
2.0 TDI (CJCB)	elec.brake detention, PR 1KW	Diesel	FWD	1968	100	136	09.09-01.17	■	
2.0 TDI (CSUB)	elec.brake detention, PR 1KW	Diesel	FWD	1968	100	136	09.09-01.17	■	
2.0 TDI (CAGA)	elec.brake detention, PR 1KW	Diesel	FWD	1968	105	143	09.09-01.17	■	
2.0 TDI (CJCA)	elec.brake detention, PR 1KW	Diesel	FWD	1968	105	143	09.09-01.17	■	
2.0 TDI (CMEA)	elec.brake detention, PR 1KW	Diesel	FWD	1968	105	143	09.09-01.17	■	
2.0 TDI (CMFA)	elec.brake detention, PR 1KW	Diesel	FWD	1968	105	143	09.09-01.17	■	

LISTA DE APLICACIONES - BUYERS GUIDE

2.0 TDI (CJCD)	PR 1KW, PR 2EH	Diesel	FWD	1968	110	150	05.13-01.17	■
2.0 TDI (CMFB)	PR 1KW, PR 2EH	Diesel	FWD	1968	110	150	05.13-01.17	■
2.0 TDI (CSUA)	PR 1KW, PR 2EH	Diesel	FWD	1968	110	150	05.13-01.17	■
2.0 TDI (CAHB)	elec.brake detention, PR 1KW	Diesel	FWD	1968	120	163	09.09-01.17	■
2.0 TDI (CGLD)	elec.brake detention, PR 1KW	Diesel	FWD	1968	120	163	09.09-01.17	■
2.0 TDI (CNHC)	elec.brake detention, PR 1KW	Diesel	FWD	1968	120	163	09.09-01.17	■
2.0 TDI (CAHA)	PR 1KW, elec.brake detention	Diesel	FWD	1968	125	170	09.09-03.12	■
2.0 TDI quattro (CAHA)	elec.brake detention, PR 1KW	Diesel	4WD	1968	125	170	09.09-03.12	■
2.0 TDI (CGLC)	PR 1KW, PR 2EH	Diesel	FWD	1968	130	177	10.11-01.17	■
2.0 TDI quattro (CGLC)	PR 1KW, PR 2EH	Diesel	4WD	1968	130	177	12.11-01.17	■
2.0 TDI (CNHA)	PR 1KW, PR 2EH	Diesel	FWD	1968	140	190	09.13-01.17	■
2.0 TDI quattro (CNHA)	PR 1KW, PR 2EH	Diesel	4WD	1968	140	190	09.13-01.17	■
2.7 TDI (CGKB)	elec.brake detention, PR 1KW	Diesel	FWD	2698	120	163	09.09-03.12	■
2.7 TDI (CAMA)	elec.brake detention, PR 1KW	Diesel	FWD	2698	140	190	09.09-03.12	■
2.7 TDI (CGKA)	elec.brake detention, PR 1KW	Diesel	FWD	2698	140	190	09.09-03.12	■
3.0 TDI (CLAB)	PR 1KW, PR 2EH	Diesel	FWD	2967	150	204	10.11-01.17	■
3.0 TDI quattro (CCWA)	elec.brake detention, PR 1KW	Diesel	4WD	2967	176	240	09.09-03.12	■
3.0 TDI quattro (CDUC)	PR 1KW, PR 2EH	Diesel	4WD	2967	180	245	10.11-01.17	■
3.0 TDI quattro (CKVB)	PR 1KW, PR 2EH	Diesel	4WD	2967	180	245	10.11-01.17	■
3.0 TDI quattro (CKVC)	PR 1KW, PR 2EH	Diesel	4WD	2967	180	245	10.11-01.17	■
A6 IV C7 (4G2, 4GC) 11.10-				Saloon (Executive car-E Segment)				
1.8 TFSI (CYGA)	PR 1KW	Gasolina	FWD	1798	140	190	09.14-09.18	■
2.0 TFSI (CDNB)	PR 1KW	Gasolina	FWD	1984	132	180	05.11-09.18	■
2.0 TFSI (CAEB)	PR 1KW	Gasolina	FWD	1984	155	211	03.11-05.13	■
2.0 TFSI quattro (CAEB)	PR 1KW	Gasolina	4WD	1984	155	211	05.12-04.15	■
2.0 TFSI (CAED)	PR 1KW	Gasolina	FWD	1984	162	220	05.13-09.18	■
2.0 TFSI quattro (CAED)		Gasolina	4WD	1984	162	220	05.13-09.18	■
2.0 TFSI (CYNB)	PR 1KW	Gasolina	FWD	1984	185	252	09.14-09.18	■
2.0 TFSI (CYPA)	PR 1KW	Gasolina	FWD	1984	185	252	09.14-09.18	■
2.8 FSI (CHVA)	PR 1KW	Gasolina	FWD	2773	150	204	11.10-04.15	■
2.8 FSI quattro (CHVA)	PR 1KW	Gasolina	4WD	2773	150	204	11.10-04.15	■
3.0	PR 1KW	Gasolina	FWD	2995	213	290	11.11-	■
3.0		Gasolina	FWD	2995	213	290	11.11-	■
3.0 TFSI quattro (CCAA)	PR 1KW	Gasolina	4WD	2995	220	300	11.10-05.12	■
3.0 TFSI quattro (CGWB)	PR 1KW	Gasolina	4WD	2995	220	300	11.10-05.12	■
3.0 TFSI quattro (CGWD)	PR 1KW	Gasolina	4WD	2995	228	310	03.11-09.18	■
3.0 TFSI quattro (CGXB)	PR 1KW	Gasolina	4WD	2995	228	310	03.11-09.18	■
3.0 TFSI quattro (CTUA)	PR 1KW	Gasolina	4WD	2995	228	310	03.11-09.18	■
3.0 TFSI quattro (CREC)	PR 1KW	Gasolina	4WD	2995	245	333	09.14-09.18	■
S6 quattro (CEUC)	PR 1KW	Gasolina	4WD	3993	309	420	02.12-09.18	■
S6 quattro (CTGE)	PR 1KW	Gasolina	4WD	3993	331	450	10.14-09.18	■
2.0 TFSI Hybrid (CHJA)	PR 1KW	Gasol./el éc.	FWD	1984	180	245	11.11-04.15	■
2.0 TDI (CSUD)	PR 1KW	Diesel	FWD	1968	110	150	09.14-09.18	■
2.0 TDI (DDCB)	PR 1KW	Diesel	FWD	1968	110	150	09.14-09.18	■
2.0 TDI (CGLD)	PR 1KW	Diesel	FWD	1968	120	163	03.11-09.18	■
2.0 TDI (CGLC)	PR 1KW	Diesel	FWD	1968	130	177	03.11-09.18	■
2.0 TDI (CMGB)	PR 1KW	Diesel	FWD	1968	130	177	03.11-09.18	■
2.0 TDI (CNHA)	PR 1KW	Diesel	FWD	1968	140	190	11.13-09.18	■
2.0 TDI (CZJA)	PR 1KW	Diesel	FWD	1968	140	190	11.13-09.18	■
2.0 TDI (DDDA)	PR 1KW	Diesel	FWD	1968	140	190	11.13-09.18	■
3.0 TDI (CLAB)	PR 1KW	Diesel	FWD	2967	150	204	11.10-09.18	■

LISTA DE APLICACIONES - BUYERS GUIDE

3.0 TDI quattro (CLAA)	PR 1KW	Diesel	4WD	2967	150	204	03.11-09.18	■
3.0 TDI (CTCB)	PR 1KW	Diesel	FWD	2967	155	211	09.14-09.18	■
3.0 TDI (CZVD)	PR 1KW	Diesel	FWD	2967	155	211	09.14-09.18	■
3.0 TDI quattro (CRTF)	PR 1KW	Diesel	4WD	2967	155	211	09.14-09.18	■
3.0 TDI quattro (CZVC)	PR 1KW	Diesel	4WD	2967	155	211	09.14-09.18	■
3.0 TDI (CTCC)	PR 1KW	Diesel	FWD	2967	160	218	09.14-09.18	■
3.0 TDI (CZVB)	PR 1KW	Diesel	FWD	2967	160	218	09.14-09.18	■
3.0 TDI quattro (CRTE)	PR 1KW	Diesel	4WD	2967	160	218	09.14-09.18	■
3.0 TDI quattro (CZVA)	PR 1KW	Diesel	4WD	2967	160	218	09.14-09.18	■
3.0 TDI quattro	PR 1KW	Diesel	4WD	2967	176	239	05.13-	■
3.0 TDI quattro (CDUC)	PR 1KW	Diesel	4WD	2967	180	245	03.11-09.18	■
3.0 TDI quattro (CDUD)	PR 1KW	Diesel	4WD	2967	180	245	03.11-09.18	■
3.0 TDI quattro (CKVB)	PR 1KW	Diesel	4WD	2967	180	245	03.11-09.18	■
3.0 TDI quattro (CKVC)	PR 1KW	Diesel	4WD	2967	180	245	03.11-09.18	■
3.0 TDI quattro (CRTD)	PR 1KW	Diesel	4WD	2967	200	272	09.14-09.18	■
3.0 TDI quattro (CGQB)	PR 1KW	Diesel	4WD	2967	230	313	11.11-09.18	■
3.0 TDI quattro (CVUA)	PR 1KW	Diesel	4WD	2967	235	320	09.14-09.18	■
3.0 TDI quattro (CVUB)		Diesel	4WD	2967	240	326	09.14-09.18	■
A6 IV C7 Avant (4G5, 4GD) 05.11-					Estate (Executive car-E Segment)			
1.8 TFSI (CYGA)	PR 1KW	Gasolina	FWD	1798	140	190	09.14-09.18	■
2.0 TFSI (CDNB)	PR 1KW	Gasolina	FWD	1984	132	180	06.11-09.18	■
2.0 TFSI (CYNB)	PR 1KW	Gasolina	FWD	1984	185	252	09.14-09.18	■
2.0 TFSI (CYPA)	PR 1KW	Gasolina	FWD	1984	185	252	09.14-09.18	■
2.8 FSI (CHVA)	PR 1KW	Gasolina	FWD	2773	150	204	05.11-04.15	■
2.8 FSI quattro (CHVA)	PR 1KW	Gasolina	4WD	2773	150	204	05.11-04.15	■
3.0 TFSI quattro (CGWB)	PR 1KW	Gasolina	4WD	2995	220	300	05.11-05.12	■
3.0 TFSI quattro (CGWD)	PR 1KW	Gasolina	4WD	2995	228	310	11.11-09.18	■
3.0 TFSI quattro (CREC)	PR 1KW	Gasolina	4WD	2995	245	333	09.14-09.18	■
S6 quattro (CEUC)		Gasolina	4WD	3993	309	420	02.12-09.18	■
S6 quattro (CTGE)	PR 1KW	Gasolina	4WD	3993	331	450	10.14-09.18	■
2.0 TDI (CSUD)	PR 1KW	Diesel	FWD	1968	110	150	09.14-09.18	■
2.0 TDI (DDCB)	PR 1KW	Diesel	FWD	1968	110	150	09.14-09.18	■
2.0 TDI (CGLD)	PR 1KW	Diesel	FWD	1968	120	163	05.11-09.18	■
2.0 TDI (CGLC)	PR 1KW	Diesel	FWD	1968	130	177	05.11-09.18	■
2.0 TDI (CMGB)	PR 1KW	Diesel	FWD	1968	130	177	05.11-09.18	■
2.0 TDI (CNHA)	PR 1KW	Diesel	FWD	1968	140	190	11.13-09.18	■
2.0 TDI (CZJA)	PR 1KW	Diesel	FWD	1968	140	190	11.13-09.18	■
2.0 TDI (DDDA)	PR 1KW	Diesel	FWD	1968	140	190	11.13-09.18	■
3.0 TDI (CLAB)	PR 1KW	Diesel	FWD	2967	150	204	05.11-09.18	■
3.0 TDI quattro (CLAA)	PR 1KW	Diesel	4WD	2967	150	204	05.11-09.18	■
3.0 TDI (CTCB)	PR 1KW	Diesel	FWD	2967	155	211	09.14-09.18	■
3.0 TDI (CZVD)	PR 1KW	Diesel	FWD	2967	155	211	09.14-09.18	■
3.0 TDI quattro (CRTF)	PR 1KW	Diesel	4WD	2967	155	211	09.14-09.18	■
3.0 TDI quattro (CZVC)	PR 1KW	Diesel	4WD	2967	155	211	09.14-09.18	■
3.0 TDI (CTCC)	PR 1KW	Diesel	FWD	2967	160	218	09.14-09.18	■
3.0 TDI (CZVB)	PR 1KW	Diesel	FWD	2967	160	218	09.14-09.18	■
3.0 TDI quattro (CRTE)	PR 1KW	Diesel	4WD	2967	160	218	09.14-09.18	■
3.0 TDI quattro (CZVA)	PR 1KW	Diesel	4WD	2967	160	218	09.14-09.18	■
3.0 TDI quattro (CDUC)	PR 1KW	Diesel	4WD	2967	180	245	05.11-09.18	■
3.0 TDI quattro (CDUD)	PR 1KW	Diesel	4WD	2967	180	245	05.11-09.18	■
3.0 TDI quattro (CKVB)	PR 1KW	Diesel	4WD	2967	180	245	05.11-09.18	■

LISTA DE APLICACIONES - BUYERS GUIDE

3.0 TDI quattro (CKVC)	PR 1KW	Diesel	4WD	2967	180	245	05.11-09.18	■	
3.0 TDI quattro (CRTD)	PR 1KW	Diesel	4WD	2967	200	272	09.14-09.18	■	
3.0 TDI quattro (CGQB)	PR 1KW	Diesel	4WD	2967	230	313	11.11-09.18	■	
3.0 TDI quattro (CVUA)	PR 1KW	Diesel	4WD	2967	235	320	09.14-09.18	■	
3.0 TDI quattro (CVUB)	PR 1KW	Diesel	4WD	2967	240	326	09.14-09.18	■	
A6 V C8 Avant (4A5) 05.18-					Estate (Executive car-E Segment)				
40 TFSI 12V		Gasolina	FWD	1984	140	190	04.20-	■	
40 TFSI (DMTC)		Gasolina	FWD	1984	150	204	09.20-	■	
45 TFSI		Gasolina	FWD	1984	180	245	04.20-	■	
45 TFSI quattro		Gasolina	4WD	1984	195	265	10.22-	■	
40 TFSI Mild Hybrid		Gasol./el éc.	FWD	1984	140	190	02.19-	■	
40 TFSI Mild Hybrid		Gasol./el éc.	FWD	1984	150	204	01.21-	■	
45 TFSI Mild Hybrid (DKNA)		Gasol./el éc.	FWD	1984	180	245	08.18-	■	
45 TFSI Mild Hybrid (DLHA)		Gasol./el éc.	FWD	1984	180	245	08.18-	■	
45 TFSI Mild hybrid quattro (DKNA)		Gasol./el éc.	4WD	1984	180	245	08.18-	■	
45 TFSI Mild hybrid quattro (DLHA)		Gasol./el éc.	4WD	1984	180	245	08.18-	■	
45 TFSI Mild Hybrid (DMTA)		Gasol./el éc.	FWD	1984	195	265	05.20-	■	
45 TFSI Mild hybrid quattro (DMTA)		Gasol./el éc.	4WD	1984	195	265	05.20-	■	
50 TFSI e quattro		Gasol./el éc.	4WD	1984	220	299	02.21-	■	
30 TDI Mild Hybrid (DEZF)		Diesel/el éc.	FWD	1968	100	136	01.19-	■	
35 TDI Mild Hybrid (DEZD)		Diesel/el éc.	FWD	1968	120	163	03.19-	■	
40 TDI Mild Hybrid (DFBA)		Diesel/el éc.	FWD	1968	150	204	05.18-	■	
40 TDI Mild Hybrid quattro (DFBA)		Diesel/el éc.	4WD	1968	150	204	07.18-	■	
45 TDI Mild Hybrid quattro (DDVF)		Diesel/el éc.	4WD	2967	155	211	07.18-	■	
45 TDI Mild Hybrid quattro (DDVE)		Diesel/el éc.	4WD	2967	170	231	05.18-	■	
45 TDI Mild Hybrid quattro		Diesel/el éc.	4WD	2967	180	245	01.21-	■	
50 TDI Mild Hybrid quattro (DDVB)		Diesel/el éc.	4WD	2967	210	286	05.18-	■	
45 TDI quattro		Diesel	4WD	2967	183	249	07.19-	■	
A6 V Allroad C8 (4AH) 11.18-					Estate (Executive car-E Segment)				
40 TDI Mild Hybrid quattro		Diesel/el éc.	4WD	1968	150	204	09.20-	■	
45 TDI Mild Hybrid quattro (DDVE)		Diesel/el éc.	4WD	2967	170	231	11.18-	■	
45 TDI Mild Hybrid quattro		Diesel/el éc.	4WD	2967	180	245	01.21-	■	
50 TDI Mild Hybrid quattro (DDVB)		Diesel/el éc.	4WD	2967	210	286	11.18-	■	
A6 V C8 (4A2) 02.18-					Saloon (Executive car-E Segment)				
40 TFSI (DMTC)		Gasolina	FWD	1984	150	204	09.20-	■	
45 TFSI		Gasolina	FWD	1984	185	252	11.19-	■	
45 TFSI quattro (DLHB)		Gasolina	4WD	1984	185	252	11.19-	■	
40 TFSI Mild Hybrid		Gasol./el éc.	FWD	1984	140	190	02.19-	■	
40 TFSI Mild Hybrid		Gasol./el éc.	FWD	1984	150	204	01.21-	■	

LISTA DE APLICACIONES - BUYERS GUIDE

45 TFSI Mild Hybrid (DKNA)	Gasol./el éc.	FWD	1984	180	245	08.18-	■
45 TFSI Mild Hybrid (DLHA)	Gasol./el éc.	FWD	1984	180	245	08.18-	■
45 TFSI Mild hybrid quattro (DKNA)	Gasol./el éc.	4WD	1984	180	245	08.18-	■
45 TFSI Mild hybrid quattro (DLHA)	Gasol./el éc.	4WD	1984	180	245	08.18-	■
45 TFSI Mild Hybrid (DMTA)	Gasol./el éc.	FWD	1984	195	265	05.20-	■
45 TFSI Mild hybrid quattro (DMTA)	Gasol./el éc.	4WD	1984	195	265	05.20-	■
50 TFSI e quattro (DLGA)	Gasol./el éc.	4WD	1984	220	299	11.19-	■
50 TFSI e quattro	Gasol./el éc.	4WD	1984	220	299	02.21-	■
30 TDI Mild Hybrid (DEZF)	Diesel/el éc.	FWD	1968	100	136	01.19-	■
35 TDI Mild Hybrid (DEZD)	Diesel/el éc.	FWD	1968	120	163	03.19-	■
40 TDI Mild Hybrid (DFBA)	Diesel/el éc.	FWD	1968	150	204	07.18-	■
40 TDI Mild Hybrid quattro	Diesel/el éc.	4WD	1968	150	204	07.18-	■
45 TDI Mild Hybrid quattro (DDVF)	Diesel/el éc.	4WD	2967	155	211	07.18-	■
45 TDI Mild Hybrid quattro (DDVE)	Diesel/el éc.	4WD	2967	170	231	07.18-	■
45 TDI Mild Hybrid quattro	Diesel/el éc.	4WD	2967	180	245	01.21-	■
50 TDI Mild Hybrid quattro (DDVB)	Diesel/el éc.	4WD	2967	210	286	02.18-	■
40 TDI	Diesel	FWD	1968	140	190	02.19-	■
45 TDI quattro	Diesel	4WD	2967	183	249	07.19-	■
A7 II Sportback (4KA) 10.17-						Hatchback (Executive car-E Segment)	
40 TFSI 12V (DKYA)	Gasolina	FWD	1984	140	190	11.19-	■
40 TFSI	Gasolina	FWD	1984	150	204	11.22-	■
45 TFSI (DLHA)	Gasolina	FWD	1984	180	245	11.19-	■
45 TFSI	Gasolina	FWD	1984	195	265	11.22-	■
40 TFSI Mild Hybrid	Gasol./el éc.	FWD	1984	140	190	08.20-	■
40 TFSI Mild Hybrid	Gasol./el éc.	FWD	1984	150	204	08.20-	■
45 TFSI Mild Hybrid (DKNA)	Gasol./el éc.	FWD	1984	180	245	07.18-	■
45 TFSI Mild Hybrid (DLHA)	Gasol./el éc.	FWD	1984	180	245	07.18-	■
45 TFSI Mild hybrid quattro (DKNA)	Gasol./el éc.	4WD	1984	180	245	07.18-	■
45 TFSI Mild hybrid quattro (DLHA)	Gasol./el éc.	4WD	1984	180	245	07.18-	■
45 TFSI Mild Hybrid	Gasol./el éc.	FWD	1984	195	265	05.20-	■
45 TFSI Mild hybrid quattro	Gasol./el éc.	4WD	1984	195	265	05.20-	■
50 TFSI e quattro (DLGA)	Gasol./el éc.	4WD	1984	220	299	11.19-	■
50 TFSI e quattro	Gasol./el éc.	4WD	1984	220	299	02.21-	■
55 TFSI e quattro	Gasol./el éc.	4WD	1984	270	367	07.19-	■
55 TFSI e quattro	Gasol./el éc.	4WD	1984	270	367	02.21-	■
S7 TFSI Mild Hybrid quattro	Gasol./el éc.	4WD	2894	331	450	01.20-	■
35 TDI Mild Hybrid	Diesel/el éc.	FWD	1968	120	163	10.20-	■

LISTA DE APLICACIONES - BUYERS GUIDE

40 TDI Mild Hybrid (DFBA)		Diesel/el éc.	FWD	1968	150	204	09.18-	■	
40 TDI Mild Hybrid quattro (DFBA)		Diesel/el éc.	4WD	1968	150	204	09.18-	■	
45 TDI Mild Hybrid quattro (DDVF)		Diesel/el éc.	4WD	2967	155	211	04.18-	■	
45 TDI Mild Hybrid quattro (DDVE)		Diesel/el éc.	4WD	2967	170	231	06.18-	■	
45 TDI Mild Hybrid quattro		Diesel/el éc.	4WD	2967	180	245	01.21-	■	
50 TDI Mild Hybrid quattro (DDVB)		Diesel/el éc.	4WD	2967	210	286	10.17-	■	
S7 TDI Mild Hybrid quattro		Diesel/el éc.	4WD	2967	253	344	11.20-	■	
S7 TDI Mild Hybrid quattro (DEWA)		Diesel/el éc.	4WD	2967	257	349	03.19-	■	
A7 Sportback (4GA, 4GF) 07.10-11.19					Hatchback (Executive car-E Segment)				
2.0 TFSI quattro (CYPB)	PR 1KW	Gasolina	4WD	1984	183	249	05.15-05.18	■	
2.0 TFSI (CYPA)	PR 1KW	Gasolina	FWD	1984	185	252	09.14-05.18	■	
2.0 TFSI quattro (CYNB)	PR 1KW	Gasolina	4WD	1984	185	252	05.15-05.18	■	
2.0 TFSI quattro (CYPA)	PR 1KW	Gasolina	4WD	1984	185	252	05.15-05.18	■	
2.8 FSI (CHVA)	PR 1KW	Gasolina	FWD	2773	150	204	02.11-03.15	■	
2.8 FSI quattro (CHVA)	elec.brake detention, PR 1KW	Gasolina	4WD	2773	150	204	10.10-03.15	■	
2.8 FSI quattro (CNYA)	elec.brake detention, PR 1KW	Gasolina	4WD	2773	150	204	10.10-03.15	■	
3.0 TFSI quattro (CGWB)	elec.brake detention, PR 1KW	Gasolina	4WD	2995	220	300	10.10-05.12	■	
3.0 TFSI quattro (CHMA)	elec.brake detention, PR 1KW	Gasolina	4WD	2995	220	300	10.10-05.12	■	
3.0 TFSI quattro (CGWD)		Gasolina	4WD	2995	228	310	01.11-03.15	■	
3.0 TFSI quattro (CGXB)		Gasolina	4WD	2995	228	310	01.11-03.15	■	
3.0 TFSI quattro (CTTA)		Gasolina	4WD	2995	228	310	01.11-03.15	■	
3.0 TFSI quattro (CTUA)		Gasolina	4WD	2995	228	310	01.11-03.15	■	
3.0 TFSI quattro (CREC)	PR 1KW	Gasolina	4WD	2995	245	333	05.14-05.18	■	
S7 quattro (CEUC)		Gasolina	4WD	3993	309	420	02.12-03.15	■	
S7 quattro (CTGE)	PR 1KW	Gasolina	4WD	3993	331	450	07.14-05.18	■	
RS7 quattro (CRDB)		Gasolina	4WD	3993	412	560	10.13-04.18	■	
RS7 quattro (CWUB)		Gasolina	4WD	3993	412	560	10.13-04.18	■	
3.0 TDI (CLAB)	elec.brake detention, PR 1KW	Diesel	FWD	2967	150	204	11.10-03.15	■	
3.0 TDI quattro (CLAA)	PR 1KW	Diesel	4WD	2967	150	204	12.10-03.15	■	
3.0 TDI quattro (CRTF)	PR 1KW	Diesel	4WD	2967	155	211	07.14-05.18	■	
3.0 TDI quattro (CTCB)	PR 1KW	Diesel	4WD	2967	155	211	07.14-05.18	■	
3.0 TDI quattro (CZVC)	PR 1KW	Diesel	4WD	2967	155	211	07.14-05.18	■	
3.0 TDI (CTCC)	PR 1KW, PR 2EH	Diesel	FWD	2967	160	218	07.14-05.18	■	
3.0 TDI (CZVB)	PR 1KW, PR 2EH	Diesel	FWD	2967	160	218	07.14-05.18	■	
3.0 TDI quattro (CRTE)	PR 1KW	Diesel	4WD	2967	160	218	07.14-05.18	■	
3.0 TDI quattro (CZVA)	PR 1KW	Diesel	4WD	2967	160	218	07.14-05.18	■	
3.0 TDI quattro (CPNB)	PR 1KW	Diesel	4WD	2967	176	239	05.13-06.17	■	
3.0 TDI quattro (CDUC)	elec.brake detention, PR 1KW	Diesel	4WD	2967	180	245	10.10-06.16	■	
3.0 TDI quattro (CDUD)	elec.brake detention, PR 1KW	Diesel	4WD	2967	180	245	10.10-06.16	■	
3.0 TDI quattro (CKVB)	elec.brake detention, PR 1KW	Diesel	4WD	2967	180	245	10.10-06.16	■	
3.0 TDI quattro (CKVC)	elec.brake detention, PR 1KW	Diesel	4WD	2967	180	245	10.10-06.16	■	
3.0 TDI quattro (CRTD)	PR 1KW	Diesel	4WD	2967	200	272	05.14-05.18	■	
3.0 TDI quattro (CGQB)		Diesel	4WD	2967	230	313	11.11-03.15	■	
3.0 TDI quattro (CVUA)	PR 1KW	Diesel	4WD	2967	235	320	05.14-05.18	■	
3.0 TDI quattro (CVUB)	PR 1KW	Diesel	4WD	2967	240	326	09.14-05.18	■	
Q5 (U.S.A. 8R) 09.08-12.10					Closed Off-Road Vehicle (Luxury Crossover SUV-J Segment)				
3.2	PR 1KW, PR 1KE	Gasolina	FWD		201	274	09.08-12.10	■	

LISTA DE APLICACIONES - BUYERS GUIDE

Q5 (8RB) 11.08-12.17					SUV Van (Luxury Crossover SUV-J Segment)			
2.0 TFSI quattro	PR 1KW	Gasolina	4WD	1984	155	211	11.08-09.12	■
3.2 FSI quattro	PR 1KW, PR 1KE	Gasolina	4WD	3197	199	271	11.08-09.12	■
2.0 TDI	PR 1KW	Diesel	FWD	1968	100	136	05.14-05.17	■
2.0 TDI	PR 1KW	Diesel	FWD	1968	105	143	11.11-05.13	■
2.0 TDI	PR 1KW, PR 2EK	Diesel	FWD	1968	110	150	06.12-05.17	■
2.0 TDI quattro	PR 1KW	Diesel	4WD	1968	125	170	11.08-09.12	■
2.0 TDI quattro	PR 1KW, PR 2EK, 09/12-	Diesel	4WD	1968	130	177	07.12-06.14	■
3.0 TDI quattro	PR 1KW, PR 1KE	Diesel	4WD	2967	176	239	11.08-04.13	■
3.0 TDI quattro	PR 1KW, PR 2EK, 09/12-	Diesel	4WD	2967	180	245	06.12-05.17	■
3.0 TDI quattro	PR 1KW, PR 2EK	Diesel	4WD	2967	190	258	11.13-05.17	■
Q5 (8RB) 11.08-					SUV (Luxury Crossover SUV-J Segment)			
2.0 TFSI quattro	PR 1KW, PR 2EK, 09/12-	Gasolina	4WD	1984	130	177	09.09-10.09	■
2.0 TFSI quattro (CDNB)	elec.brake detention, PR 1KW	Gasolina	4WD	1984	132	180	08.09-05.17	■
2.0 TFSI quattro (CNCB)	elec.brake detention, PR 1KW	Gasolina	4WD	1984	132	180	08.09-05.17	■
2.0 TFSI quattro (CAEB)	PR 1KW	Gasolina	4WD	1984	155	211	11.08-09.12	■
2.0 TFSI quattro (CDNC)	PR 1KW	Gasolina	4WD	1984	155	211	11.08-09.12	■
2.0 TFSI quattro (CPMB)	PR 1KW, PR 2EK	Gasolina	4WD	1984	162	220	05.13-05.17	■
2.0 TFSI quattro (CNCD)	PR 1KW, PR 2EK, 09/12-	Gasolina	4WD	1984	165	224	06.12-05.16	■
3.0 TFSI quattro (CTUC)	PR 1KW, PR 2EK, 09/12-	Gasolina	4WD	2995	200	272	06.12-05.17	■
3.0 TFSI quattro (CTVA)	PR 1KW, PR 2EK, 09/12-	Gasolina	4WD	2995	200	272	06.12-05.17	■
SQ5 TFSI quattro (CTUD)		Gasolina	4WD	2995	260	354	05.13-05.17	■
SQ5 TFSI quattro (CTXA)		Gasolina	4WD	2995	260	354	05.13-05.17	■
SQ5 TFSI		Gasolina	FWD	2995	264	359	03.14-	■
3.2 FSI quattro (CALB)	PR 1KW, PR 1KE	Gasolina	4WD	3197	199	270	11.08-12.12	■
2.0 TFSI Hybrid quattro (CHJA)	PR 1KW	Gasol./el éc.	4WD	1984	180	245	06.11-06.16	■
2.0 TFSI Hybrid quattro (CHJA)	PR 1KW, PR 2EK	Gasol./el éc.	4WD	1984	180	245	09.12-05.16	■
2.0 TDI (CJCB)	PR 1KW	Diesel	FWD	1968	100	136	11.10-05.17	■
2.0 TDI (CSUB)	PR 1KW	Diesel	FWD	1968	100	136	11.10-05.17	■
2.0 TDI quattro (CAGB)	elec.brake detention, PR 1KW	Diesel	4WD	1968	100	136	08.09-05.17	■
2.0 TDI quattro (CJCB)	elec.brake detention, PR 1KW	Diesel	4WD	1968	100	136	08.09-05.17	■
2.0 TDI quattro (CSUB)	elec.brake detention, PR 1KW	Diesel	4WD	1968	100	136	08.09-05.17	■
2.0 TDI (CJCA)	PR 1KW	Diesel	FWD	1968	105	143	11.10-05.13	■
2.0 TDI quattro (CAGA)	elec.brake detention, PR 1KW	Diesel	4WD	1968	105	143	08.09-05.13	■
2.0 TDI quattro (CJCA)	elec.brake detention, PR 1KW	Diesel	4WD	1968	105	143	08.09-05.13	■
2.0 TDI (CJCD)	PR 1KW, PR 2EK	Diesel	FWD	1968	110	150	05.13-05.17	■
2.0 TDI (CSUA)	PR 1KW, PR 2EK	Diesel	FWD	1968	110	150	05.13-05.17	■
2.0 TDI quattro (CJCD)	PR 1KW, PR 2EK	Diesel	4WD	1968	110	150	05.13-05.17	■
2.0 TDI quattro (CSUA)	PR 1KW, PR 2EK	Diesel	4WD	1968	110	150	05.13-05.17	■
2.0 TDI quattro (CAHB)	elec.brake detention, PR 1KW	Diesel	4WD	1968	120	163	11.08-05.17	■
2.0 TDI quattro (CGLA)	elec.brake detention, PR 1KW	Diesel	4WD	1968	120	163	11.08-05.17	■
2.0 TDI quattro (CGLD)	elec.brake detention, PR 1KW	Diesel	4WD	1968	120	163	11.08-05.17	■
2.0 TDI quattro (CNHC)	elec.brake detention, PR 1KW	Diesel	4WD	1968	120	163	11.08-05.17	■
2.0 TDI quattro (CAHA)	PR 1KW	Diesel	4WD	1968	125	170	11.08-09.12	■
2.0 TDI quattro (CGLB)	PR 1KW	Diesel	4WD	1968	125	170	11.08-09.12	■
2.0 TDI quattro (CMGA)	PR 1KW	Diesel	4WD	1968	125	170	11.08-09.12	■
2.0 TDI quattro (CGLC)	PR 1KW, PR 2EK, 09/12-	Diesel	4WD	1968	130	177	06.12-05.17	■
2.0 TDI quattro (CMGB)	PR 1KW, PR 2EK, 09/12-	Diesel	4WD	1968	130	177	06.12-05.17	■
2.0 TDI quattro (CNHA)	PR 1KW, PR 2EK	Diesel	4WD	1968	140	190	11.13-05.17	■

LISTA DE APLICACIONES - BUYERS GUIDE

3.0 TDI quattro (CCWB)	elec.brake detention, PR 1KW	Diesel	4WD	2967	155	211	11.08-09.12	■
3.0 TDI quattro (CCWA)	PR 1KW, PR 1KE	Diesel	4WD	2967	176	240	11.08-05.17	■
3.0 TDI quattro (CPNB)	PR 1KW, PR 1KE	Diesel	4WD	2967	176	240	11.08-05.17	■
3.0 TDI quattro (CDUD)	PR 1KW, PR 2EK, 09/12-	Diesel	4WD	2967	180	245	06.12-05.17	■
3.0 TDI quattro (CTBC)	PR 1KW, PR 2EK, 09/12-	Diesel	4WD	2967	184	250	06.12-05.17	■
3.0 TDI quattro (CTBA)	PR 1KW, PR 2EK	Diesel	4WD	2967	190	258	11.13-05.17	■
Q5 II (FYB, FYG) 05.16-					SUV Van (Luxury Crossover SUV-J Segment)			
3.0 SQ5 TDI Mild Hybrid quattro		Diesel/el éc.	4WD	2967	255	347	02.19-11.20	■
3.0 TDI quattro		Diesel	4WD	2967	210	286	07.17-11.20	■
Q5 II (FYB, FYG) 05.16-					SUV (Luxury Crossover SUV-J Segment)			
2.0 TFSI quattro (DAXC)		Gasolina	4WD	1984	183	249	01.17-11.20	■
2.0 TFSI quattro (DAXB)		Gasolina	4WD	1984	185	252	06.16-11.20	■
2.0 TFSI quattro (DAYB)		Gasolina	4WD	1984	185	252	06.16-11.20	■
SQ5 TFSI quattro (CWGD)		Gasolina	4WD	2995	260	354	11.16-	■
40 TFSI Mild Hybrid quattro		Gasol./el éc.	4WD	1984	150	204	10.21-	■
45 TFSI Mild hybrid quattro (DGKB)		Gasol./el éc.	4WD	1984	180	245	12.18-	■
45 TFSI Mild hybrid quattro (DNNTA)		Gasol./el éc.	4WD	1984	180	245	12.18-	■
45 TFSI Mild hybrid quattro (DPUA)		Gasol./el éc.	4WD	1984	195	265	08.20-	■
45 TFSI Mild hybrid quattro (DPVA)		Gasol./el éc.	4WD	1984	195	265	08.20-	■
50 TFSI e quattro (DLGA)		Gasol./el éc.	4WD	1984	220	299	04.19-	■
50 TFSI e quattro		Gasol./el éc.	4WD	1984	220	299	02.21-	■
55 TFSI e quattro (DLGA)		Gasol./el éc.	4WD	1984	270	367	08.19-	■
55 TFSI e quattro		Gasol./el éc.	4WD	1984	270	367	02.21-	■
30 TDI Mild Hybrid (DEZB)		Diesel/el éc.	FWD	1968	100	136	09.19-	■
35 TDI Mild Hybrid (DEZE)		Diesel/el éc.	FWD	1968	120	163	09.19-	■
40 TDI Mild Hybrid quattro (DFBA)		Diesel/el éc.	4WD	1968	150	204	09.19-	■
50 TDI Mild Hybrid quattro (DMGA)		Diesel/el éc.	4WD	2967	210	286	06.20-	■
SQ5 TDI Mild Hybrid quattro		Diesel/el éc.	4WD	2967	251	341	01.21-	■
SQ5 TDI Mild Hybrid quattro (DEWB)		Diesel/el éc.	4WD	2967	255	347	02.19-09.20	■
2.0 TDI (DEUB)		Diesel	FWD	1968	100	136	01.17-11.20	■
2.0 TDI (DEUA)		Diesel	FWD	1968	110	150	01.17-11.20	■
2.0 TDI quattro (DETB)		Diesel	4WD	1968	120	163	06.16-08.18	■
35 TDI		Diesel	FWD	1968	120	163	10.21-	■
35 TDI quattro (DETB)		Diesel	4WD	1968	120	163	08.18-11.20	■
2.0 TDI quattro (DESA)		Diesel	4WD	1968	140	190	06.16-08.18	■
2.0 TDI quattro (DETA)		Diesel	4WD	1968	140	190	06.16-08.18	■
40 TDI quattro (DESA)		Diesel	4WD	1968	140	190	10.18-	■
40 TDI quattro (DETA)		Diesel	4WD	1968	140	190	10.18-	■
45 TDI quattro (DCPE)		Diesel	4WD	2967	170	231	08.18-11.20	■
3.0 TDI quattro (DCPC)		Diesel	4WD	2967	210	286	07.17-11.20	■
50 TDI quattro (DCPC)		Diesel	4WD	2967	210	286	03.19-11.20	■

LISTA DE APLICACIONES - BUYERS GUIDE

Q5 II Sportback (FYT) 11.20-					SUV (Luxury Crossover SUV-J Segment)			
40 TFSI Mild Hybrid quattro		Gasol./el éc.	4WD	1984	150	204	10.21-	■
45 TFSI Mild hybrid quattro		Gasol./el éc.	4WD	1984	195	265	11.20-	■
50 TFSI e quattro		Gasol./el éc.	4WD	1984	220	299	02.21-	■
2.0 55 TFSI e quattro		Gasol./el éc.	4WD	1984	270	367	07.21-	■
55 TFSI e quattro		Gasol./el éc.	4WD	1984	270	367	06.21-	■
SQ5 TFSI quattro		Gasol./el éc.	4WD	2995	260	354	09.22-	■
35 TDI Mild Hybrid		Diesel/el éc.	FWD	1968	120	163	04.21-	■
40 TDI Mild Hybrid quattro		Diesel/el éc.	4WD	1968	150	204	11.20-	■
50 TDI Mild Hybrid quattro		Diesel/el éc.	4WD	2967	210	286	02.21-	■
SQ5 TDI Mild Hybrid quattro		Diesel/el éc.	4WD	2967	251	341	02.21-	■
CHEVROLET								
SILVERADO / CHEYENNE 01.95-12.07					Pickup (Pick-Up Truck)			
5.7	PR 1KW	Gasolina	FWD	5733	184	250	01.95-12.99	■
NISSAN								
PRESIDENT II (JHG50) 03.90-10.02					Saloon (Luxury car-F Segment)			
4.5 (VH45DE)	PR 1KW	Gasolina	RWD	4494	199	271	03.90-10.02	■