

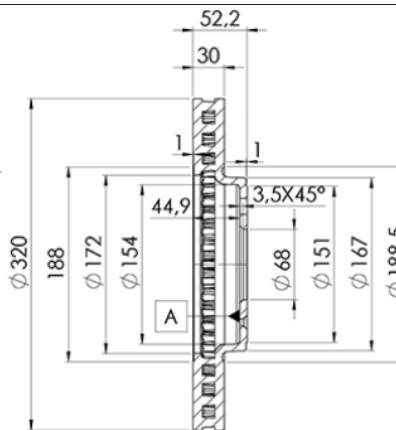
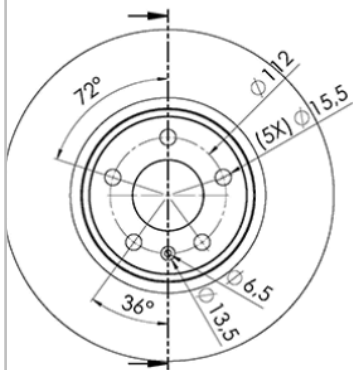
LISTA DE APLICACIONES - BUYERS GUIDE

78BD6076-2



Weight: 20.536

O.E.M.	MAKE
8K0 698 301 A	AUDI



78BD6076-2

E1 90R-02C0538/0126



Ø320x30x52.5

MAKE
AUDI
RENAULT



Trac.	CC	Kw	CV
-------	----	----	----



Front / Rear

AUDI

							Estate (Compact executive car-D Segment)				
A4 IV Allroad B8 (8KH) 04.09-06.17											
2.0 TFSI quattro (CDNC)	-06/11, PR 1LA	Gasolina	4WD	1984	155	211	04.09-05.16	■			
2.0 TFSI quattro (CPMA)	-06/11, PR 1LA	Gasolina	4WD	1984	155	211	04.09-05.16	■			
2.0 TDI quattro (CAGB)	-06/11, PR 1LA	Diesel	4WD	1968	100	136	09.09-05.16	■			
2.0 TDI quattro (CJCB)	-06/11, PR 1LA	Diesel	4WD	1968	100	136	09.09-05.16	■			
2.0 TDI quattro (CSUB)	-06/11, PR 1LA	Diesel	4WD	1968	100	136	09.09-05.16	■			
2.0 TDI quattro (CAGA)	-06/11, PR 1LA	Diesel	4WD	1968	105	143	09.09-05.16	■			
2.0 TDI quattro (CJCA)	-06/11, PR 1LA	Diesel	4WD	1968	105	143	09.09-05.16	■			
2.0 TDI quattro (CAHB)	-06/11, PR 1LA	Diesel	4WD	1968	120	163	04.09-05.16	■			
2.0 TDI quattro (CGLD)	-06/11, PR 1LA	Diesel	4WD	1968	120	163	04.09-05.16	■			
2.0 TDI quattro (CNHC)	-06/11, PR 1LA	Diesel	4WD	1968	120	163	04.09-05.16	■			
2.0 TDI quattro (CAHA)	-06/11, PR 1LA	Diesel	4WD	1968	125	170	04.09-05.16	■			
3.0 TDI quattro (CCWA)	-06/11, PR 1LA	Diesel	4WD	2967	176	240	04.09-01.12	■			
							Saloon (Compact executive car-D Segment)				
A4 IV B8 (8K2) 08.07-06.17											
1.8 T	PR 1LA	Gasolina	FWD	1781	110	150	07.08-05.10	■			
1.8 TFSI (CABA)	PR 1LA	Gasolina	FWD	1798	88	120	01.08-12.15	■			
1.8 TFSI (CDHA)	PR 1LA	Gasolina	FWD	1798	88	120	01.08-12.15	■			
1.8 TFSI (CABB)	PR 1LT, PR 1LY	Gasolina	FWD	1798	118	160	11.07-03.12	■			
1.8 TFSI (CDHB)	PR 1LT, PR 1LY	Gasolina	FWD	1798	118	160	11.07-03.12	■			
1.8 TFSI quattro (CDHB)	-06/11, PR 1LA	Gasolina	4WD	1798	118	160	09.08-03.12	■			
2.0 TFSI (CAEA)	-06/11, PR 1LA	Gasolina	FWD	1984	132	180	06.08-12.15	■			
2.0 TFSI (CDNB)	-06/11, PR 1LA	Gasolina	FWD	1984	132	180	06.08-12.15	■			
2.0 TFSI (CFKA)	-06/11, PR 1LA	Gasolina	FWD	1984	132	180	06.08-12.15	■			

LISTA DE APLICACIONES - BUYERS GUIDE

2.0 TFSI quattro (CFKA)		Gasolina	4WD	1984	132	180	11.09-03.12	■
2.0 TFSI (CAEB)	PR 1LA, -06/11	Gasolina	FWD	1984	155	211	06.08-05.13	■
2.0 TFSI (CDNC)	PR 1LA, -06/11	Gasolina	FWD	1984	155	211	06.08-05.13	■
2.0 TFSI quattro (CAEB)	-06/11, PR 1LA	Gasolina	4WD	1984	155	211	06.08-12.15	■
2.0 TFSI quattro (CDNC)	-06/11, PR 1LA	Gasolina	4WD	1984	155	211	06.08-12.15	■
2.0 TFSI quattro (CPMA)	-06/11, PR 1LA	Gasolina	4WD	1984	155	211	06.08-12.15	■
3.2 FSI (CALA)	-06/11, PR 1LA	Gasolina	FWD	3197	195	265	09.08-03.12	■
3.2 FSI quattro (CALA)	-06/11, PR 1LA	Gasolina	4WD	3197	195	265	11.07-03.12	■
2.0 TFSI flexible fuel (CFKA)	-06/11, PR 1LA	Gasol./Etanol	FWD	1984	132	180	11.09-12.15	■
2.0 TFSI flexible fuel quattro (CFKA)	-06/11, PR 1LA	Gasol./Etanol	4WD	1984	132	180	11.09-12.15	■
2.0 TDI (CAGC)	-06/11, PR 1LA	Diesel	FWD	1968	88	120	06.08-12.15	■
2.0 TDI (CJCC)	-06/11, PR 1LA	Diesel	FWD	1968	88	120	06.08-12.15	■
2.0 TDI (CAGB)	-06/11, PR 1LA	Diesel	FWD	1968	100	136	11.07-12.15	■
2.0 TDI (CJCB)	-06/11, PR 1LA	Diesel	FWD	1968	100	136	11.07-12.15	■
2.0 TDI (CSUB)	-06/11, PR 1LA	Diesel	FWD	1968	100	136	11.07-12.15	■
2.0 TDI (CAGA)	-06/11, PR 1LA	Diesel	FWD	1968	105	143	11.07-12.15	■
2.0 TDI (CJCA)	-06/11, PR 1LA	Diesel	FWD	1968	105	143	11.07-12.15	■
2.0 TDI (CMEA)	-06/11, PR 1LA	Diesel	FWD	1968	105	143	11.07-12.15	■
2.0 TDI (CMFA)	-06/11, PR 1LA	Diesel	FWD	1968	105	143	11.07-12.15	■
2.0 TDI quattro (CAGA)	-06/11, PR 1LA	Diesel	4WD	1968	105	143	11.08-12.15	■
2.0 TDI quattro (CJCA)	-06/11, PR 1LA	Diesel	4WD	1968	105	143	11.08-12.15	■
2.0 TDI (CAHB)	-06/11, PR 1LA	Diesel	FWD	1968	120	163	08.08-12.15	■
2.0 TDI (CGLD)	-06/11, PR 1LA	Diesel	FWD	1968	120	163	08.08-12.15	■
2.0 TDI (CNHC)	-06/11, PR 1LA	Diesel	FWD	1968	120	163	08.08-12.15	■
2.0 TDI (CAHA)	-06/11, PR 1LA	Diesel	FWD	1968	125	170	01.08-03.12	■
2.0 TDI quattro (CAHA)	-06/11, PR 1LA	Diesel	4WD	1968	125	170	01.08-03.12	■
2.7 TDI (CAMA)	-06/11, PR 1LA	Diesel	FWD	2698	140	190	11.07-03.12	■
2.7 TDI (CGKA)	-06/11, PR 1LA	Diesel	FWD	2698	140	190	11.07-03.12	■
3.0 TDI quattro (CCWB)	PR 1LA	Diesel	4WD	2967	155	211	06.08-05.10	■
3.0 TDI	PR 1LA	Diesel	RWD	2967	171	233	04.09-	■
3.0 TDI quattro (CAPA)	-06/11, PR 1LA	Diesel	4WD	2967	176	240	11.07-03.12	■
3.0 TDI quattro (CCLA)	-06/11, PR 1LA	Diesel	4WD	2967	176	240	11.07-03.12	■
3.0 TDI quattro (CCWA)	-06/11, PR 1LA	Diesel	4WD	2967	176	240	11.07-03.12	■
A4 IV B8 Avant (8K5) 11.07-06.17						Estate (Compact executive car-D Segment)		
1.8 TFSI (CDHA)	-06/11, PR 1LA	Gasolina	FWD	1798	88	120	04.08-12.15	■
1.8 TFSI (CABB)	04/08-, -06/11, PR 1LA	Gasolina	FWD	1798	118	160	11.07-03.12	■
1.8 TFSI (CDHB)	04/08-, -06/11, PR 1LA	Gasolina	FWD	1798	118	160	11.07-03.12	■
1.8 TFSI quattro (CDHB)	-06/11, PR 1LA	Gasolina	4WD	1798	118	160	09.08-03.12	■
2.0 TFSI (CDNB)	-06/11, PR 1LA	Gasolina	FWD	1984	132	180	06.08-12.15	■
2.0 TFSI (CFKA)	-06/11, PR 1LA	Gasolina	FWD	1984	132	180	06.08-12.15	■
2.0 TFSI (CAEB)	PR 1LA, -06/11	Gasolina	FWD	1984	155	211	06.08-05.13	■
2.0 TFSI (CDNC)	PR 1LA, -06/11	Gasolina	FWD	1984	155	211	06.08-05.13	■
2.0 TFSI quattro (CAEB)	-06/11, PR 1LA	Gasolina	4WD	1984	155	211	06.08-12.15	■
2.0 TFSI quattro (CDNC)	-06/11, PR 1LA	Gasolina	4WD	1984	155	211	06.08-12.15	■
3.2 FSI (CALA)	-06/11, PR 1LA	Gasolina	FWD	3197	195	265	09.08-03.12	■
3.2 FSI quattro (CALA)	-06/11, PR 1LA	Gasolina	4WD	3197	195	265	04.08-03.12	■
2.0 TFSI flexible fuel (CFKA)	-06/11, PR 1LA	Gasol./Etanol	FWD	1984	132	180	11.09-12.15	■
2.0 TFSI flexible fuel quattro (CFKA)	-06/11, PR 1LA	Gasol./Etanol	4WD	1984	132	180	11.09-12.15	■
2.0 TDI (CAGC)	-06/11, PR 1LA	Diesel	FWD	1968	88	120	06.08-12.15	■

LISTA DE APLICACIONES - BUYERS GUIDE

2.0 TDI (CJCC)	-06/11, PR 1LA	Diesel	FWD	1968	88	120	06.08-12.15	■	
2.0 TDI (CAGB)	-06/11, PR 1LA	Diesel	FWD	1968	100	136	04.08-12.15	■	
2.0 TDI (CJCB)	-06/11, PR 1LA	Diesel	FWD	1968	100	136	04.08-12.15	■	
2.0 TDI (CSUB)	-06/11, PR 1LA	Diesel	FWD	1968	100	136	04.08-12.15	■	
2.0 TDI 16V	-06/11, PR 1LA	Diesel	FWD	1968	103	140	07.08-	■	
2.0 TDI (CAGA)	-06/11, PR 1LA	Diesel	FWD	1968	105	143	04.08-12.15	■	
2.0 TDI (CJCA)	-06/11, PR 1LA	Diesel	FWD	1968	105	143	04.08-12.15	■	
2.0 TDI (CMEA)	-06/11, PR 1LA	Diesel	FWD	1968	105	143	04.08-12.15	■	
2.0 TDI (CMFA)	-06/11, PR 1LA	Diesel	FWD	1968	105	143	04.08-12.15	■	
2.0 TDI quattro (CAGA)	PR 1LA, -06/11	Diesel	4WD	1968	105	143	04.08-12.15	■	
2.0 TDI quattro (CJCA)	PR 1LA, -06/11	Diesel	4WD	1968	105	143	04.08-12.15	■	
2.0 TDI (CAHB)	-06/11, PR 1LA	Diesel	FWD	1968	120	163	08.08-12.15	■	
2.0 TDI (CGLD)	-06/11, PR 1LA	Diesel	FWD	1968	120	163	08.08-12.15	■	
2.0 TDI (CNHC)	-06/11, PR 1LA	Diesel	FWD	1968	120	163	08.08-12.15	■	
2.0 TDI (CAHA)	-06/11, PR 1LA	Diesel	FWD	1968	125	170	04.08-03.12	■	
2.0 TDI quattro (CAHA)	-06/11, PR 1LA	Diesel	4WD	1968	125	170	08.08-03.12	■	
2.7 TDI (CAMB)	-06/11, PR 1LA	Diesel	FWD	2698	120	163	04.08-03.12	■	
2.7 TDI (CGKB)	-06/11, PR 1LA	Diesel	FWD	2698	120	163	04.08-03.12	■	
2.7 TDI (CAMA)	PR 1LA	Diesel	FWD	2698	140	190	04.08-03.12	■	
2.7 TDI (CGKA)	PR 1LA	Diesel	FWD	2698	140	190	04.08-03.12	■	
3.0 TDI quattro (CAPA)	-06/11, PR 1LA	Diesel	4WD	2967	176	240	04.08-03.12	■	
3.0 TDI quattro (CCLA)	-06/11, PR 1LA	Diesel	4WD	2967	176	240	04.08-03.12	■	
3.0 TDI quattro (CCWA)	-06/11, PR 1LA	Diesel	4WD	2967	176	240	04.08-03.12	■	
A5 (8F7) 02.09-10.17							Convertible (Compact executive car-D Segment)		
1.8 TFSI (CDHB)	-06/11, PR 1LA, PR 1LB	Gasolina	FWD	1798	118	160	09.09-03.12	■	
2.0 TFSI (CAEA)	-06/11, PR 1LA, PR 1LB	Gasolina	FWD	1984	132	180	03.09-03.12	■	
2.0 TFSI (CDNB)	-06/11, PR 1LA, PR 1LB	Gasolina	FWD	1984	132	180	03.09-03.12	■	
2.0 TFSI (CAEB)	-06/11, PR 1LA, PR 1LB	Gasolina	FWD	1984	155	211	03.09-06.14	■	
2.0 TFSI (CDNC)	-06/11, PR 1LA, PR 1LB	Gasolina	FWD	1984	155	211	03.09-06.14	■	
2.0 TFSI quattro (CAEB)	-06/11, PR 1LA, PR 1LB	Gasolina	4WD	1984	155	211	03.09-01.17	■	
2.0 TFSI quattro (CDNC)	-06/11, PR 1LA, PR 1LB	Gasolina	4WD	1984	155	211	03.09-01.17	■	
2.0 TFSI quattro (CPMA)	-06/11, PR 1LA, PR 1LB	Gasolina	4WD	1984	155	211	03.09-01.17	■	
3.2 FSI (CALA)	-06/11, PR 1LA, PR 1LB	Gasolina	FWD	3197	195	265	03.09-03.12	■	
3.2 FSI quattro (CALA)	-06/11, PR 1LA, PR 1LB	Gasolina	4WD	3197	195	265	03.09-03.12	■	
2.0 TDI (CAHA)	-06/11, PR 1LA, PR 1LB	Diesel	FWD	1968	125	170	05.09-03.12	■	
2.7 TDI (CGKB)	PR 1LA	Diesel	FWD	2698	120	163	05.09-03.12	■	
2.7 TDI (CGKA)	-06/11, PR 1LA, PR 1LB	Diesel	FWD	2698	140	190	03.09-03.12	■	
3.0 TDI quattro (CCWA)	-06/11, PR 1LA, PR 1LB	Diesel	4WD	2967	176	240	03.09-03.12	■	
A5 (8T3) 06.07-10.17							Coupe (Compact executive car-D Segment)		
1.8 TFSI (CDHB)	-06/11, PR 1LA	Gasolina	FWD	1798	118	160	05.09-09.11	■	
1.8 TFSI (CABD)	-06/11, PR 1LA	Gasolina	FWD	1798	125	170	10.07-01.17	■	
1.8 TFSI (CJEB)	-06/11, PR 1LA	Gasolina	FWD	1798	125	170	10.07-01.17	■	
2.0 TFSI (CDNB)	-06/11, PR 1LA	Gasolina	FWD	1984	132	180	11.08-03.12	■	
2.0 TFSI (CDNC)	-06/11, PR 1LA	Gasolina	FWD	1984	155	211	06.08-11.13	■	
2.0 TFSI quattro (CAEB)	-06/11, PR 1LA	Gasolina	4WD	1984	155	211	06.08-01.17	■	
2.0 TFSI quattro (CDNC)	-06/11, PR 1LA	Gasolina	4WD	1984	155	211	06.08-01.17	■	
2.0 TFSI quattro (CPMA)	-06/11, PR 1LA	Gasolina	4WD	1984	155	211	06.08-01.17	■	
3.2 FSI (CALA)	07/07-, -06/11, PR 1LA	Gasolina	FWD	3197	195	265	06.07-03.12	■	
3.2 FSI quattro (CALA)	07/07-, -06/11, PR 1LA	Gasolina	4WD	3197	195	265	06.07-03.12	■	
2.0 TDI (CAHA)	PR 1LA, -06/11	Diesel	FWD	1968	125	170	08.08-03.12	■	

LISTA DE APLICACIONES - BUYERS GUIDE

2.0 TDI quattro (CAHA)	-06/11, PR 1LA	Diesel	4WD	1968	125	170	08.08-03.12	■	
2.7 TDI (CAMB)	-06/11, PR 1LA	Diesel	FWD	2698	120	163	09.07-03.12	■	
2.7 TDI (CGKB)	-06/11, PR 1LA	Diesel	FWD	2698	120	163	09.07-03.12	■	
2.7 TDI (CAMA)	07/07-, -06/11, PR 1LA	Diesel	FWD	2698	140	190	06.07-03.12	■	
2.7 TDI (CGKA)	07/07-, -06/11, PR 1LA	Diesel	FWD	2698	140	190	06.07-03.12	■	
3.0 TDI quattro (CCWB)	PR 1LA	Diesel	4WD	2967	155	211	03.08-05.10	■	
3.0 TDI quattro (CAPA)	07/07-, -06/11, PR 1LA	Diesel	4WD	2967	176	240	06.07-03.12	■	
3.0 TDI quattro (CCWA)	07/07-, -06/11, PR 1LA	Diesel	4WD	2967	176	240	06.07-03.12	■	
A5 Sportback (8TA) 07.07-10.17					Hatchback (Compact executive car-D Segment)				
1.8 TFSI (CDHB)	-06/11, PR 1LA	Gasolina	FWD	1798	118	160	11.09-09.11	■	
2.0 TFSI (CDNB)	PR 1LA	Gasolina	FWD	1984	132	180	09.09-06.14	■	
2.0 TFSI (CDNC)	-06/11, PR 1LA	Gasolina	FWD	1984	155	211	09.09-11.13	■	
2.0 TFSI quattro (CDNC)	-06/11, PR 1LA	Gasolina	4WD	1984	155	211	09.09-01.17	■	
3.2 FSI quattro (CALA)	-06/11, PR 1LA	Gasolina	4WD	3197	195	265	09.09-03.12	■	
2.0 TDI (CAGB)	PR 1LA	Diesel	FWD	1968	100	136	09.09-01.17	■	
2.0 TDI (CJCB)	PR 1LA	Diesel	FWD	1968	100	136	09.09-01.17	■	
2.0 TDI (CSUB)	PR 1LA	Diesel	FWD	1968	100	136	09.09-01.17	■	
2.0 TDI (CAGA)	-06/11, PR 1LA	Diesel	FWD	1968	105	143	09.09-01.17	■	
2.0 TDI (CJCA)	-06/11, PR 1LA	Diesel	FWD	1968	105	143	09.09-01.17	■	
2.0 TDI (CMEA)	-06/11, PR 1LA	Diesel	FWD	1968	105	143	09.09-01.17	■	
2.0 TDI (CMFA)	-06/11, PR 1LA	Diesel	FWD	1968	105	143	09.09-01.17	■	
2.0 TDI (CAHB)	PR 1LA	Diesel	FWD	1968	120	163	09.09-01.17	■	
2.0 TDI (CGLD)	PR 1LA	Diesel	FWD	1968	120	163	09.09-01.17	■	
2.0 TDI (CNHC)	PR 1LA	Diesel	FWD	1968	120	163	09.09-01.17	■	
2.0 TDI (CAHA)	-06/11, PR 1LA	Diesel	FWD	1968	125	170	09.09-03.12	■	
2.0 TDI quattro (CAHA)	-06/11, PR 1LA	Diesel	4WD	1968	125	170	09.09-03.12	■	
2.7 TDI (CGKB)	PR 1LA	Diesel	FWD	2698	120	163	09.09-03.12	■	
2.7 TDI (CAMA)	-06/11, PR 1LA	Diesel	FWD	2698	140	190	09.09-03.12	■	
2.7 TDI (CGKA)	-06/11, PR 1LA	Diesel	FWD	2698	140	190	09.09-03.12	■	
3.0 TDI quattro (CCWA)	-06/11, PR 1LA	Diesel	4WD	2967	176	240	09.09-03.12	■	
Q5 (U.S.A. 8R) 09.08-12.10					Closed Off-Road Vehicle (Luxury Crossover SUV-J Segment)				
3.2	03/09-, -06/11, PR 1LA	Gasolina	FWD		201	274	09.08-12.10	■	
Q5 (8RB) 11.08-12.17					SUV Van (Luxury Crossover SUV-J Segment)				
2.0 TFSI quattro	03/09-, -06/11, PR 1LA	Gasolina	4WD	1984	155	211	11.08-09.12	■	
3.2 FSI quattro	03/09-, -06/11, PR 1LA	Gasolina	4WD	3197	199	271	11.08-09.12	■	
2.0 TDI	PR 1LA	Diesel	FWD	1968	100	136	05.14-05.17	■	
2.0 TDI	PR 1LA	Diesel	FWD	1968	105	143	11.11-05.13	■	
2.0 TDI quattro	03/09-, -06/11, PR 1LA	Diesel	4WD	1968	125	170	11.08-09.12	■	
3.0 TDI quattro	03/09-, -06/11, PR 1LA	Diesel	4WD	2967	176	239	11.08-04.13	■	
Q5 (8RB) 11.08-					SUV (Luxury Crossover SUV-J Segment)				
2.0 TFSI quattro (CDNB)	-06/11, PR 1LA	Gasolina	4WD	1984	132	180	08.09-05.17	■	
2.0 TFSI quattro (CNCB)	-06/11, PR 1LA	Gasolina	4WD	1984	132	180	08.09-05.17	■	
2.0 TFSI quattro (CAEB)	03/09-, -06/11, PR 1LA	Gasolina	4WD	1984	155	211	11.08-09.12	■	
2.0 TFSI quattro (CDNC)	03/09-, -06/11, PR 1LA	Gasolina	4WD	1984	155	211	11.08-09.12	■	
3.2 FSI quattro (CALB)	03/09-, -06/11, PR 1LA	Gasolina	4WD	3197	199	270	11.08-12.12	■	
2.0 TFSI Hybrid quattro (CHJA)	PR 1LA	Gasol./el éc.	4WD	1984	180	245	06.11-06.16	■	
2.0 TDI (CJCB)	-06/11, PR 1LA	Diesel	FWD	1968	100	136	11.10-05.17	■	
2.0 TDI (CSUB)	-06/11, PR 1LA	Diesel	FWD	1968	100	136	11.10-05.17	■	
2.0 TDI (CJCA)	-06/11, PR 1LA	Diesel	FWD	1968	105	143	11.10-05.13	■	

LISTA DE APLICACIONES - BUYERS GUIDE

2.0 TDI quattro (CAGA)	-06/11, PR 1LA	Diesel	4WD	1968	105	143	08.09-05.13	■
2.0 TDI quattro (CJCA)	-06/11, PR 1LA	Diesel	4WD	1968	105	143	08.09-05.13	■
2.0 TDI quattro (CAHA)	03/09-, -06/11, PR 1LA	Diesel	4WD	1968	125	170	11.08-09.12	■
2.0 TDI quattro (CGLB)	03/09-, -06/11, PR 1LA	Diesel	4WD	1968	125	170	11.08-09.12	■
2.0 TDI quattro (CMGA)	03/09-, -06/11, PR 1LA	Diesel	4WD	1968	125	170	11.08-09.12	■
3.0 TDI quattro (CCWA)	03/09-, -06/11, PR 1LA	Diesel	4WD	2967	176	240	11.08-05.17	■
3.0 TDI quattro (CPNB)	03/09-, -06/11, PR 1LA	Diesel	4WD	2967	176	240	11.08-05.17	■

RENAULT

SCÉNIC III (JZ0/1_) 12.08-

MPV (Compact MPV-M1 Segment)

2.0 dCi (JZ0L) (M9R 610)	-06/11, PR 1LA	Diesel	FWD	1995	118	160	04.09-09.16	■
--------------------------	----------------	--------	-----	------	-----	-----	-------------	---