

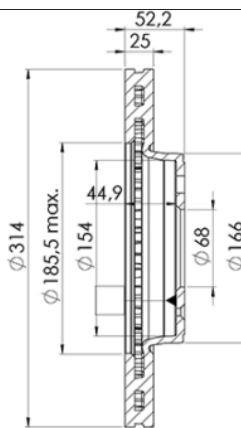
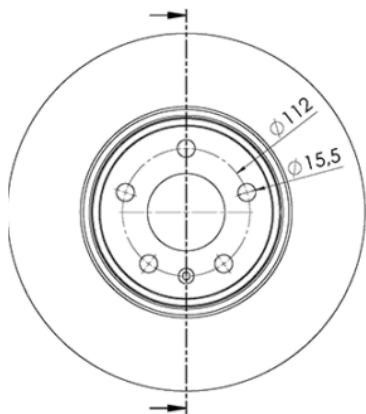
LISTA DE APLICACIONES - BUYERS GUIDE

78BD6077-2



Weight: 17.076

O.E.M.	MAKE
8K0 615 301	AUDI



78BD6077-2



Ø314x25x52.3

MAKE
AUDI



Trac.	CC	Kw	CV
-------	----	----	----



Front / Rear

AUDI

A4 IV Allroad B8 (8KH) 04.09-06.17							Estate (Compact executive car-D Segment)			
2.0 TFSI quattro (CDNC)	PR 1LT	Gasolina	4WD	1984	155	211	04.09-05.16	■		
2.0 TFSI quattro (CPMA)	PR 1LT	Gasolina	4WD	1984	155	211	04.09-05.16	■		
2.0 TFSI quattro (CPMB)	PR 1LT	Gasolina	4WD	1984	162	220	05.13-05.16	■		
2.0 TFSI quattro (CNCD)	PR 1LT	Gasolina	4WD	1984	165	224	05.13-05.16	■		
2.0 TDI quattro (CAGB)	PR 1LT	Diesel	4WD	1968	100	136	09.09-05.16	■		
2.0 TDI quattro (CJCB)	PR 1LT	Diesel	4WD	1968	100	136	09.09-05.16	■		
2.0 TDI quattro (CSUB)	PR 1LT	Diesel	4WD	1968	100	136	09.09-05.16	■		
2.0 TDI quattro (CAGA)	PR 1LT	Diesel	4WD	1968	105	143	09.09-05.16	■		
2.0 TDI quattro (CJCA)	PR 1LT	Diesel	4WD	1968	105	143	09.09-05.16	■		
2.0 TDI quattro (CJCD)	PR 1LT	Diesel	4WD	1968	110	150	05.13-05.16	■		
2.0 TDI quattro (CSUA)	PR 1LT	Diesel	4WD	1968	110	150	05.13-05.16	■		
2.0 TDI quattro (CAHB)	PR 1LT	Diesel	4WD	1968	120	163	04.09-05.16	■		
2.0 TDI quattro (CGLD)	PR 1LT	Diesel	4WD	1968	120	163	04.09-05.16	■		
2.0 TDI quattro (CNHC)	PR 1LT	Diesel	4WD	1968	120	163	04.09-05.16	■		
2.0 TDI quattro (CAHA)	PR 1LT	Diesel	4WD	1968	125	170	04.09-05.16	■		
2.0 TDI quattro (CGLC)	PR 1LT	Diesel	4WD	1968	130	177	11.11-05.16	■		
2.0 TDI quattro (CNHA)	PR 1LT	Diesel	4WD	1968	140	190	09.13-05.16	■		
3.0 TDI quattro (CCWA)	PR 1LT	Diesel	4WD	2967	176	240	04.09-01.12	■		
3.0 TDI quattro (CDUC)	PR 1LT	Diesel	4WD	2967	180	245	01.12-05.16	■		
3.0 TDI quattro (CKVB)	PR 1LT	Diesel	4WD	2967	180	245	01.12-05.16	■		
3.0 TDI quattro (CKVC)	PR 1LT	Diesel	4WD	2967	180	245	01.12-05.16	■		

LISTA DE APLICACIONES - BUYERS GUIDE

A4 IV B8 (8K2) 08.07-06.17					Saloon (Compact executive car-D Segment)			
1.8 T	PR 1LT, PR 1LY	Gasolina	FWD	1781	110	150	07.08-05.10	■
1.8 TFSI (CABA)	PR 1LT, PR 1LY	Gasolina	FWD	1798	88	120	01.08-12.15	■
1.8 TFSI (CDHA)	PR 1LT, PR 1LY	Gasolina	FWD	1798	88	120	01.08-12.15	■
1.8 TFSI (CABB)	PR 1LT, PR 1LY	Gasolina	FWD	1798	118	160	11.07-03.12	■
1.8 TFSI (CDHB)	PR 1LT, PR 1LY	Gasolina	FWD	1798	118	160	11.07-03.12	■
1.8 TFSI quattro (CDHB)	PR 1LT, PR 1LY	Gasolina	4WD	1798	118	160	09.08-03.12	■
1.8 TFSI (CJEB)	PR 1LT, PR 1LY	Gasolina	FWD	1798	125	170	11.11-12.15	■
1.8 TFSI quattro (CJEB)	PR 1LT, PR 1LY	Gasolina	4WD	1798	125	170	11.11-12.15	■
2.0 TFSI (CAEA)	PR 1LT, PR 1LY	Gasolina	FWD	1984	132	180	06.08-12.15	■
2.0 TFSI (CDNB)	PR 1LT, PR 1LY	Gasolina	FWD	1984	132	180	06.08-12.15	■
2.0 TFSI (CFKA)	PR 1LT, PR 1LY	Gasolina	FWD	1984	132	180	06.08-12.15	■
2.0 TFSI quattro (CFKA)		Gasolina	4WD	1984	132	180	11.09-03.12	■
2.0 TFSI (CAEB)	PR 1LT, PR 1LY	Gasolina	FWD	1984	155	211	06.08-05.13	■
2.0 TFSI (CDNC)	PR 1LT, PR 1LY	Gasolina	FWD	1984	155	211	06.08-05.13	■
2.0 TFSI quattro (CAEB)	PR 1LT, PR 1LY	Gasolina	4WD	1984	155	211	06.08-12.15	■
2.0 TFSI quattro (CDNC)	PR 1LT, PR 1LY	Gasolina	4WD	1984	155	211	06.08-12.15	■
2.0 TFSI quattro (CPMA)	PR 1LT, PR 1LY	Gasolina	4WD	1984	155	211	06.08-12.15	■
2.0 TFSI (CAED)	PR 1LT, PR 1LY	Gasolina	FWD	1984	162	220	05.13-12.15	■
2.0 TFSI quattro (CAED)	PR 1LT, PR 1LY	Gasolina	4WD	1984	162	220	05.13-12.15	■
2.0 TFSI quattro (CPMB)	PR 1LT, PR 1LY	Gasolina	4WD	1984	162	220	05.13-12.15	■
2.0 TFSI (CNCD)	PR 1LT, PR 1LY	Gasolina	FWD	1984	165	224	05.13-12.15	■
2.0 TFSI quattro (CNCD)	PR 1LT, PR 1LY	Gasolina	4WD	1984	165	224	05.13-12.15	■
3.0 TFSI quattro (CMUA)	PR 1LT, PR 1LY	Gasolina	4WD	2995	200	272	02.12-12.15	■
3.0 TFSI quattro (CRED)	PR 1LT, PR 1LY	Gasolina	4WD	2995	200	272	02.12-12.15	■
3.2 FSI (CALA)	PR 1LT, PR 1LY	Gasolina	FWD	3197	195	265	09.08-03.12	■
3.2 FSI quattro (CALA)	PR 1LT, PR 1LY	Gasolina	4WD	3197	195	265	11.07-03.12	■
2.0 TFSI flexible fuel (CFKA)	PR 1LT, PR 1LY	Gasol./Etanol	FWD	1984	132	180	11.09-12.15	■
2.0 TFSI flexible fuel quattro (CFKA)	PR 1LT, PR 1LY	Gasol./Etanol	4WD	1984	132	180	11.09-12.15	■
2.0 TDI (CAGC)	PR 1LT, PR 1LY	Diesel	FWD	1968	88	120	06.08-12.15	■
2.0 TDI (CJCC)	PR 1LT, PR 1LY	Diesel	FWD	1968	88	120	06.08-12.15	■
2.0 TDI (CAGB)	PR 1LT, PR 1LY	Diesel	FWD	1968	100	136	11.07-12.15	■
2.0 TDI (CJCB)	PR 1LT, PR 1LY	Diesel	FWD	1968	100	136	11.07-12.15	■
2.0 TDI (CSUB)	PR 1LT, PR 1LY	Diesel	FWD	1968	100	136	11.07-12.15	■
2.0 TDI (CAGA)	PR 1LT, PR 1LY	Diesel	FWD	1968	105	143	11.07-12.15	■
2.0 TDI (CJCA)	PR 1LT, PR 1LY	Diesel	FWD	1968	105	143	11.07-12.15	■
2.0 TDI (CMEA)	PR 1LT, PR 1LY	Diesel	FWD	1968	105	143	11.07-12.15	■
2.0 TDI (CMFA)	PR 1LT, PR 1LY	Diesel	FWD	1968	105	143	11.07-12.15	■
2.0 TDI quattro (CAGA)	PR 1LT, PR 1LY	Diesel	4WD	1968	105	143	11.08-12.15	■
2.0 TDI quattro (CJCA)	PR 1LT, PR 1LY	Diesel	4WD	1968	105	143	11.08-12.15	■
2.0 TDI (CJCD)	PR 1LT, PR 1LY	Diesel	FWD	1968	110	150	05.13-12.15	■
2.0 TDI (CMFB)	PR 1LT, PR 1LY	Diesel	FWD	1968	110	150	05.13-12.15	■
2.0 TDI (CSUA)	PR 1LT, PR 1LY	Diesel	FWD	1968	110	150	05.13-12.15	■
2.0 TDI quattro (CJCD)	PR 1LT, PR 1LY	Diesel	4WD	1968	110	150	05.13-12.15	■
2.0 TDI quattro (CSUA)	PR 1LT, PR 1LY	Diesel	4WD	1968	110	150	05.13-12.15	■
2.0 TDI (CAHB)	PR 1LT, PR 1LY	Diesel	FWD	1968	120	163	08.08-12.15	■
2.0 TDI (CGLD)	PR 1LT, PR 1LY	Diesel	FWD	1968	120	163	08.08-12.15	■
2.0 TDI (CNHC)	PR 1LT, PR 1LY	Diesel	FWD	1968	120	163	08.08-12.15	■
2.0 TDI (CAHA)	PR 1LT, PR 1LY	Diesel	FWD	1968	125	170	01.08-03.12	■
2.0 TDI quattro (CAHA)	PR 1LT, PR 1LY	Diesel	4WD	1968	125	170	01.08-03.12	■

LISTA DE APLICACIONES - BUYERS GUIDE

2.0 TDI (CGLC)	PR 1LT, PR 1LY	Diesel	FWD	1968	130	177	11.11-12.15	■
2.0 TDI (CMGB)	PR 1LT, PR 1LY	Diesel	FWD	1968	130	177	11.11-12.15	■
2.0 TDI quattro (CGLC)		Diesel	4WD	1968	130	177	11.11-12.15	■
2.0 TDI (CNHA)	PR 1LT, PR 1LY	Diesel	FWD	1968	140	190	09.13-12.15	■
2.0 TDI quattro (CNHA)	PR 1LT, PR 1LY	Diesel	4WD	1968	140	190	09.13-12.15	■
2.7 TDI (CAMA)	PR 1LT, PR 1LY	Diesel	FWD	2698	140	190	11.07-03.12	■
2.7 TDI (CGKA)	PR 1LT, PR 1LY	Diesel	FWD	2698	140	190	11.07-03.12	■
3.0 TDI (CLAB)	PR 1LT, PR 1LY	Diesel	FWD	2967	150	204	11.11-12.15	■
3.0 TDI quattro (CCWB)	PR 1LT, PR 1LY	Diesel	4WD	2967	155	211	06.08-05.10	■
3.0 TDI	PR 1LT, PR 1LY	Diesel	RWD	2967	171	233	04.09-	■
3.0 TDI quattro (CAPA)	PR 1LT, PR 1LY	Diesel	4WD	2967	176	240	11.07-03.12	■
3.0 TDI quattro (CCLA)	PR 1LT, PR 1LY	Diesel	4WD	2967	176	240	11.07-03.12	■
3.0 TDI quattro (CCWA)	PR 1LT, PR 1LY	Diesel	4WD	2967	176	240	11.07-03.12	■
3.0 TDI quattro (CDUC)	PR 1LT, PR 1LY	Diesel	4WD	2967	180	245	11.11-12.15	■
3.0 TDI quattro (CKVB)	PR 1LT, PR 1LY	Diesel	4WD	2967	180	245	11.11-12.15	■
3.0 TDI quattro (CKVC)	PR 1LT, PR 1LY	Diesel	4WD	2967	180	245	11.11-12.15	■
A4 IV B8 Avant (8K5) 11.07-06.17					Estate (Compact executive car-D Segment)			
1.8 TFSI (CDHA)	PR 1LT, PR 1LY	Gasolina	FWD	1798	88	120	04.08-12.15	■
1.8 TFSI (CABB)	PR 1LT, PR 1LY	Gasolina	FWD	1798	118	160	11.07-03.12	■
1.8 TFSI (CDHB)	PR 1LT, PR 1LY	Gasolina	FWD	1798	118	160	11.07-03.12	■
1.8 TFSI quattro (CDHB)	PR 1LT, PR 1LY	Gasolina	4WD	1798	118	160	09.08-03.12	■
1.8 TFSI (CJEB)	PR 1LT, PR 1LY	Gasolina	FWD	1798	125	170	11.11-12.15	■
1.8 TFSI quattro (CJEB)	PR 1LT, PR 1LY	Gasolina	4WD	1798	125	170	11.11-12.15	■
2.0 TFSI (CDNB)	PR 1LT, PR 1LY	Gasolina	FWD	1984	132	180	06.08-12.15	■
2.0 TFSI (CFKA)	PR 1LT, PR 1LY	Gasolina	FWD	1984	132	180	06.08-12.15	■
2.0 TFSI (CAEB)	PR 1LT, PR 1LY	Gasolina	FWD	1984	155	211	06.08-05.13	■
2.0 TFSI (CDNC)	PR 1LT, PR 1LY	Gasolina	FWD	1984	155	211	06.08-05.13	■
2.0 TFSI quattro (CAEB)	PR 1LT, PR 1LY	Gasolina	4WD	1984	155	211	06.08-12.15	■
2.0 TFSI quattro (CDNC)	PR 1LT, PR 1LY	Gasolina	4WD	1984	155	211	06.08-12.15	■
2.0 TFSI (CNCD)	PR 1LT, PR 1LY	Gasolina	FWD	1984	165	224	05.13-12.15	■
2.0 TFSI quattro (CNCD)	PR 1LT, PR 1LY	Gasolina	4WD	1984	165	224	05.13-12.15	■
3.0 TFSI quattro (CMUA)	PR 1LT, PR 1LY	Gasolina	4WD	2995	200	272	02.12-12.15	■
3.0 TFSI quattro (CRED)	PR 1LT, PR 1LY	Gasolina	4WD	2995	200	272	02.12-12.15	■
3.2 FSI (CALA)	PR 1LT, PR 1LY	Gasolina	FWD	3197	195	265	09.08-03.12	■
3.2 FSI quattro (CALA)	PR 1LT	Gasolina	4WD	3197	195	265	04.08-03.12	■
2.0 TFSI flexible fuel (CFKA)	PR 1LT, PR 1LY	Gasol./Etanol	FWD	1984	132	180	11.09-12.15	■
2.0 TFSI flexible fuel quattro (CFKA)	PR 1LT, PR 1LY	Gasol./Etanol	4WD	1984	132	180	11.09-12.15	■
2.0 TDI (CAGC)	PR 1LT, PR 1LY	Diesel	FWD	1968	88	120	06.08-12.15	■
2.0 TDI (CJCC)	PR 1LT, PR 1LY	Diesel	FWD	1968	88	120	06.08-12.15	■
2.0 TDI (CAGB)	PR 1LT, PR 1LY	Diesel	FWD	1968	100	136	04.08-12.15	■
2.0 TDI (CJCB)	PR 1LT, PR 1LY	Diesel	FWD	1968	100	136	04.08-12.15	■
2.0 TDI (CSUB)	PR 1LT, PR 1LY	Diesel	FWD	1968	100	136	04.08-12.15	■
2.0 TDI 16V	PR 1LT, PR 1LY	Diesel	FWD	1968	103	140	07.08-	■
2.0 TDI (CAGA)	PR 1LT, PR 1LY	Diesel	FWD	1968	105	143	04.08-12.15	■
2.0 TDI (CJCA)	PR 1LT, PR 1LY	Diesel	FWD	1968	105	143	04.08-12.15	■
2.0 TDI (CMEA)	PR 1LT, PR 1LY	Diesel	FWD	1968	105	143	04.08-12.15	■
2.0 TDI (CMFA)	PR 1LT, PR 1LY	Diesel	FWD	1968	105	143	04.08-12.15	■
2.0 TDI quattro (CAGA)	PR 1LT, PR 1LY	Diesel	4WD	1968	105	143	04.08-12.15	■
2.0 TDI quattro (CJCA)	PR 1LT, PR 1LY	Diesel	4WD	1968	105	143	04.08-12.15	■
2.0 TDI (CJCD)	PR 1LT, PR 1LY	Diesel	FWD	1968	110	150	05.13-12.15	■

LISTA DE APLICACIONES - BUYERS GUIDE

2.0 TDI (CMFB)	PR 1LT, PR 1LY	Diesel	FWD	1968	110	150	05.13-12.15	■
2.0 TDI (CSUA)	PR 1LT, PR 1LY	Diesel	FWD	1968	110	150	05.13-12.15	■
2.0 TDI quattro (CJCD)	PR 1LT, PR 1LY	Diesel	4WD	1968	110	150	05.13-12.15	■
2.0 TDI quattro (CSUA)	PR 1LT, PR 1LY	Diesel	4WD	1968	110	150	05.13-12.15	■
2.0 TDI (CAHB)	PR 1LT, PR 1LY	Diesel	FWD	1968	120	163	08.08-12.15	■
2.0 TDI (CGLD)	PR 1LT, PR 1LY	Diesel	FWD	1968	120	163	08.08-12.15	■
2.0 TDI (CNHC)	PR 1LT, PR 1LY	Diesel	FWD	1968	120	163	08.08-12.15	■
2.0 TDI (CAHA)	PR 1LT, PR 1LY	Diesel	FWD	1968	125	170	04.08-03.12	■
2.0 TDI quattro (CAHA)	PR 1LT, PR 1LY	Diesel	4WD	1968	125	170	08.08-03.12	■
2.0 TDI (CGLC)	PR 1LT, PR 1LY	Diesel	FWD	1968	130	177	11.11-12.15	■
2.0 TDI quattro (CGLC)	PR 1LT, PR 1LY	Diesel	4WD	1968	130	177	11.11-12.15	■
2.0 TDI (CNHA)	PR 1LT, PR 1LY	Diesel	FWD	1968	140	190	09.13-12.15	■
2.0 TDI quattro (CNHA)	PR 1LT, PR 1LY	Diesel	4WD	1968	140	190	09.13-12.15	■
2.7 TDI (CAMB)	PR 1LT, PR 1LY	Diesel	FWD	2698	120	163	04.08-03.12	■
2.7 TDI (CGKB)	PR 1LT, PR 1LY	Diesel	FWD	2698	120	163	04.08-03.12	■
2.7 TDI (CAMA)	PR 1LT, PR 1LY	Diesel	FWD	2698	140	190	04.08-03.12	■
2.7 TDI (CGKA)	PR 1LT, PR 1LY	Diesel	FWD	2698	140	190	04.08-03.12	■
3.0 TDI (CLAB)	PR 1LT, PR 1LY	Diesel	FWD	2967	150	204	11.11-12.15	■
3.0 TDI quattro (CAPA)	PR 1LT, PR 1LY	Diesel	4WD	2967	176	240	04.08-03.12	■
3.0 TDI quattro (CCLA)	PR 1LT, PR 1LY	Diesel	4WD	2967	176	240	04.08-03.12	■
3.0 TDI quattro (CCWA)	PR 1LT, PR 1LY	Diesel	4WD	2967	176	240	04.08-03.12	■
3.0 TDI quattro (CDUC)	PR 1LT, PR 1LY	Diesel	4WD	2967	180	245	11.11-12.15	■
3.0 TDI quattro (CKVB)	PR 1LT, PR 1LY	Diesel	4WD	2967	180	245	11.11-12.15	■
3.0 TDI quattro (CKVC)	PR 1LT, PR 1LY	Diesel	4WD	2967	180	245	11.11-12.15	■
A4 V Allroad B9 (8WH, 8WJ) 01.16-					Estate (Compact executive car-D Segment)			
2.0 TFSI quattro (CYRC)		Gasolina	4WD	1984	183	249	05.16-10.19	■
2.0 TFSI quattro (CYMC)		Gasolina	4WD	1984	185	252	01.16-	■
2.0 TFSI quattro (CYRB)		Gasolina	4WD	1984	185	252	01.16-	■
45 TFSI Mild hybrid quattro (DKNA)		Gasol./el éc.	4WD	1984	180	245	07.18-	■
2.0 TFSI Mild Hybrid quattro (DDWA)		Gasol./el éc.	4WD	1984	185	252	11.18-10.19	■
45 TFSI Mild hybrid quattro (DMTA)		Gasol./el éc.	4WD	1984	195	265	08.20-	■
40 TDI Mild Hybrid quattro (DTPA)		Diesel/el éc.	4WD	1968	150	204	09.20-	■
50 TDI Mild Hybrid quattro		Diesel/el éc.	4WD	2967	210	286	08.20-	■
2.0 TDI quattro (DEUB)		Diesel	4WD	1968	100	136	11.16-07.18	■
2.0 TDI quattro (DEUA)		Diesel	4WD	1968	110	150	11.16-10.19	■
2.0 TDI quattro (DETB)		Diesel	4WD	1968	120	163	05.16-10.19	■
2.0 TDI quattro (DESA)		Diesel	4WD	1968	140	190	01.16-	■
2.0 TDI quattro (DETA)		Diesel	4WD	1968	140	190	01.16-	■
2.0 TDI quattro (DFVA)		Diesel	4WD	1968	140	190	01.16-	■
40 TDI quattro (DETA)		Diesel	4WD	1968	140	190	01.20-	■
3.0 TDI quattro (CSWB)		Diesel	4WD	2967	160	218	01.16-08.18	■
45 TDI quattro (DCPE)		Diesel	4WD	2967	170	231	07.18-	■
3.0 TDI quattro (CRTC)		Diesel	4WD	2967	200	272	01.16-08.18	■
3.0 TDI quattro (DCPC)		Diesel	4WD	2967	210	286	07.18-10.19	■
50 TDI quattro (DCPC)		Diesel	4WD	2967	210	286	11.19-	■
A4 V B9 (8W2, 8WC) 05.15-					Saloon (Compact executive car-D Segment)			
1.4 TFSI (CVNA)		Gasolina	FWD	1395	110	150	08.15-11.19	■
2.0 TFSI (CVKB)		Gasolina	FWD	1984	140	190	05.15-	■

LISTA DE APLICACIONES - BUYERS GUIDE

2.0 TFSI (DBPA)		Gasolina	FWD	1984	140	190	05.15-	■
2.0 TFSI (CYRC)		Gasolina	FWD	1984	183	249	11.15-11.19	■
2.0 TFSI quattro (CYRC)		Gasolina	4WD	1984	183	249	11.15-11.19	■
2.0 TFSI (CYMC)		Gasolina	FWD	1984	185	252	05.15-11.19	■
2.0 TFSI (CYRB)		Gasolina	FWD	1984	185	252	05.15-11.19	■
2.0 TFSI quattro (CYMC)		Gasolina	4WD	1984	185	252	05.15-	■
2.0 TFSI quattro (CYRB)		Gasolina	4WD	1984	185	252	05.15-	■
35 TFSI Mild Hybrid (DLVB)		Gasol./el éc.	FWD	1984	110	150	12.18-	■
40 TFSI Mild Hybrid (DEMA)		Gasol./el éc.	FWD	1984	140	190	05.17-	■
40 TFSI Mild Hybrid (DKYA)		Gasol./el éc.	FWD	1984	140	190	05.17-	■
40 TFSI Mild Hybrid (DLVA)		Gasol./el éc.	FWD	1984	140	190	05.17-	■
40 TFSI Mild Hybrid		Gasol./el éc.	FWD	1984	150	204	06.20-	■
40 TFSI Mild Hybrid quattro (DMSA)		Gasol./el éc.	4WD	1984	150	204	06.20-	■
45 TFSI Mild Hybrid (DKNA)		Gasol./el éc.	FWD	1984	180	245	07.18-11.19	■
45 TFSI Mild hybrid quattro (DKNA)		Gasol./el éc.	4WD	1984	180	245	07.18-11.19	■
2.0 TFSI Mild Hybrid (DDWA)		Gasol./el éc.	FWD	1984	185	252	05.17-11.19	■
2.0 TFSI Mild Hybrid quattro (DDWA)		Gasol./el éc.	4WD	1984	185	252	05.17-11.19	■
45 TFSI Mild hybrid quattro (DMTA)		Gasol./el éc.	4WD	1984	195	265	08.20-	■
30 TDI Mild Hybrid (DEZB)		Diesel/el éc.	FWD	1968	100	136	07.19-	■
35 TDI Mild Hybrid (DEZE)		Diesel/el éc.	FWD	1968	120	163	03.19-	■
40 TDI Mild Hybrid		Diesel/el éc.	FWD	1968	150	204	09.20-	■
40 TDI Mild Hybrid quattro (DTPA)		Diesel/el éc.	4WD	1968	150	204	05.20-	■
50 TDI Mild Hybrid quattro		Diesel/el éc.	4WD	2967	210	286	08.20-	■
2.0 TDI (DEUC)		Diesel	FWD	1968	90	122	05.16-11.19	■
30 TDI (DEUC)		Diesel	FWD	1968	90	122	05.16-11.19	■
2.0 TDI (DEUB)		Diesel	FWD	1968	100	136	05.15-11.19	■
2.0 TDI (CZHA)		Diesel	FWD	1968	110	150	05.15-11.19	■
2.0 TDI (DEUA)		Diesel	FWD	1968	110	150	05.15-11.19	■
2.0 TDI quattro (DEUA)		Diesel	4WD	1968	110	150	09.16-11.19	■
35 TDI (DEUA)		Diesel	FWD	1968	110	150	08.15-	■
2.0 TDI quattro (DETB)		Diesel	4WD	1968	120	163	09.16-11.19	■
2.0 TDI (DESA)		Diesel	FWD	1968	140	190	05.15-	■
2.0 TDI (DETA)		Diesel	FWD	1968	140	190	05.15-	■
2.0 TDI (DFVA)		Diesel	FWD	1968	140	190	05.15-	■
2.0 TDI quattro (DESA)		Diesel	4WD	1968	140	190	09.15-11.19	■
2.0 TDI quattro (DETA)		Diesel	4WD	1968	140	190	09.15-11.19	■
2.0 TDI quattro (DFVA)		Diesel	4WD	1968	140	190	09.15-11.19	■
40 TDI (DESA)		Diesel	FWD	1968	140	190	05.15-	■
40 TDI (DETA)		Diesel	FWD	1968	140	190	05.15-	■
40 TDI quattro (DETA)		Diesel	4WD	1968	140	190	09.15-11.19	■
3.0 TDI (CSWB)		Diesel	FWD	2967	160	218	09.15-08.18	■
3.0 TDI quattro (CSWB)		Diesel	4WD	2967	160	218	09.15-08.18	■
45 TDI quattro (DCPE)		Diesel	4WD	2967	170	231	07.18-	■
3.0 TDI quattro (CRTC)		Diesel	4WD	2967	200	272	05.15-08.18	■

LISTA DE APLICACIONES - BUYERS GUIDE

50 TDI quattro (DCPC)		Diesel	4WD	2967	210	286	07.18-	■
A4 V B9 Avant (8W5, 8WD) 08.15-					Estate (Compact executive car-D Segment)			
1.4 TFSI (CVNA)		Gasolina	FWD	1395	110	150	02.16-10.19	■
2.0 TFSI (CVKB)		Gasolina	FWD	1984	140	190	08.15-	■
2.0 TFSI (DKYA)		Gasolina	FWD	1984	140	190	08.15-	■
2.0 TFSI (CYRC)		Gasolina	FWD	1984	183	249	05.16-10.19	■
2.0 TFSI quattro (CYRC)		Gasolina	4WD	1984	183	249	11.15-10.19	■
2.0 TFSI (CYRB)		Gasolina	FWD	1984	185	252	05.16-10.19	■
2.0 TFSI quattro (CYRB)		Gasolina	4WD	1984	185	252	08.15-10.19	■
2.0 TFSI g-tron (CVLA)		Gasol./Gas (CNG)	FWD	1984	125	170	11.16-10.19	■
40 TFSI g-tron (CVLA)		Gasol./Gas (CNG)	FWD	1984	125	170	11.16-	■
35 TFSI Mild Hybrid (DLVB)		Gasol./eléc.	FWD	1984	110	150	12.18-	■
35 TFSI Mild Hybrid (DMSB)		Gasol./eléc.	FWD	1984	110	150	12.18-	■
40 TFSI Mild Hybrid (DEMA)		Gasol./eléc.	FWD	1984	140	190	05.17-	■
40 TFSI Mild Hybrid (DKYA)		Gasol./eléc.	FWD	1984	140	190	05.17-	■
40 TFSI Mild Hybrid (DLVA)		Gasol./eléc.	FWD	1984	140	190	05.17-	■
40 TFSI Mild Hybrid (DMSA)		Gasol./eléc.	FWD	1984	150	204	06.20-	■
40 TFSI Mild Hybrid quattro (DMSA)		Gasol./eléc.	4WD	1984	150	204	06.20-	■
45 TFSI Mild Hybrid (DKNA)		Gasol./eléc.	FWD	1984	180	245	07.18-10.19	■
45 TFSI Mild hybrid quattro (DKNA)		Gasol./eléc.	4WD	1984	180	245	07.18-10.19	■
2.0 TFSI Mild Hybrid (DDWA)		Gasol./eléc.	FWD	1984	185	252	05.17-10.19	■
2.0 TFSI Mild Hybrid quattro (DDWA)		Gasol./eléc.	4WD	1984	185	252	05.17-06.18	■
45 TFSI Mild hybrid quattro (DMTA)		Gasol./eléc.	4WD	1984	195	265	08.20-	■
30 TDI Mild Hybrid (DEZB)		Diesel/eléc.	FWD	1968	100	136	07.19-	■
35 TDI Mild Hybrid (DEZE)		Diesel/eléc.	FWD	1968	120	163	07.19-	■
40 TDI Mild Hybrid		Diesel/eléc.	FWD	1968	150	204	09.20-	■
40 TDI Mild Hybrid quattro (DTPA)		Diesel/eléc.	4WD	1968	150	204	05.20-	■
50 TDI Mild Hybrid quattro		Diesel/eléc.	4WD	2967	210	286	08.20-	■
2.0 TDI (DEUC)		Diesel	FWD	1968	90	122	04.16-09.18	■
30 TDI (DEUC)		Diesel	FWD	1968	90	122	10.18-10.20	■
2.0 TDI (DEUB)		Diesel	FWD	1968	100	136	08.15-10.19	■
2.0 TDI (CZHA)		Diesel	FWD	1968	110	150	08.15-09.18	■
2.0 TDI (DEUA)		Diesel	FWD	1968	110	150	08.15-09.18	■
2.0 TDI quattro (DEUA)		Diesel	4WD	1968	110	150	09.16-10.19	■
35 TDI (DEUA)		Diesel	FWD	1968	110	150	10.18-10.19	■
2.0 TDI quattro (DETB)		Diesel	4WD	1968	120	163	09.16-09.18	■
2.0 TDI (DESA)		Diesel	FWD	1968	140	190	08.15-09.18	■
2.0 TDI (DETA)		Diesel	FWD	1968	140	190	08.15-09.18	■
2.0 TDI (DFVA)		Diesel	FWD	1968	140	190	08.15-09.18	■
2.0 TDI quattro (DESA)		Diesel	4WD	1968	140	190	10.15-09.18	■
2.0 TDI quattro (DETA)		Diesel	4WD	1968	140	190	10.15-09.18	■

LISTA DE APLICACIONES - BUYERS GUIDE

2.0 TDI quattro (DFVA)		Diesel	4WD	1968	140	190	10.15-09.18	■	
40 TDI (DESA)		Diesel	FWD	1968	140	190	10.18-08.20	■	
40 TDI (DETA)		Diesel	FWD	1968	140	190	10.18-08.20	■	
40 TDI quattro (DETA)		Diesel	4WD	1968	140	190	10.18-09.20	■	
3.0 TDI (CSWB)		Diesel	FWD	2967	160	218	10.15-08.18	■	
3.0 TDI quattro (CSWB)		Diesel	4WD	2967	160	218	11.15-08.18	■	
45 TDI quattro (DCPE)		Diesel	4WD	2967	170	231	07.18-	■	
3.0 TDI quattro (CRTC)		Diesel	4WD	2967	200	272	08.15-08.18	■	
50 TDI quattro (DCPC)		Diesel	4WD	2967	210	286	07.18-	■	
A5 (8F7) 02.09-10.17					Convertible (Compact executive car-D Segment)				
1.8 TFSI (CDHB)	PR 1LT	Gasolina	FWD	1798	118	160	09.09-03.12	■	
1.8 TFSI (CJEB)	PR 1LT	Gasolina	FWD	1798	125	170	09.11-03.16	■	
1.8 TFSI (CJEE)	PR 1LT	Gasolina	FWD	1798	130	177	05.15-01.17	■	
2.0 TFSI (CAEA)	PR 1LT	Gasolina	FWD	1984	132	180	03.09-03.12	■	
2.0 TFSI (CDNB)	PR 1LT	Gasolina	FWD	1984	132	180	03.09-03.12	■	
2.0 TFSI (CAEB)	PR 1LT	Gasolina	FWD	1984	155	211	03.09-06.14	■	
2.0 TFSI (CDNC)	PR 1LT	Gasolina	FWD	1984	155	211	03.09-06.14	■	
2.0 TFSI quattro (CAEB)	PR 1LT	Gasolina	4WD	1984	155	211	03.09-01.17	■	
2.0 TFSI quattro (CDNC)	PR 1LT	Gasolina	4WD	1984	155	211	03.09-01.17	■	
2.0 TFSI quattro (CPMA)	PR 1LT	Gasolina	4WD	1984	155	211	03.09-01.17	■	
2.0 TFSI (CAED)	PR 1LT	Gasolina	FWD	1984	162	220	05.13-12.14	■	
2.0 TFSI quattro (CPMB)	PR 1LT	Gasolina	4WD	1984	162	220	03.12-01.17	■	
2.0 TFSI (CNCD)	PR 1LT	Gasolina	FWD	1984	165	224	05.13-05.16	■	
2.0 TFSI quattro (CNCD)	PR 1LT	Gasolina	4WD	1984	165	224	05.13-05.16	■	
3.0 TFSI quattro (CMUA)	PR 1LT	Gasolina	4WD	2995	200	272	11.11-01.17	■	
3.0 TFSI quattro (CRED)	PR 1LT	Gasolina	4WD	2995	200	272	11.11-01.17	■	
3.2 FSI (CALA)	PR 1LT	Gasolina	FWD	3197	195	265	03.09-03.12	■	
3.2 FSI quattro (CALA)	PR 1LT	Gasolina	4WD	3197	195	265	03.09-03.12	■	
2.0 TDI (CJCA)	PR 1LT	Diesel	FWD	1968	105	143	10.11-05.15	■	
2.0 TDI (CJCD)	PR 1LT	Diesel	FWD	1968	110	150	05.13-01.17	■	
2.0 TDI (CSUA)	PR 1LT	Diesel	FWD	1968	110	150	05.13-01.17	■	
2.0 TDI (CAHA)	PR 1LT	Diesel	FWD	1968	125	170	05.09-03.12	■	
2.0 TDI (CGLC)	PR 1LT	Diesel	FWD	1968	130	177	10.11-01.17	■	
2.0 TDI quattro (CGLC)	PR 1LT	Diesel	4WD	1968	130	177	01.12-05.15	■	
2.0 TDI (CNHA)	PR 1LT	Diesel	FWD	1968	140	190	09.13-01.17	■	
2.0 TDI quattro (CNHA)	PR 1LT	Diesel	4WD	1968	140	190	09.13-01.17	■	
2.7 TDI (CGKA)	PR 1LT	Diesel	FWD	2698	140	190	03.09-03.12	■	
3.0 TDI (CLAB)	PR 1LT	Diesel	FWD	2967	150	204	10.11-01.17	■	
3.0 TDI quattro (CCWA)	PR 1LT	Diesel	4WD	2967	176	240	03.09-03.12	■	
3.0 TDI quattro (CDUC)	PR 1LT	Diesel	4WD	2967	180	245	10.11-01.17	■	
3.0 TDI quattro (CKVC)	PR 1LT	Diesel	4WD	2967	180	245	10.11-01.17	■	
A5 (8T3) 06.07-10.17					Coupe (Compact executive car-D Segment)				
1.8 TFSI (CDHB)	PR 1LT	Gasolina	FWD	1798	118	160	05.09-09.11	■	
1.8 TFSI (CABD)	PR 1LT	Gasolina	FWD	1798	125	170	10.07-01.17	■	
1.8 TFSI (CJEB)	PR 1LT	Gasolina	FWD	1798	125	170	10.07-01.17	■	
2.0 TFSI (CDNB)	PR 1LT	Gasolina	FWD	1984	132	180	11.08-03.12	■	
2.0 TFSI (CDNC)	PR 1LT	Gasolina	FWD	1984	155	211	06.08-11.13	■	
2.0 TFSI quattro (CAEB)	PR 1LT	Gasolina	4WD	1984	155	211	06.08-01.17	■	
2.0 TFSI quattro (CDNC)	PR 1LT	Gasolina	4WD	1984	155	211	06.08-01.17	■	
2.0 TFSI quattro (CPMA)	PR 1LT	Gasolina	4WD	1984	155	211	06.08-01.17	■	

LISTA DE APLICACIONES - BUYERS GUIDE

2.0 TFSI quattro (CAED)	PR 1LT	Gasolina	4WD	1984	162	220	03.12-01.17	■
2.0 TFSI quattro (CPMB)	PR 1LT	Gasolina	4WD	1984	162	220	03.12-01.17	■
2.0 TFSI (CNCD)	PR 1LT	Gasolina	FWD	1984	165	224	05.13-05.16	■
2.0 TFSI quattro (CNCD)	PR 1LT	Gasolina	4WD	1984	165	224	05.13-05.16	■
2.0 TFSI (CNCE)	PR 1LT	Gasolina	FWD	1984	169	230	08.15-01.17	■
2.0 TFSI quattro (CNCE)	PR 1LT	Gasolina	4WD	1984	169	230	08.15-01.17	■
3.0 TFSI quattro (CHMB)	PR 1LT	Gasolina	4WD	2995	200	272	12.11-01.17	■
3.0 TFSI quattro (CMUA)	PR 1LT	Gasolina	4WD	2995	200	272	12.11-01.17	■
3.0 TFSI quattro (CRED)	PR 1LT	Gasolina	4WD	2995	200	272	12.11-01.17	■
3.2 FSI (CALA)	PR 1LT	Gasolina	FWD	3197	195	265	06.07-03.12	■
3.2 FSI quattro (CALA)	PR 1LT	Gasolina	4WD	3197	195	265	06.07-03.12	■
2.0 TDI (CAHA)	PR 1LT	Diesel	FWD	1968	125	170	08.08-03.12	■
2.0 TDI quattro (CAHA)	PR 1LT	Diesel	4WD	1968	125	170	08.08-03.12	■
2.0 TDI (CGLC)	PR 1LT	Diesel	FWD	1968	130	177	10.11-01.17	■
2.0 TDI quattro (CGLC)	PR 1LT	Diesel	4WD	1968	130	177	12.11-01.17	■
2.0 TDI (CNHA)	PR 1LT	Diesel	FWD	1968	140	190	09.13-01.17	■
2.0 TDI quattro (CNHA)	PR 1LT	Diesel	4WD	1968	140	190	09.13-01.17	■
2.7 TDI (CAMB)	PR 1LT	Diesel	FWD	2698	120	163	09.07-03.12	■
2.7 TDI (CGKB)	PR 1LT	Diesel	FWD	2698	120	163	09.07-03.12	■
2.7 TDI (CAMA)	PR 1LT	Diesel	FWD	2698	140	190	06.07-03.12	■
2.7 TDI (CGKA)	PR 1LT	Diesel	FWD	2698	140	190	06.07-03.12	■
3.0 TDI (CLAB)	PR 1LT	Diesel	FWD	2967	150	204	10.11-01.17	■
3.0 TDI quattro (CCWB)	PR 1LT	Diesel	4WD	2967	155	211	03.08-05.10	■
3.0 TDI quattro (CAPA)	PR 1LT	Diesel	4WD	2967	176	240	06.07-03.12	■
3.0 TDI quattro (CCWA)	PR 1LT	Diesel	4WD	2967	176	240	06.07-03.12	■
3.0 TDI quattro (CDUC)	PR 1LT	Diesel	4WD	2967	180	245	10.11-01.17	■
3.0 TDI quattro (CKVB)	PR 1LT	Diesel	4WD	2967	180	245	10.11-01.17	■
3.0 TDI quattro (CKVC)	PR 1LT	Diesel	4WD	2967	180	245	10.11-01.17	■
A5 II (F57, F5E) 11.16-				Convertible (Compact executive car-D Segment)				
2.0 TFSI (CVKB)		Gasolina	FWD	1984	140	190	03.17-12.19	■
2.0 TFSI (DKYA)		Gasolina	FWD	1984	140	190	03.17-12.19	■
40 TFSI (DMSA)		Gasolina	FWD	1984	150	204	11.20-	■
2.0 TFSI (CYRB)		Gasolina	FWD	1984	185	252	03.17-12.19	■
2.0 TFSI quattro (CYMC)		Gasolina	4WD	1984	185	252	11.16-	■
2.0 TFSI quattro (CYRB)		Gasolina	4WD	1984	185	252	11.16-	■
35 TFSI Mild Hybrid (DMSB)		Gasol./el éc.	FWD	1984	110	150	06.20-	■
40 TFSI Mild Hybrid (DEMA)		Gasol./el éc.	FWD	1984	140	190	05.17-	■
40 TFSI Mild Hybrid (DKYA)		Gasol./el éc.	FWD	1984	140	190	05.17-	■
40 TFSI Mild Hybrid (DLVA)		Gasol./el éc.	FWD	1984	140	190	05.17-	■
40 TFSI Mild Hybrid (DMSA)		Gasol./el éc.	FWD	1984	150	204	07.20-	■
40 TFSI Mild Hybrid quattro (DMSA)		Gasol./el éc.	4WD	1984	150	204	06.20-	■
45 TFSI Mild Hybrid (DKNA)		Gasol./el éc.	FWD	1984	180	245	07.18-12.19	■
45 TFSI Mild hybrid quattro (DKNA)		Gasol./el éc.	4WD	1984	180	245	07.18-12.19	■
2.0 TFSI Mild Hybrid (DDWA)		Gasol./el éc.	FWD	1984	185	252	05.17-12.19	■
2.0 TFSI Mild Hybrid quattro (DDWA)		Gasol./el éc.	4WD	1984	185	252	05.17-	■
2.0 TFSI Mild Hybrid quattro (DLHB)		Gasol./el éc.	4WD	1984	185	252	05.17-	■

LISTA DE APLICACIONES - BUYERS GUIDE

45 TFSI Mild hybrid quattro		Gasol./el éc.	4WD	1984	195	265	06.20-	■	
30 TDI Mild Hybrid		Diesel/el éc.	FWD	1968	100	136	07.18-	■	
40 TDI Mild Hybrid		Diesel/el éc.	FWD	1968	150	204	09.20-	■	
40 TDI Mild Hybrid quattro		Diesel/el éc.	4WD	1968	150	204	09.20-	■	
2.0 TDI (DEUA)		Diesel	FWD	1968	110	150	08.17-12.19	■	
35 TDI (DEZE)		Diesel	FWD	1968	120	163	10.19-	■	
2.0 TDI (DETA)		Diesel	FWD	1968	140	190	11.16-12.19	■	
2.0 TDI quattro (DETA)		Diesel	4WD	1968	140	190	03.17-	■	
40 TDI (DETA)		Diesel	FWD	1968	140	190	11.16-12.19	■	
40 TDI quattro (DETA)		Diesel	4WD	1968	140	190	03.17-	■	
3.0 TDI (CSWB)		Diesel	FWD	2967	160	218	03.17-08.18	■	
3.0 TDI quattro (CSWB)		Diesel	4WD	2967	160	218	12.16-08.18	■	
3.0 TDI quattro (DCPC)		Diesel	4WD	2967	210	286	11.16-12.19	■	
50 TDI quattro (DCPC)		Diesel	4WD	2967	210	286	11.16-12.19	■	
A5 II (F53, F5P) 06.16-							Coupe (Compact executive car-D Segment)		
1.4 TFSI (CVNA)		Gasolina	FWD	1395	110	150	11.16-02.20	■	
35 TFSI		Gasolina	FWD	1984	110	150	03.20-	■	
2.0 TFSI (CVKB)		Gasolina	FWD	1984	140	190	09.16-	■	
2.0 TFSI (DKYA)		Gasolina	FWD	1984	140	190	09.16-	■	
40 TFSI (DMSA)		Gasolina	FWD	1984	150	204	11.20-	■	
2.0 TFSI quattro (CYRC)		Gasolina	4WD	1984	183	249	06.16-02.20	■	
2.0 TFSI (CYRB)		Gasolina	FWD	1984	185	252	11.16-02.20	■	
35 TFSI Mild Hybrid (DLVB)		Gasol./el éc.	FWD	1984	110	150	02.19-	■	
35 TFSI Mild Hybrid (DMSB)		Gasol./el éc.	FWD	1984	110	150	02.19-	■	
40 TFSI Mild Hybrid (DEMA)		Gasol./el éc.	FWD	1984	140	190	05.17-	■	
40 TFSI Mild Hybrid (DHDA)		Gasol./el éc.	FWD	1984	140	190	05.17-	■	
40 TFSI Mild Hybrid (DKYA)		Gasol./el éc.	FWD	1984	140	190	05.17-	■	
40 TFSI Mild Hybrid (DLVA)		Gasol./el éc.	FWD	1984	140	190	05.17-	■	
40 TFSI Mild Hybrid		Gasol./el éc.	FWD	1984	150	204	07.20-	■	
40 TFSI Mild Hybrid quattro		Gasol./el éc.	4WD	1984	150	204	07.20-	■	
45 TFSI Mild Hybrid (DKNA)		Gasol./el éc.	FWD	1984	180	245	07.18-08.20	■	
45 TFSI Mild hybrid quattro (DKNA)		Gasol./el éc.	4WD	1984	180	245	07.18-08.20	■	
2.0 TFSI Mild Hybrid (DDWA)		Gasol./el éc.	FWD	1984	185	252	05.17-02.20	■	
2.0 TFSI Mild Hybrid quattro (DDWA)		Gasol./el éc.	4WD	1984	185	252	05.17-02.20	■	
2.0 TFSI Mild Hybrid quattro (DLHB)		Gasol./el éc.	4WD	1984	185	252	05.17-02.20	■	
45 TFSI Mild hybrid quattro		Gasol./el éc.	4WD	1984	195	265	10.19-	■	
30 TDI Mild Hybrid (DEZB)		Diesel/el éc.	FWD	1968	100	136	10.19-	■	
40 TDI Mild Hybrid		Diesel/el éc.	FWD	1968	150	204	09.20-	■	
40 TDI Mild Hybrid quattro		Diesel/el éc.	4WD	1968	150	204	09.20-	■	
50 TDI Mild Hybrid quattro		Diesel/el éc.	4WD	2967	210	286	08.20-	■	

LISTA DE APLICACIONES - BUYERS GUIDE

S5 TDI Mild Hybrid quattro		Diesel/el éc.	4WD	2967	251	341	01.21-	■
S5 TDI Mild Hybrid quattro (DEWB)		Diesel/el éc.	4WD	2967	255	347	12.18-02.20	■
2.0 TDI (CZHA)		Diesel	FWD	1968	110	150	05.17-02.20	■
2.0 TDI (DEUA)		Diesel	FWD	1968	110	150	05.17-02.20	■
35 TDI (CZHA)		Diesel	FWD	1968	110	150	05.17-02.20	■
35 TDI (DEUA)		Diesel	FWD	1968	110	150	05.17-02.20	■
35 TDI (DEZE)		Diesel	FWD	1968	120	163	08.19-	■
2.0 TDI (DESA)		Diesel	FWD	1968	140	190	07.16-	■
2.0 TDI (DETA)		Diesel	FWD	1968	140	190	07.16-	■
2.0 TDI quattro (DESA)		Diesel	4WD	1968	140	190	10.16-	■
2.0 TDI quattro (DETA)		Diesel	4WD	1968	140	190	10.16-	■
40 TDI (DESA)		Diesel	FWD	1968	140	190	06.16-	■
40 TDI (DETA)		Diesel	FWD	1968	140	190	06.16-	■
40 TDI quattro (DETA)		Diesel	4WD	1968	140	190	10.16-	■
3.0 TDI (CSWB)		Diesel	FWD	2967	160	218	11.16-08.18	■
45 TDI quattro (DCPE)		Diesel	4WD	2967	170	231	07.18-02.20	■
3.0 TDI quattro (CRTC)		Diesel	4WD	2967	200	272	02.17-12.17	■
3.0 TDI quattro (DCPC)		Diesel	4WD	2967	210	286	01.17-02.20	■
50 TDI quattro (DCPC)		Diesel	4WD	2967	210	286	01.17-02.20	■
A5 II Sportback (F5A, F5F) 06.16-					Hatchback (Compact executive car-D Segment)			
1.4 TFSI (CVNA)		Gasolina	FWD	1395	110	150	01.17-02.20	■
2.0 TFSI (CVKB)		Gasolina	FWD	1984	140	190	01.17-	■
2.0 TFSI (DKYA)		Gasolina	FWD	1984	140	190	01.17-	■
40 TFSI (DMSA)		Gasolina	FWD	1984	150	204	11.20-	■
2.0 TFSI quattro (CYRC)		Gasolina	4WD	1984	183	249	09.16-02.20	■
2.0 TFSI (CYRB)		Gasolina	FWD	1984	185	252	11.16-02.20	■
2.0 TFSI quattro (CYMC)		Gasolina	4WD	1984	185	252	09.16-	■
2.0 TFSI quattro (CYRB)		Gasolina	4WD	1984	185	252	09.16-	■
2.0 TFSI g-tron (CVLA)		Gasol./Gas (CNG)	FWD	1984	125	170	02.17-02.20	■
40 TFSI g-tron (CVLA)		Gasol./Gas (CNG)	FWD	1984	125	170	02.17-	■
35 TFSI Mild Hybrid (DLVB)		Gasol./el éc.	FWD	1984	110	150	08.18-	■
35 TFSI Mild Hybrid (DMSB)		Gasol./el éc.	FWD	1984	110	150	08.18-	■
40 TFSI Mild Hybrid (DEMA)		Gasol./el éc.	FWD	1984	140	190	05.17-	■
40 TFSI Mild Hybrid (DHDA)		Gasol./el éc.	FWD	1984	140	190	05.17-	■
40 TFSI Mild Hybrid (DKYA)		Gasol./el éc.	FWD	1984	140	190	05.17-	■
40 TFSI Mild Hybrid (DLVA)		Gasol./el éc.	FWD	1984	140	190	05.17-	■
40 TFSI Mild Hybrid (DMSA)		Gasol./el éc.	FWD	1984	150	204	06.20-	■
40 TFSI Mild Hybrid quattro (DMSA)		Gasol./el éc.	4WD	1984	150	204	06.20-	■
45 TFSI Mild Hybrid (DKNA)		Gasol./el éc.	FWD	1984	180	245	07.18-02.20	■
45 TFSI Mild hybrid quattro (DKNA)		Gasol./el éc.	4WD	1984	180	245	02.19-02.20	■
45 TFSI Mild hybrid quattro		Gasol./el éc.	4WD	1984	195	265	10.19-	■
30 TDI Mild Hybrid (DEZB)		Diesel/el éc.	FWD	1968	100	136	10.19-	■

LISTA DE APLICACIONES - BUYERS GUIDE

40 TDI Mild Hybrid		Diesel/el éc.	FWD	1968	150	204	09.20-	■	
40 TDI Mild Hybrid quattro		Diesel/el éc.	4WD	1968	150	204	09.20-	■	
50 TDI Mild Hybrid quattro (DMGA)		Diesel/el éc.	4WD	2967	210	286	08.20-	■	
S5 TDI Mild Hybrid quattro		Diesel/el éc.	4WD	2967	251	341	01.21-	■	
S5 TDI Mild Hybrid quattro (DEWB)		Diesel/el éc.	4WD	2967	255	347	12.18-02.20	■	
2.0 TDI (DEUB)		Diesel	FWD	1968	100	136	05.17-02.20	■	
2.0 TDI (CZHA)		Diesel	FWD	1968	110	150	01.17-02.20	■	
2.0 TDI (DEUA)		Diesel	FWD	1968	110	150	01.17-02.20	■	
2.0 TDI quattro (CZHA)		Diesel	4WD	1968	110	150	05.17-02.20	■	
2.0 TDI quattro (DEUA)		Diesel	4WD	1968	110	150	05.17-02.20	■	
35 TDI (DEUA)		Diesel	FWD	1968	110	150	01.17-02.20	■	
35 TDI (DEZE)		Diesel	FWD	1968	120	163	08.19-	■	
2.0 TDI (DESA)		Diesel	FWD	1968	140	190	09.16-	■	
2.0 TDI (DETA)		Diesel	FWD	1968	140	190	09.16-	■	
2.0 TDI quattro (DESA)		Diesel	4WD	1968	140	190	10.16-	■	
2.0 TDI quattro (DETA)		Diesel	4WD	1968	140	190	10.16-	■	
40 TDI (DESA)		Diesel	FWD	1968	140	190	09.16-	■	
40 TDI (DETA)		Diesel	FWD	1968	140	190	09.16-	■	
40 TDI quattro (DETA)		Diesel	4WD	1968	140	190	08.16-	■	
3.0 TDI (CSWB)		Diesel	FWD	2967	160	218	03.17-08.18	■	
3.0 TDI quattro (CSWB)		Diesel	4WD	2967	160	218	09.16-	■	
45 TDI quattro (DCPE)		Diesel	4WD	2967	170	231	07.18-02.20	■	
3.0 TDI quattro (CRTC)		Diesel	4WD	2967	200	272	02.17-12.17	■	
3.0 TDI quattro (DCPC)		Diesel	4WD	2967	210	286	01.17-02.20	■	
50 TDI quattro (DCPC)		Diesel	4WD	2967	210	286	01.17-02.20	■	
A5 Sportback (8TA) 07.07-10.17					Hatchback (Compact executive car-D Segment)				
1.8 TFSI (CJED)	PR 1LT	Gasolina	FWD	1798	106	144	09.14-01.17	■	
1.8 TFSI (CDHB)	PR 1LT	Gasolina	FWD	1798	118	160	11.09-09.11	■	
1.8 TFSI (CJEB)	PR 1LT	Gasolina	FWD	1798	125	170	08.11-01.17	■	
2.0 TFSI (CDNB)	PR 1LT	Gasolina	FWD	1984	132	180	09.09-06.14	■	
2.0 TFSI (CDNC)	PR 1LT	Gasolina	FWD	1984	155	211	09.09-11.13	■	
2.0 TFSI quattro (CDNC)	PR 1LT	Gasolina	4WD	1984	155	211	09.09-01.17	■	
2.0 TFSI (CNCD)	PR 1LT	Gasolina	FWD	1984	165	224	05.13-05.16	■	
2.0 TFSI quattro (CNCD)	PR 1LT	Gasolina	4WD	1984	165	224	05.13-05.16	■	
3.0 TFSI quattro (CHMB)	PR 1LT	Gasolina	4WD	2995	200	272	12.11-01.17	■	
3.0 TFSI quattro (CMUA)	PR 1LT	Gasolina	4WD	2995	200	272	12.11-01.17	■	
3.0 TFSI quattro (CRED)	PR 1LT	Gasolina	4WD	2995	200	272	12.11-01.17	■	
3.2 FSI quattro (CALA)	PR 1LT	Gasolina	4WD	3197	195	265	09.09-03.12	■	
2.0 TDI (CAGA)	PR 1LT	Diesel	FWD	1968	105	143	09.09-01.17	■	
2.0 TDI (CJCA)	PR 1LT	Diesel	FWD	1968	105	143	09.09-01.17	■	
2.0 TDI (CMEA)	PR 1LT	Diesel	FWD	1968	105	143	09.09-01.17	■	
2.0 TDI (CMFA)	PR 1LT	Diesel	FWD	1968	105	143	09.09-01.17	■	
2.0 TDI (CJCD)	PR 1LT	Diesel	FWD	1968	110	150	05.13-01.17	■	
2.0 TDI (CMFB)	PR 1LT	Diesel	FWD	1968	110	150	05.13-01.17	■	
2.0 TDI (CSUA)	PR 1LT	Diesel	FWD	1968	110	150	05.13-01.17	■	
2.0 TDI (CAHA)	PR 1LT	Diesel	FWD	1968	125	170	09.09-03.12	■	
2.0 TDI quattro (CAHA)	PR 1LT	Diesel	4WD	1968	125	170	09.09-03.12	■	
2.0 TDI (CGLC)	PR 1LT	Diesel	FWD	1968	130	177	10.11-01.17	■	
2.0 TDI quattro (CGLC)	PR 1LT	Diesel	4WD	1968	130	177	12.11-01.17	■	

LISTA DE APLICACIONES - BUYERS GUIDE

2.0 TDI (CNHA)	PR 1LT	Diesel	FWD	1968	140	190	09.13-01.17	■
2.0 TDI quattro (CNHA)	PR 1LT	Diesel	4WD	1968	140	190	09.13-01.17	■
2.7 TDI (CAMA)	PR 1LT	Diesel	FWD	2698	140	190	09.09-03.12	■
2.7 TDI (CGKA)	PR 1LT	Diesel	FWD	2698	140	190	09.09-03.12	■
3.0 TDI (CLAB)	PR 1LT	Diesel	FWD	2967	150	204	10.11-01.17	■
3.0 TDI quattro (CCWA)	PR 1LT	Diesel	4WD	2967	176	240	09.09-03.12	■
3.0 TDI quattro (CDUC)	PR 1LT	Diesel	4WD	2967	180	245	10.11-01.17	■
3.0 TDI quattro (CKVB)	PR 1LT	Diesel	4WD	2967	180	245	10.11-01.17	■
3.0 TDI quattro (CKVC)	PR 1LT	Diesel	4WD	2967	180	245	10.11-01.17	■