

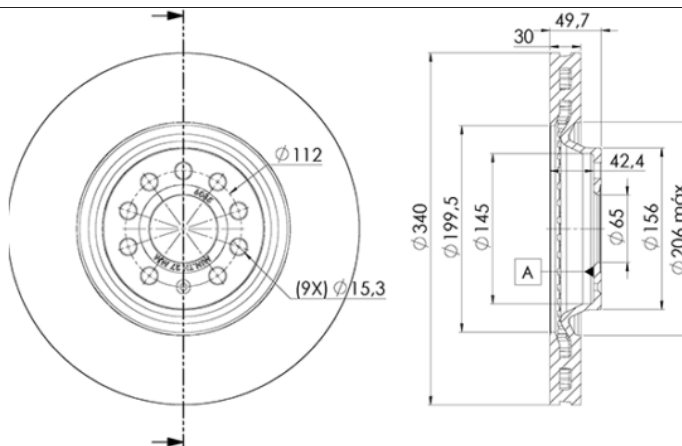
# LISTA DE APLICACIONES - BUYERS GUIDE

## 78BD6085-2



Weight: 23.232

O.E.M.	MAKE
1K0 615 301 AD	VW
3C0 615 301 C	VW
5Q0615301C	VW



## 78BD6085-2



Ø340x30x49.5

MAKE
AUDI
CUPRA
SEAT
SKODA
VW



Trac.	CC	Kw	CV
-------	----	----	----



Front / Rear

### AUDI

						Convertible (Compact executive car-D Segment)				
<b>A3 III (8V7, 8VE) 10.13-</b>										
2.0 TFSI (CZPB)		Gasolina	FWD	1984	140	190	05.16-10.20		■	
2.0 TFSI quattro (CZPB)		Gasolina	4WD	1984	140	190	05.16-10.20		■	
40 TFSI (DKZA)		Gasolina	FWD	1984	140	190	11.18-10.20		■	
40 TFSI quattro (DKZA)		Gasolina	4WD	1984	140	190	11.18-10.20		■	
S3 quattro (CJXF)		Gasolina	4WD	1984	210	286	03.14-07.16		■	
S3 quattro (DJHB)		Gasolina	4WD	1984	213	290	07.16-10.20		■	
S3 quattro (CJXC)		Gasolina	4WD	1984	221	300	04.14-10.20		■	
S3 quattro (DNUE)		Gasolina	4WD	1984	221	300	04.14-10.20		■	
S3 quattro (DJHA)		Gasolina	4WD	1984	228	310	07.16-10.20		■	
<b>A3 III (8V1, 8VK) 04.12-</b>						Hatchback (Compact executive car-D Segment)				
1.0 TFSI (CHZD)		Gasolina	FWD	999	85	115	07.16-12.17		■	
1.2 TFSI (CJZA)		Gasolina	FWD	1197	77	105	02.13-05.15		■	
1.2 TFSI (CYVB)		Gasolina	FWD	1197	81	110	05.14-08.16		■	
1.4 TFSI (CMBA)		Gasolina	FWD	1395	90	122	04.12-05.14		■	
1.4 TFSI (CXSA)		Gasolina	FWD	1395	90	122	04.12-05.14		■	
1.4 TFSI (CXSB)		Gasolina	FWD	1395	92	125	05.14-08.16		■	
1.4 TFSI (CZCA)		Gasolina	FWD	1395	92	125	05.14-08.16		■	
1.4 TSI (CZEA)		Gasolina	FWD	1395	110	150	05.14-12.17		■	
2.0 TFSI (CZPB)		Gasolina	FWD	1984	140	190	05.16-12.17		■	
2.0 TFSI quattro (CZPB)		Gasolina	4WD	1984	140	190	05.16-12.17		■	
S3 quattro (CJXB)		Gasolina	4WD	1984	206	280	02.13-07.14		■	
S3 quattro (CJXF)		Gasolina	4WD	1984	210	286	05.14-08.16		■	

# LISTA DE APLICACIONES - BUYERS GUIDE

S3 quattro (CJXD)		Gasolina	4WD	1984	213	290	07.16-12.17	■	
S3 quattro (DJHB)		Gasolina	4WD	1984	213	290	07.16-12.17	■	
S3 quattro (CJXC)		Gasolina	4WD	1984	221	300	11.12-08.16	■	
S3 quattro (CJXG)		Gasolina	4WD	1984	228	310	06.16-12.17	■	
S3 quattro (DJHA)		Gasolina	4WD	1984	228	310	06.16-12.17	■	
1.6 TDI (CRKB)		Diesel	FWD	1598	81	110	09.13-12.17	■	
1.6 TDI (CXXB)		Diesel	FWD	1598	81	110	09.13-12.17	■	
1.6 TDI (DBKA)		Diesel	FWD	1598	81	110	09.13-12.17	■	
<b>A3 III (8VS, 8VM) 05.13-</b>							<b>Saloon (Compact executive car-D Segment)</b>		
1.0 TFSI (CHZD)		Gasolina	FWD	999	85	115	07.16-10.20	■	
2.0 TFSI (CZPB)		Gasolina	FWD	1984	140	190	05.16-10.20	■	
2.0 TFSI (DKZA)		Gasolina	FWD	1984	140	190	05.16-10.20	■	
2.0 TFSI quattro (CZPB)		Gasolina	4WD	1984	140	190	05.16-10.20	■	
2.0 TFSI quattro (DKZA)		Gasolina	4WD	1984	140	190	05.16-10.20	■	
40 TFSI (DKZA)		Gasolina	FWD	1984	140	190	07.18-10.20	■	
40 TFSI quattro (DKZA)		Gasolina	4WD	1984	140	190	07.18-10.20	■	
S3 quattro (CJXB)		Gasolina	4WD	1984	206	280	10.13-05.14	■	
S3 quattro (CJXF)		Gasolina	4WD	1984	210	286	05.14-08.16	■	
S3 quattro (CJXD)		Gasolina	4WD	1984	213	290	08.16-10.20	■	
S3 quattro (DJHB)		Gasolina	4WD	1984	213	290	08.16-10.20	■	
S3 quattro (CYFB)		Gasolina	4WD	1984	215	292	05.14-10.20	■	
S3 quattro (CJXC)		Gasolina	4WD	1984	221	300	10.13-10.20	■	
S3 quattro (DNUE)		Gasolina	4WD	1984	221	300	10.13-10.20	■	
S3 quattro (CJXG)		Gasolina	4WD	1984	228	310	06.16-10.20	■	
S3 quattro (DJHA)		Gasolina	4WD	1984	228	310	06.16-10.20	■	
<b>A3 III Sportback (8VA, 8VF) 09.12-</b>							<b>Hatchback (Compact executive car-D Segment)</b>		
1.0 TFSI (CHZD)		Gasolina	FWD	999	85	115	07.16-10.20	■	
1.0 TFSI (DKRF)		Gasolina	FWD	999	85	115	07.16-10.20	■	
2.0 TFSI (CZPB)		Gasolina	FWD	1984	140	190	05.16-10.20	■	
2.0 TFSI (DKZA)		Gasolina	FWD	1984	140	190	05.16-10.20	■	
2.0 TFSI quattro (CZPB)		Gasolina	4WD	1984	140	190	05.16-10.20	■	
2.0 TFSI quattro (DKZA)		Gasolina	4WD	1984	140	190	05.16-10.20	■	
40 TFSI (DKZA)		Gasolina	FWD	1984	140	190	07.18-10.20	■	
40 TFSI quattro (DKZA)		Gasolina	4WD	1984	140	190	07.18-10.20	■	
2.0 45 TFSI		Gasolina	FWD	1984	162	220	02.15-08.16	■	
S3 quattro (CJXB)		Gasolina	4WD	1984	206	280	05.13-08.16	■	
S3 quattro (CJXF)		Gasolina	4WD	1984	210	286	05.14-08.16	■	
S3 quattro (CJXD)		Gasolina	4WD	1984	213	290	07.16-10.20	■	
S3 quattro (DJHB)		Gasolina	4WD	1984	213	290	07.16-10.20	■	
S3 quattro (CJXC)		Gasolina	4WD	1984	221	300	11.12-10.20	■	
S3 quattro (DNUE)		Gasolina	4WD	1984	221	300	11.12-10.20	■	
S3 quattro (CJXG)		Gasolina	4WD	1984	228	310	06.16-10.20	■	
S3 quattro (DJHA)		Gasolina	4WD	1984	228	310	06.16-10.20	■	
<b>A3 IV (8YS, 8YM) 03.20-</b>							<b>Saloon (Compact executive car-D Segment)</b>		
40 TFSI quattro		Gasolina	4WD	1984	140	190	07.21-	■	
40 TDI quattro		Diesel	4WD	1968	147	200	12.20-	■	
<b>A3 IV Allstreet (8YH) 11.19-</b>							<b>Hatchback (Compact executive car-D Segment)</b>		
40 TFSI quattro		Gasolina	4WD	1984	140	190	07.22-	■	
40 TFSIe		Gasol./el éc.	FWD	1395	150	204	07.22-	■	

# LISTA DE APLICACIONES - BUYERS GUIDE

35 TFSI Mild Hybrid		Gasol./el éc.	FWD	1498	110	150	07.22-	■
35 TDI		Diesel	FWD	1968	110	150	07.22-	■
<b>A3 IV Sportback (8YA, 8YF) 11.19-</b>					<b>Hatchback (Compact executive car-D Segment)</b>			
30 TFSI (DLAA)		Gasolina	FWD	999	81	110	06.20-	■
35 TFSI (DPCA)		Gasolina	FWD	1498	110	150	11.19-	■
40 TFSI quattro		Gasolina	4WD	1984	140	190	07.21-	■
30 g-tron (DHFA)		Gasol./G as (CNG)	FWD	1498	96	131	07.20-	■
30 TFSI Mild Hybrid (DLAA)		Gasol./el éc.	FWD	999	81	110	06.20-	■
40 TFSIe (DGEA)		Gasol./el éc.	FWD	1395	150	204	06.20-	■
45 TFSIe		Gasol./el éc.	FWD	1395	180	245	07.21-	■
35 TFSI Mild Hybrid (DFYA)		Gasol./el éc.	FWD	1498	110	150	04.20-	■
30 TDI (DSUD)		Diesel	FWD	1968	85	116	11.19-	■
35 TDI (DSRB)		Diesel	FWD	1968	110	150	11.19-	■
40 TDI quattro		Diesel	4WD	1968	147	200	12.20-	■
<b>Q2 (GAB, GAG) 06.16-</b>					<b>SUV (Compact SUV-J Segment)</b>			
SQ2 TFSI quattro (DNUE)		Gasolina	4WD	1984	221	300	08.18-	■
<b>Q3 II (F3B) 07.18-</b>					<b>SUV (Compact Crossover CUV-C Segment)</b>			
35 TFSI (CZDA)		Gasolina	FWD	1395	110	150	11.18-	■
35 TFSI (DADA)		Gasolina	FWD	1498	110	150	08.18-	■
35 TFSI (DPCA)		Gasolina	FWD	1498	110	150	08.18-	■
40 TFSI quattro		Gasolina	4WD	1984	132	180	02.21-	■
40 TFSI quattro (DKTC)		Gasolina	4WD	1984	140	190	07.18-06.21	■
45 TFSI quattro (DKTA)		Gasolina	4WD	1984	169	230	07.18-	■
45 TFSI quattro		Gasolina	4WD	1984	180	245	01.21-	■
45 TFSIe		Gasol./el éc.	FWD	1395	180	245	11.20-	■
35 TFSI Mild Hybrid (DFYA)		Gasol./el éc.	FWD	1498	110	150	11.19-	■
35 TDI (DFGA)		Diesel	FWD	1968	110	150	09.18-	■
35 TDI quattro (DFGA)		Diesel	4WD	1968	110	150	09.18-	■
40 TDI quattro (DFHA)		Diesel	4WD	1968	140	190	10.18-	■
40 TDI quattro		Diesel	4WD	1968	147	200	11.20-	■
<b>Q3 II Sportback (F3N) 06.19-</b>					<b>SUV (Compact Crossover CUV-C Segment)</b>			
35 TFSI (CZDA)		Gasolina	FWD	1395	110	150	10.19-	■
35 TFSI (DPCA)		Gasolina	FWD	1498	110	150	09.19-	■
40 TFSI quattro		Gasolina	4WD	1984	132	180	06.19-	■
40 TFSI quattro (DKTC)		Gasolina	4WD	1984	140	190	11.19-06.21	■
45 TFSI quattro (DKTA)		Gasolina	4WD	1984	169	230	06.19-	■
45 TFSI quattro		Gasolina	4WD	1984	180	245	01.21-	■
45 TFSIe		Gasol./el éc.	FWD	1395	180	245	11.20-	■
35 TFSI Mild Hybrid (DFYA)		Gasol./el éc.	FWD	1498	110	150	11.19-	■
35 TDI (DFGA)		Diesel	FWD	1968	110	150	11.19-	■
35 TDI quattro (DFGA)		Diesel	4WD	1968	110	150	09.19-	■
40 TDI quattro (DFHA)		Diesel	4WD	1968	140	190	07.19-	■
40 TDI quattro (DTUA)		Diesel	4WD	1968	147	200	09.20-	■

# LISTA DE APLICACIONES - BUYERS GUIDE

<b>TT III (FV9, FVR) 11.14-</b>					<b>Convertible (Sports car-S Segment)</b>			
1.8 TFSI (CJSA)		Gasolina	FWD	1798	132	180	07.15-08.18	■
1.8 TFSI (CJSB)		Gasolina	FWD	1798	132	180	07.15-08.18	■
40 TFSI (DKZB)		Gasolina	FWD	1984	145	197	07.18-	■
2.0 TFSI quattro (CNTC)		Gasolina	4WD	1984	162	220	04.15-	■
2.0 TFSI (CHHC)		Gasolina	FWD	1984	169	230	11.14-	■
2.0 TFSI quattro (CHHC)		Gasolina	4WD	1984	169	230	11.14-	■
45 TFSI (DKTB)		Gasolina	FWD	1984	180	245	07.18-	■
45 TFSI quattro (DKTB)		Gasolina	4WD	1984	180	245	07.18-	■
2.0 TTS TFSI quattro (DNUF)		Gasolina	4WD	1984	225	306	08.18-	■
2.0 TTS TFSI quattro (CJXG)		Gasolina	4WD	1984	228	310	11.14-	■
2.5 RS TFSI quattro (DAZA)		Gasolina	4WD	2480	294	400	05.16-	■
2.5 RS TFSI quattro (DNWA)		Gasolina	4WD	2480	294	400	05.16-	■
2.0 TDI (CUNA)		Diesel	FWD	1968	135	184	11.14-	■
2.0 TDI quattro (CUNA)		Diesel	4WD	1968	135	184	01.17-	■
<b>TT III (FV3, FVP) 07.14-</b>					<b>Coupe (Sports car-S Segment)</b>			
1.8 TFSI (CJSA)		Gasolina	FWD	1798	132	180	07.15-08.18	■
1.8 TFSI (CJSB)		Gasolina	FWD	1798	132	180	07.15-08.18	■
40 TFSI (DKZB)		Gasolina	FWD	1984	145	197	07.18-	■
2.0 TFSI quattro (CNTC)		Gasolina	4WD	1984	162	220	04.15-	■
2.0 TFSI (CHHC)		Gasolina	FWD	1984	169	230	07.14-	■
2.0 TFSI quattro (CHHC)		Gasolina	4WD	1984	169	230	07.14-	■
45 TFSI (DKTB)		Gasolina	FWD	1984	180	245	07.18-	■
45 TFSI quattro (DKTB)		Gasolina	4WD	1984	180	245	07.18-	■
2.0 TTS TFSI quattro (CYFB)		Gasolina	4WD	1984	215	292	07.15-	■
2.0 TTS TSI quattro (DNUF)		Gasolina	4WD	1984	225	306	08.18-	■
2.0 TTS quattro (CJXG)		Gasolina	4WD	1984	228	310	11.14-	■
2.5 RS TFSI quattro (DAZA)		Gasolina	4WD	2480	294	400	05.16-	■
2.5 RS TFSI quattro (DNWA)		Gasolina	4WD	2480	294	400	05.16-	■
2.0 TDI (CUNA)		Diesel	FWD	1968	135	184	07.14-	■
2.0 TDI quattro (CUNA)		Diesel	4WD	1968	135	184	01.17-	■
<b>CUPRA</b>								
<b>ATECA (KH7, KHP, KBP) 09.18-</b>					<b>SUV (Compact SUV-J Segment)</b>			
1.5 TSI		Gasolina	FWD	1498	110	150	07.23-	■
2.0 TSI 4Drive		Gasolina	4WD	1984	140	190	06.23-	■
2.0 TSI 4Drive (DNUE)		Gasolina	4WD	1984	221	300	09.18-	■
<b>FORMENTOR (KM7, KMP) 07.20-</b>					<b>SUV (Compact SUV-J Segment)</b>			
1.5 TSI		Gasolina	FWD	1498	110	150	11.20-	■
2.0 TSI		Gasolina	FWD	1984	140	190	01.21-	■
2.0 TSI 4Drive		Gasolina	4WD	1984	140	190	08.20-	■
2.0 TSI		Gasolina	FWD	1984	180	245	03.21-	■
2.0 TSI 4Drive (DNFB)		Gasolina	4WD	1984	228	310	07.20-	■
1.4 e-HYBRID		Gasol./el éc.	FWD	1395	150	204	01.21-	■
1.4 e-Hybrid VZ		Gasol./el éc.	FWD	1395	180	245	02.21-	■
2.0 TDI		Diesel	FWD	1968	110	150	03.21-	■
2.0 TDI 4Drive		Diesel	4WD	1968	110	150	03.21-	■
<b>LEON (KL1, KU1, KUG) 09.20-</b>					<b>Hatchback (Compact car-C Segment)</b>			
1.5 TSI		Gasolina	FWD	1498	110	150	09.22-	■

# LISTA DE APLICACIONES - BUYERS GUIDE

2.0 TSI		Gasolina	FWD	1984	140	190	09.22-	■	
2.0 TSI		Gasolina	FWD	1984	180	245	06.21-	■	
2.0 TSI VZ		Gasolina	FWD	1984	221	300	01.21-	■	
1.4 e-HYBRID		Gasol./el éc.	FWD	1395	150	204	09.20-	■	
1.4 e-HYBRID		Gasol./el éc.	FWD	1395	180	245	09.20-	■	
1.5 eTSI		Gasol./el éc.	FWD	1498	110	150	08.22-	■	
2.0 TDI		Diesel	FWD	1968	110	150	11.22-	■	
<b>LEON Sportstourer (KL8, KU8, KUD) 09.20-</b>					<b>Estate (Compact car-C Segment)</b>				
1.5 TSI		Gasolina	FWD	1498	110	150	09.22-	■	
2.0 TSI		Gasolina	FWD	1984	140	190	09.22-	■	
2.0 TSI		Gasolina	FWD	1984	180	245	06.21-	■	
2.0 TSI		Gasolina	FWD	1984	221	300	06.21-	■	
2.0 TSI 4Drive		Gasolina	4WD	1984	228	310	06.21-	■	
1.4 e-HYBRID		Gasol./el éc.	FWD	1395	150	204	09.20-	■	
e-HYBRID		Gasol./el éc.	FWD	1395	180	245	09.20-	■	
1.5 eTSI		Gasol./el éc.	FWD	1498	110	150	09.22-	■	
2.0 TDI		Diesel	FWD	1968	110	150	11.22-	■	
2.0 TDI 4Drive		Diesel	4WD	1968	110	150	11.22-	■	
<b>SEAT</b>									
<b>LEON III (5F1) 09.12-</b>					<b>Hatchback Van (Compact car-C Segment)</b>				
2.0 Cupra (CJXH)		Gasolina	FWD	1984	213	290	09.15-10.16	■	
2.0 Cupra (CJXC)		Gasolina	FWD	1984	221	300	01.17-08.18	■	
<b>LEON III (5F1) 09.12-</b>					<b>Hatchback (Compact car-C Segment)</b>				
1.2 TSI (CJZB)		Gasolina	FWD	1197	63	86	12.12-08.18	■	
1.2 TSI (CYVA)		Gasolina	FWD	1197	63	86	12.12-08.18	■	
1.2 TSI (CJZA)		Gasolina	FWD	1197	77	105	01.13-08.20	■	
1.2 TSI (CYVB)		Gasolina	FWD	1197	81	110	04.14-08.20	■	
1.4 TSI (CMBA)		Gasolina	FWD	1395	90	122	11.12-10.16	■	
1.4 TSI (CXSA)		Gasolina	FWD	1395	90	122	11.12-10.16	■	
1.4 TSI (CZCA)		Gasolina	FWD	1395	92	125	05.14-08.20	■	
1.4 TSI (CHPA)		Gasolina	FWD	1395	103	140	09.12-08.20	■	
1.4 TSI (CPTA)		Gasolina	FWD	1395	103	140	09.12-08.20	■	
1.4 TSI (CZDA)		Gasolina	FWD	1395	110	150	05.14-08.20	■	
1.4 TSI (CZEA)		Gasolina	FWD	1395	110	150	05.14-08.20	■	
1.8 TSI (CJSA)		Gasolina	FWD	1798	132	180	02.13-08.18	■	
2.0 Cupra (CJXE)		Gasolina	FWD	1984	195	265	10.13-08.20	■	
2.0 Cupra (CJXA)		Gasolina	FWD	1984	206	280	10.13-08.20	■	
2.0 Cupra (CJXC)		Gasolina	FWD	1984	221	300	01.17-08.18	■	
1.4 TGI (CPWA)		Gasol./Gas (CNG)	FWD	1395	81	110	02.13-08.18	■	
1.6 TDI (CLHB)		Diesel	FWD	1598	66	90	11.12-08.18	■	
1.6 TDI (CXXA)		Diesel	FWD	1598	66	90	11.12-08.18	■	
1.6 TDI (DDYB)		Diesel	FWD	1598	66	90	11.12-08.18	■	
1.6 TDI (CLHA)		Diesel	FWD	1598	77	105	09.12-08.20	■	
1.6 TDI (CRKB)		Diesel	FWD	1598	81	110	09.13-08.20	■	
1.6 TDI (CXXB)		Diesel	FWD	1598	81	110	09.13-08.20	■	
1.6 TDI (DBKA)		Diesel	FWD	1598	81	110	09.13-08.20	■	

# LISTA DE APLICACIONES - BUYERS GUIDE

2.0 TDI (CRLD)		Diesel	FWD	1968	81	110	05.13-08.20	■
2.0 TDI (CRVA)		Diesel	FWD	1968	81	110	05.13-08.20	■
2.0 TDI (CRVC)		Diesel	FWD	1968	105	143	05.13-08.20	■
2.0 TDI (CKFC)		Diesel	FWD	1968	110	150	10.12-08.20	■
2.0 TDI (CRMB)		Diesel	FWD	1968	110	150	10.12-08.20	■
2.0 TDI (DFFA)		Diesel	FWD	1968	110	150	10.12-08.20	■
2.0 TDI (CUNA)		Diesel	FWD	1968	135	184	09.12-08.20	■
2.0 TDI (CUPA)		Diesel	FWD	1968	135	184	09.12-08.20	■
2.0 TDI (DJGA)		Diesel	FWD	1968	135	184	09.12-08.20	■
<b>LEON III SC (5F5) 01.13-</b>				<b>Coupe (Compact car-C Segment)</b>				
1.2 TSI (CJZB)		Gasolina	FWD	1197	63	86	01.13-08.18	■
1.2 TSI (CYVA)		Gasolina	FWD	1197	63	86	01.13-08.18	■
1.2 TSI (CJZA)		Gasolina	FWD	1197	77	105	02.13-04.14	■
1.2 TSI (CYVB)		Gasolina	FWD	1197	81	110	05.14-08.18	■
1.4 TSI (CMBA)		Gasolina	FWD	1395	90	122	02.13-06.15	■
1.4 TSI (CXSA)		Gasolina	FWD	1395	90	122	02.13-06.15	■
1.4 TSI (CZCA)		Gasolina	FWD	1395	92	125	05.14-08.18	■
1.4 TSI (CHPA)		Gasolina	FWD	1395	103	140	02.13-11.16	■
1.4 TSI (CPTA)		Gasolina	FWD	1395	103	140	02.13-11.16	■
1.4 TSI (CZEA)		Gasolina	FWD	1395	110	150	05.14-08.18	■
1.8 TSI (CJSA)		Gasolina	FWD	1798	132	180	02.13-08.18	■
2.0 Cupra (CJXE)		Gasolina	FWD	1984	195	265	10.13-11.16	■
2.0 Cupra (CJXA)		Gasolina	FWD	1984	206	280	10.13-11.16	■
2.0 Cupra (CJXC)		Gasolina	FWD	1984	221	300	01.17-08.18	■
1.6 TDI (CLHB)		Diesel	FWD	1598	66	90	02.13-08.18	■
1.6 TDI (CXXA)		Diesel	FWD	1598	66	90	02.13-08.18	■
1.6 TDI (DDYB)		Diesel	FWD	1598	66	90	02.13-08.18	■
1.6 TDI (CLHA)		Diesel	FWD	1598	77	105	02.13-08.18	■
1.6 TDI (CRKB)		Diesel	FWD	1598	81	110	09.13-11.16	■
1.6 TDI (CXXB)		Diesel	FWD	1598	81	110	09.13-11.16	■
2.0 TDI		Diesel	FWD	1968	81	110	02.13-	■
2.0 TDI (CRVC)		Diesel	FWD	1968	105	143	05.13-08.18	■
2.0 TDI (CKFC)		Diesel	FWD	1968	110	150	02.13-08.18	■
2.0 TDI (CRMB)		Diesel	FWD	1968	110	150	02.13-08.18	■
2.0 TDI (CUNA)		Diesel	FWD	1968	135	184	03.13-08.18	■
2.0 TDI (CUPA)		Diesel	FWD	1968	135	184	03.13-08.18	■
<b>LEON III ST (5F8) 01.13-</b>				<b>Estate Van (Compact car-C Segment)</b>				
2.0 Cupra (CJXA)		Gasolina	FWD	1984	206	280	10.13-08.20	■
2.0 Cupra (CJXC)		Gasolina	FWD	1984	221	300	11.16-08.18	■
2.0 Cupra 4Drive (CJXC)		Gasolina	4WD	1984	221	300	11.16-08.18	■
<b>LEON III ST (5F8) 09.12-</b>				<b>Estate (Compact car-C Segment)</b>				
1.2 TSI (CJZB)		Gasolina	FWD	1197	63	86	11.13-08.18	■
1.2 TSI (CYVA)		Gasolina	FWD	1197	63	86	11.13-08.18	■
1.2 TSI (CJZA)		Gasolina	FWD	1197	77	105	08.13-08.20	■
1.2 TSI (CYVB)		Gasolina	FWD	1197	81	110	05.14-08.20	■
1.4 TSI (CMBA)		Gasolina	FWD	1395	90	122	09.12-06.15	■
1.4 TSI (CXSA)		Gasolina	FWD	1395	90	122	09.12-06.15	■
1.4 TSI (CZCA)		Gasolina	FWD	1395	92	125	05.14-08.18	■
1.4 TSI (CHPA)		Gasolina	FWD	1395	103	140	10.13-08.20	■
1.4 TSI (CPTA)		Gasolina	FWD	1395	103	140	10.13-08.20	■

# LISTA DE APLICACIONES - BUYERS GUIDE

1.4 TSI (CZEA)		Gasolina	FWD	1395	110	150	05.14-08.20	■
1.8 TSI (CJSA)		Gasolina	FWD	1798	132	180	10.13-08.18	■
1.8 TSI 4Drive (CJSA)		Gasolina	4WD	1798	132	180	11.14-08.18	■
1.8 TSI 4Drive (CJSB)		Gasolina	4WD	1798	132	180	11.14-08.18	■
2.0 Cupra (CJXE)		Gasolina	FWD	1984	195	265	10.13-08.20	■
2.0 Cupra (CJXA)		Gasolina	FWD	1984	206	280	10.13-08.20	■
2.0 Cupra (CJXC)		Gasolina	FWD	1984	221	300	11.16-08.18	■
2.0 Cupra 4Drive (CJXC)		Gasolina	4WD	1984	221	300	11.16-08.20	■
2.0 Cupra 4Drive (DNUE)		Gasolina	4WD	1984	221	300	11.16-08.20	■
1.4 TGI (CPWA)		Gasol./Gas (CNG)	FWD	1395	81	110	10.13-08.18	■
1.6 TDI (CLHB)		Diesel	FWD	1598	66	90	11.13-08.18	■
1.6 TDI (CXXA)		Diesel	FWD	1598	66	90	11.13-08.18	■
1.6 TDI (DDYB)		Diesel	FWD	1598	66	90	11.13-08.18	■
1.6 TDI (CLHA)		Diesel	FWD	1598	77	105	10.13-08.20	■
1.6 TDI 4Drive (CLHA)		Diesel	4WD	1598	77	105	04.14-08.20	■
1.6 TDI (CRKB)		Diesel	FWD	1598	81	110	09.13-08.20	■
1.6 TDI (CXXB)		Diesel	FWD	1598	81	110	09.13-08.20	■
1.6 TDI (DBKA)		Diesel	FWD	1598	81	110	09.13-08.20	■
1.6 TDI 4Drive (CXXB)		Diesel	4WD	1598	81	110	11.14-08.20	■
2.0 TDI (CRVA)		Diesel	FWD	1968	81	110	02.13-12.16	■
2.0 TDI (CRVC)		Diesel	FWD	1968	105	143	10.13-08.18	■
2.0 TDI (CKFC)		Diesel	FWD	1968	110	150	10.13-08.20	■
2.0 TDI (CRBC)		Diesel	FWD	1968	110	150	10.13-08.20	■
2.0 TDI (CRLB)		Diesel	FWD	1968	110	150	10.13-08.20	■
2.0 TDI (CRMB)		Diesel	FWD	1968	110	150	10.13-08.20	■
2.0 TDI (DFFA)		Diesel	FWD	1968	110	150	10.13-08.20	■
2.0 TDI (DFGA)		Diesel	FWD	1968	110	150	10.13-08.20	■
2.0 TDI 4Drive (CRBC)		Diesel	4WD	1968	110	150	04.14-08.20	■
2.0 TDI 4Drive (CRLB)		Diesel	4WD	1968	110	150	04.14-08.20	■
2.0 TDI 4Drive (CRMB)		Diesel	4WD	1968	110	150	04.14-08.20	■
2.0 TDI 4Drive (DCYA)		Diesel	4WD	1968	110	150	04.14-08.20	■
2.0 TDI 4Drive (DFGA)		Diesel	4WD	1968	110	150	04.14-08.20	■
2.0 TDI (CUNA)		Diesel	FWD	1968	135	184	08.13-08.20	■
2.0 TDI (CUPA)		Diesel	FWD	1968	135	184	08.13-08.20	■
2.0 TDI (DJGA)		Diesel	FWD	1968	135	184	08.13-08.20	■
2.0 TDI 4Drive (CUNA)		Diesel	4WD	1968	135	184	11.14-08.18	■
2.0 TDI 4Drive (DJGA)		Diesel	4WD	1968	135	184	11.14-08.18	■
<b>LEON IV (KL1, KLG) 11.19-</b>							<b>Hatchback (Compact car-C Segment)</b>	
1.0 TSI (DLAB)		Gasolina	FWD	999	66	90	03.20-	■
1.0 TSI (DLAA)		Gasolina	FWD	999	81	110	03.20-	■
1.5 TSI (DPBA)		Gasolina	FWD	1495	96	131	11.19-	■
1.5 TSI (DPCA)		Gasolina	FWD	1498	110	150	11.19-	■
2.0 TFSI		Gasolina	FWD	1984	140	190	03.21-	■
1.5 TGI CNG (DHFA)		Gasol./Gas (CNG)	FWD	1498	96	131	08.20-	■
1.0 TSI Mild Hybrid		Gasol./el éc.	FWD	999	81	110	08.20-	■
1.4 TSI e-Hybrid		Gasol./el éc.	FWD	1395	150	204	05.20-	■
1.5 eTSI (DFYA)		Gasol./el éc.	FWD	1498	110	150	11.19-	■

# LISTA DE APLICACIONES - BUYERS GUIDE

2.0 TDI (DSUD)		Diesel	FWD	1968	85	116	11.19-	■	
2.0 TDI (DSTB)		Diesel	FWD	1968	110	150	11.19-	■	
<b>LEON IV Sportstourer (KL8, KLD) 03.20-</b>					<b>Estate (Compact car-C Segment)</b>				
1.0 TSI (DLAB)		Gasolina	FWD	999	66	90	03.20-	■	
1.0 TSI (DLAA)		Gasolina	FWD	999	81	110	03.20-	■	
1.5 TSI (DPBA)		Gasolina	FWD	1495	96	131	03.20-	■	
1.5 TSI (DPCA)		Gasolina	FWD	1498	110	150	03.20-	■	
2.0 TFSI		Gasolina	FWD	1984	140	190	03.21-	■	
1.5 TGI		Gasol./Gas (CNG)	FWD	1498	96	131	05.21-	■	
1.0 TSI Mild Hybrid		Gasol./eléc.	FWD	999	81	110	08.20-	■	
1.4 TSI e-Hybrid		Gasol./eléc.	FWD	1395	150	204	05.20-	■	
1.5 eTSI (DFYA)		Gasol./eléc.	FWD	1498	110	150	03.20-	■	
2.0 TDI		Diesel	FWD	1968	85	116	11.20-	■	
2.0 TDI (DSTB)		Diesel	FWD	1968	110	150	04.20-	■	
TDI 4Drive		Diesel	4WD	1968	110	150	11.20-	■	
<b>TARRACO (KN2) 09.18-</b>					<b>SUV (Compact Crossover CUV-C Segment)</b>				
1.5 TSI ACT (DADA)		Gasolina	FWD	1498	110	150	09.18-05.24	■	
1.5 TSI ACT (DPCA)		Gasolina	FWD	1498	110	150	09.18-05.24	■	
2.0 TSI 4Drive (DKZA)		Gasolina	4WD	1984	140	190	09.18-05.24	■	
2.0 TFSI 4Drive		Gasolina	4WD	1984	180	245	01.21-05.24	■	
TSI e-HYBRID		Gasol./eléc.	FWD	1395	180	245	02.21-05.24	■	
2.0 TDI (DFGA)		Diesel	FWD	1968	110	150	09.18-05.24	■	
2.0 TDI 4Drive (DFGA)		Diesel	4WD	1968	110	150	09.18-05.24	■	
2.0 TDI 4Drive (DFHA)		Diesel	4WD	1968	140	190	09.18-05.24	■	
2.0 TDI 4Drive (DTUA)		Diesel	4WD	1968	147	200	07.20-05.24	■	
<b>SKODA</b>									
<b>KODIAQ (NS6, NS7, NV7) 10.16-</b>					<b>SUV (Large SUV-J Segment)</b>				
1.4 TSI (CZCA)		Gasolina	FWD	1395	92	125	10.16-	■	
1.4 TSI (CZDA)		Gasolina	FWD	1395	110	150	10.16-	■	
1.4 TSI (CZEA)		Gasolina	FWD	1395	110	150	10.16-	■	
1.4 TSI 4x4 (CZDA)		Gasolina	4WD	1395	110	150	10.16-	■	
1.4 TSI 4x4 (CZEA)		Gasolina	4WD	1395	110	150	10.16-	■	
1.5 TSI (DADA)		Gasolina	FWD	1498	110	150	07.18-	■	
1.5 TSI (DPCA)		Gasolina	FWD	1498	110	150	07.18-	■	
1.5 TSI 4x4 (DADA)		Gasolina	4WD	1498	110	150	07.18-	■	
1.5 TSI 4x4 (DPCA)		Gasolina	4WD	1498	110	150	07.18-	■	
2.0 TSI 4x4 (CZPA)		Gasolina	4WD	1984	132	180	10.16-	■	
2.0 TSI 4x4 (DKZA)		Gasolina	4WD	1984	140	190	02.19-	■	
2.0 RS 4x4		Gasolina	4WD	1984	180	245	06.21-	■	
2.0 TDI		Diesel	FWD	1968	85	116	07.18-	■	
2.0 TDI (DBGA)		Diesel	FWD	1968	110	150	10.16-	■	
2.0 TDI (DBGC)		Diesel	FWD	1968	110	150	10.16-	■	
2.0 TDI (DFGA)		Diesel	FWD	1968	110	150	10.16-	■	
2.0 TDI (DTSB)		Diesel	FWD	1968	110	150	10.16-	■	
2.0 TDI 4x4 (DBGA)		Diesel	4WD	1968	110	150	10.16-	■	
2.0 TDI 4x4 (DBGC)		Diesel	4WD	1968	110	150	10.16-	■	
2.0 TDI 4x4 (DFGA)		Diesel	4WD	1968	110	150	10.16-	■	

# LISTA DE APLICACIONES - BUYERS GUIDE

2.0 TDI 4x4 (DTSB)		Diesel	4WD	1968	110	150	10.16-	■	
2.0 TDI 4x4 (CRGB)		Diesel	4WD	1968	130	177	04.17-	■	
2.0 TDI 4x4 (DFHA)		Diesel	4WD	1968	140	190	10.16-	■	
2.0 TDI 4x4 (DTUA)		Diesel	4WD	1968	147	200	06.20-	■	
2.0 RS Bi-TDI 4x4 (CUAA)		Diesel	4WD	1968	176	239	11.18-	■	
<b>OCTAVIA IV (NX3, NN3, PV3) 01.20-</b>					<b>Hatchback (Compact car-C Segment)</b>				
2.0 TSI 4x4 (CZPB, DNNA)		Gasolina	4WD	1984	140	190	07.20-	■	
2.0 TSI RS (DLBA)		Gasolina	FWD	1984	180	245	03.20-	■	
1.4 TSI iV		Gasol./el éc.	FWD	1395	150	204	06.20-	■	
1.4 TSI RS iV		Gasol./el éc.	FWD	1395	180	245	06.20-	■	
2.0 TDI RS (DTUA)		Diesel	FWD	1968	147	200	07.20-	■	
2.0 TDI RS 4x4 (DTUA)		Diesel	4WD	1968	147	200	07.20-	■	
<b>OCTAVIA IV Combi (NX5, PV5) 11.19-</b>					<b>Estate (Compact car-C Segment)</b>				
1.6 SRE		Gasolina	FWD	1598	81	110	09.20-	■	
2.0 TSI 4x4		Gasolina	4WD	1984	140	190	09.20-	■	
2.0 TSI RS (DLBA)		Gasolina	FWD	1984	180	245	03.20-	■	
1.4 TSI iV		Gasol./el éc.	FWD	1395	150	204	06.20-	■	
1.4 TSI RS iV		Gasol./el éc.	FWD	1395	180	245	06.20-	■	
2.0 TDI RS (DTUA)		Diesel	FWD	1968	147	200	07.20-	■	
2.0 TDI RS 4x4 (DTUA)		Diesel	4WD	1968	147	200	07.20-	■	
<b>OCTAVIA III (5E3, NL3, NR3) 11.12-</b>					<b>Hatchback (Compact car-C Segment)</b>				
1.2 TSI (CJZB)		Gasolina	FWD	1197	63	86	11.12-02.17	■	
1.2 TSI (CYVA)		Gasolina	FWD	1197	63	86	11.12-02.17	■	
1.2 TSI (CJZA)		Gasolina	FWD	1197	77	105	11.12-02.17	■	
1.4 TSI (CHPA)		Gasolina	FWD	1395	103	140	11.12-02.17	■	
1.5 TSI (DADA)		Gasolina	FWD	1498	110	150	02.17-10.20	■	
1.5 TSI (DPCA)		Gasolina	FWD	1498	110	150	02.17-10.20	■	
1.6 (CWVA)		Gasolina	FWD	1598	81	110	01.14-10.20	■	
1.8 TSI (CJSA)		Gasolina	FWD	1798	132	180	11.12-10.20	■	
1.8 TSI 4x4 (CJSB)		Gasolina	4WD	1798	132	180	05.14-10.20	■	
2.0 TSI (DKZA)		Gasolina	FWD	1984	140	190	02.17-10.20	■	
2.0 TSI 4x4 (DKZA)		Gasolina	4WD	1984	140	190	02.19-10.20	■	
2.0 TSI RS (CHHB)		Gasolina	FWD	1984	162	220	05.13-02.17	■	
2.0 TSI RS (DHGA)		Gasolina	FWD	1984	180	245	02.17-10.20	■	
2.0 TSI RS (DKTB)		Gasolina	FWD	1984	180	245	02.17-10.20	■	
2.0 TSI RS (DLBA)		Gasolina	FWD	1984	180	245	02.17-10.20	■	
1.4 TSI G-TEC (CPWA)		Gasol./Gas (CNG)	FWD	1395	81	110	11.13-02.17	■	
1.6 TDI (CLHB)		Diesel	FWD	1598	66	90	11.12-10.20	■	
1.6 TDI (CRKA)		Diesel	FWD	1598	66	90	11.12-10.20	■	
1.6 TDI (CXXA)		Diesel	FWD	1598	66	90	11.12-10.20	■	
1.6 TDI (DDYB)		Diesel	FWD	1598	66	90	11.12-10.20	■	
1.6 TDI (CLHA)		Diesel	FWD	1598	77	105	11.12-05.15	■	
1.6 TDI 4x4 (CLHA)		Diesel	4WD	1598	77	105	05.13-05.15	■	
1.6 TDI (CRKB)		Diesel	FWD	1598	81	110	05.13-02.17	■	
1.6 TDI (CXXB)		Diesel	FWD	1598	81	110	05.13-02.17	■	
1.6 TDI (DBKA)		Diesel	FWD	1598	81	110	05.13-02.17	■	
1.6 TDI 4x4 (DGTE)		Diesel	4WD	1598	85	115	02.17-10.20	■	

# LISTA DE APLICACIONES - BUYERS GUIDE

2.0 TDI (CKFB)		Diesel	FWD	1968	105	143	11.12-02.17	■
2.0 TDI (CRVC)		Diesel	FWD	1968	105	143	11.12-02.17	■
2.0 TDI (CKFC)		Diesel	FWD	1968	110	150	11.12-10.20	■
2.0 TDI (CRMB)		Diesel	FWD	1968	110	150	11.12-10.20	■
2.0 TDI (CYKA)		Diesel	FWD	1968	110	150	11.12-10.20	■
2.0 TDI (DCYA)		Diesel	FWD	1968	110	150	11.12-10.20	■
2.0 TDI (DFFA)		Diesel	FWD	1968	110	150	11.12-10.20	■
2.0 TDI 4x4 (CKFC)		Diesel	4WD	1968	110	150	05.13-10.20	■
2.0 TDI 4x4 (CRMB)		Diesel	4WD	1968	110	150	05.13-10.20	■
2.0 TDI 4x4 (DCYA)		Diesel	4WD	1968	110	150	05.13-10.20	■
2.0 TDI 4x4 (DFFA)		Diesel	4WD	1968	110	150	05.13-10.20	■
2.0 TDI / TDI RS 4x4 (CUNA)		Diesel	4WD	1968	135	184	05.13-10.20	■
2.0 TDI / TDI RS 4x4 (CUPA)		Diesel	4WD	1968	135	184	05.13-10.20	■
2.0 TDI / TDI RS 4x4 (DJGA)		Diesel	4WD	1968	135	184	05.13-10.20	■
2.0 TDI RS (CUNA)		Diesel	FWD	1968	135	184	05.13-10.20	■
2.0 TDI RS (CUPA)		Diesel	FWD	1968	135	184	05.13-10.20	■
2.0 TDI RS (DJGA)		Diesel	FWD	1968	135	184	05.13-10.20	■
<b>OCTAVIA III Combi (5E5, 5E6) 11.12-</b>					<b>Estate (Compact car-C Segment)</b>			
1.2 TSI (CJZB)		Gasolina	FWD	1197	63	86	11.12-02.17	■
1.2 TSI (CYVA)		Gasolina	FWD	1197	63	86	11.12-02.17	■
1.2 TSI (CJZA)		Gasolina	FWD	1197	77	105	11.12-02.17	■
1.4 TSI (CHPA)		Gasolina	FWD	1395	103	140	11.12-02.17	■
1.5 TSI (DADA)		Gasolina	FWD	1498	110	150	02.17-10.20	■
1.5 TSI (DPCA)		Gasolina	FWD	1498	110	150	02.17-10.20	■
1.6 SRE (CWVA)		Gasolina	FWD	1598	81	110	01.14-02.17	■
1.8 TSI (CJSA)		Gasolina	FWD	1798	132	180	11.12-10.20	■
1.8 TSI (CJSB)		Gasolina	FWD	1798	132	180	11.12-10.20	■
1.8 TSI 4x4 (CJSB)		Gasolina	4WD	1798	132	180	11.12-02.17	■
2.0 TSI (DKZA)		Gasolina	FWD	1984	140	190	02.17-10.20	■
2.0 TSI 4x4 (DKZA)		Gasolina	4WD	1984	140	190	02.19-10.20	■
2.0 TSI RS (CHHB)		Gasolina	FWD	1984	162	220	11.12-02.17	■
2.0 TSI RS (DHGA)		Gasolina	FWD	1984	180	245	02.17-10.20	■
2.0 TSI RS (DKTB)		Gasolina	FWD	1984	180	245	02.17-10.20	■
2.0 TSI RS (DLBA)		Gasolina	FWD	1984	180	245	02.17-10.20	■
1.4 TSI G-TEC (CPWA)		Gasol./Gas (CNG)	FWD	1395	81	110	11.12-02.17	■
1.5 TSI G-TEC (DHFA)		Gasol./Gas (CNG)	FWD	1498	96	130	01.19-10.20	■
1.6 TDI (CLHB)		Diesel	FWD	1598	66	90	11.12-10.20	■
1.6 TDI (CRKA)		Diesel	FWD	1598	66	90	11.12-10.20	■
1.6 TDI (CXXA)		Diesel	FWD	1598	66	90	11.12-10.20	■
1.6 TDI (DDYB)		Diesel	FWD	1598	66	90	11.12-10.20	■
1.6 TDI (CLHA)		Diesel	FWD	1598	77	105	11.12-05.15	■
1.6 TDI 4x4 (CLHA)		Diesel	4WD	1598	77	105	11.12-05.15	■
1.6 TDI (CRKB)		Diesel	FWD	1598	81	110	05.13-02.17	■
1.6 TDI (CXXB)		Diesel	FWD	1598	81	110	05.13-02.17	■
1.6 TDI (DBKA)		Diesel	FWD	1598	81	110	05.13-02.17	■
1.6 TDI 4x4 (DGTE)		Diesel	4WD	1598	85	115	02.17-10.20	■
2.0 TDI (CKFB)		Diesel	FWD	1968	105	143	11.12-02.17	■
2.0 TDI (CRVC)		Diesel	FWD	1968	105	143	11.12-02.17	■
2.0 TDI (CKFC)		Diesel	FWD	1968	110	150	11.12-10.20	■

# LISTA DE APLICACIONES - BUYERS GUIDE

2.0 TDI (CRMB)		Diesel	FWD	1968	110	150	11.12-10.20	■
2.0 TDI (CYKA)		Diesel	FWD	1968	110	150	11.12-10.20	■
2.0 TDI (DCYA)		Diesel	FWD	1968	110	150	11.12-10.20	■
2.0 TDI (DFFA)		Diesel	FWD	1968	110	150	11.12-10.20	■
2.0 TDI 4x4 (CKFC)		Diesel	4WD	1968	110	150	11.12-10.20	■
2.0 TDI 4x4 (CRMB)		Diesel	4WD	1968	110	150	11.12-10.20	■
2.0 TDI 4x4 (DCYA)		Diesel	4WD	1968	110	150	11.12-10.20	■
2.0 TDI 4x4 (DFFA)		Diesel	4WD	1968	110	150	11.12-10.20	■
2.0 TDI / TDI RS 4x4 (CUNA)		Diesel	4WD	1968	135	184	05.13-10.20	■
2.0 TDI / TDI RS 4x4 (CUPA)		Diesel	4WD	1968	135	184	05.13-10.20	■
2.0 TDI / TDI RS 4x4 (DJGA)		Diesel	4WD	1968	135	184	05.13-10.20	■
2.0 TDI RS (CUNA)		Diesel	FWD	1968	135	184	05.13-10.20	■
2.0 TDI RS (CUPA)		Diesel	FWD	1968	135	184	05.13-10.20	■
2.0 TDI RS (DJGA)		Diesel	FWD	1968	135	184	05.13-10.20	■
<b>SUPERB III (3V5) 03.15-</b>					<b>Estate (Executive car-E Segment)</b>			
1.4 TSI (CZDA)		Gasolina	FWD	1395	110	150	03.15-06.24	■
1.4 TSI (CZEA)		Gasolina	FWD	1395	110	150	03.15-06.24	■
1.4 TSI 4x4 (CZEA)		Gasolina	4WD	1395	110	150	03.15-06.24	■
1.5 TSI (DADA)		Gasolina	FWD	1498	110	150	03.15-06.24	■
1.5 TSI (DPCA)		Gasolina	FWD	1498	110	150	03.15-06.24	■
1.8 TSI (CJSA)		Gasolina	FWD	1798	132	180	03.15-06.24	■
1.8 TSI (CJSC)		Gasolina	FWD	1798	132	180	03.15-06.24	■
2.0 TSI (CZPB)		Gasolina	FWD	1984	140	190	07.19-06.24	■
2.0 TSI (DKZA)		Gasolina	FWD	1984	140	190	07.19-06.24	■
2.0 TSI (DNNA)		Gasolina	FWD	1984	140	190	07.19-06.24	■
2.0 TSI (CHHB)		Gasolina	FWD	1984	162	220	03.15-06.24	■
2.0 TSI 4x4 (DNUA)		Gasolina	4WD	1984	200	272	03.15-06.24	■
2.0 TSI 4x4 (CJXA)		Gasolina	4WD	1984	206	280	03.15-06.24	■
2.0 TSI 4x4 (DNFE)		Gasolina	4WD	1984	206	280	03.15-06.24	■
1.4 TSI iV		Gasol./el éc.	FWD	1395	160	218	08.19-06.24	■
1.6 TDI (DCXA)		Diesel	FWD	1598	88	120	03.15-06.24	■
1.6 TDI (DCZA)		Diesel	FWD	1598	88	120	03.15-06.24	■
2.0 TDI		Diesel	FWD	1968	90	122	07.20-06.24	■
2.0 TDI (CRLB)		Diesel	FWD	1968	110	150	03.15-06.24	■
2.0 TDI (DFEA)		Diesel	FWD	1968	110	150	03.15-06.24	■
2.0 TDI (DFGA)		Diesel	FWD	1968	110	150	03.15-06.24	■
2.0 TDI (DSRA)		Diesel	FWD	1968	110	150	03.15-06.24	■
2.0 TDI (DSRB)		Diesel	FWD	1968	110	150	03.15-06.24	■
2.0 TDI 4x4 (CRLB)		Diesel	4WD	1968	110	150	03.15-06.24	■
2.0 TDI 4x4 (DFEA)		Diesel	4WD	1968	110	150	03.15-06.24	■
2.0 TDI 4x4 (DFGA)		Diesel	4WD	1968	110	150	03.15-06.24	■
2.0 TDI		Diesel	FWD	1968	130	177	03.15-06.24	■
2.0 TDI (DDAA)		Diesel	FWD	1968	140	190	03.15-06.24	■
2.0 TDI (DFCA)		Diesel	FWD	1968	140	190	03.15-06.24	■
2.0 TDI (DFHA)		Diesel	FWD	1968	140	190	03.15-06.24	■
2.0 TDI 4x4 (DDAA)		Diesel	4WD	1968	140	190	03.15-06.24	■
2.0 TDI 4x4 (DFCA)		Diesel	4WD	1968	140	190	03.15-06.24	■
2.0 TDI 4x4 (DFHA)		Diesel	4WD	1968	140	190	03.15-06.24	■
2.0 TDI (DTUA)		Diesel	FWD	1968	147	200	09.20-06.24	■
2.0 TDI 4x4 (DTUA)		Diesel	4WD	1968	147	200	09.20-06.24	■

# LISTA DE APLICACIONES - BUYERS GUIDE

<b>SUPERB III (3V3) 03.15-</b>					<b>Hatchback (Executive car-E Segment)</b>			
1.4 TSI (CZCA)		Gasolina	FWD	1395	92	125	03.15-06.24	■
1.4 TSI (CZDA)		Gasolina	FWD	1395	110	150	03.15-06.24	■
1.4 TSI (CZEA)		Gasolina	FWD	1395	110	150	03.15-06.24	■
1.4 TSI 4x4 (CZEA)		Gasolina	4WD	1395	110	150	03.15-06.24	■
1.5 TSI (DADA)		Gasolina	FWD	1498	110	150	02.17-06.24	■
1.5 TSI (DPCA)		Gasolina	FWD	1498	110	150	02.17-06.24	■
1.8 TSI (CJSA)		Gasolina	FWD	1798	132	180	03.15-06.24	■
1.8 TSI (CJSC)		Gasolina	FWD	1798	132	180	03.15-06.24	■
2.0 TSI (CZPB)		Gasolina	FWD	1984	140	190	07.19-06.24	■
2.0 TSI (DKZA)		Gasolina	FWD	1984	140	190	07.19-06.24	■
2.0 TSI (DNNA)		Gasolina	FWD	1984	140	190	07.19-06.24	■
2.0 TSI (CHHB)		Gasolina	FWD	1984	162	220	03.15-06.24	■
2.0 TSI 4x4 (DNUA)		Gasolina	4WD	1984	200	272	03.15-06.24	■
2.0 TSI 4x4 (CJXA)		Gasolina	4WD	1984	206	280	03.15-06.24	■
2.0 TSI 4x4 (DNFE)		Gasolina	4WD	1984	206	280	03.15-06.24	■
1.4 TSI iV		Gasol./el éc.	FWD	1395	160	218	08.19-06.24	■
1.6 TDI (DCXA)		Diesel	FWD	1598	88	120	03.15-06.24	■
1.6 TDI (DCZA)		Diesel	FWD	1598	88	120	03.15-06.24	■
2.0 TDI		Diesel	FWD	1968	90	122	07.20-06.24	■
2.0 TDI (CRLB)		Diesel	FWD	1968	110	150	03.15-06.24	■
2.0 TDI (DFEA)		Diesel	FWD	1968	110	150	03.15-06.24	■
2.0 TDI (DFGA)		Diesel	FWD	1968	110	150	03.15-06.24	■
2.0 TDI (DSRA)		Diesel	FWD	1968	110	150	03.15-06.24	■
2.0 TDI (DSRB)		Diesel	FWD	1968	110	150	03.15-06.24	■
2.0 TDI 4x4 (CRLB)		Diesel	4WD	1968	110	150	03.15-06.24	■
2.0 TDI 4x4 (DFEA)		Diesel	4WD	1968	110	150	03.15-06.24	■
2.0 TDI 4x4 (DFGA)		Diesel	4WD	1968	110	150	03.15-06.24	■
2.0 TDI		Diesel	FWD	1968	130	177	03.15-06.24	■
2.0 TDI (DDAA)		Diesel	FWD	1968	140	190	03.15-06.24	■
2.0 TDI (DFCA)		Diesel	FWD	1968	140	190	03.15-06.24	■
2.0 TDI (DFHA)		Diesel	FWD	1968	140	190	03.15-06.24	■
2.0 TDI 4x4 (DDAA)		Diesel	4WD	1968	140	190	03.15-06.24	■
2.0 TDI 4x4 (DFCA)		Diesel	4WD	1968	140	190	03.15-06.24	■
2.0 TDI 4x4 (DFHA)		Diesel	4WD	1968	140	190	03.15-06.24	■
2.0 TDI (DTUA)		Diesel	FWD	1968	147	200	09.20-06.24	■
2.0 TDI 4x4 (DTUA)		Diesel	4WD	1968	147	200	09.20-06.24	■
<b>SUPERB IV (NZ5) 11.23-</b>					<b>Estate (Executive car-E Segment)</b>			
1.5 TSI mHEV		Gasol./el éc.	FWD	1498	110	150	11.23-	■
2.0 TDI		Diesel	FWD	1968	110	150	11.23-	■
<b>VW</b>								
<b>ARTEON (3H7, 3H8) 03.17-</b>					<b>Hatchback (Large family car-D Segment)</b>			
1.5 TSI (DADA)		Gasolina	FWD	1498	110	150	11.17-	■
1.5 TSI (DPCA)		Gasolina	FWD	1498	110	150	11.17-	■
2.0 TSI (CZPB)		Gasolina	FWD	1984	140	190	05.17-06.21	■
2.0 TSI (DKZA)		Gasolina	FWD	1984	140	190	05.17-06.21	■
2.0 TSI 4motion (DLRB)		Gasolina	4WD	1984	200	272	04.18-	■
2.0 TSI 4motion (DNUA)		Gasolina	4WD	1984	200	272	04.18-	■
2.0 TSI 4motion (DJHC)		Gasolina	4WD	1984	206	280	04.17-	■

# LISTA DE APLICACIONES - BUYERS GUIDE

2.0 TSi R 4motion		Gasolina	4WD	1984	235	320	11.20-	■	
1.4 eHybrid		Gasol./el éc.	FWD	1395	160	218	11.20-	■	
2.0 TDI (DBGA)		Diesel	FWD	1968	110	150	03.17-	■	
2.0 TDI (DFGA)		Diesel	FWD	1968	110	150	03.17-	■	
2.0 TDI (DSRA)		Diesel	FWD	1968	110	150	03.17-	■	
2.0 TDI (DSRB)		Diesel	FWD	1968	110	150	03.17-	■	
2.0 TDI (DTSA)		Diesel	FWD	1968	110	150	03.17-	■	
2.0 TDI (DTSB)		Diesel	FWD	1968	110	150	03.17-	■	
2.0 TDI (DFHA)		Diesel	FWD	1968	140	190	05.17-	■	
2.0 TDI 4motion (DFHA)		Diesel	4WD	1968	140	190	05.17-	■	
2.0 TDI		Diesel	FWD	1968	147	200	09.20-	■	
2.0 TDI 4motion		Diesel	4WD	1968	147	200	09.20-	■	
2.0 TDI 4motion (CUAA)		Diesel	4WD	1968	176	240	03.17-07.20	■	
<b>ARTEON SHOOTING BRAKE (3H9) 06.20-</b>					<b>Estate (Large family car-D Segment)</b>				
1.5 TSI (DADA)		Gasolina	FWD	1498	110	150	08.20-	■	
1.5 TSI (DPCA)		Gasolina	FWD	1498	110	150	08.20-	■	
2.0 TSI		Gasolina	FWD	1984	140	190	09.20-06.21	■	
2.0 TSI 4motion (DLRB)		Gasolina	4WD	1984	200	272	06.20-	■	
2.0 TSI 4motion		Gasolina	4WD	1984	206	280	06.20-	■	
2.0 TSi R 4motion		Gasolina	4WD	1984	235	320	11.20-	■	
1.4 eHybrid		Gasol./el éc.	FWD	1395	160	218	11.20-	■	
2.0 TDI (DSRA)		Diesel	FWD	1968	110	150	09.20-	■	
2.0 TDI (DSRB)		Diesel	FWD	1968	110	150	09.20-	■	
2.0 TDI (DTSB)		Diesel	FWD	1968	110	150	09.20-	■	
2.0 TDI (DFHA)		Diesel	FWD	1968	140	190	09.20-	■	
2.0 TDI 4motion (DFHA)		Diesel	4WD	1968	140	190	09.20-	■	
2.0 TDI		Diesel	FWD	1968	147	200	09.20-	■	
2.0 TDI 4motion (DTUA)		Diesel	4WD	1968	147	200	09.20-	■	
<b>CC B7 (358) 11.11-10.17</b>					<b>Coupe (Large family car-D Segment)</b>				
1.4 TSI (CTHD)		Gasolina	FWD	1390	118	160	11.11-12.16	■	
1.4 TSI (CZDA)		Gasolina	FWD	1395	110	150	05.15-12.16	■	
1.8 TSI (CDAB)		Gasolina	FWD	1798	112	152	11.11-12.16	■	
1.8 TSI (CDAA)		Gasolina	FWD	1798	118	160	11.11-12.16	■	
2.0 TFSI (CBFA)		Gasolina	FWD	1984	147	200	11.11-12.16	■	
2.0 TFSI (CCTA)		Gasolina	FWD	1984	147	200	11.11-12.16	■	
2.0 TSI (CCZB)		Gasolina	FWD	1984	155	210	11.11-12.16	■	
3.6 FSI 4motion (BWS)		Gasolina	4WD	3597	220	300	11.11-12.16	■	
1.4 TSI MultiFuel (CKMA)		Gasol./Et anol	FWD	1390	118	160	11.11-12.16	■	
2.0 TDI (CFFA)		Diesel	FWD	1968	100	136	11.11-12.16	■	
2.0 TDI (CFFB)		Diesel	FWD	1968	103	140	11.11-12.16	■	
2.0 TDI 4motion (CFFB)		Diesel	4WD	1968	103	140	11.11-12.16	■	
2.0 TDI (CUVC)		Diesel	FWD	1968	110	150	05.15-12.16	■	
2.0 TDI (CFGB)		Diesel	FWD	1968	125	170	11.11-12.16	■	
2.0 TDI (CLLA)		Diesel	FWD	1968	125	170	11.11-12.16	■	
2.0 TDI 4motion (CFGB)		Diesel	4WD	1968	125	170	11.11-01.13	■	
2.0 TDI (CFGC)		Diesel	FWD	1968	130	177	12.12-12.16	■	
2.0 TDI 4motion (CFGC)		Diesel	4WD	1968	130	177	12.12-12.16	■	
2.0 TDI (CUWA)		Diesel	FWD	1968	135	184	05.15-12.16	■	

# LISTA DE APLICACIONES - BUYERS GUIDE

<b>GOLF VII / JETTA VII (5G1, BQ1) 08.12-</b>					<b>Hatchback Van (Compact car-C Segment)</b>			
1.2 TSI (CJZB)		Gasolina	FWD	1197	63	86	08.12-03.17	■
1.2 TSI (CJZA)		Gasolina	FWD	1197	77	105	11.12-03.17	■
1.4 TSI (CXSA)		Gasolina	FWD	1395	90	122	05.13-03.17	■
1.4 TSI (CHPA)		Gasolina	FWD	1395	103	140	08.12-03.17	■
2.0 GTI (CHHB)		Gasolina	FWD	1984	162	220	04.13-03.17	■
2.0 GTI (CHHA)		Gasolina	FWD	1984	169	230	04.15-03.17	■
1.6 TDI (CRKA)		Diesel	FWD	1598	66	90	04.13-03.17	■
1.6 TDI (CLHA)		Diesel	FWD	1598	77	105	08.12-03.17	■
1.6 TDI (CRKB)		Diesel	FWD	1598	81	110	11.13-03.17	■
1.6 TDI (CXXB)		Diesel	FWD	1598	81	110	11.13-03.17	■
2.0 TDI		Diesel	FWD	1968	110	150	05.13-05.14	■
2.0 TDI 4motion (CRBC)		Diesel	4WD	1968	110	150	05.13-05.14	■
2.0 GTD (CUNA)		Diesel	FWD	1968	135	184	04.13-03.17	■
<b>GOLF VII / JETTA VII (5G1, BQ1, BE1, BE2) 08.12-</b>					<b>Hatchback (Compact car-C Segment)</b>			
1.2 TSI (CJZB)		Gasolina	FWD	1197	63	86	08.12-03.17	■
1.2 TSI (CYVA)		Gasolina	FWD	1197	63	86	08.12-03.17	■
1.2 TSI (CJZA)		Gasolina	FWD	1197	77	105	11.12-08.20	■
1.2 TSI (CYVB)		Gasolina	FWD	1197	81	110	04.14-03.17	■
1.4 TSI (CMBA)		Gasolina	FWD	1395	90	122	11.12-03.17	■
1.4 TSI (CXSA)		Gasolina	FWD	1395	90	122	11.12-03.17	■
1.4 TSI (CZCA)		Gasolina	FWD	1395	92	125	05.14-08.20	■
1.4 TSI (CHPA)		Gasolina	FWD	1395	103	140	08.12-08.20	■
1.4 TSI (CPTA)		Gasolina	FWD	1395	103	140	08.12-08.20	■
1.4 TSI (CHPB)		Gasolina	FWD	1395	110	150	05.14-03.21	■
1.4 TSI (CZDA)		Gasolina	FWD	1395	110	150	05.14-03.21	■
1.4 TSI (CZEA)		Gasolina	FWD	1395	110	150	05.14-03.21	■
1.4 TSI (DGXA)		Gasolina	FWD	1395	110	150	05.14-03.21	■
1.6 (CWVA)		Gasolina	FWD	1598	81	110	05.14-07.17	■
2.0 GTI (CNTA)		Gasolina	FWD	1984	155	210	11.13-07.17	■
2.0 GTI (CXCA)		Gasolina	FWD	1984	155	210	11.13-07.17	■
2.0 GTI (CHHB)		Gasolina	FWD	1984	162	220	04.13-08.20	■
2.0 GTI (CNTC)		Gasolina	FWD	1984	162	220	04.13-08.20	■
2.0 GTI (CXCB)		Gasolina	FWD	1984	162	220	04.13-08.20	■
2.0 GTI (CXDA)		Gasolina	FWD	1984	162	220	04.13-08.20	■
2.0 GTI (CHHA)		Gasolina	FWD	1984	169	230	04.13-08.20	■
2.0 GTI (CXDB)		Gasolina	FWD	1984	169	230	04.13-08.20	■
2.0 GTI (DKTB)		Gasolina	FWD	1984	180	245	03.17-08.20	■
2.0 GTI (DLBA)		Gasolina	FWD	1984	180	245	03.17-08.20	■
2.0 GTI Clubsport (CJXE)		Gasolina	FWD	1984	195	265	02.16-03.17	■
2.0 R 4motion (CJXB)		Gasolina	4WD	1984	206	280	11.13-03.17	■
2.0 GTI TCR (CJXH)		Gasolina	FWD	1984	213	290	11.18-08.20	■
2.0 GTI TCR (DNUC)		Gasolina	FWD	1984	213	290	11.18-08.20	■
2.0 R		Gasolina	FWD	1984	213	290	11.13-	■
2.0 R 4motion (CJXD)		Gasolina	4WD	1984	213	290	12.16-08.20	■
2.0 R 4motion (DJHB)		Gasolina	4WD	1984	213	290	12.16-08.20	■
2.0 R 4motion (DNUC)		Gasolina	4WD	1984	213	290	12.16-08.20	■
2.0 R 4motion (CYFB)		Gasolina	4WD	1984	215	292	11.14-07.19	■
2.0 R 4motion (DJJA)		Gasolina	4WD	1984	215	292	11.14-07.19	■
2.0 R 4motion (DLRA)		Gasolina	4WD	1984	215	292	11.14-07.19	■

# LISTA DE APLICACIONES - BUYERS GUIDE

2.0 R 4motion (CJXC)		Gasolina	4WD	1984	221	300	11.13-08.20	■
2.0 R 4motion (DNUJ)		Gasolina	4WD	1984	221	300	11.13-08.20	■
2.0 GTI Clubsport S (CJXG)		Gasolina	FWD	1984	228	310	09.16-03.17	■
2.0 R 4motion (CJXG)		Gasolina	4WD	1984	228	310	12.16-08.20	■
2.0 R 4motion (DJHA)		Gasolina	4WD	1984	228	310	12.16-08.20	■
2.0 R 360S 4motion (CJXC)		Gasolina	4WD	1984	265	360	09.16-03.17	■
1.4 TGI CNG (CPWA)		Gasol./Gas (CNG)	FWD	1395	81	110	06.13-07.18	■
1.4 TGI CNG (CZBA)		Gasol./Gas (CNG)	FWD	1395	81	110	06.13-07.18	■
1.4 TSI MultiFuel (CPVA)		Gasol./Etanol	FWD	1395	90	122	11.12-03.17	■
1.4 TSI MultiFuel (CPVB)		Gasol./Etanol	FWD	1395	92	125	12.13-07.18	■
1.4 GTE Hybrid (CUKB)		Gasol./eléc.	FWD	1395	150	204	05.14-08.20	■
1.6 TDI (CLHB)		Diesel	FWD	1598	66	90	04.13-07.18	■
1.6 TDI (CRKA)		Diesel	FWD	1598	66	90	04.13-07.18	■
1.6 TDI (CXXA)		Diesel	FWD	1598	66	90	04.13-07.18	■
1.6 TDI (DDYB)		Diesel	FWD	1598	66	90	04.13-07.18	■
1.6 TDI (CLHA)		Diesel	FWD	1598	77	105	08.12-03.17	■
1.6 TDI 4motion (CLHA)		Diesel	4WD	1598	77	105	11.12-03.17	■
1.6 TDI (CRKB)		Diesel	FWD	1598	81	110	01.13-03.17	■
1.6 TDI (CXXB)		Diesel	FWD	1598	81	110	01.13-03.17	■
1.6 TDI (DBKA)		Diesel	FWD	1598	81	110	01.13-03.17	■
1.6 TDI 4motion (CRKB)		Diesel	4WD	1598	81	110	01.13-03.17	■
1.6 TDI 4motion (CXXB)		Diesel	4WD	1598	81	110	01.13-03.17	■
2.0 TDI (CRLD)		Diesel	FWD	1968	81	110	11.12-08.20	■
2.0 TDI (CRVA)		Diesel	FWD	1968	81	110	11.12-08.20	■
2.0 TDI (CYKB)		Diesel	FWD	1968	81	110	11.12-08.20	■
2.0 TDI (DCYB)		Diesel	FWD	1968	81	110	11.12-08.20	■
2.0 TDI (DEJB)		Diesel	FWD	1968	81	110	11.12-08.20	■
2.0 TDI (DFGB)		Diesel	FWD	1968	81	110	11.12-08.20	■
2.0 TDI (CRBB)		Diesel	FWD	1968	105	143	08.12-08.20	■
2.0 TDI (CRVC)		Diesel	FWD	1968	105	143	08.12-08.20	■
2.0 TDI (CRBC)		Diesel	FWD	1968	110	150	08.12-08.20	■
2.0 TDI (CRLB)		Diesel	FWD	1968	110	150	08.12-08.20	■
2.0 TDI (CRMB)		Diesel	FWD	1968	110	150	08.12-08.20	■
2.0 TDI (CRUA)		Diesel	FWD	1968	110	150	08.12-08.20	■
2.0 TDI (DCYA)		Diesel	FWD	1968	110	150	08.12-08.20	■
2.0 TDI (DEJA)		Diesel	FWD	1968	110	150	08.12-08.20	■
2.0 TDI (DFGA)		Diesel	FWD	1968	110	150	08.12-08.20	■
2.0 TDI 4motion (CKFC)		Diesel	4WD	1968	110	150	11.12-08.20	■
2.0 TDI 4motion (CRBC)		Diesel	4WD	1968	110	150	11.12-08.20	■
2.0 TDI 4motion (CRLB)		Diesel	4WD	1968	110	150	11.12-08.20	■
2.0 TDI 4motion (CRMB)		Diesel	4WD	1968	110	150	11.12-08.20	■
2.0 TDI 4motion (DCYA)		Diesel	4WD	1968	110	150	11.12-08.20	■
2.0 GTD		Diesel	FWD	1968	130	177	11.16-	■
2.0 GTD (CUNA)		Diesel	FWD	1968	135	184	04.13-08.20	■
2.0 GTD (DGCA)		Diesel	FWD	1968	135	184	04.13-08.20	■
2.0 GTD (DJGA)		Diesel	FWD	1968	135	184	04.13-08.20	■
<b>GOLF VII ALLTRACK Variant (BA5, BV5) 12.14-</b>				<b>Estate (Compact car-C Segment)</b>				
1.8 TSI 4motion (CJSB)		Gasolina	4WD	1798	132	180	12.14-08.20	■

# LISTA DE APLICACIONES - BUYERS GUIDE

1.6 TDI 4motion (CRKB)		Diesel	4WD	1598	81	110	12.14-03.17	■	
1.6 TDI 4motion (CXXB)		Diesel	4WD	1598	81	110	12.14-03.17	■	
2.0 TDI 4motion (CRBC)		Diesel	4WD	1968	110	150	12.14-08.20	■	
2.0 TDI 4motion (CRLB)		Diesel	4WD	1968	110	150	12.14-08.20	■	
2.0 TDI 4motion (DCYA)		Diesel	4WD	1968	110	150	12.14-08.20	■	
2.0 TDI 4motion (CUNA)		Diesel	4WD	1968	135	184	12.14-08.20	■	
2.0 TDI 4motion (DGCA)		Diesel	4WD	1968	135	184	12.14-08.20	■	
2.0 TDI 4motion (DJGA)		Diesel	4WD	1968	135	184	12.14-08.20	■	
<b>GOLF VII VAN Variant / JETTA VII (BA5) 04.13-03.17</b>							<b>Estate Van (Compact car-C Segment)</b>		
1.2 TSI (CJZB)		Gasolina	FWD	1197	63	86	05.13-03.17	■	
1.2 TSI (CYVA)		Gasolina	FWD	1197	63	86	05.13-03.17	■	
1.2 TSI (CJZA)		Gasolina	FWD	1197	77	105	04.13-03.17	■	
1.4 TSI (CXSA)		Gasolina	FWD	1395	90	122	05.13-03.17	■	
1.4 TSI (CHPA)		Gasolina	FWD	1395	103	140	05.13-03.17	■	
1.6 TDI (CLHB)		Diesel	FWD	1598	66	90	05.13-03.17	■	
1.6 TDI (CRKA)		Diesel	FWD	1598	66	90	05.13-03.17	■	
1.6 TDI (CXXA)		Diesel	FWD	1598	66	90	05.13-03.17	■	
1.6 TDI (CLHA)		Diesel	FWD	1598	77	105	05.13-03.17	■	
1.6 TDI 4motion (CLHA)		Diesel	4WD	1598	77	105	05.13-03.17	■	
1.6 TDI (CRKB)		Diesel	FWD	1598	81	110	05.13-03.17	■	
2.0 TDI (CRBC)		Diesel	FWD	1968	110	150	04.13-03.17	■	
2.0 TDI (CRLB)		Diesel	FWD	1968	110	150	04.13-03.17	■	
2.0 TDI 4motion (CRBC)		Diesel	4WD	1968	110	150	04.13-03.17	■	
2.0 TDI 4motion (CRLB)		Diesel	4WD	1968	110	150	04.13-03.17	■	
<b>GOLF VII Variant / JETTA VII (BA5, BV5) 04.13-</b>							<b>Estate (Compact car-C Segment)</b>		
1.2 TSI (CJZB)		Gasolina	FWD	1197	63	86	05.13-03.17	■	
1.2 TSI (CYVA)		Gasolina	FWD	1197	63	86	05.13-03.17	■	
1.2 TSI (CJZA)		Gasolina	FWD	1197	77	105	04.13-08.20	■	
1.2 TSI (CYVB)		Gasolina	FWD	1197	81	110	04.14-03.17	■	
1.4 TSI (CXSA)		Gasolina	FWD	1395	90	122	05.13-03.17	■	
1.4 TSI (CZCA)		Gasolina	FWD	1395	92	125	05.14-08.20	■	
1.4 TSI (CZDD)		Gasolina	FWD	1395	92	125	05.14-08.20	■	
1.4 TSI (CHPA)		Gasolina	FWD	1395	103	140	05.13-08.20	■	
1.4 TSI (CHPB)		Gasolina	FWD	1395	110	150	05.14-03.21	■	
1.4 TSI (CZDA)		Gasolina	FWD	1395	110	150	05.14-03.21	■	
1.4 TSI (DGXA)		Gasolina	FWD	1395	110	150	05.14-03.21	■	
1.6 (CWVA)		Gasolina	FWD	1598	81	110	05.14-07.17	■	
2.0 R 4motion (CJXB)		Gasolina	4WD	1984	206	280	03.15-03.17	■	
2.0 R 4motion (CJXD)		Gasolina	4WD	1984	213	290	12.16-08.20	■	
2.0 R 4motion (DJHB)		Gasolina	4WD	1984	213	290	12.16-08.20	■	
2.0 R 4motion (DNUC)		Gasolina	4WD	1984	213	290	12.16-08.20	■	
2.0 R 4motion (CJXC)		Gasolina	4WD	1984	221	300	03.15-08.20	■	
2.0 R 4motion (DNUE)		Gasolina	4WD	1984	221	300	03.15-08.20	■	
2.0 R 4motion (CJXG)		Gasolina	4WD	1984	228	310	12.16-08.20	■	
2.0 R 4motion (DJHA)		Gasolina	4WD	1984	228	310	12.16-08.20	■	
2.0 R 360S 4motion (CJXC)		Gasolina	4WD	1984	265	360	09.16-03.17	■	
1.4 TGI CNG (CPWA)		Gasol./Gas (CNG)	FWD	1395	81	110	09.13-07.18	■	
1.4 TSI MultiFuel (CPVA)		Gasol./Etanol	FWD	1395	90	122	04.13-03.17	■	
1.4 TSI MultiFuel (CPVB)		Gasol./Etanol	FWD	1395	92	125	05.14-03.17	■	

# LISTA DE APLICACIONES - BUYERS GUIDE

1.6 TDI (CLHB)		Diesel	FWD	1598	66	90	05.13-07.18	■
1.6 TDI (CRKA)		Diesel	FWD	1598	66	90	05.13-07.18	■
1.6 TDI (CXXA)		Diesel	FWD	1598	66	90	05.13-07.18	■
1.6 TDI (DDYB)		Diesel	FWD	1598	66	90	05.13-07.18	■
1.6 TDI (CLHA)		Diesel	FWD	1598	77	105	05.13-03.17	■
1.6 TDI 4motion (CLHA)		Diesel	4WD	1598	77	105	05.13-03.17	■
1.6 TDI (CRKB)		Diesel	FWD	1598	81	110	05.13-03.17	■
1.6 TDI (CXXB)		Diesel	FWD	1598	81	110	05.13-03.17	■
1.6 TDI (DBKA)		Diesel	FWD	1598	81	110	05.13-03.17	■
1.6 TDI 4motion (CRKB)		Diesel	4WD	1598	81	110	05.13-03.17	■
1.6 TDI 4motion (CXXB)		Diesel	4WD	1598	81	110	05.13-03.17	■
2.0 TDI (CRLD)		Diesel	FWD	1968	81	110	05.13-08.20	■
2.0 TDI (CRVA)		Diesel	FWD	1968	81	110	05.13-08.20	■
2.0 TDI (CYKB)		Diesel	FWD	1968	81	110	05.13-08.20	■
2.0 TDI (DCYB)		Diesel	FWD	1968	81	110	05.13-08.20	■
2.0 TDI (DEJB)		Diesel	FWD	1968	81	110	05.13-08.20	■
2.0 TDI (DFGB)		Diesel	FWD	1968	81	110	05.13-08.20	■
2.0 TDI (CRBC)		Diesel	FWD	1968	110	150	04.13-08.20	■
2.0 TDI (CRLB)		Diesel	FWD	1968	110	150	04.13-08.20	■
2.0 TDI (CRUA)		Diesel	FWD	1968	110	150	04.13-08.20	■
2.0 TDI (DCYA)		Diesel	FWD	1968	110	150	04.13-08.20	■
2.0 TDI (DEJA)		Diesel	FWD	1968	110	150	04.13-08.20	■
2.0 TDI (DFGA)		Diesel	FWD	1968	110	150	04.13-08.20	■
2.0 TDI 4motion (CRBC)		Diesel	4WD	1968	110	150	04.13-08.20	■
2.0 TDI 4motion (CRLB)		Diesel	4WD	1968	110	150	04.13-08.20	■
2.0 TDI 4motion (DCYA)		Diesel	4WD	1968	110	150	04.13-08.20	■
2.0 GTD		Diesel	FWD	1968	130	177	11.16-	■
2.0 GTD (CUNA)		Diesel	FWD	1968	135	184	01.15-07.19	■
2.0 GTD (DGCA)		Diesel	FWD	1968	135	184	01.15-07.19	■
2.0 GTD (DJGA)		Diesel	FWD	1968	135	184	01.15-07.19	■
<b>GOLF VIII ALLTRACK (CG5) 11.20-</b>					<b>Estate (Compact car-C Segment)</b>			
2.0 TSI 4motion		Gasolina	4WD	1984	140	190	03.21-11.24	■
2.0 TDI 4motion		Diesel	4WD	1968	147	200	11.20-	■
<b>GOLF VIII (CD1, DA1) 07.19-</b>					<b>Hatchback (Compact car-C Segment)</b>			
1.0 TSI (DLAB)		Gasolina	FWD	999	66	90	02.20-	■
1.0 TSI (DLAA)		Gasolina	FWD	999	81	110	02.20-	■
1.4 TSI (DJKA)		Gasolina	FWD	1395	110	150	01.21-	■
1.5 TSI (DPBA)		Gasolina	FWD	1495	96	131	07.19-	■
1.5 TSI (DPCA)		Gasolina	FWD	1498	110	150	07.19-	■
2.0 TSI		Gasolina	FWD	1984	140	190	06.21-11.24	■
2.0 TSI 4motion		Gasolina	4WD	1984	140	190	06.21-11.24	■
2.0 GTI (DNPA)		Gasolina	FWD	1984	180	245	08.20-	■
1.5 TGI		Gasol./Gas (CNG)	FWD	1498	96	131	09.20-	■
1.0 eTSI		Gasol./eléc.	FWD	999	81	110	06.20-	■
1.4 TSI eHybrid		Gasol./eléc.	FWD	1395	150	204	07.20-	■
1.4 GTE Plug-in Hybrid		Gasol./eléc.	FWD	1395	180	245	07.20-	■
1.5 eTSI		Gasol./eléc.	FWD	1495	96	131	11.20-	■

# LISTA DE APLICACIONES - BUYERS GUIDE

1.5 eTSI		Gasol./el éc.	FWD	1498	96	131	04.23-	■	
1.5 eTSI (DFYA)		Gasol./el éc.	FWD	1498	110	150	12.19-	■	
2.0 TDI (DSUD)		Diesel	FWD	1968	85	116	08.19-	■	
2.0 TDI (DSRB)		Diesel	FWD	1968	110	150	08.19-	■	
2.0 TDI 4motion		Diesel	4WD	1968	110	150	06.21-	■	
2.0 TDI 4motion		Diesel	4WD	1968	147	200	09.20-	■	
2.0 TDI GTD		Diesel	FWD	1968	147	200	09.20-	■	
<b>GOLF VIII Variant (CG5, DB5) 08.20-</b>					<b>Estate (Compact car-C Segment)</b>				
1.4 TSI (DJKA)		Gasolina	FWD	1395	110	150	01.21-	■	
2.0 TSI		Gasolina	FWD	1984	140	190	06.21-11.24	■	
2.0 TSI 4motion		Gasolina	4WD	1984	140	190	06.21-11.24	■	
1.5 TGI		Gasol./Gas (CNG)	FWD	1498	96	131	09.20-	■	
2.0 TDI 4motion		Diesel	4WD	1968	110	150	06.21-	■	
<b>JETTA VII (BU3, BU4, BU5) 12.17-</b>					<b>Saloon (Compact car-C Segment)</b>				
1.5 TSI		Gasolina	FWD	1498	118	160	10.21-	■	
<b>PASSAT B6 CC (357) 02.08-12.13</b>					<b>Coupe (Large family car-D Segment)</b>				
1.8 TSI (BZB)		Gasolina	FWD	1798	118	160	06.08-01.12	■	
1.8 TSI (CDAA)		Gasolina	FWD	1798	118	160	06.08-01.12	■	
2.0 TFSI (CAWB)		Gasolina	FWD	1984	147	200	06.08-01.12	■	
2.0 TFSI (CBFA)		Gasolina	FWD	1984	147	200	06.08-01.12	■	
2.0 TFSI (CCTA)		Gasolina	FWD	1984	147	200	06.08-01.12	■	
2.0 TFSI (CCZA)		Gasolina	FWD	1984	147	200	06.08-01.12	■	
2.0 TSI (CCZB)		Gasolina	FWD	1984	155	211	11.10-01.12	■	
3.6 FSI 4motion (BLV)		Gasolina	4WD	3580	206	280	06.08-01.12	■	
3.6 FSI 4motion (CNNA)		Gasolina	4WD	3580	206	280	06.08-01.12	■	
3.6 FSI 4motion (BWS)		Gasolina	4WD	3597	220	300	02.08-12.11	■	
1.4 TSI MultiFuel (CKMA)		Gasol./Etanol	FWD	1390	118	160	01.11-01.12	■	
2.0 TDI (CBAA)		Diesel	FWD	1968	100	136	06.08-05.11	■	
2.0 TDI (CFFA)		Diesel	FWD	1968	100	136	06.08-05.11	■	
2.0 TDI (CBAB)		Diesel	FWD	1968	103	140	06.08-01.12	■	
2.0 TDI (CFFB)		Diesel	FWD	1968	103	140	06.08-01.12	■	
2.0 TDI 4motion (CBAB)		Diesel	4WD	1968	103	140	08.09-01.12	■	
2.0 TDI 4motion (CFFB)		Diesel	4WD	1968	103	140	08.09-01.12	■	
2.0 BlueTDI (CBAC)		Diesel	FWD	1968	105	143	05.09-11.10	■	
2.0 TDI (CBBA)		Diesel	FWD	1968	120	163	02.08-05.09	■	
2.0 TDI (CBBB)		Diesel	FWD	1968	125	170	06.08-01.12	■	
2.0 TDI (CFGB)		Diesel	FWD	1968	125	170	06.08-01.12	■	
2.0 TDI (CLLA)		Diesel	FWD	1968	125	170	06.08-01.12	■	
2.0 TDI 4motion (CBBB)		Diesel	4WD	1968	125	170	11.09-01.12	■	
2.0 TDI 4motion (CFGB)		Diesel	4WD	1968	125	170	11.09-01.12	■	
<b>PASSAT B7 (365) 08.10-12.14</b>					<b>Estate Van (Large family car-D Segment)</b>				
2.0 TSI		Gasolina	FWD	1984	155	211	11.10-12.14	■	
3.6 FSI 4motion (BWS)		Gasolina	4WD	3597	220	299	01.11-12.14	■	
<b>PASSAT B7 (362) 08.10-04.16</b>					<b>Saloon (Large family car-D Segment)</b>				
1.4 TSI (CAXA)		Gasolina	FWD	1390	90	122	08.10-12.14	■	
1.4 TSI (CTHD)		Gasolina	FWD	1390	118	160	11.12-12.14	■	
1.8 TSI (CDAA)		Gasolina	FWD	1798	118	160	08.10-12.14	■	

# LISTA DE APLICACIONES - BUYERS GUIDE

2.0 TSI (CCZB)		Gasolina	FWD	1984	155	210	11.10-12.14	■
2.5 (CBTA)		Gasolina	FWD	2480	125	170	01.11-12.20	■
2.5 (CBUA)		Gasolina	FWD	2480	125	170	01.11-12.20	■
2.5 (CCCA)		Gasolina	FWD	2480	125	170	01.11-12.20	■
3.6 FSI 4motion (BWS)		Gasolina	4WD	3597	220	300	01.11-12.14	■
1.4 TSI EcoFuel (CDGA)		Gasol./Gas (CNG)	FWD	1390	110	150	08.10-12.14	■
1.4 TSI MultiFuel (CKMA)		Gasol./Etanol	FWD	1390	118	160	11.10-12.14	■
1.6 TDI (CAYC)		Diesel	FWD	1598	77	105	08.10-12.14	■
2.0 TDI (CFFA)		Diesel	FWD	1968	100	136	08.10-12.14	■
2.0 TDI (CFFB)		Diesel	FWD	1968	103	140	08.10-12.14	■
2.0 TDI 4motion (CFFB)		Diesel	4WD	1968	103	140	08.10-12.14	■
2.0 TDI 4motion (CFGB)		Diesel	4WD	1968	125	170	08.10-01.13	■
2.0 TDI (CFGC)		Diesel	FWD	1968	130	177	12.12-12.14	■
2.0 TDI 4motion (CFGC)		Diesel	4WD	1968	130	177	01.13-12.14	■
<b>PASSAT B7 ALLTRACK (365) 01.12-12.14</b>				<b>Estate (Large family car-D Segment)</b>				
1.8 TSI (CDAB)		Gasolina	FWD	1798	112	152	01.12-12.14	■
1.8 TSI (CDAA)		Gasolina	FWD	1798	118	160	01.12-12.14	■
2.0 TSI 4motion (CCZB)		Gasolina	4WD	1984	155	210	01.12-12.14	■
2.0 TDI (CFFB)		Diesel	FWD	1968	103	140	01.12-12.14	■
2.0 TDI 4motion (CFFB)		Diesel	4WD	1968	103	140	01.12-12.14	■
2.0 TDI 4motion (CFGB)		Diesel	4WD	1968	125	170	01.12-12.14	■
2.0 TDI 4motion (CFGC)		Diesel	4WD	1968	130	177	01.13-12.14	■
<b>PASSAT B7 Variant (365) 08.10-12.15</b>				<b>Estate (Large family car-D Segment)</b>				
1.4 TSI (CAXA)		Gasolina	FWD	1390	90	122	08.10-12.14	■
1.4 TSI (CTHD)		Gasolina	FWD	1390	118	160	11.12-12.14	■
1.8 TSI (CDAA)		Gasolina	FWD	1798	118	160	08.10-12.14	■
2.0 TSI (CCZB)		Gasolina	FWD	1984	155	210	11.10-12.15	■
3.6 FSI 4motion (BWS)		Gasolina	4WD	3597	220	300	01.11-12.14	■
1.4 TSI EcoFuel (CDGA)		Gasol./Gas (CNG)	FWD	1390	110	150	08.10-12.14	■
1.4 TSI MultiFuel (CKMA)		Gasol./Etanol	FWD	1390	118	160	11.10-12.14	■
1.6 TDI (CAYC)		Diesel	FWD	1598	77	105	08.10-12.14	■
2.0 TDI (CFFA)		Diesel	FWD	1968	100	136	08.10-12.14	■
2.0 TDI (CFFB)		Diesel	FWD	1968	103	140	08.10-12.14	■
2.0 TDI 4motion (CFFB)		Diesel	4WD	1968	103	140	08.10-12.14	■
2.0 TDI (CFGB)		Diesel	FWD	1968	125	170	08.10-12.14	■
2.0 TDI (CLLA)		Diesel	FWD	1968	125	170	08.10-12.14	■
2.0 TDI 4motion (CFGB)		Diesel	4WD	1968	125	170	08.10-01.13	■
2.0 TDI (CFGC)		Diesel	FWD	1968	130	177	12.12-12.14	■
2.0 TDI 4motion (CFGC)		Diesel	4WD	1968	130	177	01.13-12.14	■
<b>PASSAT B8 (3G2, CB2) 08.14-</b>				<b>Saloon (Large family car-D Segment)</b>				
1.4 TSI (CZCA)		Gasolina	FWD	1395	92	125	11.14-11.18	■
1.4 TSI (CZDA)		Gasolina	FWD	1395	110	150	11.14-03.24	■
1.4 TSI (CZEA)		Gasolina	FWD	1395	110	150	11.14-03.24	■
1.4 TSI 4motion (CZEA)		Gasolina	4WD	1395	110	150	02.15-11.18	■
1.8 TSI (CJSA)		Gasolina	FWD	1798	132	180	02.15-07.19	■
1.8 TSI (CJSC)		Gasolina	FWD	1798	132	180	02.15-07.19	■
2.0 TSI (CHHB)		Gasolina	FWD	1984	162	220	02.15-03.24	■

# LISTA DE APLICACIONES - BUYERS GUIDE

2.0 TSI (CXDA)		Gasolina	FWD	1984	162	220	02.15-03.24	■
2.0 TSI 4motion (DNUA)		Gasolina	4WD	1984	200	272	09.18-11.20	■
1.6 TDI (DCXA)		Diesel	FWD	1598	88	120	08.14-11.20	■
1.6 TDI (DCZA)		Diesel	FWD	1598	88	120	08.14-11.20	■
2.0 TDI (CRLD)		Diesel	FWD	1968	81	110	01.16-11.18	■
2.0 TDI (DBGB)		Diesel	FWD	1968	81	110	01.16-11.18	■
2.0 TDI (DFGB)		Diesel	FWD	1968	81	110	01.16-11.18	■
2.0 TDI (DTRA)		Diesel	FWD	1968	90	122	07.20-03.24	■
2.0 TDI (CRLB)		Diesel	FWD	1968	110	150	11.14-03.24	■
2.0 TDI (DBGA)		Diesel	FWD	1968	110	150	11.14-03.24	■
2.0 TDI (DFGA)		Diesel	FWD	1968	110	150	11.14-03.24	■
2.0 TDI (DSRA)		Diesel	FWD	1968	110	150	11.14-03.24	■
2.0 TDI (DSRB)		Diesel	FWD	1968	110	150	11.14-03.24	■
2.0 TDI 4motion (CRLB)		Diesel	4WD	1968	110	150	08.14-03.24	■
2.0 TDI 4motion (DFEA)		Diesel	4WD	1968	110	150	08.14-03.24	■
2.0 TDI 4motion (DFGA)		Diesel	4WD	1968	110	150	08.14-03.24	■
2.0 TDI (CUPA)		Diesel	FWD	1968	135	184	07.15-05.16	■
2.0 TDI (DDAA)		Diesel	FWD	1968	140	190	11.14-03.24	■
2.0 TDI (DFCA)		Diesel	FWD	1968	140	190	11.14-03.24	■
2.0 TDI (DFHA)		Diesel	FWD	1968	140	190	11.14-03.24	■
2.0 TDI 4motion (DDAA)		Diesel	4WD	1968	140	190	11.14-03.24	■
2.0 TDI 4motion (DFCA)		Diesel	4WD	1968	140	190	11.14-03.24	■
2.0 TDI 4motion (DFHA)		Diesel	4WD	1968	140	190	11.14-03.24	■
2.0 TDI		Diesel	FWD	1968	147	200	10.20-03.24	■
2.0 TDI 4motion (DTUA)		Diesel	4WD	1968	147	200	08.20-03.24	■
2.0 TDI 4motion (CUAA)		Diesel	4WD	1968	176	240	08.14-11.20	■
<b>PASSAT B8 ALLTRACK Variant (3G5, CB5) 05.15-</b>				<b>Estate (Large family car-D Segment)</b>				
1.4 TSI 4motion (CZEA)		Gasolina	4WD	1395	110	150	05.15-11.18	■
2.0 TSI 4motion (CHHB)		Gasolina	4WD	1984	162	220	07.15-03.24	■
2.0 TSI 4motion (DNUA)		Gasolina	4WD	1984	200	272	08.18-11.20	■
2.0 TSI 4motion (CJXA)		Gasolina	4WD	1984	206	280	11.18-03.24	■
2.0 TDI 4motion (CRLB)		Diesel	4WD	1968	110	150	05.15-11.17	■
2.0 TDI 4motion (DFEA)		Diesel	4WD	1968	110	150	05.15-11.17	■
2.0 TDI 4motion (CUPA)		Diesel	4WD	1968	135	184	07.15-05.16	■
2.0 TDI 4motion (DDAA)		Diesel	4WD	1968	140	190	05.15-03.24	■
2.0 TDI 4motion (DFCA)		Diesel	4WD	1968	140	190	05.15-03.24	■
2.0 TDI 4motion (DFHA)		Diesel	4WD	1968	140	190	05.15-03.24	■
2.0 TDI 4motion		Diesel	4WD	1968	147	200	08.20-03.24	■
2.0 TDI 4motion (CUAA)		Diesel	4WD	1968	176	240	05.15-11.20	■
<b>PASSAT B8 Variant (3G5, CB5) 08.14-</b>				<b>Estate (Large family car-D Segment)</b>				
1.4 TSI (CZCA)		Gasolina	FWD	1395	92	125	11.14-11.18	■
1.4 TSI (CZDA)		Gasolina	FWD	1395	110	150	11.14-03.24	■
1.4 TSI (CZEA)		Gasolina	FWD	1395	110	150	11.14-03.24	■
1.4 TSI 4motion (CZEA)		Gasolina	4WD	1395	110	150	02.15-11.18	■
1.8 TSI (CJSA)		Gasolina	FWD	1798	132	180	02.15-07.19	■
1.8 TSI (CJSC)		Gasolina	FWD	1798	132	180	02.15-07.19	■
2.0 TSI (CHHB)		Gasolina	FWD	1984	162	220	08.14-03.24	■
2.0 TSI (CXDA)		Gasolina	FWD	1984	162	220	08.14-03.24	■
2.0 TSI 4motion (DNUA)		Gasolina	4WD	1984	200	272	09.18-11.20	■
1.6 TDI (DCXA)		Diesel	FWD	1598	88	120	08.14-11.20	■
1.6 TDI (DCZA)		Diesel	FWD	1598	88	120	08.14-11.20	■

# LISTA DE APLICACIONES - BUYERS GUIDE

2.0 TDI		Diesel	FWD	1968	81	110	01.16-07.18	■
2.0 TDI (DTRA)		Diesel	FWD	1968	90	122	07.20-03.24	■
2.0 TDI (CRLB)		Diesel	FWD	1968	110	150	11.14-03.24	■
2.0 TDI (DBGA)		Diesel	FWD	1968	110	150	11.14-03.24	■
2.0 TDI (DFGA)		Diesel	FWD	1968	110	150	11.14-03.24	■
2.0 TDI (DSRA)		Diesel	FWD	1968	110	150	11.14-03.24	■
2.0 TDI (DSRB)		Diesel	FWD	1968	110	150	11.14-03.24	■
2.0 TDI 4motion (CRLB)		Diesel	4WD	1968	110	150	08.14-03.24	■
2.0 TDI 4motion (DFEA)		Diesel	4WD	1968	110	150	08.14-03.24	■
2.0 TDI 4motion (DFGA)		Diesel	4WD	1968	110	150	08.14-03.24	■
2.0 TDI (CUPA)		Diesel	FWD	1968	135	184	07.15-05.16	■
2.0 TDI (DDAA)		Diesel	FWD	1968	140	190	11.14-03.24	■
2.0 TDI (DFCA)		Diesel	FWD	1968	140	190	11.14-03.24	■
2.0 TDI (DFHA)		Diesel	FWD	1968	140	190	11.14-03.24	■
2.0 TDI 4motion (DDAA)		Diesel	4WD	1968	140	190	11.14-03.24	■
2.0 TDI 4motion (DFCA)		Diesel	4WD	1968	140	190	11.14-03.24	■
2.0 TDI 4motion (DFHA)		Diesel	4WD	1968	140	190	11.14-03.24	■
2.0 TDI		Diesel	FWD	1968	147	200	09.20-03.24	■
2.0 TDI 4motion (DTUA)		Diesel	4WD	1968	147	200	08.20-03.24	■
2.0 TDI 4motion (CUAA)		Diesel	4WD	1968	176	240	08.14-11.20	■
<b>PASSAT B9 Variant (CJ5) 10.23-</b>					<b>Estate (Large family car-D Segment)</b>			
2.0 TDI		Diesel	FWD	1968	110	150	04.24-	■
<b>POLO V (6R1, 6C1) 03.09-</b>					<b>Hatchback (Supermini car-B Segment)</b>			
1.8 GTI 230 (DAJA)		Gasolina	FWD	1798	169	230	04.16-10.17	■
<b>TIGUAN II (AD1, AX1) 01.16-</b>					<b>SUV (Compact SUV-J Segment)</b>			
1.4 TSI 4motion (CZDA)		Gasolina	4WD	1395	110	150	05.16-07.18	■
1.4 TSI 4motion (CZEA)		Gasolina	4WD	1395	110	150	05.16-07.18	■
1.5 TSI (DPBE)		Gasolina	FWD	1498	96	131	07.18-04.24	■
1.5 TSI (DADA)		Gasolina	FWD	1498	110	150	11.18-04.24	■
1.5 TSI (DPCA)		Gasolina	FWD	1498	110	150	11.18-04.24	■
2.0 TSI 4motion (DKZA)		Gasolina	4WD	1984	140	190	09.18-11.22	■
2.0 TSI 4motion (DRFA)		Gasolina	4WD	1984	140	190	09.18-11.22	■
2.0 TSI 4motion (CHHB)		Gasolina	4WD	1984	162	220	06.16-04.24	■
2.0 TSI 4motion (DKTA)		Gasolina	4WD	1984	169	230	09.18-07.20	■
2.0 TSI 4motion		Gasolina	4WD	1984	180	245	01.21-04.24	■
2.0 TSi R 4motion		Gasolina	4WD	1984	235	320	11.20-04.24	■
1.4 eHybrid		Gasol./el éc.	FWD	1395	180	245	11.20-04.24	■
1.6 TDI (DGDB)		Diesel	FWD	1598	85	115	05.16-06.20	■
2.0 TDI (CYKC)		Diesel	FWD	1968	81	110	08.16-07.20	■
2.0 TDI (DFGC)		Diesel	FWD	1968	85	115	05.16-07.19	■
2.0 TDI		Diesel	FWD	1968	90	122	07.20-04.24	■
2.0 TDI 4motion		Diesel	4WD	1968	105	143	06.16-07.20	■
2.0 TDI 4motion (CRGB)		Diesel	4WD	1968	130	177	08.16-07.20	■
2.0 TDI 4motion (DTUA)		Diesel	4WD	1968	147	200	07.20-04.24	■
<b>TIGUAN ALLSPACE (BW2, BJ2) 03.17-</b>					<b>SUV (Compact SUV-J Segment)</b>			
1.4 TSI (CZDA)		Gasolina	FWD	1395	110	150	06.17-	■
1.4 TSI (CZEA)		Gasolina	FWD	1395	110	150	06.17-	■
1.4 TSI		Gasolina	FWD	1395	110	150	07.17-	■
1.5 TSI (DADA)		Gasolina	FWD	1498	110	150	09.18-	■

## LISTA DE APLICACIONES - BUYERS GUIDE

1.5 TSI (DPCA)	Gasolina	FWD	1498	110	150	09.18-	■
2.0 TSI 4motion (DGVA)	Gasolina	4WD	1984	132	180	03.17-	■
2.0 TSI (DGUA)	Gasolina	FWD	1984	137	186	04.17-	■
2.0 TSI 4motion (DGUA)	Gasolina	4WD	1984	137	186	04.17-	■
2.0 TSI 4motion (DNLA)	Gasolina	4WD	1984	140	190	09.18-	■
2.0 TSI 4motion (CXDA)	Gasolina	4WD	1984	162	220	07.17-	■
2.0 TSI 4motion (DNJA)	Gasolina	4WD	1984	162	220	07.17-	■
2.0 TSI 4motion	Gasolina	4WD	1984	180	245	09.20-	■
1.4 TSI E100 Flex (CWLA)	Gasol./Etanol	FWD	1395	110	150	07.17-	■
2.0 TDI (DFGA)	Diesel	FWD	1968	110	150	06.17-	■
2.0 TDI 4motion (DBGC)	Diesel	4WD	1968	110	150	06.17-	■
2.0 TDI 4motion (DFGA)	Diesel	4WD	1968	110	150	06.17-	■
2.0 TDI 4motion (DFHA)	Diesel	4WD	1968	140	190	06.17-07.21	■
2.0 TDI 4motion	Diesel	4WD	1968	147	200	06.20-	■
2.0 TDI 4motion (CUAA)	Diesel	4WD	1968	176	240	06.17-09.20	■