

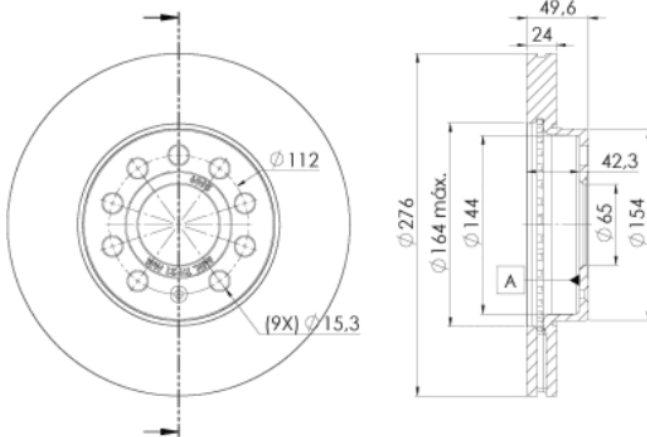
LISTA DE APLICACIONES - BUYERS GUIDE

78BD6095-2



Weight: 13.664

O.E.M.	MAKE
5Q0 615 301 E	VW
5Q0615301A	VW



78BD6095-2



Ø276x24x49.8

MAKE
AUDI
SEAT
SKODA
VW
VW (SVW)



Trac.	CC	Kw	CV
-------	----	----	----



Front / Rear

AUDI

A3 III (8V7, 8VE) 10.13-						Convertible (Compact executive car-D Segment)			
1.4 TFSI (CZCC)		Gasolina	FWD	1395	85	115	02.16-10.20	■	
A3 III (8VS, 8VM) 05.13-						Saloon (Compact executive car-D Segment)			
1.2 TFSI (CYVB)	PR 1ZF	Gasolina	FWD	1197	81	110	05.14-08.16	■	
1.8 TFSI (CNSB)	PR 1ZF	Gasolina	FWD	1798	125	170	11.13-10.20	■	

SEAT

LEON III (5F1) 09.12-						Hatchback Van (Compact car-C Segment)			
1.0 TSI (CHZD)		Gasolina	FWD	999	85	115	05.15-08.20	■	
1.2 TSI (CJZB)		Gasolina	FWD	1197	63	86	01.13-08.18	■	
1.2 TSI (CYVA)		Gasolina	FWD	1197	63	86	01.13-08.18	■	
1.2 TSI (CYVB)		Gasolina	FWD	1197	81	110	04.14-08.18	■	
1.6 TDI (CLHB)		Diesel	FWD	1598	66	90	11.12-10.16	■	
1.6 TDI (CLHA)		Diesel	FWD	1598	77	105	09.12-10.16	■	
1.6 TDI (CRKB)		Diesel	FWD	1598	81	110	09.13-10.16	■	
1.6 TDI (CXXB)		Diesel	FWD	1598	81	110	09.13-10.16	■	
1.6 TDI (DBKA)		Diesel	FWD	1598	81	110	09.13-10.16	■	
1.6 TDI (DDYA)		Diesel	FWD	1598	85	115	11.16-08.20	■	
LEON III (5F1) 09.12-						Hatchback (Compact car-C Segment)			
1.0 TSI (DKLB)		Gasolina	FWD	999	63	86	09.18-08.20	■	
1.2 TSI (CYVB)	PR 1ZF	Gasolina	FWD	1197	81	110	04.14-08.20	■	
1.5 TSI (DACA)		Gasolina	FWD	1495	96	130	09.18-08.20	■	
1.5 TSI (DPBA)		Gasolina	FWD	1495	96	130	09.18-08.20	■	

LISTA DE APLICACIONES - BUYERS GUIDE

1.4 TGI (CPWA)	PR 1ZF	Gasol./Gas (CNG)	FWD	1395	81	110	02.13-08.18	■	
1.5 TGI (DHFA)		Gasol./Gas (CNG)	FWD	1498	96	131	10.18-08.20	■	
1.6 TDI (DDYA)		Diesel	FWD	1598	85	115	11.16-08.20	■	
1.6 TDI (DGTE)		Diesel	FWD	1598	85	115	11.16-08.20	■	
LEON III SC (5F5) 01.13-					Coupe (Compact car-C Segment)				
1.2 TSI (CYVB)	PR 1ZF	Gasolina	FWD	1197	81	110	05.14-08.18	■	
1.6 TDI (DDYA)		Diesel	FWD	1598	85	115	11.16-08.18	■	
2.0 TDI (CRVC)	PR 1ZF	Diesel	FWD	1968	105	143	05.13-08.18	■	
LEON III ST (5F8) 01.13-					Estate Van (Compact car-C Segment)				
1.0 TSI (CHZD)		Gasolina	FWD	999	85	115	05.15-08.20	■	
1.2 TSI (CJZB)		Gasolina	FWD	1197	63	86	01.13-08.18	■	
1.2 TSI (CYVA)		Gasolina	FWD	1197	63	86	01.13-08.18	■	
1.2 TSI (CYVB)		Gasolina	FWD	1197	81	110	05.14-08.18	■	
1.6 TDI (CRKB)		Diesel	FWD	1598	81	110	09.13-08.20	■	
1.6 TDI (CXXB)		Diesel	FWD	1598	81	110	09.13-08.20	■	
1.6 TDI (DBKA)		Diesel	FWD	1598	81	110	09.13-08.20	■	
1.6 TDI (DDYA)		Diesel	FWD	1598	85	115	11.16-08.20	■	
LEON III ST (5F8) 09.12-					Estate (Compact car-C Segment)				
1.0 TSI (DKLB)		Gasolina	FWD	999	63	86	09.18-08.20	■	
1.2 TSI (CYVB)	PR 1ZF	Gasolina	FWD	1197	81	110	05.14-08.20	■	
1.5 TSI (DACA)		Gasolina	FWD	1495	96	130	09.18-08.20	■	
1.5 TSI (DPBA)		Gasolina	FWD	1495	96	130	09.18-08.20	■	
1.5 TGI (DHFA)		Gasol./Gas (CNG)	FWD	1498	96	131	10.18-08.20	■	
1.6 TDI 4Drive (CXXB)	PR 1ZF, PR 1ZH	Diesel	4WD	1598	81	110	11.14-08.20	■	
1.6 TDI (DDYA)		Diesel	FWD	1598	85	115	11.16-08.20	■	
1.6 TDI (DGTE)		Diesel	FWD	1598	85	115	11.16-08.20	■	
1.6 TDI 4Drive (DGTE)		Diesel	4WD	1598	85	115	07.18-08.20	■	
2.0 TDI (CRVC)	PR 1ZF	Diesel	FWD	1968	105	143	10.13-08.18	■	
2.0 TDI 4Drive (CUNA)	PR 1ZF, PR 1ZH	Diesel	4WD	1968	135	184	11.14-08.18	■	
2.0 TDI 4Drive (DJGA)	PR 1ZF, PR 1ZH	Diesel	4WD	1968	135	184	11.14-08.18	■	
SKODA									
OCTAVIA III (5E3, NL3, NR3) 11.12-					Hatchback (Compact car-C Segment)				
1.5 TSI (DADA)		Gasolina	FWD	1498	110	150	02.17-10.20	■	
1.5 TSI (DPCA)		Gasolina	FWD	1498	110	150	02.17-10.20	■	
1.6 (CWVA)	PR 1ZF	Gasolina	FWD	1598	81	110	01.14-10.20	■	
1.8 TSI 4x4 (CJSB)	PR 1ZF	Gasolina	4WD	1798	132	180	05.14-10.20	■	
2.0 TSI (DKZA)		Gasolina	FWD	1984	140	190	02.17-10.20	■	
1.4 TSI G-TEC (CPWA)	PR 1ZF	Gasol./Gas (CNG)	FWD	1395	81	110	11.13-02.17	■	
1.6 TDI 4x4 (CLHA)	PR 1ZF	Diesel	4WD	1598	77	105	05.13-05.15	■	
1.6 TDI (DDYA)		Diesel	FWD	1598	85	115	02.17-10.20	■	
1.6 TDI (DGTE)		Diesel	FWD	1598	85	115	02.17-10.20	■	
1.6 TDI 4x4 (DGTE)		Diesel	4WD	1598	85	115	02.17-10.20	■	
2.0 TDI 4x4 (CKFC)	PR 1ZF	Diesel	4WD	1968	110	150	05.13-10.20	■	
2.0 TDI 4x4 (CRMB)	PR 1ZF	Diesel	4WD	1968	110	150	05.13-10.20	■	
2.0 TDI 4x4 (DCYA)	PR 1ZF	Diesel	4WD	1968	110	150	05.13-10.20	■	

LISTA DE APLICACIONES - BUYERS GUIDE

2.0 TDI 4x4 (DFFA)	PR 1ZF	Diesel	4WD	1968	110	150	05.13-10.20	■
2.0 TDI / TDI RS 4x4 (CUNA)	PR 1ZF	Diesel	4WD	1968	135	184	05.13-10.20	■
2.0 TDI / TDI RS 4x4 (CUPA)	PR 1ZF	Diesel	4WD	1968	135	184	05.13-10.20	■
2.0 TDI / TDI RS 4x4 (DJGA)	PR 1ZF	Diesel	4WD	1968	135	184	05.13-10.20	■
OCTAVIA III Combi (5E5, 5E6) 11.12-				Estate (Compact car-C Segment)				
1.5 TSI (DADA)		Gasolina	FWD	1498	110	150	02.17-10.20	■
1.5 TSI (DPCA)		Gasolina	FWD	1498	110	150	02.17-10.20	■
1.6 SRE (CWVA)	PR 1ZF	Gasolina	FWD	1598	81	110	01.14-02.17	■
1.8 TSI 4x4 (CJSB)	PR 1ZF, Type Octavia Scout	Gasolina	4WD	1798	132	180	11.12-02.17	■
2.0 TSI (DKZA)		Gasolina	FWD	1984	140	190	02.17-10.20	■
2.0 TSI 4x4 (DKZA)		Gasolina	4WD	1984	140	190	02.19-10.20	■
1.4 TSI G-TEC (CPWA)	PR 1ZF	Gasol./Gas (CNG)	FWD	1395	81	110	11.12-02.17	■
1.5 TSI G-TEC (DHFA)		Gasol./Gas (CNG)	FWD	1498	96	130	01.19-10.20	■
1.6 TDI (DDYA)		Diesel	FWD	1598	85	115	02.17-10.20	■
1.6 TDI (DGTA)		Diesel	FWD	1598	85	115	02.17-10.20	■
1.6 TDI (DGTE)		Diesel	FWD	1598	85	115	02.17-10.20	■
1.6 TDI 4x4 (DGTE)		Diesel	4WD	1598	85	115	02.17-10.20	■
2.0 TDI 4x4 (CKFC)	PR 1ZF, Type Octavia Scout	Diesel	4WD	1968	110	150	11.12-10.20	■
2.0 TDI 4x4 (CRMB)	PR 1ZF, Type Octavia Scout	Diesel	4WD	1968	110	150	11.12-10.20	■
2.0 TDI 4x4 (DCYA)	PR 1ZF, Type Octavia Scout	Diesel	4WD	1968	110	150	11.12-10.20	■
2.0 TDI 4x4 (DFFA)	PR 1ZF, Type Octavia Scout	Diesel	4WD	1968	110	150	11.12-10.20	■
2.0 TDI / TDI RS 4x4 (CUNA)	PR 1ZF, Type Octavia Scout	Diesel	4WD	1968	135	184	05.13-10.20	■
2.0 TDI / TDI RS 4x4 (CUPA)	PR 1ZF, Type Octavia Scout	Diesel	4WD	1968	135	184	05.13-10.20	■
2.0 TDI / TDI RS 4x4 (DJGA)	PR 1ZF, Type Octavia Scout	Diesel	4WD	1968	135	184	05.13-10.20	■
VW								
GOLF VII / JETTA VII (5G1, BQ1) 08.12-				Hatchback Van (Compact car-C Segment)				
1.6 TDI (CRKB)	PR 1ZF	Diesel	FWD	1598	81	110	11.13-03.17	■
1.6 TDI (CXXB)	PR 1ZF	Diesel	FWD	1598	81	110	11.13-03.17	■
GOLF VII / JETTA VII (5G1, BQ1, BE1, BE2) 08.12-				Hatchback (Compact car-C Segment)				
1.0 TSI (CHZK)		Gasolina	FWD	999	63	86	01.17-07.19	■
1.0 TSI (DKLB)		Gasolina	FWD	999	63	86	01.17-07.19	■
1.0 TSI (CHZC)		Gasolina	FWD	999	81	110	11.16-08.20	■
1.2 TSI (CYVB)	PR 1ZF	Gasolina	FWD	1197	81	110	04.14-03.17	■
1.4 TSI (CZCA)	PR 1ZF	Gasolina	FWD	1395	92	125	05.14-08.20	■
1.4 TSI (CHPB)	PR 1ZF	Gasolina	FWD	1395	110	150	05.14-03.21	■
1.4 TSI (CZDA)	PR 1ZF	Gasolina	FWD	1395	110	150	05.14-03.21	■
1.4 TSI (CZEA)	PR 1ZF	Gasolina	FWD	1395	110	150	05.14-03.21	■
1.4 TSI (DGXA)	PR 1ZF	Gasolina	FWD	1395	110	150	05.14-03.21	■
1.5 TSI (DACA)		Gasolina	FWD	1495	96	130	05.17-08.20	■
1.5 TGI (DHFA)		Gasol./Gas (CNG)	FWD	1498	96	130	11.18-08.20	■
1.4 TSI MultiFuel (CPVA)	PR 1ZF	Gasol./Etanol	FWD	1395	90	122	11.12-03.17	■
1.4 TSI MultiFuel (CPVB)	PR 1ZF	Gasol./Etanol	FWD	1395	92	125	12.13-07.18	■
1.4 GTE Hybrid (CUKB)	PR 1ZF	Gasol./eléc.	FWD	1395	150	204	05.14-08.20	■
1.6 TDI 4motion (CRKB)	PR 1ZF	Diesel	4WD	1598	81	110	01.13-03.17	■
1.6 TDI 4motion (CXXB)	PR 1ZF	Diesel	4WD	1598	81	110	01.13-03.17	■

LISTA DE APLICACIONES - BUYERS GUIDE

1.6 TDI (DDYA)		Diesel	FWD	1598	85	115	11.16-08.20	■	
1.6 TDI (DGTE)		Diesel	FWD	1598	85	115	11.16-08.20	■	
2.0 TDI (CRLD)	PR 1ZF	Diesel	FWD	1968	81	110	11.12-08.20	■	
2.0 TDI (CRVA)	PR 1ZF	Diesel	FWD	1968	81	110	11.12-08.20	■	
2.0 TDI (CYKB)	PR 1ZF	Diesel	FWD	1968	81	110	11.12-08.20	■	
2.0 TDI (DCYB)	PR 1ZF	Diesel	FWD	1968	81	110	11.12-08.20	■	
2.0 TDI (DEJB)	PR 1ZF	Diesel	FWD	1968	81	110	11.12-08.20	■	
2.0 TDI (DFGB)	PR 1ZF	Diesel	FWD	1968	81	110	11.12-08.20	■	
2.0 TDI (CRBB)	PR 1ZF	Diesel	FWD	1968	105	143	08.12-08.20	■	
2.0 TDI (CRVC)	PR 1ZF	Diesel	FWD	1968	105	143	08.12-08.20	■	
GOLF VII ALLTRACK Variant (BA5, BV5) 12.14-							Estate (Compact car-C Segment)		
1.8 TSI 4motion (CJSB)	PR 1ZF	Gasolina	4WD	1798	132	180	12.14-08.20	■	
1.6 TDI 4motion (CRKB)	PR 1ZF, Type Golf Alltrack	Diesel	4WD	1598	81	110	12.14-03.17	■	
1.6 TDI 4motion (CXXB)	PR 1ZF, Type Golf Alltrack	Diesel	4WD	1598	81	110	12.14-03.17	■	
2.0 TDI 4motion (CRBC)	PR 1ZF, Type Golf Alltrack	Diesel	4WD	1968	110	150	12.14-08.20	■	
2.0 TDI 4motion (CRLB)	PR 1ZF, Type Golf Alltrack	Diesel	4WD	1968	110	150	12.14-08.20	■	
2.0 TDI 4motion (DCYA)	PR 1ZF, Type Golf Alltrack	Diesel	4WD	1968	110	150	12.14-08.20	■	
2.0 TDI 4motion (CUNA)	PR 1ZF	Diesel	4WD	1968	135	184	12.14-08.20	■	
2.0 TDI 4motion (DGCA)	PR 1ZF	Diesel	4WD	1968	135	184	12.14-08.20	■	
2.0 TDI 4motion (DJGA)	PR 1ZF	Diesel	4WD	1968	135	184	12.14-08.20	■	
GOLF VII SPORTSVAN (AM1, AN1) 02.14-							Hatchback (Compact car-C Segment)		
1.0 TSI (CHZK)		Gasolina	FWD	999	63	86	05.17-07.19	■	
1.0 TSI (DKLB)		Gasolina	FWD	999	63	86	05.17-07.19	■	
1.0 TSI (CHZC)		Gasolina	FWD	999	81	110	05.17-07.18	■	
1.0 TSI (CHZD)		Gasolina	FWD	999	85	115	05.15-08.20	■	
1.0 TSI (DKRF)		Gasolina	FWD	999	85	115	05.15-08.20	■	
1.2 TSI (CYVA)	PR 1ZF	Gasolina	FWD	1197	63	86	05.14-11.17	■	
1.2 TSI (CYVB)	PR 1ZF	Gasolina	FWD	1197	81	110	04.14-11.17	■	
1.4 TSI (CZCA)	PR 1ZF	Gasolina	FWD	1395	92	125	04.14-08.20	■	
1.4 TSI (CZDA)	PR 1ZF	Gasolina	FWD	1395	110	150	02.14-07.18	■	
1.6 (CWVA)	PR 1ZF	Gasolina	FWD	1598	81	110	05.14-11.16	■	
1.4 TSI MultiFuel (CPVB)	PR 1ZF	Gasol./Etanol	FWD	1395	92	125	04.14-11.17	■	
1.6 TDI (CRKA)	PR 1ZF	Diesel	FWD	1598	66	90	02.14-07.18	■	
1.6 TDI (CXXA)	PR 1ZF	Diesel	FWD	1598	66	90	02.14-07.18	■	
1.6 TDI (DDYB)	PR 1ZF	Diesel	FWD	1598	66	90	02.14-07.18	■	
1.6 TDI (CRKB)	PR 1ZF	Diesel	FWD	1598	81	110	02.14-11.16	■	
1.6 TDI (CXXB)	PR 1ZF	Diesel	FWD	1598	81	110	02.14-11.16	■	
1.6 TDI (DBKA)	PR 1ZF	Diesel	FWD	1598	81	110	02.14-11.16	■	
1.6 TDI (DDYA)		Diesel	FWD	1598	85	115	11.16-08.20	■	
1.6 TDI (DGTE)		Diesel	FWD	1598	85	115	11.16-08.20	■	
2.0 TDI (CRLD)	PR 1ZF	Diesel	FWD	1968	81	110	05.14-11.17	■	
2.0 TDI (CRVA)	PR 1ZF	Diesel	FWD	1968	81	110	05.14-11.17	■	
2.0 TDI (DCYB)	PR 1ZF	Diesel	FWD	1968	81	110	05.14-11.17	■	
2.0 TDI (CRLB)	PR 1ZF	Diesel	FWD	1968	110	150	02.14-08.20	■	
2.0 TDI (DCYA)	PR 1ZF	Diesel	FWD	1968	110	150	02.14-08.20	■	
2.0 TDI (DFGA)	PR 1ZF	Diesel	FWD	1968	110	150	02.14-08.20	■	
GOLF VII VAN Variant / JETTA VII (BA5) 04.13-03.17							Estate Van (Compact car-C Segment)		
1.6 TDI (CRKB)	PR 1ZF	Diesel	FWD	1598	81	110	05.13-03.17	■	

LISTA DE APLICACIONES - BUYERS GUIDE

GOLF VII Variant / JETTA VII (BA5, BV5) 04.13-					Estate (Compact car-C Segment)			
1.0 TSI (CHZK)		Gasolina	FWD	999	63	86	01.17-07.19	■
1.0 TSI (DKLB)		Gasolina	FWD	999	63	86	01.17-07.19	■
1.0 TSI (CHZC)		Gasolina	FWD	999	81	110	11.16-08.20	■
1.5 TSI (DACA)		Gasolina	FWD	1495	96	130	07.17-08.20	■
1.5 TSI (DPBA)		Gasolina	FWD	1495	96	130	07.17-08.20	■
1.6 (CWVA)	PR 1ZF	Gasolina	FWD	1598	81	110	05.14-07.17	■
1.4 TGI CNG (CPWA)	PR 1ZF	Gasol./Gas (CNG)	FWD	1395	81	110	09.13-07.18	■
1.5 TGI (DHFA)		Gasol./Gas (CNG)	FWD	1498	96	131	12.18-08.20	■
1.6 TDI 4motion (CRKB)	PR 1ZF, Type Golf Estate/Variant	Diesel	4WD	1598	81	110	05.13-03.17	■
1.6 TDI 4motion (CXXB)	PR 1ZF, Type Golf Estate/Variant	Diesel	4WD	1598	81	110	05.13-03.17	■
1.6 TDI (DDYA)		Diesel	FWD	1598	85	115	11.16-08.20	■
1.6 TDI (DGTE)		Diesel	FWD	1598	85	115	11.16-08.20	■
2.0 TDI (CRLD)	PR 1ZF	Diesel	FWD	1968	81	110	05.13-08.20	■
2.0 TDI (CRVA)	PR 1ZF	Diesel	FWD	1968	81	110	05.13-08.20	■
2.0 TDI (CYKB)	PR 1ZF	Diesel	FWD	1968	81	110	05.13-08.20	■
2.0 TDI (DCYB)	PR 1ZF	Diesel	FWD	1968	81	110	05.13-08.20	■
2.0 TDI (DEJB)	PR 1ZF	Diesel	FWD	1968	81	110	05.13-08.20	■
2.0 TDI (DFGB)	PR 1ZF	Diesel	FWD	1968	81	110	05.13-08.20	■
2.0 TDI 4motion (CRBC)	PR 1ZF, Type Golf Alltrack	Diesel	4WD	1968	110	150	04.13-08.20	■
2.0 TDI 4motion (CRLB)	PR 1ZF, Type Golf Alltrack	Diesel	4WD	1968	110	150	04.13-08.20	■
2.0 TDI 4motion (DCYA)	PR 1ZF, Type Golf Alltrack	Diesel	4WD	1968	110	150	04.13-08.20	■
2.0 GTD (CUNA)	PR 1ZF	Diesel	FWD	1968	135	184	01.15-07.19	■
2.0 GTD (DGCA)	PR 1ZF	Diesel	FWD	1968	135	184	01.15-07.19	■
2.0 GTD (DJGA)	PR 1ZF	Diesel	FWD	1968	135	184	01.15-07.19	■
VW (SVW)								
LAVIDA III (0C1, 0E1, 0C2) 05.18-					Saloon (Compact car-C Segment)			
200TSi		Gasolina	FWD	1197	85	116	06.22-	■
230 TSI		Gasolina	FWD	1395	95	130	05.18-	■
1.5		Gasolina	FWD	1498	81	110	04.23-	■
1.5 (DMBA)		Gasolina	FWD	1498	83	113	07.19-	■
1.5 (DLWA)		Gasolina	FWD	1498	85	116	05.18-	■