

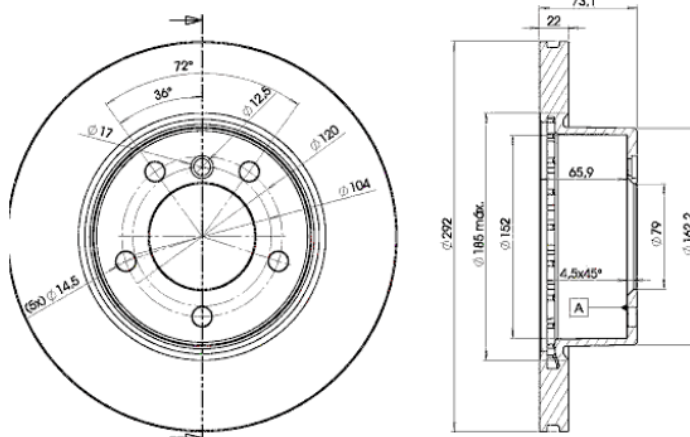
LISTA DE APLICACIONES - BUYERS GUIDE

78BD6464-1



Weight: 6.930

O.E.M.	MAKE
34 11 6 764 641	BMW
34 11 6 854 997	BMW



78BD6464-1

E1 90R-02C0452/0080



Ø292x22x73

MAKE
BMW
BMW (BRILLIANCE)



Trac.	CC	Kw	CV	Front / Rear
-------	----	----	----	--------------

BMW

1 Serie (E88) 12.07-12.13							Convertible (Compact car-C Segment)		
118 i (N46 B20 B)	not M technique	Gasolina	RWD	1995	100	136	09.08-12.13	■	
118 i (N43 B20 A)	not sport chassis	Gasolina	RWD	1995	105	143	03.08-10.13	■	
118 d (N47 D20 A)	not M technique	Diesel	RWD	1995	100	136	09.08-12.13	■	
118 d (N47 D20 C)	not M technique	Diesel	RWD	1995	100	136	09.08-12.13	■	
118 d (N47 D20 A)	not M technique	Diesel	RWD	1995	105	143	09.08-12.13	■	
118 d (N47 D20 C)	not M technique	Diesel	RWD	1995	105	143	09.08-12.13	■	
1 Serie (E82) 10.06-10.13							Coupe (Compact car-C Segment)		
118 d (N47 D20 C)	not M technique	Diesel	RWD	1995	100	136	09.09-10.13	■	
118 d (N47 D20 C)	not M technique	Diesel	RWD	1995	105	143	09.09-10.13	■	
120 d (N47 D20 A)		Diesel	RWD	1995	130	177	09.07-10.13	■	
120 d (N47 D20 C)		Diesel	RWD	1995	130	177	09.07-10.13	■	
120 d (N47 D20 A)		Diesel	RWD	1995	145	197	09.07-10.13	■	
120 d (N47 D20 C)		Diesel	RWD	1995	145	197	09.07-10.13	■	
1 Serie (E87) 02.03-12.13							Hatchback (Compact car-C Segment)		
118 i (N46 B20 B)		Gasolina	RWD	1995	95	129	09.06-02.08	■	
118 i (N46 B20 B)		Gasolina	RWD	1995	100	136	10.06-06.11	■	
118 i (N46 B20 B)		Gasolina	RWD	1995	100	136	09.06-12.11	■	
118 i (N43 B20 A)		Gasolina	RWD	1995	105	143	09.06-06.11	■	
118 i (N43 B20 A)		Gasolina	RWD	1995	105	143	09.06-12.11	■	
120 i (N46 B20 B)	not M technique	Gasolina	RWD	1995	110	150	06.04-02.07	■	
120 i (N46 B20 BD)	not M technique	Gasolina	RWD	1995	110	150	06.04-02.07	■	
120 i (N46 B20 C)	not M technique	Gasolina	RWD	1995	110	150	06.04-02.07	■	

LISTA DE APLICACIONES - BUYERS GUIDE

120 i (N46 B20 CC)	not M technique	Gasolina	RWD	1995	110	150	06.04-02.07	■	
120 i		Gasolina	FWD	1995	110	150	09.06-09.12	■	
120 i (N46 B20 B)		Gasolina	RWD	1995	115	156	03.07-12.11	■	
120 i (N46 B20 C)		Gasolina	RWD	1995	115	156	03.07-12.11	■	
120 i (N43 B20 A)		Gasolina	RWD	1995	125	170	03.07-09.12	■	
118 d (N47 D20 A)		Diesel	RWD	1995	100	136	03.07-06.11	■	
118 d (N47 D20 C)		Diesel	RWD	1995	100	136	03.07-06.11	■	
118 d (N47 D20 A)		Diesel	RWD	1995	105	143	03.07-06.11	■	
118 d (N47 D20 C)		Diesel	RWD	1995	105	143	03.07-06.11	■	
118 d (N47 D20 A)		Diesel	RWD	1995	105	143	09.06-12.11	■	
118 d (N47 D20 C)		Diesel	RWD	1995	105	143	09.06-12.11	■	
120 d (M47 D20 (204D4))		Diesel	RWD	1995	110	150	06.04-02.07	■	
120 d (M47 D20 (204D4))	-03/07, not M technique	Diesel	RWD	1995	120	163	06.04-06.11	■	
120 d (N47 D20 A)	-03/07, not M technique	Diesel	RWD	1995	120	163	06.04-06.11	■	
120 d (N47 D20 A)		Diesel	RWD	1995	120	163	03.07-12.11	■	
120 d (N47 D20 C)		Diesel	RWD	1995	120	163	03.07-12.11	■	
120 d (N47 D20 A)	not M technique	Diesel	RWD	1995	130	177	03.07-06.11	■	
120 d (N47 D20 C)	not M technique	Diesel	RWD	1995	130	177	03.07-06.11	■	
120 d (N47 D20 A)		Diesel	RWD	1995	130	177	03.07-12.11	■	
120 d (N47 D20 C)		Diesel	RWD	1995	130	177	03.07-12.11	■	
3 Serie V (E90) 02.04-12.13							Saloon (Compact executive car-D Segment)		
316 i (N45 B16 A)		Gasolina	RWD	1596	85	115	09.05-10.11	■	
316 i (N45 B16 AC)		Gasolina	RWD	1596	85	115	09.05-10.11	■	
318i (N46 B20 B)		Gasolina	RWD	1995	95	129	09.05-08.07	■	
318i (N46 B20 B)		Gasolina	RWD	1995	100	136	09.07-10.11	■	
318i (N46 B20 C)		Gasolina	RWD	1995	100	136	09.07-10.11	■	
318i (N46 B20 CC)		Gasolina	RWD	1995	100	136	09.07-10.11	■	
318i (N46 B20 CD)		Gasolina	RWD	1995	100	136	09.07-10.11	■	
318i (N46 B20 E)		Gasolina	RWD	1995	100	136	09.07-10.11	■	
318i (N43 B20 A)		Gasolina	RWD	1995	105	143	09.07-10.11	■	
320i (N46 B20 B)		Gasolina	RWD	1995	110	150	12.04-08.07	■	
320i (N46 B20 BD)		Gasolina	RWD	1995	110	150	12.04-08.07	■	
320i (N46 B20 C)		Gasolina	RWD	1995	110	150	12.04-08.07	■	
320i (N46 B20 CB)		Gasolina	RWD	1995	110	150	12.04-08.07	■	
320i (N46 B20 B)		Gasolina	RWD	1995	115	156	02.07-12.11	■	
320i (N46 B20 C)		Gasolina	RWD	1995	115	156	02.07-12.11	■	
320i (N46 B20 CC)		Gasolina	RWD	1995	115	156	02.07-12.11	■	
320i (N46 B20 CD)		Gasolina	RWD	1995	115	156	02.07-12.11	■	
320i (N46 B20 E)		Gasolina	RWD	1995	115	156	02.07-12.11	■	
320i (N43 B20 A)		Gasolina	RWD	1995	120	163	03.07-12.11	■	
320i (N43 B20 A)		Gasolina	RWD	1995	125	170	09.07-10.11	■	
320 si (N45 B20 A)		Gasolina	RWD	1997	127	173	09.05-08.06	■	
318 d (M47 D20 (204D4))		Diesel	RWD	1995	90	122	03.05-08.07	■	
318 d (N47 D20 A)		Diesel	RWD	1995	105	143	02.07-10.11	■	
318 d (N47 D20 C)		Diesel	RWD	1995	105	143	02.07-10.11	■	
3 Serie V Touring (E91) 12.04-12.12							Estate (Compact executive car-D Segment)		
318i (N46 B20 B)		Gasolina	RWD	1995	95	129	01.06-08.07	■	
318i (N46 B20 B)		Gasolina	RWD	1995	100	136	09.07-03.12	■	
318i (N43 B20 A)		Gasolina	RWD	1995	105	143	05.07-05.12	■	
320i (N46 B20 B)		Gasolina	RWD	1995	110	150	09.05-06.12	■	

LISTA DE APLICACIONES - BUYERS GUIDE

320i (N46 B20 C)	Gasolina	RWD	1995	110	150	09.05-06.12	■
318 d (M47 D20 (204D4))	Diesel	RWD	1995	90	122	09.05-08.07	■
318 d (N47 D20 A)	Diesel	RWD	1995	105	143	09.07-06.12	■
318 d (N47 D20 C)	Diesel	RWD	1995	105	143	09.07-06.12	■
BMW (BRILLIANCE)							
3 SERIES V (E90) 10.04-09.12				Saloon (Compact executive car-D Segment)			
320i	Gasolina	FWD	1995	110	150	01.05-12.07	■