

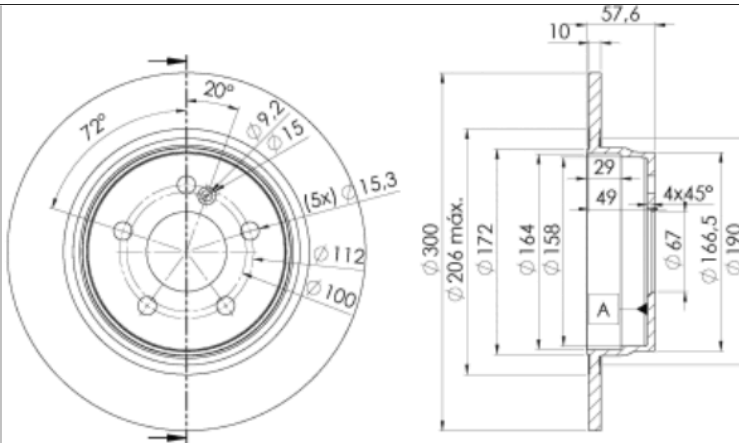
LISTA DE APLICACIONES - BUYERS GUIDE

78BD6474-2



Weight: 10.472

O.E.M.	MAKE
204 423 06 12	MERCEDES-BENZ
204 423 09 12	MERCEDES-BENZ
204 423 15 12	MERCEDES-BENZ



78BD6474-2

E1 90R-02C0453/0099



Ø300x10x57.7

MAKE
MERCEDES-BENZ



Trac.	CC	Kw	CV
-------	----	----	----



Front / Rear

MERCEDES-BENZ

C-Class III (C204) 01.11-							Coupe (Compact executive car-D Segment)			
C 180 (204.331) (M 274.910)	AMG Sports Package, sports package	Gasolina	RWD	1595	115	156	01.13-	■		
C 200 CGI (204.348) (M 271.860)	USA	Gasolina	RWD	1796	135	184	06.11-	■		
C 250 (204.347) (M 271.860)		Gasolina	RWD	1796	150	204	06.11-	■		
C 220 CDI (204.302) (OM 651.911)		Diesel	RWD	2143	120	163	06.11-	■		
C 220 CDI (204.302) (OM 651.911)		Diesel	RWD	2143	125	170	06.11-	■		
C-Class III (W204) 01.07-01.15							Saloon (Compact executive car-D Segment)			
C 180 CGI (204.031) (M 274.910)	AMG Sports Package, sports package, China	Gasolina	RWD	1595	115	156	01.08-01.14	■		
C 180 Kompressor (204.046) (M 271.910)	sports package, AMG Sports Package	Gasolina	RWD	1597	115	156	01.08-01.14	■		
C 180 CGI (204.049) (M 271.820)	sports package, AMG Sports Package, China	Gasolina	RWD	1796	115	156	01.07-01.14	■		
C 180 Kompressor (204.046) (M 271.952)	AMG Sports Package, sports package	Gasolina	RWD	1796	115	156	01.07-01.09	■		
C 200 CGI (204.048) (M 271.820)	sports package	Gasolina	RWD	1796	135	184	01.07-01.14	■		
C 200 CGI (204.048) (M 271.860)	sports package	Gasolina	RWD	1796	135	184	01.07-01.14	■		
C 200 Kompressor (204.041) (M 271.950)		Gasolina	RWD	1796	135	184	01.07-01.14	■		
C 200 (204.048) (M 271.820)		Gasolina	RWD	1796	137	186	05.11-01.14	■		
C 250 CGI (204.047) (M 271.860)		Gasolina	RWD	1796	150	204	07.09-01.14	■		
C 230 (204.052) (M 272.921)		Gasolina	RWD	2496	150	204	01.07-01.14	■		
C 230 4-matic (204.085) (M 272.911)		Gasolina	4WD	2496	150	204	07.07-01.14	■		
C 280 (204.054) (M 272.947)		Gasolina	RWD	2996	170	231	01.07-01.14	■		
C 280 4-matic (204.081) (M 272.948)		Gasolina	4WD	2996	170	231	07.07-01.14	■		
C 300 (204.054) (M 272.947)		Gasolina	RWD	2996	170	231	07.09-01.14	■		

LISTA DE APLICACIONES - BUYERS GUIDE

C 300 4-matic (204.081) (M 272.948)		Gasolina	4WD	2996	170	231	07.07-01.14	■	
C 180 CDI (204.000) (OM 651.913)	AMG Sports Package, sports package	Diesel	RWD	2143	88	120	04.10-03.14	■	
C 200 CDI (204.001) (OM 651.913)	sports package, AMG Sports Package	Diesel	RWD	2143	100	136	11.09-03.14	■	
C 220 CDI (204.002) (OM 651.911)		Diesel	RWD	2143	120	163	10.08-01.14	■	
C 220 CDI (204.002) (OM 651.911)		Diesel	RWD	2143	125	170	12.08-01.14	■	
C 220 CDI 4-matic (204.084) (OM 651.912)		Diesel	4WD	2143	125	170	02.13-01.14	■	
C 250 CDI 4-matic (204.082) (OM 651.912)	sports package, AMG Sports Package	Diesel	4WD	2143	150	204	01.11-01.14	■	
C 200 CDI (204.007, 204.006) (OM 646.811)	sports package, AMG Sports Package	Diesel	RWD	2148	100	136	01.07-12.09	■	
C 200 CDI (204.007, 204.006) (OM 646.812)	sports package, AMG Sports Package	Diesel	RWD	2148	100	136	01.07-12.09	■	
C 220 CDI (204.008) (OM 646.811)		Diesel	RWD	2148	120	163	01.07-11.08	■	
C 220 CDI (204.008) (OM 646.811)		Diesel	RWD	2148	125	170	01.07-11.08	■	
C-Class III T-Model (S204) 08.07-08.14							Estate (Compact executive car-D Segment)		
C 180 (204.231) (M 274.910)	AMG Sports Package, sports package China	Gasolina	RWD	1595	115	156	02.12-08.14	■	
C 180 Kompressor (204.246) (M 271.910)	sports package, AMG Sports Package	Gasolina	RWD	1597	115	156	01.08-08.14	■	
C 180 CGI (204.249) (M 271.820)	sports package	Gasolina	RWD	1796	115	156	11.09-08.14	■	
C 180 Kompressor (204.246) (M 271.952)	sports package, AMG Sports Package	Gasolina	RWD	1796	115	156	08.07-08.14	■	
C 200 CGI (204.248) (M 271.820)		Gasolina	RWD	1796	135	184	08.07-08.14	■	
C 200 CGI (204.248) (M 271.860)		Gasolina	RWD	1796	135	184	08.07-08.14	■	
C 200 Kompressor (204.241) (M 271.950)	sports package	Gasolina	RWD	1796	135	184	08.07-08.14	■	
C 250 CGI (204.247) (M 271.860)		Gasolina	RWD	1796	150	204	07.09-08.14	■	
C 230 (204.252) (M 272.921)		Gasolina	RWD	2496	150	204	08.07-08.14	■	
C 250 (204.252) (M 272.921)		Gasolina	RWD	2496	150	204	02.08-12.12	■	
C 280 (204.254) (M 272.947)		Gasolina	RWD	2996	170	231	08.07-08.14	■	
C 300 (204.254) (M 272.947)		Gasolina	RWD	2996	170	231	08.07-08.14	■	
C 180 CDI (204.200) (OM 651.913)	sports package, AMG Sports Package	Diesel	RWD	2143	88	120	04.10-08.14	■	
C 200 CDI (204.201) (OM 651.913)	sports package, AMG Sports Package	Diesel	RWD	2143	100	136	08.10-08.14	■	
C 220 CDI (204.202) (OM 651.911)		Diesel	RWD	2143	120	163	12.08-08.14	■	
C 220 CDI (204.202) (OM 651.911)		Diesel	RWD	2143	125	170	12.08-08.14	■	
C 220 CDI 4-matic (204.284) (OM 651.912)		Diesel	4WD	2143	125	170	02.13-08.14	■	
C 250 CDI (204.203) (OM 651.911)		Diesel	RWD	2143	150	204	01.09-08.14	■	
C 250 CDI 4-matic (204.282) (OM 651.912)	sports package	Diesel	4WD	2143	150	204	04.10-08.14	■	
C 200 CDI (204.207) (OM 646.811)	sports package, AMG Sports Package	Diesel	RWD	2148	100	136	08.07-12.09	■	
C 220 CDI (204.208) (OM 646.811)		Diesel	RWD	2148	120	163	08.07-11.08	■	
C 220 CDI (204.208) (OM 646.811)		Diesel	RWD	2148	125	170	08.07-11.08	■	
E-Class IV (A207) 01.10-							Convertible (Executive car-E Segment)		
E 200 CGI (207.448) (M 271.820)		Gasolina	RWD	1796	135	184	01.10-12.16	■	
E 200 CGI (207.448) (M 271.860)		Gasolina	RWD	1796	135	184	01.10-12.16	■	
E 250 CGI (207.447) (M 271.860)		Gasolina	RWD	1796	150	204	01.10-12.16	■	
E 200 (207.434) (M 274.920)		Gasolina	RWD	1991	135	184	03.13-12.16	■	
E 250 (207.436) (M 274.920)		Gasolina	RWD	1991	155	211	06.13-12.16	■	
E 220 CDI (207.402) (OM 651.911)		Diesel	RWD	2143	120	163	02.10-12.16	■	
E 220 CDI / BlueTEC / d (207.402, 207.401) (OM 651.911)		Diesel	RWD	2143	125	170	01.10-12.16	■	
E 220 BlueTEC (207.401) (OM 651.911)		Diesel	RWD	2143	130	177	05.14-12.16	■	
E 250 CDI / BlueTEC / d (207.403, 207.404) (OM 651.911)		Diesel	RWD	2143	150	204	01.10-12.16	■	

LISTA DE APLICACIONES - BUYERS GUIDE

E 350 CDI (207.422) (OM 642.836)		Diesel	RWD	2987	170	231	01.10-12.11	■	
E-Class IV (C207) 01.09-					Coupe (Executive car-E Segment)				
E 200 CGI (207.348) (M 271.820)		Gasolina	RWD	1796	135	184	01.10-12.16	■	
E 200 CGI (207.348) (M 271.860)		Gasolina	RWD	1796	135	184	01.10-12.16	■	
E 250 CGI (207.347) (M 271.860)		Gasolina	RWD	1796	150	204	01.09-12.16	■	
E 200 (207.334) (M 274.920)		Gasolina	RWD	1991	135	184	06.13-12.16	■	
E 250 (207.336) (M 274.920)		Gasolina	RWD	1991	155	211	06.13-12.16	■	
E 220 CDI (207.302) (OM 651.911)		Diesel	RWD	2143	120	163	02.10-12.14	■	
E 220 CDI / d (207.302, 207.301) (OM 651.911)	Australia	Diesel	RWD	2143	125	170	01.10-12.16	■	
E 220 BlueTEC (207.301) (OM 651.911)		Diesel	RWD	2143	130	177	05.14-12.16	■	
E 250 CDI / BlueTEC / d (207.403, 207.404) (OM 651.911)		Diesel	RWD	2143	150	204	01.09-12.16	■	
E-Class IV (W212) 01.09-					Saloon (Executive car-E Segment)				
E 200 NGT (212.041) (M 271.958)		Gasol./Gas (CNG)	RWD	1796	120	163	03.11-12.15	■	