

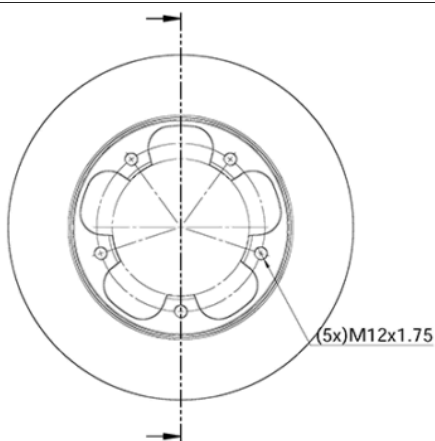
LISTA DE APLICACIONES - BUYERS GUIDE

78BD6546-2



Weight: 14.440

O.E.M.	MAKE
CK4Z-2C026	FORD
CK4Z-ZC026-C	FORD



78BD6546-2



Ø308x18x25.7

MAKE
FORD
FORD AUSTRALIA



Trac.	CC	Kw	CV
-------	----	----	----



Front / Rear

FORD

TRANSIT V (FD_, FB_, FS_, FZ_, FC_) 04.06-						Bus (Minibus-M2-Segment)			
2.2 TDCi RWD (CVRC)		Diesel	RWD	2198	114	155	10.11-08.14		■
TRANSIT VI V363 (FAD, FBD) 08.13-						Bus (Minibus-M2-Segment)			
2.0 EcoBlue (BJFA)	103	Diesel	FWD	1995	77	105	03.16-		■
2.0 EcoBlue (BJFB)	103	Diesel	FWD	1995	77	105	03.16-		■
2.0 EcoBlue (YLF6)	103	Diesel	FWD	1995	77	105	03.16-		■
2.0 EcoBlue (YLFA)	103	Diesel	FWD	1995	77	105	03.16-		■
2.0 EcoBlue (YLFB)	103	Diesel	FWD	1995	77	105	03.16-		■
2.0 EcoBlue (YLFS)	103	Diesel	FWD	1995	77	105	03.16-		■
2.0 EcoBlue (BKFA)	103	Diesel	FWD	1995	96	130	03.16-		■
2.0 EcoBlue (BKFB)	103	Diesel	FWD	1995	96	130	03.16-		■
2.0 EcoBlue (YMF6)	103	Diesel	FWD	1995	96	130	03.16-		■
2.0 EcoBlue (YMFA)	103	Diesel	FWD	1995	96	130	03.16-		■
2.0 EcoBlue (YMF6)	103	Diesel	FWD	1995	96	130	03.16-		■
2.0 EcoBlue (YMF6)	103	Diesel	FWD	1995	96	130	03.16-		■
2.0 EcoBlue (YMF6)	103	Diesel	FWD	1995	96	130	03.16-		■
2.0 EcoBlue RWD (YMHA)		Diesel	RWD	1995	96	130	05.19-		■
2.0 EcoBlue RWD		Diesel	RWD	1995	121	165	05.22-		■
2.0 EcoBlue (BLFA)	103	Diesel	FWD	1995	125	170	03.16-06.24		■
2.0 EcoBlue (BLFB)	103	Diesel	FWD	1995	125	170	03.16-06.24		■
2.0 EcoBlue (YNF6)	103	Diesel	FWD	1995	125	170	03.16-06.24		■
2.0 EcoBlue (YNFA)	103	Diesel	FWD	1995	125	170	03.16-06.24		■
2.0 EcoBlue (YNFB)	103	Diesel	FWD	1995	125	170	03.16-06.24		■
2.0 EcoBlue (YNFS)	103	Diesel	FWD	1995	125	170	03.16-06.24		■
2.2 TDCi (DRF5)	103	Diesel	FWD	2198	74	100	08.13-12.18		■

LISTA DE APLICACIONES - BUYERS GUIDE

2.2 TDCi (DRFF)	103	Diesel	FWD	2198	74	100	08.13-12.18	■	
2.2 TDCi (DRFG)	103	Diesel	FWD	2198	74	100	08.13-12.18	■	
2.2 TDCi RWD (DRR5)	103	Diesel	RWD	2198	74	100	08.13-12.18	■	
2.2 TDCi (CY14)	103	Diesel	FWD	2198	92	125	08.13-12.18	■	
2.2 TDCi (CYF5)	103	Diesel	FWD	2198	92	125	08.13-12.18	■	
2.2 TDCi (CYFG)	103	Diesel	FWD	2198	92	125	08.13-12.18	■	
2.2 TDCi (USF6)	103	Diesel	FWD	2198	92	125	08.13-12.18	■	
2.2 TDCi 4x4 (CY24)	103	Diesel	4WD	2198	92	125	08.13-12.18	■	
2.2 TDCi 4x4 (CYR5)	103	Diesel	4WD	2198	92	125	08.13-12.18	■	
2.2 TDCi RWD (CYR5)	103	Diesel	RWD	2198	92	125	08.13-12.18	■	
2.2 TDCi RWD (USR6)	103	Diesel	RWD	2198	92	125	08.13-12.18	■	
2.2 TDCi RWD (UHR5)		Diesel	RWD	2198	99	135	08.13-	■	
2.2 TDCi A las 4 ruedas		Diesel	4WD	2198	114	155	08.15-12.18	■	
2.2 TDCi RWD (CV24)	103	Diesel	RWD	2198	114	155	08.13-12.18	■	
2.2 TDCi RWD (CVR5)	103	Diesel	RWD	2198	114	155	08.13-12.18	■	
2.2 TDCi RWD (UYR6)	103	Diesel	RWD	2198	114	155	08.13-12.18	■	
TRANSIT VI V363 (FED, FFD) 08.13-						Platform/Chassis (LCVs-N1 Segment)			
E-TRANSIT		Eléctrico	RWD		135	184	03.22-06.25	■	
E-TRANSIT		Eléctrico	RWD		198	269	03.22-06.25	■	
2.0 EcoBlue (BJFA)	103	Diesel	FWD	1995	77	105	03.16-	■	
2.0 EcoBlue (BJFB)	103	Diesel	FWD	1995	77	105	03.16-	■	
2.0 EcoBlue (YLF6)	103	Diesel	FWD	1995	77	105	03.16-	■	
2.0 EcoBlue (YLFA)	103	Diesel	FWD	1995	77	105	03.16-	■	
2.0 EcoBlue (YLFB)	103	Diesel	FWD	1995	77	105	03.16-	■	
2.0 EcoBlue (YLFS)	103	Diesel	FWD	1995	77	105	03.16-	■	
2.0 EcoBlue RWD (BJRA)	103	Diesel	RWD	1995	77	105	03.16-	■	
2.0 EcoBlue RWD (YLR6)	103	Diesel	RWD	1995	77	105	03.16-	■	
2.0 EcoBlue RWD (YLRA)	103	Diesel	RWD	1995	77	105	03.16-	■	
2.0 EcoBlue (BKFA)	103	Diesel	FWD	1995	96	130	03.16-	■	
2.0 EcoBlue (BKFB)	103	Diesel	FWD	1995	96	130	03.16-	■	
2.0 EcoBlue (YMF6)	103	Diesel	FWD	1995	96	130	03.16-	■	
2.0 EcoBlue (YMFA)	103	Diesel	FWD	1995	96	130	03.16-	■	
2.0 EcoBlue (YMFB)	103	Diesel	FWD	1995	96	130	03.16-	■	
2.0 EcoBlue (YMFS)	103	Diesel	FWD	1995	96	130	03.16-	■	
2.0 EcoBlue RWD (BKRA)	103	Diesel	RWD	1995	96	130	03.16-	■	
2.0 EcoBlue RWD (YMHA)	103	Diesel	RWD	1995	96	130	03.16-	■	
2.0 EcoBlue RWD (YMR6)	103	Diesel	RWD	1995	96	130	03.16-	■	
2.0 EcoBlue RWD		Diesel	RWD	1995	121	165	05.22-	■	
2.0 EcoBlue (BLFA)	103	Diesel	FWD	1995	125	170	03.16-06.24	■	
2.0 EcoBlue (BLFB)	103	Diesel	FWD	1995	125	170	03.16-06.24	■	
2.0 EcoBlue (YNF6)	103	Diesel	FWD	1995	125	170	03.16-06.24	■	
2.0 EcoBlue (YNFA)	103	Diesel	FWD	1995	125	170	03.16-06.24	■	
2.0 EcoBlue (YNFB)	103	Diesel	FWD	1995	125	170	03.16-06.24	■	
2.0 EcoBlue (YNFS)	103	Diesel	FWD	1995	125	170	03.16-06.24	■	
2.0 EcoBlue RWD (BLHA)	103	Diesel	RWD	1995	125	170	03.16-06.24	■	
2.0 EcoBlue RWD (BLRA)	103	Diesel	RWD	1995	125	170	03.16-06.24	■	
2.0 EcoBlue RWD (YNR6)	103	Diesel	RWD	1995	125	170	03.16-06.24	■	
2.2 TDCi (DRF5)	103	Diesel	FWD	2198	74	100	08.13-12.18	■	
2.2 TDCi (DRFF)	103	Diesel	FWD	2198	74	100	08.13-12.18	■	
2.2 TDCi (DRFG)	103	Diesel	FWD	2198	74	100	08.13-12.18	■	
2.2 TDCi RWD (DRR5)	103	Diesel	RWD	2198	74	100	08.13-12.18	■	

LISTA DE APLICACIONES - BUYERS GUIDE

2.2 TDCi (CY14)	103	Diesel	FWD	2198	92	125	08.13-12.18	■	
2.2 TDCi (CYF5)	103	Diesel	FWD	2198	92	125	08.13-12.18	■	
2.2 TDCi (CYFG)	103	Diesel	FWD	2198	92	125	08.13-12.18	■	
2.2 TDCi (USF6)	103	Diesel	FWD	2198	92	125	08.13-12.18	■	
2.2 TDCi 4x4 (CY24)	103	Diesel	4WD	2198	92	125	08.13-12.18	■	
2.2 TDCi 4x4 (CYR5)	103	Diesel	4WD	2198	92	125	08.13-12.18	■	
2.2 TDCi RWD (CYR5)	103	Diesel	RWD	2198	92	125	08.13-12.18	■	
2.2 TDCi RWD (USR6)	103	Diesel	RWD	2198	92	125	08.13-12.18	■	
2.2 TDCi RWD (UHR5)	103	Diesel	RWD	2198	99	135	08.13-12.18	■	
2.2 TDCi (CVF5)	103	Diesel	FWD	2198	114	155	08.13-12.18	■	
2.2 TDCi 4x4 (CV24)	103	Diesel	4WD	2198	114	155	08.13-12.18	■	
2.2 TDCi 4x4 (CVR5)	103	Diesel	4WD	2198	114	155	08.13-12.18	■	
2.2 TDCi RWD (CV24)	103	Diesel	RWD	2198	114	155	08.13-12.18	■	
2.2 TDCi RWD (CVR5)	103	Diesel	RWD	2198	114	155	08.13-12.18	■	
2.2 TDCi RWD (UYR6)	103	Diesel	RWD	2198	114	155	08.13-12.18	■	
TRANSIT VI V363 (FCD, FDD) 08.13-						Van (LCVs-N1 Segment)			
E-TRANSIT		Eléctrico	RWD		135	184	03.22-06.25	■	
E-TRANSIT		Eléctrico	RWD		198	269	03.22-06.25	■	
2.0 EcoBlue (BJFA)	103	Diesel	FWD	1995	77	105	03.16-	■	
2.0 EcoBlue (BJFB)	103	Diesel	FWD	1995	77	105	03.16-	■	
2.0 EcoBlue (YLF6)	103	Diesel	FWD	1995	77	105	03.16-	■	
2.0 EcoBlue (YLFA)	103	Diesel	FWD	1995	77	105	03.16-	■	
2.0 EcoBlue (YLFB)	103	Diesel	FWD	1995	77	105	03.16-	■	
2.0 EcoBlue (YLFS)	103	Diesel	FWD	1995	77	105	03.16-	■	
2.0 EcoBlue RWD (BJRA)	103	Diesel	RWD	1995	77	105	03.16-	■	
2.0 EcoBlue RWD (YLR6)	103	Diesel	RWD	1995	77	105	03.16-	■	
2.0 EcoBlue RWD (YLRA)	103	Diesel	RWD	1995	77	105	03.16-	■	
2.0 EcoBlue (BKFA)	103	Diesel	FWD	1995	96	130	03.16-	■	
2.0 EcoBlue (BKFB)	103	Diesel	FWD	1995	96	130	03.16-	■	
2.0 EcoBlue (YMF6)	103	Diesel	FWD	1995	96	130	03.16-	■	
2.0 EcoBlue (YMFA)	103	Diesel	FWD	1995	96	130	03.16-	■	
2.0 EcoBlue (YMFB)	103	Diesel	FWD	1995	96	130	03.16-	■	
2.0 EcoBlue (YMFS)	103	Diesel	FWD	1995	96	130	03.16-	■	
2.0 EcoBlue RWD (BKRA)	103	Diesel	RWD	1995	96	130	03.16-	■	
2.0 EcoBlue RWD (YMHA)	103	Diesel	RWD	1995	96	130	03.16-	■	
2.0 EcoBlue RWD (YMR6)	103	Diesel	RWD	1995	96	130	03.16-	■	
2.0 EcoBlue RWD		Diesel	RWD	1995	121	165	05.22-	■	
2.0 EcoBlue (BLFA)	103	Diesel	FWD	1995	125	170	03.16-06.24	■	
2.0 EcoBlue (BLFB)	103	Diesel	FWD	1995	125	170	03.16-06.24	■	
2.0 EcoBlue (YNF6)	103	Diesel	FWD	1995	125	170	03.16-06.24	■	
2.0 EcoBlue (YNFA)	103	Diesel	FWD	1995	125	170	03.16-06.24	■	
2.0 EcoBlue (YNFB)	103	Diesel	FWD	1995	125	170	03.16-06.24	■	
2.0 EcoBlue (YNFS)	103	Diesel	FWD	1995	125	170	03.16-06.24	■	
2.0 EcoBlue RWD (BLHA)	103	Diesel	RWD	1995	125	170	03.16-06.24	■	
2.0 EcoBlue RWD (BLRA)	103	Diesel	RWD	1995	125	170	03.16-06.24	■	
2.0 EcoBlue RWD (YNR6)	103	Diesel	RWD	1995	125	170	03.16-06.24	■	
2.2 TDCi (DRF5)	103	Diesel	FWD	2198	74	100	08.13-12.18	■	
2.2 TDCi (DRFF)	103	Diesel	FWD	2198	74	100	08.13-12.18	■	
2.2 TDCi (DRFG)	103	Diesel	FWD	2198	74	100	08.13-12.18	■	
2.2 TDCi RWD (DRR5)	103	Diesel	RWD	2198	74	100	08.13-12.18	■	
2.2 TDCi (CY14)	103	Diesel	FWD	2198	92	125	08.13-12.18	■	

LISTA DE APLICACIONES - BUYERS GUIDE

2.2 TDCi (CYF5)	103	Diesel	FWD	2198	92	125	08.13-12.18	■	
2.2 TDCi (CYFG)	103	Diesel	FWD	2198	92	125	08.13-12.18	■	
2.2 TDCi (USF6)	103	Diesel	FWD	2198	92	125	08.13-12.18	■	
2.2 TDCi 4x4 (CY24)	103	Diesel	4WD	2198	92	125	08.13-12.18	■	
2.2 TDCi 4x4 (CYR5)	103	Diesel	4WD	2198	92	125	08.13-12.18	■	
2.2 TDCi RWD (CYR5)	103	Diesel	RWD	2198	92	125	08.13-12.18	■	
2.2 TDCi RWD (USR6)	103	Diesel	RWD	2198	92	125	08.13-12.18	■	
2.2 TDCi (CVF5)	103	Diesel	FWD	2198	114	155	08.13-12.18	■	
2.2 TDCi 4x4 (CV24)	103	Diesel	4WD	2198	114	155	08.15-12.18	■	
2.2 TDCi 4x4 (CVR5)	103	Diesel	4WD	2198	114	155	08.15-12.18	■	
2.2 TDCi RWD (CV24)	103	Diesel	RWD	2198	114	155	08.13-12.18	■	
2.2 TDCi RWD (CVR5)	103	Diesel	RWD	2198	114	155	08.13-12.18	■	
2.2 TDCi RWD (UYR6)	103	Diesel	RWD	2198	114	155	08.13-12.18	■	
FORD AUSTRALIA									
TRANSIT (VO) 09.14-						Platform/Chassis (LCVs-N1 Segment)			
2.2 TDCi	103	Diesel	RWD	2198	114	155	09.14-	■	
TRANSIT (VO) 09.14-						Van (LCVs-N1 Segment)			
2.2 TDCi	103	Diesel	RWD	2198	114	155	09.14-	■	