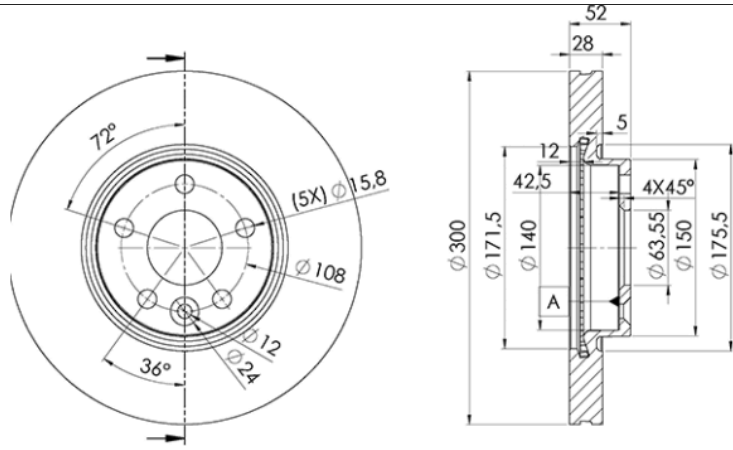


LISTA DE APLICACIONES - BUYERS GUIDE

78BD6765-2



Weight: 17.592



78BD6765-2

E1 90R-02C0452/0127



Ø300x28x52.3

MAKE

- FORD
- LAND ROVER
- VOLVO
- VOLVO ASIA

O.E.M.	MAKE
1 379 965	FORD
1 384 689	FORD
1 405 510	FORD
1 420 600	FORD
1 420 601	FORD
1 469 085	FORD
1 500 158	FORD
1 517 696	FORD
3 073 631 1	VOLVO
3 076 905 6	VOLVO
3 120 232 7	VOLVO
3 120 233 1	VOLVO
3 134 138 2	VOLVO
6G91-2C375-F1B	FORD
7G91-1125-BA	FORD
LR-000571	LAND ROVER
LR-007055	LAND ROVER



Trac.	CC	Kw	CV	Front / Rear
-------	----	----	----	--------------

FORD

GALAXY II (WA6) 05.06-06.15						Box Body/MPV (Large MPV-M1 Segment)		
EcoBoost		Gasolina	FWD	1596	118	160	02.11-06.15	■
2.0	07/07-	Gasolina	FWD	1999	107	145	05.06-06.15	■
TDCi		Diesel	FWD	1560	85	116	03.13-06.15	■
TDCi		Diesel	FWD	1997	85	116	01.07-06.15	■
TDCi		Diesel	FWD	1997	96	131	11.06-06.15	■
TDCi		Diesel	FWD	1997	103	140	05.06-06.15	■
TDCi		Diesel	FWD	1997	120	163	03.10-06.15	■
TDCi		Diesel	FWD	2179	147	200	03.13-06.15	■
GALAXY II (WA6) 05.06-06.15						MPV (Large MPV-M1 Segment)		
1.6 EcoBoost (JTWA)		Gasolina	FWD	1596	118	160	11.10-06.15	■
1.6 EcoBoost (JTWB)		Gasolina	FWD	1596	118	160	11.10-06.15	■
2.0 (AOWA)		Gasolina	FWD	1999	107	145	05.06-06.15	■
2.0 (AOWB)		Gasolina	FWD	1999	107	145	05.06-06.15	■
2.0 (TBWA)		Gasolina	FWD	1999	107	145	05.06-06.15	■
2.0 (TBWB)		Gasolina	FWD	1999	107	145	05.06-06.15	■
2.3 (SEWA)		Gasolina	FWD	2261	118	160	09.07-06.15	■
2.0 FlexiFuel (TBWA)	07/07-	Gasol./Etanol	FWD	1999	107	145	05.06-06.15	■
2.0 FlexiFuel (TBWB)	07/07-	Gasol./Etanol	FWD	1999	107	145	05.06-06.15	■
1.6 TDCi (T1WA)		Diesel	FWD	1560	85	115	02.11-06.15	■
1.6 TDCi (T1WB)		Diesel	FWD	1560	85	115	02.11-06.15	■
1.8 TDCi (FFWA)		Diesel	FWD	1753	74	100	05.06-06.15	■
1.8 TDCi (QYWA)		Diesel	FWD	1753	92	125	05.06-06.15	■

LISTA DE APLICACIONES - BUYERS GUIDE

2.0 TDCi (KLWA)		Diesel	FWD	1997	85	115	11.07-06.15	■
2.0 TDCi (TYWA)		Diesel	FWD	1997	85	115	11.07-06.15	■
2.0 TDCi (AZWA)		Diesel	FWD	1997	96	130	05.06-06.15	■
2.0 TDCi (AZWC)		Diesel	FWD	1997	100	136	05.06-06.15	■
2.0 TDCi (UKWA)		Diesel	FWD	1997	100	136	05.06-06.15	■
2.0 TDCi (QXWA)		Diesel	FWD	1997	103	140	05.06-06.15	■
2.0 TDCi (QXWB)		Diesel	FWD	1997	103	140	05.06-06.15	■
2.0 TDCi (QXWC)		Diesel	FWD	1997	103	140	05.06-06.15	■
2.0 TDCi (UFWA)		Diesel	FWD	1997	103	140	05.06-06.15	■
2.0 TDCi (TXWA)		Diesel	FWD	1997	120	163	03.10-06.15	■
2.2 TDCi (Q4WA)		Diesel	FWD	2179	129	175	03.08-12.12	■
2.2 TDCi (KNWA)		Diesel	FWD	2179	147	200	11.10-06.15	■
MONDEO IV 03.07-01.15					Estate Van (Large family car-D Segment)			
2.0 TDCi (KLBA)		Diesel	FWD	1997	85	116	11.07-09.14	■
2.0 TDCi (QXBB)		Diesel	FWD	1997	103	140	03.07-09.14	■
2.0 TDCi (UFBA)		Diesel	FWD	1997	103	140	03.07-09.14	■
2.0 TDCi (UFBB)		Diesel	FWD	1997	103	140	03.07-09.14	■
MONDEO IV (BA7) 03.07-01.15					Hatchback (Large family car-D Segment)			
1.6 Ti (RHBA)		Gasolina	FWD	1596	81	110	03.07-01.15	■
1.6 Ti (KGBA)		Gasolina	FWD	1596	88	120	07.10-01.15	■
1.6 Ti (PNBA)		Gasolina	FWD	1596	92	125	03.07-01.15	■
1.6 EcoBoost (JTBA)		Gasolina	FWD	1596	118	160	02.11-01.15	■
1.6 EcoBoost (JTBB)		Gasolina	FWD	1596	118	160	02.11-01.15	■
2.0 (AOBA)		Gasolina	FWD	1999	107	145	03.07-01.15	■
2.0 (AOBC)		Gasolina	FWD	1999	107	145	03.07-01.15	■
2.0 (TBBA)		Gasolina	FWD	1999	107	145	03.07-01.15	■
2.0 (TBBB)		Gasolina	FWD	1999	107	145	03.07-01.15	■
2.0 SCTi (TNBA)		Gasolina	FWD	1999	149	203	03.10-01.15	■
2.0 EcoBoost (TPBA)		Gasolina	FWD	1999	176	240	07.10-01.15	■
2.3 (SEBA)		Gasolina	FWD	2261	118	160	07.07-01.15	■
2.5 (HUBA)		Gasolina	FWD	2521	162	220	03.07-01.15	■
2.0 LPG (TBBA)		Gasol./Gas (LPG)	FWD	1999	107	145	07.09-01.15	■
2.0 FlexiFuel (TBBA)		Gasol./Etanol	FWD	1999	107	145	03.09-01.15	■
2.0 FlexiFuel (TBBB)		Gasol./Etanol	FWD	1999	107	145	03.09-01.15	■
1.6 TDCi (T1BA)		Diesel	FWD	1560	85	115	02.11-01.15	■
1.6 TDCi (T1BB)		Diesel	FWD	1560	85	115	02.11-01.15	■
1.6 TDCi (T1BC)		Diesel	FWD	1560	85	115	02.11-01.15	■
1.8 TDCi (FFBA)		Diesel	FWD	1753	74	100	03.07-01.15	■
1.8 TDCi (KHBA)		Diesel	FWD	1753	92	125	06.07-01.15	■
1.8 TDCi (QYBA)		Diesel	FWD	1753	92	125	06.07-01.15	■
2.0 TDCi (KLBA)		Diesel	FWD	1997	85	115	11.07-01.15	■
2.0 TDCi (LPBA)		Diesel	FWD	1997	85	115	11.07-01.15	■
2.0 TDCi (TYBA)		Diesel	FWD	1997	85	115	11.07-01.15	■
2.0 TDCi (AZBA)		Diesel	FWD	1997	96	130	03.07-01.15	■
2.0 TDCi (AZBC)		Diesel	FWD	1997	100	136	03.07-12.14	■
2.0 TDCi (UKBA)		Diesel	FWD	1997	100	136	03.07-12.14	■
2.0 TDCi (UKBB)		Diesel	FWD	1997	100	136	03.07-12.14	■
2.0 TDCi (QXBA)		Diesel	FWD	1997	103	140	03.07-01.15	■
2.0 TDCi (QXBB)		Diesel	FWD	1997	103	140	03.07-01.15	■

LISTA DE APLICACIONES - BUYERS GUIDE

2.0 TDCi (UFBA)		Diesel	FWD	1997	103	140	03.07-01.15	■	
2.0 TDCi (UFBB)		Diesel	FWD	1997	103	140	03.07-01.15	■	
2.0 TDCi (TXBA)		Diesel	FWD	1997	120	163	03.10-01.15	■	
2.0 TDCi (TXBB)		Diesel	FWD	1997	120	163	03.10-01.15	■	
2.2 TDCi (Q4BA)		Diesel	FWD	2179	129	175	03.08-10.10	■	
2.2 TDCi (KNBA)		Diesel	FWD	2179	147	200	07.10-01.15	■	
MONDEO IV (BA7) 03.07-01.15							Saloon (Large family car-D Segment)		
1.6 Ti (RHBA)		Gasolina	FWD	1596	81	110	03.07-01.15	■	
1.6 Ti (PNBA)		Gasolina	FWD	1596	92	125	03.07-01.15	■	
1.6 EcoBoost (JTBA)		Gasolina	FWD	1596	118	160	11.10-01.15	■	
1.6 EcoBoost (JTBB)		Gasolina	FWD	1596	118	160	11.10-01.15	■	
2.0 (AOBA)		Gasolina	FWD	1999	107	145	03.07-01.15	■	
2.0 (AOBC)		Gasolina	FWD	1999	107	145	03.07-01.15	■	
2.0 (TBBA)		Gasolina	FWD	1999	107	145	03.07-01.15	■	
2.0 (TBBB)		Gasolina	FWD	1999	107	145	03.07-01.15	■	
2.3 (SEBA)		Gasolina	FWD	2261	118	160	07.07-01.15	■	
2.5 (HUBA)		Gasolina	FWD	2521	162	220	03.07-01.15	■	
2.0 LPG (TBBA)		Gasol./Gas (LPG)	FWD	1999	107	145	07.09-01.15	■	
2.0 FlexiFuel (TBBA)		Gasol./Etanol	FWD	1999	107	145	03.09-01.15	■	
2.0 FlexiFuel (TBBB)		Gasol./Etanol	FWD	1999	107	145	03.09-01.15	■	
1.8 TDCi (FFBA)	09/07-	Diesel	FWD	1753	74	100	03.07-01.15	■	
1.8 TDCi (KHBA)		Diesel	FWD	1753	92	125	06.07-01.15	■	
1.8 TDCi (QYBA)		Diesel	FWD	1753	92	125	06.07-01.15	■	
2.0 TDCi (KLBA)		Diesel	FWD	1997	85	115	11.07-01.15	■	
2.0 TDCi (LPBA)		Diesel	FWD	1997	85	115	11.07-01.15	■	
2.0 TDCi (TYBA)		Diesel	FWD	1997	85	115	11.07-01.15	■	
2.0 TDCi (AZBA)		Diesel	FWD	1997	96	130	03.07-01.15	■	
2.0 TDCi (QXBA)		Diesel	FWD	1997	103	140	03.07-01.15	■	
2.0 TDCi (QXBB)		Diesel	FWD	1997	103	140	03.07-01.15	■	
2.0 TDCi (UFBA)		Diesel	FWD	1997	103	140	03.07-01.15	■	
2.0 TDCi (UFBB)		Diesel	FWD	1997	103	140	03.07-01.15	■	
2.0 TDCi (TXBA)		Diesel	FWD	1997	120	163	03.10-01.15	■	
2.0 TDCi (TXBB)		Diesel	FWD	1997	120	163	03.10-01.15	■	
2.2 TDCi (Q4BA)		Diesel	FWD	2179	129	175	03.08-10.10	■	
MONDEO IV Turnier (BA7) 03.07-01.15							Estate (Large family car-D Segment)		
1.6 Ti (RHBA)		Gasolina	FWD	1596	81	110	03.07-12.12	■	
1.6 Ti (KGBA)		Gasolina	FWD	1596	88	120	07.10-01.15	■	
1.6 Ti (PNBA)		Gasolina	FWD	1596	92	125	03.07-12.10	■	
1.6 EcoBoost (JTBA)		Gasolina	FWD	1596	118	160	02.11-01.15	■	
1.6 EcoBoost (JTBB)		Gasolina	FWD	1596	118	160	02.11-01.15	■	
2.0 (AOBA)		Gasolina	FWD	1999	107	145	03.07-01.15	■	
2.0 (AOBC)		Gasolina	FWD	1999	107	145	03.07-01.15	■	
2.0 (TBBA)		Gasolina	FWD	1999	107	145	03.07-01.15	■	
2.0 (TBBB)		Gasolina	FWD	1999	107	145	03.07-01.15	■	
2.0 SCTi (TNBA)		Gasolina	FWD	1999	149	203	03.10-01.15	■	
2.0 EcoBoost (TPBA)		Gasolina	FWD	1999	176	240	07.10-01.15	■	
2.3 (SEBA)		Gasolina	FWD	2261	118	160	07.07-01.15	■	
2.5 (HUBA)		Gasolina	FWD	2521	162	220	03.07-12.12	■	
2.0 LPG (TBBA)		Gasol./Gas (LPG)	FWD	1999	107	145	07.09-01.15	■	

LISTA DE APLICACIONES - BUYERS GUIDE

2.0 FlexiFuel (TBBA)		Gasol./Etanol	FWD	1999	107	145	03.09-01.15	■
2.0 FlexiFuel (TBBB)		Gasol./Etanol	FWD	1999	107	145	03.09-01.15	■
1.6 TDCi (T1BA)		Diesel	FWD	1560	85	115	02.11-01.15	■
1.6 TDCi (T1BB)		Diesel	FWD	1560	85	115	02.11-01.15	■
1.6 TDCi (T1BC)		Diesel	FWD	1560	85	115	02.11-01.15	■
1.8 TDCi (FFBA)		Diesel	FWD	1753	74	100	03.07-12.12	■
1.8 TDCi (KHBA)		Diesel	FWD	1753	92	125	06.07-12.12	■
1.8 TDCi (QYBA)		Diesel	FWD	1753	92	125	06.07-12.12	■
2.0 TDCi (KLBA)		Diesel	FWD	1997	85	115	11.07-01.15	■
2.0 TDCi (LPBA)		Diesel	FWD	1997	85	115	11.07-01.15	■
2.0 TDCi (TYBA)		Diesel	FWD	1997	85	115	11.07-01.15	■
2.0 TDCi (AZBA)		Diesel	FWD	1997	96	130	03.07-12.12	■
2.0 TDCi (AZBC)		Diesel	FWD	1997	100	136	03.07-12.14	■
2.0 TDCi (UKBA)		Diesel	FWD	1997	100	136	03.07-12.14	■
2.0 TDCi (UKBB)		Diesel	FWD	1997	100	136	03.07-12.14	■
2.0 TDCi (QXBA)		Diesel	FWD	1997	103	140	03.07-01.15	■
2.0 TDCi (QXBB)		Diesel	FWD	1997	103	140	03.07-01.15	■
2.0 TDCi (UFBA)		Diesel	FWD	1997	103	140	03.07-01.15	■
2.0 TDCi (UFBB)		Diesel	FWD	1997	103	140	03.07-01.15	■
2.0 TDCi (TXBA)		Diesel	FWD	1997	120	163	03.10-01.15	■
2.0 TDCi (TXBB)		Diesel	FWD	1997	120	163	03.10-01.15	■
2.2 TDCi (Q4BA)		Diesel	FWD	2179	129	175	03.08-10.10	■
2.2 TDCi (KNBA)		Diesel	FWD	2179	147	200	07.10-01.15	■
S-MAX (WA6) 05.06-12.14					Box Body/MPV (LCVs-N1 Segment)			
1.6		Gasolina	FWD	1596	118	160	02.11-12.14	■
2.0		Gasolina	FWD	1999	107	145	03.10-12.14	■
2.0 EcoBoost		Gasolina	FWD	1999	149	203	03.10-12.14	■
2.0 EcoBoost		Gasolina	FWD	1999	176	239	07.10-12.14	■
2.0 TDCi		Diesel	FWD	1997	85	116	01.07-12.14	■
2.0 TDCi		Diesel	FWD	1997	103	140	03.10-12.14	■
2.0 TDCi		Diesel	FWD	1997	120	163	03.10-12.14	■
S-MAX (WA6) 05.06-12.14					MPV (Large MPV-M1 Segment)			
1.6 EcoBoost (JTWA)		Gasolina	FWD	1596	118	160	02.11-12.14	■
1.6 EcoBoost (JTWB)		Gasolina	FWD	1596	118	160	02.11-12.14	■
2.0 (AOWA)		Gasolina	FWD	1999	107	145	05.06-12.14	■
2.0 (AOWB)		Gasolina	FWD	1999	107	145	05.06-12.14	■
2.0 (TBWA)		Gasolina	FWD	1999	107	145	05.06-12.14	■
2.0 (TBWB)		Gasolina	FWD	1999	107	145	05.06-12.14	■
2.0 EcoBoost (TNWB)		Gasolina	FWD	1999	146	199	07.10-12.14	■
2.0 EcoBoost (TPWA)	05/11-	Gasolina	FWD	1999	176	240	07.10-12.14	■
2.3 (SEWA)		Gasolina	FWD	2261	118	160	07.07-12.14	■
2.5 ST (HUWA)		Gasolina	FWD	2521	162	220	05.06-12.14	■
2.0 FlexiFuel (TBWA)		Gasol./Etanol	FWD	1999	107	145	05.06-12.14	■
2.0 FlexiFuel (TBWB)		Gasol./Etanol	FWD	1999	107	145	05.06-12.14	■
1.6 TDCi (T1WA)		Diesel	FWD	1560	85	115	02.11-12.14	■
1.6 TDCi (T1WB)		Diesel	FWD	1560	85	115	02.11-12.14	■
1.8 TDCi (FFWA)		Diesel	FWD	1753	74	100	01.07-12.10	■
1.8 TDCi (QYWA)		Diesel	FWD	1753	92	125	05.06-12.14	■
2.0 TDCi (KLWA)		Diesel	FWD	1997	85	115	11.07-12.14	■

LISTA DE APLICACIONES - BUYERS GUIDE

2.0 TDCi (TYWA)		Diesel	FWD	1997	85	115	11.07-12.14	■
2.0 TDCi (AZWA)		Diesel	FWD	1997	96	130	05.06-12.14	■
2.0 TDCi (AZWC)		Diesel	FWD	1997	100	136	05.06-12.14	■
2.0 TDCi (UKWA)		Diesel	FWD	1997	100	136	05.06-12.14	■
2.0 TDCi (QXWA)		Diesel	FWD	1997	103	140	05.06-12.14	■
2.0 TDCi (QXWB)		Diesel	FWD	1997	103	140	05.06-12.14	■
2.0 TDCi (QXWC)		Diesel	FWD	1997	103	140	05.06-12.14	■
2.0 TDCi (UFWA)		Diesel	FWD	1997	103	140	05.06-12.14	■
2.0 TDCi (TXWA)		Diesel	FWD	1997	120	163	03.10-12.14	■
2.2 TDCi (Q4WA)		Diesel	FWD	2179	129	175	03.08-12.12	■
2.2 TDCi (KNWA)		Diesel	FWD	2179	147	200	07.10-12.14	■

LAND ROVER

FREELANDER 2 / LR2 (L359) 10.06-12.15					Closed Off-Road Vehicle (Compact SUV-J Segment)			
2.2 eD4 (224DT)		Diesel	FWD	2179	110	150	08.10-10.14	■
2.2 eD4 (DW12BTED4)		Diesel	FWD	2179	110	150	08.10-10.14	■
2.2 TD4 4x4 (224DT)		Diesel	4WD	2179	110	150	10.06-10.14	■
2.2 TD4 4x4 (DW12BTED4)		Diesel	4WD	2179	110	150	10.06-10.14	■
2.2 TD4 4x4 (224DT)		Diesel	4WD	2179	112	152	01.07-10.14	■
2.2 TD4 4x4 (224DT)		Diesel	4WD	2179	115	156	10.06-10.14	■
2.2 TD4 4x4 (224DT)		Diesel	4WD	2179	118	160	10.06-10.14	■
2.2 TD4 4x4 (DW12BTED4)		Diesel	4WD	2179	118	160	10.06-10.14	■
2.2 SD4 4x4 (224DT)		Diesel	4WD	2179	140	190	08.10-10.14	■

FREELANDER 2 / LR2 (L359) 10.06-10.14					Van (Compact SUV-J Segment)			
2.2 TD4 4x4 (224DT)		Diesel	4WD	2179	118	160	10.06-10.14	■

RANGE ROVER EVOQUE (L538) 11.15-					Convertible (Compact SUV-J Segment)			
2.0 4x4 (PT204)		Gasolina	4WD	1997	177	241	08.17-12.19	■
2.0 4x4 (204PT)		Gasolina	4WD	1999	177	241	11.15-12.19	■
2.0 D 4x4 (204DTD)		Diesel	4WD	1999	110	150	11.15-12.19	■
2.0 D 4x4 (204DTD)		Diesel	4WD	1999	132	180	11.15-12.19	■
2.0 D 4x4 (204DTA)		Diesel	4WD	1999	177	241	08.17-12.19	■

RANGE ROVER EVOQUE (L538) 06.11-12.19					SUV Van (Compact SUV-J Segment)			
Si4 4x4		Gasolina	4WD	1999	177	241	09.13-12.19	■
TD4		Diesel	FWD	2179	110	150	05.15-12.19	■
TD4 4x4		Diesel	4WD	2179	110	150	05.15-12.19	■
SD4 4x4		Diesel	4WD	2179	140	190	05.15-12.19	■

RANGE ROVER EVOQUE (L538) 06.11-					SUV (Compact SUV-J Segment)			
2.0 4x4 (PT204)		Gasolina	4WD	1997	177	241	08.17-12.19	■
2.0 4x4 (PT204)		Gasolina	4WD	1997	213	290	08.17-12.19	■
2.0 4x4 (204PT)		Gasolina	4WD	1999	176	240	09.11-12.19	■
2.0 4x4 (204PT)		Gasolina	4WD	1999	177	241	06.11-12.19	■
2.0 D (204DTD)		Diesel	FWD	1999	110	150	06.15-12.19	■
2.0 D 4x4 (204DTD)		Diesel	4WD	1999	110	150	06.15-12.19	■
2.0 D 4x4 (204DTD)		Diesel	4WD	1999	132	180	05.15-12.19	■
2.0 D 4x4 (204DTA)		Diesel	4WD	1999	177	241	08.17-12.19	■
2.2 D (224DT)		Diesel	FWD	2179	110	150	06.11-12.19	■
2.2 D 4x4 (224DT)		Diesel	4WD	2179	110	150	06.11-12.19	■
2.2 D 4x4 (224DT)		Diesel	4WD	2179	140	190	06.11-12.19	■

VOLVO

LISTA DE APLICACIONES - BUYERS GUIDE

S60 II (134) 04.10-						Saloon (Compact executive car-D Segment)			
T2 (B 4154 T5)	Rim 16	Gasolina	FWD	1498	90	122	10.15-05.18	■	
T3 (B 4154 T4)	Rim 16	Gasolina	FWD	1498	112	152	03.15-05.18	■	
T3 (B 4164 T3)	Rim 16	Gasolina	FWD	1596	110	150	04.10-12.15	■	
T4 (B 4164 T)	Rim 16	Gasolina	FWD	1596	132	180	04.10-12.15	■	
T3 (B 4204 T37)	Rim 16	Gasolina	FWD	1969	112	152	03.15-05.18	■	
T4 (B 4204 T19)	Rim 16	Gasolina	FWD	1969	140	190	03.15-05.18	■	
T5 (B 4204 T11)	Rim 16	Gasolina	FWD	1969	180	245	09.13-12.18	■	
T5 AWD (B 4204 T11)		Gasolina	4WD	1969	180	245	07.14-12.18	■	
T5 AWD		Gasolina	4WD	1969	180	245	06.16-12.18	■	
T5 Drive-E Polestar AWD (B 4204 T11)		Gasolina	4WD	1969	186	253	06.16-05.18	■	
T6 (B 4204 T9)	Rim 16	Gasolina	FWD	1969	225	306	09.13-12.18	■	
T6 AWD (B 4204 T9)	Rim 16	Gasolina	4WD	1969	225	306	09.15-12.18	■	
2.0 T (B 5204 T8)	Rim 16	Gasolina	FWD	1984	132	180	05.12-12.15	■	
T5 (B 5204 T9)		Gasolina	FWD	1984	157	214	11.13-03.15	■	
2.0 T (B 4204 T6)	Rim 16	Gasolina	FWD	1999	149	203	04.10-12.11	■	
T5 (B 4204 T7)	Rim 16	Gasolina	FWD	1999	177	240	04.10-12.14	■	
T5 DRIVe (B 4204 T7)		Gasolina	FWD	1999	180	245	09.14-12.15	■	
2.5 T		Gasolina	FWD	2497	183	249	01.13-01.16	■	
T5 AWD (B 5254 T14)		Gasolina	4WD	2497	183	249	03.15-12.18	■	
T5 AWD (B 5254 T12)	Rim 16	Gasolina	4WD	2497	187	254	08.15-12.18	■	
T5 AWD		Gasolina	4WD	2497	187	254	03.15-12.18	■	
T5 (B 5254 T5)	Rim 16	Gasolina	FWD	2521	186	253	09.11-12.15	■	
T5 AWD (B 5254 T5)		Gasolina	4WD	2521	186	253	09.12-12.15	■	
T6 AWD (B 6304 T4)	Rim 16	Gasolina	4WD	2953	224	304	04.10-12.15	■	
T6 AWD (B 6304 T3)	Rim 16	Gasolina	4WD	2953	242	329	04.14-12.15	■	
T6 AWD (B 6304 T4)	Rim 16	Gasolina	4WD	2953	242	329	04.14-12.15	■	
3.0 T AWD (B 6304 T5)	Rim 16	Gasolina	4WD	2953	258	351	04.14-12.18	■	
T4F (B 4164 T2)	Rim 16	Gasol./Etanol	FWD	1596	132	180	04.11-12.15	■	
DRIVe / D2 (D 4162 T)	Rim 16	Diesel	FWD	1560	84	114	01.11-12.15	■	
D2 (D 4204 T20)	Rim 16	Diesel	FWD	1969	88	120	03.15-05.18	■	
D2 (D 4204 T8)	Rim 16	Diesel	FWD	1969	88	120	03.15-05.18	■	
D3 (D 4204 T4)	Rim 16	Diesel	FWD	1969	110	150	03.15-05.18	■	
D3 (D 4204 T9)	Rim 16	Diesel	FWD	1969	110	150	03.15-05.18	■	
D3		Diesel	FWD	1969	110	150	03.15-05.18	■	
D4 (D 4204 T5)	Rim 16	Diesel	FWD	1969	133	181	09.13-12.15	■	
2.0 D4	Rim 16	Diesel	RWD	1969	140	190	03.15-	■	
D4 (D 4204 T14)	Rim 16	Diesel	FWD	1969	140	190	03.15-05.18	■	
D4		Diesel	FWD	1969	140	190	03.15-05.18	■	
D4 Drive-E Polestar (D 4204 T14)		Diesel	FWD	1969	147	200	03.15-05.18	■	
D4 Drive-E Polestar		Diesel	FWD	1969	147	200	03.15-05.18	■	
D5 (D 4204 T11)	Rim 16	Diesel	FWD	1969	165	224	03.15-05.18	■	
D5 Drive-E Polestar (D 4204 T11)		Diesel	FWD	1969	171	232	03.15-05.18	■	
D3 (D 5204 T7)	Rim 16	Diesel	FWD	1984	100	136	05.12-12.15	■	
D3 (D 5204 T2)	Rim 16	Diesel	FWD	1984	120	163	04.10-12.14	■	
D3 (D 5204 T3)	Rim 16	Diesel	FWD	1984	120	163	04.10-12.14	■	
D4 (D 5204 T3)	Rim 16	Diesel	FWD	1984	120	163	04.10-12.14	■	
D4 AWD (D 5244 T21)	Rim 16	Diesel	4WD	2400	140	190	03.15-05.18	■	
D4 AWD		Diesel	4WD	2400	140	190	03.15-05.18	■	
D5 (D 5244 T10)	Rim 16	Diesel	FWD	2400	151	205	04.10-12.11	■	

LISTA DE APLICACIONES - BUYERS GUIDE

D5 AWD (D 5244 T10)	Rim 16	Diesel	4WD	2400	151	205	04.10-12.11	■	
D5 (D 5244 T11)	Rim 16	Diesel	FWD	2400	158	215	04.11-12.15	■	
D5 (D 5244 T15)	Rim 16	Diesel	FWD	2400	158	215	04.11-12.15	■	
D5 AWD (D 5244 T15)	Rim 16	Diesel	4WD	2400	158	215	04.11-12.15	■	
D4 Polestar AWD (D 5244 T21)		Diesel	4WD	2400	162	220	03.15-07.18	■	
D5 (D 5244 T15)	Rim 16	Diesel	FWD	2400	169	230	04.14-12.15	■	
D5 AWD (D 5244 T15)	Rim 16	Diesel	4WD	2400	169	230	04.14-12.15	■	
S80 II (124) 03.06-				Saloon (Executive car-E Segment)					
T4 (B 4164 T)	Rim 16	Gasolina	FWD	1596	132	180	10.10-04.14	■	
T5 (B 4204 T15)	Rim 16	Gasolina	FWD	1969	162	220	01.14-12.16	■	
T5 (B 4204 T11)	Rim 16	Gasolina	FWD	1969	180	245	09.13-05.14	■	
2.0 (B 4204 S3)	Rim 16	Gasolina	FWD	1999	107	146	01.08-09.12	■	
2.0 T (B 4204 T6)	Rim 16	Gasolina	FWD	1999	149	203	01.10-05.11	■	
T5 (B 4204 T7)	Rim 16	Gasolina	FWD	1999	177	241	10.10-12.16	■	
2.5 T (B 5254 T6)	Rim 16	Gasolina	FWD	2521	147	200	03.06-12.11	■	
2.5 T AWD (B 5254 T6)	Rim 16	Gasolina	4WD	2521	147	200	10.06-04.09	■	
2.5 T (B 5254 T10)	Rim 16	Gasolina	FWD	2521	170	231	01.10-12.12	■	
T6 AWD (B 6304 T2)	Rim 16	Gasolina	4WD	2953	210	286	01.07-12.10	■	
T6 AWD (B 6304 T4)	Rim 16	Gasolina	4WD	2953	224	305	10.10-12.15	■	
3.2 (B 6324 S)	Rim 16	Gasolina	FWD	3192	175	238	03.06-12.10	■	
3.2 AWD (B 6324 S)	Rim 16	Gasolina	4WD	3192	175	238	01.07-12.10	■	
3.2 (B 6324 S5)	Rim 16	Gasolina	FWD	3192	179	243	01.10-12.14	■	
3.2 AWD (B 6324 S5)	Rim 16	Gasolina	4WD	3192	179	243	01.10-12.14	■	
4.4 V8 AWD (B 8444 S)	Rim 16	Gasolina	4WD	4414	232	316	03.06-03.12	■	
T4F (B 4164 T2)	Rim 16	Gasol./Etanol	FWD	1596	132	180	05.11-01.14	■	
2.0 FlexFuel (B 4204 S4)	Rim 16	Gasol./Etanol	FWD	1999	107	146	01.08-12.11	■	
2.5 T FlexFuel (B 5254 T8)	Rim 16	Gasol./Etanol	FWD	2521	147	200	05.08-12.11	■	
2.5 T FlexFuel (B 5254 T11)	Rim 16	Gasol./Etanol	FWD	2521	170	231	01.10-12.11	■	
3.2 Flexifuel AWD		Gasol./Etanol	4WD	3192	177	241	01.09-03.10	■	
1.6 D DRIVe (D 4164 T)	Rim 16	Diesel	FWD	1560	80	109	01.10-12.11	■	
1.6 DRIVe (D 4162 T)	Rim 16	Diesel	FWD	1560	84	114	06.11-01.14	■	
D2		Diesel	FWD	1560	85	116	01.14-12.16	■	
D4 (D 4204 T5)	Rim 16	Diesel	FWD	1969	133	181	09.13-12.16	■	
D3 (D 5204 T7)		Diesel	FWD	1984	100	136	05.12-05.14	■	
D3 / D4 (D 5204 T2)	Rim 16	Diesel	FWD	1984	120	163	01.10-12.16	■	
D3 / D4 (D 5204 T3)	Rim 16	Diesel	FWD	1984	120	163	01.10-12.16	■	
2.0 TDI (D 4204 T)	Rim 16	Diesel	FWD	1998	100	136	02.08-03.11	■	
2.4 D (D 5244 T19)	Rim 16	Diesel	FWD	2400	120	163	03.06-03.11	■	
2.4 D (D 5244 T5)	Rim 16	Diesel	FWD	2400	120	163	03.06-03.11	■	
2.4 D (D 5244 T14)	Rim 16	Diesel	FWD	2400	129	175	01.10-03.11	■	
D5 (D 5244 T4)	Rim 16	Diesel	FWD	2400	136	185	03.06-08.09	■	
D5 AWD (D 5244 T4)	Rim 16	Diesel	4WD	2400	136	185	01.07-05.09	■	
D5 (D 5244 T10)	Rim 16	Diesel	FWD	2400	151	205	01.10-12.11	■	
D5 AWD (D 5244 T10)	Rim 16	Diesel	4WD	2400	151	205	01.10-12.11	■	
D5 (D 5244 T11)	Rim 16	Diesel	FWD	2400	158	215	06.11-04.15	■	
D5 (D 5244 T15)	Rim 16	Diesel	FWD	2400	158	215	06.11-04.15	■	
D5 AWD (D 5244 T15)	Rim 16	Diesel	4WD	2400	158	215	06.11-04.15	■	

LISTA DE APLICACIONES - BUYERS GUIDE

V60 (155) 09.13-12.15					Estate Van (Compact executive car-D Segment)			
1.6 DRIVe (D 4162 T)	Rim 16	Diesel	FWD	1560	84	114	09.13-12.15	■
2.0 D3 (D 5204 T7)	Rim 16	Diesel	FWD	1984	100	136	09.13-12.15	■
2.0 D4 (D 5204 T3)	Rim 16	Diesel	FWD	1984	120	163	09.13-12.15	■
2.4 D4 AWD	Rim 16	Diesel	4WD	2400	133	181	09.13-12.15	■
2.4 D5 (D 5244 T15)	Rim 16	Diesel	FWD	2400	158	215	09.13-12.15	■
V60 (155) 07.10-					Estate (Compact executive car-D Segment)			
T2 (B 4154 T5)	Rim 16	Gasolina	FWD	1498	90	122	10.15-03.17	■
T3 (B 4154 T4)	Rim 16	Gasolina	FWD	1498	112	152	03.15-05.18	■
T3 (B 4164 T3)	Rim 16	Gasolina	FWD	1596	110	150	09.10-12.15	■
T4 (B 4164 T)	Rim 16	Gasolina	FWD	1596	132	180	09.10-12.15	■
T3 (B 4204 T37)	Rim 16	Gasolina	FWD	1969	112	152	03.15-05.18	■
T4 (B 4204 T19)	Rim 16	Gasolina	FWD	1969	140	190	03.15-05.18	■
T5 (B 4204 T15)	Rim 16	Gasolina	FWD	1969	162	220	01.14-12.17	■
T5 (B 4204 T11)	Rim 16	Gasolina	FWD	1969	180	245	10.13-12.18	■
T5 (B 4204 T41)	Rim 16	Gasolina	FWD	1969	180	245	10.13-12.18	■
T5		Gasolina	FWD	1969	180	245	03.15-05.18	■
T5 AWD (B 4204 T11)		Gasolina	4WD	1969	180	245	07.14-05.18	■
T5 AWD		Gasolina	4WD	1969	180	245	06.16-05.18	■
T5 Drive-E Polestar		Gasolina	FWD	1969	186	253	03.15-07.18	■
T5 Drive-E Polestar AWD (B 4204 T11)		Gasolina	4WD	1969	186	253	03.15-07.18	■
T6 (B 4204 T9)	Rim 16	Gasolina	FWD	1969	225	306	10.13-12.18	■
T6 AWD (B 4204 T9)	Rim 16	Gasolina	4WD	1969	225	306	10.13-12.18	■
2.0 Polestar AWD (B 4204 T43)		Gasolina	4WD	1969	270	367	06.15-05.18	■
2.0 T (B 5204 T8)	Rim 16	Gasolina	FWD	1984	132	180	01.14-07.18	■
T5 (B 5204 T9)	Rim 16	Gasolina	FWD	1984	157	214	10.13-05.18	■
2.0 T (B 4204 T6)	Rim 16	Gasolina	FWD	1999	149	203	07.10-12.12	■
T5 (B 4204 T7)	Rim 16	Gasolina	FWD	1999	176	240	08.12-07.14	■
T5 (B 4204 T7)	Rim 16	Gasolina	FWD	1999	177	241	09.10-12.14	■
T5 AWD (B 5254 T14)	Rim 16	Gasolina	4WD	2497	183	249	03.15-05.18	■
T5 AWD (B 5254 T12)	Rim 16	Gasolina	4WD	2497	187	254	04.15-05.18	■
T5 AWD		Gasolina	4WD	2497	187	254	03.15-05.18	■
T6 (B 6304 T4)		Gasolina	FWD	2953	224	305	07.14-04.15	■
T6 AWD (B 6304 T4)	Rim 16	Gasolina	4WD	2953	224	305	07.10-12.15	■
T6 AWD (B 6304 T3)	Rim 16	Gasolina	4WD	2953	242	329	04.14-12.15	■
T6 AWD (B 6304 T4)	Rim 16	Gasolina	4WD	2953	242	329	04.14-12.15	■
3.0 T AWD (B 6304 T5)	Rim 16	Gasolina	4WD	2953	258	351	04.14-05.18	■
2.0 BiFuel (B 5204 T9)	Rim 16	Gasol./Gas (LPG)	FWD	1984	157	213	03.14-12.15	■
T4F (B 4164 T2)	Rim 16	Gasol./Etanol	FWD	1596	132	180	04.11-12.15	■
2.4 D6 Plug in Hybrid AWD	Rim 16	Diesel/eléc.	4WD	2400	158	215	06.12-12.15	■
D5 Hybrid AWD (D87PHEV)	Rim 16	Diesel/eléc.	4WD	2400	169	230	03.15-05.18	■
D6 Hybrid AWD (D82PHEV)	-ch 54071, Rim 16	Diesel/eléc.	4WD	2400	206	280	06.12-12.15	■
D6 Hybrid AWD (D97PHEV)	Rim 16	Diesel/eléc.	4WD	2400	206	280	03.15-05.18	■
1.6 DRIVe (D 4162 T)	Rim 16	Diesel	FWD	1560	84	114	02.11-12.15	■
1.6 DRIVe	Rim 16	Diesel	RWD	1595	85	115	07.10-	■
D2 (D 4204 T20)	Rim 16	Diesel	FWD	1969	88	120	03.15-05.18	■
D2 (D 4204 T8)	Rim 16	Diesel	FWD	1969	88	120	03.15-05.18	■
D2		Diesel	FWD	1969	88	120	03.15-05.18	■

LISTA DE APLICACIONES - BUYERS GUIDE

D3 (D 4204 T4)	Rim 16	Diesel	FWD	1969	110	150	03.15-05.18	■
D3 (D 4204 T9)	Rim 16	Diesel	FWD	1969	110	150	03.15-05.18	■
D3		Diesel	FWD	1969	110	150	03.15-05.18	■
D4 (D 4204 T5)	Rim 16	Diesel	FWD	1969	133	181	10.13-12.15	■
D4 (D 4204 T14)	Rim 16	Diesel	FWD	1969	140	190	03.15-05.18	■
D4		Diesel	FWD	1969	140	190	03.15-05.18	■
D4 Drive-E Polestar (D 4204 T14)		Diesel	FWD	1969	147	200	03.15-05.18	■
D5 (D 4204 T11)	Rim 16	Diesel	FWD	1969	165	224	03.15-05.18	■
D5		Diesel	FWD	1969	165	224	03.15-05.18	■
D3 (D 5204 T7)	Rim 16	Diesel	FWD	1984	100	136	05.12-12.15	■
D3 / D4 (D 5204 T2)	Rim 16	Diesel	FWD	1984	120	163	07.10-12.14	■
D3 / D4 (D 5204 T3)	Rim 16	Diesel	FWD	1984	120	163	07.10-12.14	■
D4 AWD (D 5244 T17)	Rim 16	Diesel	4WD	2400	120	163	05.12-12.15	■
D4 AWD (D 5244 T12)	Rim 16	Diesel	4WD	2400	133	181	10.13-12.15	■
D4 AWD (D 5244 T21)	Rim 16	Diesel	4WD	2400	140	190	03.15-05.18	■
D4 AWD		Diesel	4WD	2400	140	190	03.15-05.18	■
D4 Polestar AWD (D 5244 T21)		Diesel	4WD	2400	147	200	03.15-05.18	■
D5 (D 5244 T10)	Rim 16	Diesel	FWD	2400	151	205	07.10-12.11	■
D5 AWD (D 5244 T10)	Rim 16	Diesel	4WD	2400	151	205	07.10-12.11	■
D5 (D 5244 T11)	Rim 16	Diesel	FWD	2400	158	215	04.11-12.15	■
D5 (D 5244 T15)	Rim 16	Diesel	FWD	2400	158	215	04.11-12.15	■
D5 AWD (D 5244 T15)	Rim 16	Diesel	4WD	2400	158	215	04.11-12.15	■
D4 Polestar AWD (D 5244 T21)		Diesel	4WD	2400	162	220	03.15-05.18	■
D5 (D 5244 T23)	Rim 16	Diesel	FWD	2400	169	230	04.14-12.15	■
D5 AWD (D 5244 T15)	Rim 16	Diesel	4WD	2400	169	230	04.14-12.15	■
V70 III (135) 09.13-							Estate Van (Executive car-E Segment)	
2.0 D3 DRIVe (D 5204 T7)		Diesel	FWD	1984	100	136	09.13-12.15	■
2.4 D4	Rim 16	Diesel	FWD	2400	120	163	09.13-	■
2.4 D4 AWD	Rim 16	Diesel	4WD	2400	120	163	09.13-12.15	■
2.4 D5 (D 5244 T11)	Rim 16	Diesel	FWD	2400	158	215	09.13-12.15	■
2.4 D5 (D 5244 T15)	Rim 16	Diesel	FWD	2400	158	215	09.13-12.15	■
V70 III (135) 04.07-							Estate (Executive car-E Segment)	
T4 (B 4164 T)		Gasolina	FWD	1596	132	180	10.10-12.15	■
T5 (B 4204 T11)		Gasolina	FWD	1969	180	245	10.13-04.16	■
2.0 (B 4204 S3)	Rim 16	Gasolina	FWD	1999	107	145	10.07-12.11	■
2.0 T (B 4204 T6)	Rim 16	Gasolina	FWD	1999	149	203	09.09-12.11	■
T5 (B 4204 T7)		Gasolina	FWD	1999	177	241	01.10-12.14	■
2.5 T (B 5254 T6)	Rim 16	Gasolina	FWD	2521	147	200	08.07-12.09	■
2.5 T (B 5254 T10)	Rim 16	Gasolina	FWD	2521	170	231	04.09-12.12	■
T6 AWD (B 6304 T2)	Rim 16	Gasolina	4WD	2953	210	286	08.07-12.10	■
T6 AWD (B 6304 T4)		Gasolina	4WD	2953	224	305	01.10-12.15	■
T6 AWD (B 6304 T4)		Gasolina	4WD	2953	242	329	11.13-04.16	■
3.2 (B 6324 S)	Rim 16	Gasolina	FWD	3192	175	238	08.07-12.10	■
3.2 AWD (B 6324 S)	Rim 16	Gasolina	4WD	3192	175	238	04.07-12.10	■
3.2 (B 6324 S5)	Rim 16	Gasolina	FWD	3192	179	243	04.10-12.14	■
3.2 AWD (B 6324 S5)	Rim 16	Gasolina	4WD	3192	179	243	04.10-12.15	■
2.0 BiFuel (B 5204 T9)		Gasol./Gas (LPG)	FWD	1984	157	214	03.13-12.15	■
T4F (B 4164 T2)	Rim 16	Gasol./Etanol	FWD	1596	132	180	01.11-12.15	■
2.0 FlexiFuel (B 4204 S4)	Rim 16	Gasol./Etanol	FWD	1999	107	146	01.08-12.11	■

LISTA DE APLICACIONES - BUYERS GUIDE

2.5 T FlexiFuel (B 5254 T8)	Rim 16	Gasol./Etanol	FWD	2521	147	200	05.08-12.09	■	
2.5 T FlexiFuel (B 5254 T11)	Rim 16	Gasol./Etanol	FWD	2521	170	231	04.09-12.11	■	
1.6 D (D 4164 T)		Diesel	FWD	1560	80	109	07.09-12.11	■	
1.6 DRIVe / D2 (D 4162 T)	Rim 16	Diesel	FWD	1560	84	114	04.11-12.15	■	
D4 (D 4204 T5)		Diesel	FWD	1969	133	181	10.13-04.16	■	
D3 (D 5204 T7)		Diesel	FWD	1984	100	136	10.07-12.15	■	
D3 / D4 (D 5204 T2)	Rim 16	Diesel	FWD	1984	120	163	03.10-12.15	■	
D3 / D4 (D 5204 T3)	Rim 16	Diesel	FWD	1984	120	163	03.10-12.15	■	
D4	Rim 16	Diesel	RWD	1984	120	163	01.13-	■	
2.0 D (D 4204 T)	-12/10, Rim 16	Diesel	FWD	1998	100	136	10.07-12.15	■	
2.4 D (D 5244 T19)	Rim 16	Diesel	FWD	2400	120	163	04.07-12.10	■	
2.4 D (D 5244 T5)	Rim 16	Diesel	FWD	2400	120	163	04.07-12.10	■	
D4 AWD (D 5244 T17)		Diesel	4WD	2400	120	163	10.07-12.15	■	
2.4 D (D 5244 T14)	Rim 16	Diesel	FWD	2400	129	175	04.09-12.10	■	
D4 AWD (D 5244 T12)		Diesel	4WD	2400	133	181	10.13-04.16	■	
D5 (D 5244 T4)	Rim 16	Diesel	FWD	2400	136	185	04.07-12.09	■	
D5 (D 5244 T10)	Rim 16	Diesel	FWD	2400	151	205	10.08-12.11	■	
D5 AWD (D 5244 T10)	Rim 16	Diesel	4WD	2400	151	205	12.09-12.11	■	
D5 (D 5244 T11)	Rim 16	Diesel	FWD	2400	158	215	04.11-12.15	■	
D5 (D 5244 T15)	Rim 16	Diesel	FWD	2400	158	215	04.11-12.15	■	
D5 AWD (D 5244 T15)	Rim 16	Diesel	4WD	2400	158	215	04.11-12.15	■	
D5	Rim 16	Diesel	FWD	2400	169	230	03.11-04.16	■	
D5 AWD	Rim 16	Diesel	4WD	2400	169	230	03.11-04.16	■	
D5 AWD (D 5244 T4)	Rim 16	Diesel	4WD	2401	136	185	04.07-12.09	■	
XC70 III (136) 04.07-							Estate (Executive car-E Segment)		
T5 (B 4204 T11)		Gasolina	FWD	1969	180	245	10.13-12.16	■	
T6 AWD (B 5254 T14)		Gasolina	4WD	2497	183	249	03.15-12.16	■	
T5 AWD (B 5254 T12)		Gasolina	4WD	2497	187	254	08.15-12.16	■	
T6 AWD (B 6304 T2)	Rim 16	Gasolina	4WD	2953	210	286	01.08-12.16	■	
T6 AWD (B 6304 T4)	Rim 16	Gasolina	4WD	2953	224	304	01.10-04.15	■	
T6 Polestar AWD		Gasolina	4WD	2953	242	329	11.13-12.16	■	
3.2	Rim 16	Gasolina	FWD	3192	171	233	09.10-12.12	■	
3.2 AWD (B 6324 S)	Rim 16	Gasolina	4WD	3192	175	238	08.07-12.11	■	
3.2		Gasolina	FWD	3192	179	243	08.07-	■	
3.2 AWD (B 6324 S5)		Gasolina	4WD	3192	179	243	05.10-12.14	■	
D4 (D 4204 T5)	Rim 16	Diesel	FWD	1969	133	181	10.13-04.16	■	
D3 (D 5204 T2)	Rim 16	Diesel	FWD	1984	120	163	04.10-12.15	■	
D3 (D 5204 T3)	Rim 16	Diesel	FWD	1984	120	163	04.10-12.15	■	
D3	Rim 16	Diesel	RWD	1984	120	163	08.11-	■	
2.4 D / D4 AWD (D 5244 T16)	Rim 16	Diesel	4WD	2400	120	163	08.07-04.16	■	
2.4 D / D4 AWD (D 5244 T17)	Rim 16	Diesel	4WD	2400	120	163	08.07-04.16	■	
2.4 D / D4 AWD (D 5244 T5)	Rim 16	Diesel	4WD	2400	120	163	08.07-04.16	■	
2.4 D (D 5244 T14)	Rim 16	Diesel	FWD	2400	129	175	06.09-12.10	■	
D4 AWD (D 5244 T12)	Rim 16	Diesel	4WD	2400	133	181	10.13-04.16	■	
D5 AWD (D 5244 T4)	Rim 16	Diesel	4WD	2400	136	185	04.07-12.09	■	
D5 AWD (D 5244 T10)	Rim 16	Diesel	4WD	2400	151	205	04.09-12.11	■	
D5 AWD (D 5244 T11)	Rim 16	Diesel	4WD	2400	158	215	04.11-12.15	■	
D5 AWD (D 5244 T15)	Rim 16	Diesel	4WD	2400	158	215	04.11-12.15	■	
D5 AWD (D 5244 T15)		Diesel	4WD	2400	169	230	11.13-04.16	■	

LISTA DE APLICACIONES - BUYERS GUIDE

XC70 III VAN (136) 04.07-12.16					Estate Van (Executive car-E Segment)			
2.0 D4	Diesel	FWD	1984	120	163	09.13-12.16	■	
2.4 D4 AWD	Diesel	4WD	2400	120	163	09.13-04.16	■	
2.4 D5 AWD	Diesel	4WD	2400	158	215	09.13-12.16	■	
VOLVO ASIA								
S60L 06.14-					Saloon (Compact executive car-D Segment)			
1.5 T3	Gasolina	FWD	1498	112	152	06.15-12.19	■	
2.0 T4	Gasolina	FWD	1969	140	190	06.15-12.19	■	
2.0 T5	Gasolina	FWD	1969	180	245	06.15-12.19	■	
2.0 T	Gasolina	FWD	1984	132	180	06.14-12.19	■	
2.0 T5	Gasolina	FWD	1984	157	214	06.14-12.15	■	