

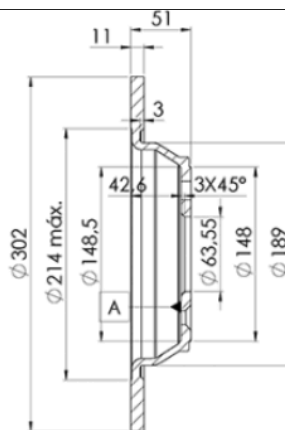
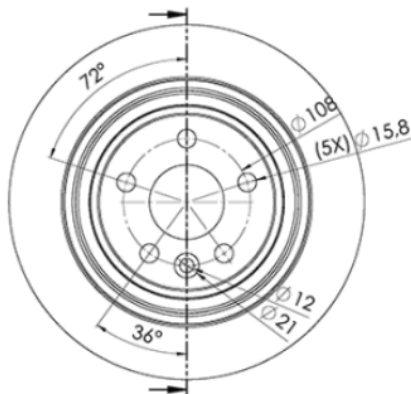
# LISTA DE APLICACIONES - BUYERS GUIDE

## 78BD6769-2



Weight: 10.760

O.E.M.	MAKE
1 379 931	FORD
1 385 590	FORD
1 405 500	VOLVO
1 864 280	FORD
6G91-2A315-BA	FORD
LR-027123	LAND ROVER



## 78BD6769-2

**E1** 90R-02C0415/0040



Ø302x11x51

MAKE
FORD
LAND ROVER
VOLVO



Trac.	CC	Kw	CV
-------	----	----	----



Front / Rear

### FORD

							Hatchback (Compact car-C Segment)	
<b>FOCUS II (DA_, HCP, DP) 07.04-09.13</b>								
2.5 RS (JZDA)		Gasolina	FWD	2521	224	305	01.09-07.11	■
2.5 RS 500 (JZDA)		Gasolina	FWD	2521	257	350	05.10-07.11	■
							Box Body/MPV (Large MPV-M1 Segment)	
<b>GALAXY II (WA6) 05.06-06.15</b>								
EcoBoost		Gasolina	FWD	1596	118	160	02.11-06.15	■
2.0		Gasolina	FWD	1999	107	145	05.06-06.15	■
2.0 EcoBoost		Gasolina	FWD	1999	149	203	03.10-06.15	■
TDCi		Diesel	FWD	1560	85	116	03.13-06.15	■
TDCi		Diesel	FWD	1997	85	116	01.07-06.15	■
TDCi		Diesel	FWD	1997	96	131	11.06-06.15	■
TDCi		Diesel	FWD	1997	103	140	05.06-06.15	■
TDCi		Diesel	FWD	1997	120	163	03.10-06.15	■
TDCi		Diesel	FWD	2179	147	200	03.13-06.15	■
							MPV (Large MPV-M1 Segment)	
<b>GALAXY II (WA6) 05.06-06.15</b>								
1.6 EcoBoost (JTWA)		Gasolina	FWD	1596	118	160	11.10-06.15	■
1.6 EcoBoost (JTWB)		Gasolina	FWD	1596	118	160	11.10-06.15	■
2.0 (AOWA)		Gasolina	FWD	1999	107	145	05.06-06.15	■
2.0 (AOWB)		Gasolina	FWD	1999	107	145	05.06-06.15	■
2.0 (TBWA)		Gasolina	FWD	1999	107	145	05.06-06.15	■
2.0 (TBWB)		Gasolina	FWD	1999	107	145	05.06-06.15	■
2.0 EcoBoost (TNWB)		Gasolina	FWD	1999	146	199	07.10-06.15	■
2.0 EcoBoost (TNWA)		Gasolina	FWD	1999	149	203	03.10-06.15	■
2.3 (SEWA)		Gasolina	FWD	2261	118	160	09.07-06.15	■

# LISTA DE APLICACIONES - BUYERS GUIDE

2.0 FlexiFuel (TBWA)		Gasol./Etanol	FWD	1999	107	145	05.06-06.15	■	
2.0 FlexiFuel (TBWB)		Gasol./Etanol	FWD	1999	107	145	05.06-06.15	■	
1.6 TDCi (T1WA)		Diesel	FWD	1560	85	115	02.11-06.15	■	
1.6 TDCi (T1WB)		Diesel	FWD	1560	85	115	02.11-06.15	■	
1.8 TDCi (FFWA)		Diesel	FWD	1753	74	100	05.06-06.15	■	
1.8 TDCi (QYWA)		Diesel	FWD	1753	92	125	05.06-06.15	■	
2.0 TDCi (KLWA)		Diesel	FWD	1997	85	115	11.07-06.15	■	
2.0 TDCi (TYWA)		Diesel	FWD	1997	85	115	11.07-06.15	■	
2.0 TDCi (AZWA)		Diesel	FWD	1997	96	130	05.06-06.15	■	
2.0 TDCi (AZWC)		Diesel	FWD	1997	100	136	05.06-06.15	■	
2.0 TDCi (UKWA)		Diesel	FWD	1997	100	136	05.06-06.15	■	
2.0 TDCi (QXWA)		Diesel	FWD	1997	103	140	05.06-06.15	■	
2.0 TDCi (QXWB)		Diesel	FWD	1997	103	140	05.06-06.15	■	
2.0 TDCi (QXWC)		Diesel	FWD	1997	103	140	05.06-06.15	■	
2.0 TDCi (UFWA)		Diesel	FWD	1997	103	140	05.06-06.15	■	
2.0 TDCi (TXWA)		Diesel	FWD	1997	120	163	03.10-06.15	■	
2.2 TDCi (Q4WA)		Diesel	FWD	2179	129	175	03.08-12.12	■	
2.2 TDCi (KNWA)		Diesel	FWD	2179	147	200	11.10-06.15	■	
<b>GALAXY III (CK) 01.15-</b>							<b>MPV (Large MPV-M1 Segment)</b>		
1.5 EcoBoost (UNCJ)		Gasolina	FWD	1499	118	160	01.15-06.18	■	
1.5 EcoBoost (UNCK)		Gasolina	FWD	1499	118	160	01.15-06.18	■	
1.5 EcoBoost		Gasolina	FWD	1499	121	165	07.18-04.23	■	
2.0 EcoBoost (R9CD)		Gasolina	FWD	1999	176	240	01.15-04.23	■	
2.0 EcoBoost (R9CI)		Gasolina	FWD	1999	176	240	01.15-04.23	■	
2.5 FHEV		Gasol./eléc.	FWD	2488	140	190	07.21-04.23	■	
2.0 EcoBlue (YNCA)		Diesel	FWD	1995	88	120	07.18-04.23	■	
2.0 EcoBlue (YMCB)		Diesel	FWD	1995	110	150	07.18-04.23	■	
2.0 EcoBlue 4x4 (YMCB)		Diesel	4WD	1995	110	150	07.18-04.23	■	
2.0 EcoBlue (BCCC)		Diesel	FWD	1995	140	190	07.18-04.23	■	
2.0 EcoBlue 4x4 (BCCC)		Diesel	4WD	1995	140	190	07.18-04.23	■	
2.0 EcoBlue Bi-Turbo (YLCB)		Diesel	FWD	1995	176	240	07.18-04.23	■	
2.0 TDCi (UFCA)		Diesel	FWD	1997	88	120	01.15-06.18	■	
2.0 TDCi (UFCB)		Diesel	FWD	1997	88	120	01.15-06.18	■	
2.0 TDCi (T7CI)		Diesel	FWD	1997	110	150	01.15-06.18	■	
2.0 TDCi (T7CJ)		Diesel	FWD	1997	110	150	01.15-06.18	■	
2.0 TDCi (T7CK)		Diesel	FWD	1997	110	150	01.15-06.18	■	
2.0 TDCi (T7CL)		Diesel	FWD	1997	110	150	01.15-06.18	■	
2.0 TDCi 4x4 (T7CI)		Diesel	4WD	1997	110	150	05.15-06.18	■	
2.0 TDCi 4x4 (T7CJ)		Diesel	4WD	1997	110	150	05.15-06.18	■	
2.0 TDCi 4x4 (T7CL)		Diesel	4WD	1997	110	150	05.15-06.18	■	
2.0 TDCi (T8CG)		Diesel	FWD	1997	132	180	01.15-06.18	■	
2.0 TDCi (T8CH)		Diesel	FWD	1997	132	180	01.15-06.18	■	
2.0 TDCi (T8CI)		Diesel	FWD	1997	132	180	01.15-06.18	■	
2.0 TDCi (T8CJ)		Diesel	FWD	1997	132	180	01.15-06.18	■	
2.0 TDCi 4x4 (T8CG)		Diesel	4WD	1997	132	180	05.15-06.18	■	
2.0 TDCi 4x4 (T8CH)		Diesel	4WD	1997	132	180	05.15-06.18	■	
2.0 TDCi 4x4 (T8CI)		Diesel	4WD	1997	132	180	05.15-06.18	■	
2.0 TDCi 4x4 (T8CJ)		Diesel	4WD	1997	132	180	05.15-06.18	■	
2.0 TDCi Bi-Turbo (T9CB)		Diesel	FWD	1997	154	210	01.15-06.18	■	
2.0 TDCi Bi-Turbo (T9CC)		Diesel	FWD	1997	154	210	01.15-06.18	■	

# LISTA DE APLICACIONES - BUYERS GUIDE

					<b>Box Body/MPV (Large MPV-M1 Segment)</b>				
<b>GALAXY III Van (CK) 03.19-</b>									
2.0 EcoBlue (YMCB)		Diesel	FWD	1995	110	150	03.19-04.23	■	
2.0 EcoBlue AWD (BCCC)		Diesel	4WD	1995	140	190	03.19-04.23	■	
<b>KUGA 02.08-11.12</b>					<b>SUV Van (Compact SUV-J Segment)</b>				
2.5		Gasolina	4WD	2521	147	200	02.08-11.12	■	
TDCi		Diesel	FWD	1997	103	140	03.10-11.12	■	
TDCi 4x4		Diesel	4WD	1997	103	140	03.10-11.12	■	
TDCi 4x4		Diesel	4WD	1997	120	163	03.10-11.12	■	
<b>KUGA 02.08-11.12</b>					<b>SUV (Compact SUV-J Segment)</b>				
2.5 (HYDB)		Gasolina	FWD	2522	147	200	03.09-11.12	■	
2.5 (HYDC)		Gasolina	FWD	2522	147	200	03.09-11.12	■	
2.5 4x4 (HYDB)		Gasolina	4WD	2522	147	200	02.08-11.12	■	
2.5 4x4 (HYDC)		Gasolina	4WD	2522	147	200	02.08-11.12	■	
2.0 TDCi (G6DG)		Diesel	FWD	1997	100	136	03.08-11.12	■	
2.0 TDCi (UKDA)		Diesel	FWD	1997	100	136	03.08-11.12	■	
2.0 TDCi 4x4 (G6DG)		Diesel	4WD	1997	100	136	03.08-11.12	■	
2.0 TDCi 4x4 (UKDA)		Diesel	4WD	1997	100	136	03.08-11.12	■	
2.0 TDCi (UFDA)		Diesel	FWD	1997	103	140	03.10-11.12	■	
2.0 TDCi 4x4 (UFDA)		Diesel	4WD	1997	103	140	03.10-11.12	■	
2.0 TDCi 4x4 (TXDA)		Diesel	4WD	1997	120	163	03.10-11.12	■	
<b>MONDEO IV 03.07-01.15</b>					<b>Estate Van (Large family car-D Segment)</b>				
1.6 EcoBoost (JTBA)		Gasolina	FWD	1596	118	160	11.10-09.14	■	
2.0 (AOBC)		Gasolina	FWD	1999	107	145	03.07-09.14	■	
2.0 EcoBoost (TNBA)		Gasolina	FWD	1999	149	203	03.10-09.14	■	
2.0 EcoBoost (TPBA)		Gasolina	FWD	1999	176	239	03.10-09.14	■	
1.6 TDCi (T1BA)		Diesel	FWD	1560	85	116	03.13-09.14	■	
1.6 TDCi (T1BB)		Diesel	FWD	1560	85	116	03.13-09.14	■	
1.6 TDCi (T1BC)		Diesel	FWD	1560	85	116	03.13-09.14	■	
2.0 TDCi (KLBA)		Diesel	FWD	1997	85	116	11.07-09.14	■	
2.0 TDCi (QXBB)		Diesel	FWD	1997	103	140	03.07-09.14	■	
2.0 TDCi (UFBA)		Diesel	FWD	1997	103	140	03.07-09.14	■	
2.0 TDCi (UFBB)		Diesel	FWD	1997	103	140	03.07-09.14	■	
2.0 TDCi (TXBA)		Diesel	FWD	1997	120	163	03.10-09.14	■	
2.2 TDCi (KNBA)		Diesel	FWD	2179	147	200	03.13-09.14	■	
<b>MONDEO IV (BA7) 03.07-01.15</b>					<b>Hatchback (Large family car-D Segment)</b>				
1.6 Ti (RHBA)		Gasolina	FWD	1596	81	110	03.07-01.15	■	
1.6 Ti (KGBA)		Gasolina	FWD	1596	88	120	07.10-01.15	■	
1.6 Ti (PNBA)		Gasolina	FWD	1596	92	125	03.07-01.15	■	
1.6 EcoBoost (JTBA)		Gasolina	FWD	1596	118	160	02.11-01.15	■	
1.6 EcoBoost (JTBB)		Gasolina	FWD	1596	118	160	02.11-01.15	■	
2.0 (AOBA)		Gasolina	FWD	1999	107	145	03.07-01.15	■	
2.0 (AOBC)		Gasolina	FWD	1999	107	145	03.07-01.15	■	
2.0 (TBBA)		Gasolina	FWD	1999	107	145	03.07-01.15	■	
2.0 (TBBB)		Gasolina	FWD	1999	107	145	03.07-01.15	■	
2.0 SCTi (TNBA)		Gasolina	FWD	1999	149	203	03.10-01.15	■	
2.0 EcoBoost (TPBA)		Gasolina	FWD	1999	176	240	07.10-01.15	■	
2.3 (SEBA)		Gasolina	FWD	2261	118	160	07.07-01.15	■	
2.5 (HUBA)		Gasolina	FWD	2521	162	220	03.07-01.15	■	

# LISTA DE APLICACIONES - BUYERS GUIDE

2.0 LPG (TBBA)		Gasol./Gas (LPG)	FWD	1999	107	145	07.09-01.15	■
2.0 FlexiFuel (TBBA)		Gasol./Etanol	FWD	1999	107	145	03.09-01.15	■
2.0 FlexiFuel (TBBB)		Gasol./Etanol	FWD	1999	107	145	03.09-01.15	■
1.6 TDCi (T1BA)		Diesel	FWD	1560	85	115	02.11-01.15	■
1.6 TDCi (T1BB)		Diesel	FWD	1560	85	115	02.11-01.15	■
1.6 TDCi (T1BC)		Diesel	FWD	1560	85	115	02.11-01.15	■
1.8 TDCi (FFBA)		Diesel	FWD	1753	74	100	03.07-01.15	■
1.8 TDCi (KHBA)		Diesel	FWD	1753	92	125	06.07-01.15	■
1.8 TDCi (QYBA)		Diesel	FWD	1753	92	125	06.07-01.15	■
2.0 TDCi (KLBA)		Diesel	FWD	1997	85	115	11.07-01.15	■
2.0 TDCi (LPBA)		Diesel	FWD	1997	85	115	11.07-01.15	■
2.0 TDCi (TYBA)		Diesel	FWD	1997	85	115	11.07-01.15	■
2.0 TDCi (AZBA)		Diesel	FWD	1997	96	130	03.07-01.15	■
2.0 TDCi (AZBC)		Diesel	FWD	1997	100	136	03.07-12.14	■
2.0 TDCi (UKBA)		Diesel	FWD	1997	100	136	03.07-12.14	■
2.0 TDCi (UKBB)		Diesel	FWD	1997	100	136	03.07-12.14	■
2.0 TDCi (QXBA)		Diesel	FWD	1997	103	140	03.07-01.15	■
2.0 TDCi (QXBB)		Diesel	FWD	1997	103	140	03.07-01.15	■
2.0 TDCi (UFBA)		Diesel	FWD	1997	103	140	03.07-01.15	■
2.0 TDCi (UFBB)		Diesel	FWD	1997	103	140	03.07-01.15	■
2.0 TDCi (TXBA)		Diesel	FWD	1997	120	163	03.10-01.15	■
2.0 TDCi (TXBB)		Diesel	FWD	1997	120	163	03.10-01.15	■
2.2 TDCi (Q4BA)		Diesel	FWD	2179	129	175	03.08-10.10	■
2.2 TDCi (KNBA)		Diesel	FWD	2179	147	200	07.10-01.15	■
<b>MONDEO IV (BA7) 03.07-01.15</b>							<b>Saloon (Large family car-D Segment)</b>	
1.6 Ti (RHBA)		Gasolina	FWD	1596	81	110	03.07-01.15	■
1.6 Ti (KGBA)		Gasolina	FWD	1596	88	120	03.10-01.15	■
1.6 Ti (PNBA)		Gasolina	FWD	1596	92	125	03.07-01.15	■
1.6 EcoBoost (JTBA)		Gasolina	FWD	1596	118	160	11.10-01.15	■
1.6 EcoBoost (JTBB)		Gasolina	FWD	1596	118	160	11.10-01.15	■
2.0 (AOBA)		Gasolina	FWD	1999	107	145	03.07-01.15	■
2.0 (AOBC)		Gasolina	FWD	1999	107	145	03.07-01.15	■
2.0 (TBBA)		Gasolina	FWD	1999	107	145	03.07-01.15	■
2.0 (TBBB)		Gasolina	FWD	1999	107	145	03.07-01.15	■
2.0 SCTi		Gasolina	FWD	1999	149	203	03.10-01.15	■
2.0 EcoBoost (TPBA)		Gasolina	FWD	1999	176	240	03.10-09.14	■
2.3 (SEBA)		Gasolina	FWD	2261	118	160	07.07-01.15	■
2.5 (HUBA)		Gasolina	FWD	2521	162	220	03.07-01.15	■
2.0 LPG (TBBA)		Gasol./Gas (LPG)	FWD	1999	107	145	07.09-01.15	■
2.0 FlexiFuel (TBBA)		Gasol./Etanol	FWD	1999	107	145	03.09-01.15	■
2.0 FlexiFuel (TBBB)		Gasol./Etanol	FWD	1999	107	145	03.09-01.15	■
1.6 TDCi (T1BA)	02/11-	Diesel	FWD	1560	85	115	12.10-01.15	■
1.6 TDCi (T1BB)	02/11-	Diesel	FWD	1560	85	115	12.10-01.15	■
1.6 TDCi (T1BC)	02/11-	Diesel	FWD	1560	85	115	12.10-01.15	■
1.8 TDCi (FFBA)		Diesel	FWD	1753	74	100	03.07-01.15	■
1.8 TDCi (KHBA)		Diesel	FWD	1753	92	125	06.07-01.15	■
1.8 TDCi (QYBA)		Diesel	FWD	1753	92	125	06.07-01.15	■
2.0 TDCi (KLBA)		Diesel	FWD	1997	85	115	11.07-01.15	■

# LISTA DE APLICACIONES - BUYERS GUIDE

2.0 TDCi (LPBA)		Diesel	FWD	1997	85	115	11.07-01.15	■
2.0 TDCi (TYBA)		Diesel	FWD	1997	85	115	11.07-01.15	■
2.0 TDCi (AZBA)		Diesel	FWD	1997	96	130	03.07-01.15	■
2.0 TDCi (AZBC)		Diesel	FWD	1997	100	136	08.08-12.14	■
2.0 TDCi (UKBA)		Diesel	FWD	1997	100	136	08.08-12.14	■
2.0 TDCi (UKBB)		Diesel	FWD	1997	100	136	08.08-12.14	■
2.0 TDCi (QXBA)		Diesel	FWD	1997	103	140	03.07-01.15	■
2.0 TDCi (QXBB)		Diesel	FWD	1997	103	140	03.07-01.15	■
2.0 TDCi (UFBA)		Diesel	FWD	1997	103	140	03.07-01.15	■
2.0 TDCi (UFBB)		Diesel	FWD	1997	103	140	03.07-01.15	■
2.0 TDCi (TXBA)		Diesel	FWD	1997	120	163	03.10-01.15	■
2.0 TDCi (TXBB)		Diesel	FWD	1997	120	163	03.10-01.15	■
2.2 TDCi (Q4BA)		Diesel	FWD	2179	129	175	03.08-10.10	■
2.2 TDCi (KNBA)		Diesel	FWD	2179	147	200	10.10-01.15	■
<b>MONDEO IV Turnier (BA7) 03.07-01.15</b>					<b>Estate (Large family car-D Segment)</b>			
1.6 Ti (RHBA)		Gasolina	FWD	1596	81	110	03.07-12.12	■
1.6 Ti (KGBA)		Gasolina	FWD	1596	88	120	07.10-01.15	■
1.6 Ti (PNBA)		Gasolina	FWD	1596	92	125	03.07-12.10	■
1.6 EcoBoost (JTBA)		Gasolina	FWD	1596	118	160	02.11-01.15	■
1.6 EcoBoost (JTBB)		Gasolina	FWD	1596	118	160	02.11-01.15	■
2.0 (AOBA)		Gasolina	FWD	1999	107	145	03.07-01.15	■
2.0 (AOBC)		Gasolina	FWD	1999	107	145	03.07-01.15	■
2.0 (TBBA)		Gasolina	FWD	1999	107	145	03.07-01.15	■
2.0 (TBBB)		Gasolina	FWD	1999	107	145	03.07-01.15	■
2.0 SCTi (TNBA)		Gasolina	FWD	1999	149	203	03.10-01.15	■
2.0 EcoBoost (TPBA)		Gasolina	FWD	1999	176	240	07.10-01.15	■
2.3 (SEBA)		Gasolina	FWD	2261	118	160	07.07-01.15	■
2.5 (HUBA)		Gasolina	FWD	2521	162	220	03.07-12.12	■
2.0 LPG (TBBA)		Gasol./Gas (LPG)	FWD	1999	107	145	07.09-01.15	■
2.0 FlexiFuel (TBBA)		Gasol./Etanol	FWD	1999	107	145	03.09-01.15	■
2.0 FlexiFuel (TBBB)		Gasol./Etanol	FWD	1999	107	145	03.09-01.15	■
1.6 TDCi (T1BA)		Diesel	FWD	1560	85	115	02.11-01.15	■
1.6 TDCi (T1BB)		Diesel	FWD	1560	85	115	02.11-01.15	■
1.6 TDCi (T1BC)		Diesel	FWD	1560	85	115	02.11-01.15	■
1.8 TDCi (FFBA)		Diesel	FWD	1753	74	100	03.07-12.12	■
1.8 TDCi (KHBA)		Diesel	FWD	1753	92	125	06.07-12.12	■
1.8 TDCi (QYBA)		Diesel	FWD	1753	92	125	06.07-12.12	■
2.0 TDCi (KLBA)		Diesel	FWD	1997	85	115	11.07-01.15	■
2.0 TDCi (LPBA)		Diesel	FWD	1997	85	115	11.07-01.15	■
2.0 TDCi (TYBA)		Diesel	FWD	1997	85	115	11.07-01.15	■
2.0 TDCi (AZBA)		Diesel	FWD	1997	96	130	03.07-12.12	■
2.0 TDCi (AZBC)		Diesel	FWD	1997	100	136	03.07-12.14	■
2.0 TDCi (UKBA)		Diesel	FWD	1997	100	136	03.07-12.14	■
2.0 TDCi (UKBB)		Diesel	FWD	1997	100	136	03.07-12.14	■
2.0 TDCi (QXBA)		Diesel	FWD	1997	103	140	03.07-01.15	■
2.0 TDCi (QXBB)		Diesel	FWD	1997	103	140	03.07-01.15	■
2.0 TDCi (UFBA)		Diesel	FWD	1997	103	140	03.07-01.15	■
2.0 TDCi (UFBB)		Diesel	FWD	1997	103	140	03.07-01.15	■
2.0 TDCi (TXBA)		Diesel	FWD	1997	120	163	03.10-01.15	■
2.0 TDCi (TXBB)		Diesel	FWD	1997	120	163	03.10-01.15	■

# LISTA DE APLICACIONES - BUYERS GUIDE

2.2 TDCi (Q4BA)		Diesel	FWD	2179	129	175	03.08-10.10	■	
2.2 TDCi (KNBA)		Diesel	FWD	2179	147	200	07.10-01.15	■	
<b>S-MAX (WA6) 05.06-12.14</b>					<b>Box Body/MPV (LCVs-N1 Segment)</b>				
1.6		Gasolina	FWD	1596	118	160	02.11-12.14	■	
2.0		Gasolina	FWD	1999	107	145	03.10-12.14	■	
2.0 EcoBoost		Gasolina	FWD	1999	149	203	03.10-12.14	■	
2.0 EcoBoost		Gasolina	FWD	1999	176	239	07.10-12.14	■	
2.0 TDCi		Diesel	FWD	1997	85	116	01.07-12.14	■	
2.0 TDCi		Diesel	FWD	1997	103	140	03.10-12.14	■	
2.0 TDCi		Diesel	FWD	1997	120	163	03.10-12.14	■	
<b>S-MAX (WA6) 05.06-12.14</b>					<b>MPV (Large MPV-M1 Segment)</b>				
1.6 EcoBoost (JTWA)		Gasolina	FWD	1596	118	160	02.11-12.14	■	
1.6 EcoBoost (JTWB)		Gasolina	FWD	1596	118	160	02.11-12.14	■	
2.0 (AOWA)		Gasolina	FWD	1999	107	145	05.06-12.14	■	
2.0 (AOWB)		Gasolina	FWD	1999	107	145	05.06-12.14	■	
2.0 (TBWA)		Gasolina	FWD	1999	107	145	05.06-12.14	■	
2.0 (TBWB)		Gasolina	FWD	1999	107	145	05.06-12.14	■	
2.0 EcoBoost (TNWB)		Gasolina	FWD	1999	146	199	07.10-12.14	■	
2.0 EcoBoost (TNWA)		Gasolina	FWD	1999	149	203	03.10-12.14	■	
2.0 EcoBoost (TPWA)		Gasolina	FWD	1999	176	240	07.10-12.14	■	
2.3 (SEWA)		Gasolina	FWD	2261	118	160	07.07-12.14	■	
2.5 ST (HUWA)		Gasolina	FWD	2521	162	220	05.06-12.14	■	
2.0 FlexiFuel (TBWA)		Gasol./Etanol	FWD	1999	107	145	05.06-12.14	■	
2.0 FlexiFuel (TBWB)		Gasol./Etanol	FWD	1999	107	145	05.06-12.14	■	
1.6 TDCi (T1WA)		Diesel	FWD	1560	85	115	02.11-12.14	■	
1.6 TDCi (T1WB)		Diesel	FWD	1560	85	115	02.11-12.14	■	
1.8 TDCi (FFWA)		Diesel	FWD	1753	74	100	01.07-12.10	■	
1.8 TDCi (QYWA)		Diesel	FWD	1753	92	125	05.06-12.14	■	
2.0 TDCi (KLWA)		Diesel	FWD	1997	85	115	11.07-12.14	■	
2.0 TDCi (TYWA)		Diesel	FWD	1997	85	115	11.07-12.14	■	
2.0 TDCi (AZWA)		Diesel	FWD	1997	96	130	05.06-12.14	■	
2.0 TDCi (AZWC)		Diesel	FWD	1997	100	136	05.06-12.14	■	
2.0 TDCi (UKWA)		Diesel	FWD	1997	100	136	05.06-12.14	■	
2.0 TDCi (QXWA)		Diesel	FWD	1997	103	140	05.06-12.14	■	
2.0 TDCi (QXWB)		Diesel	FWD	1997	103	140	05.06-12.14	■	
2.0 TDCi (QXWC)		Diesel	FWD	1997	103	140	05.06-12.14	■	
2.0 TDCi (UFWA)		Diesel	FWD	1997	103	140	05.06-12.14	■	
2.0 TDCi (TXWA)		Diesel	FWD	1997	120	163	03.10-12.14	■	
2.2 TDCi (Q4WA)		Diesel	FWD	2179	129	175	03.08-12.12	■	
2.2 TDCi (KNWA)		Diesel	FWD	2179	147	200	07.10-12.14	■	
<b>S-MAX II (CJ, WA6) 01.15-</b>					<b>MPV (Large MPV-M1 Segment)</b>				
1.5 EcoBoost (UNCI)		Gasolina	FWD	1499	118	160	01.15-06.18	■	
1.5 EcoBoost (UNCJ)		Gasolina	FWD	1499	118	160	01.15-06.18	■	
1.5 EcoBoost (UNCK)		Gasolina	FWD	1499	118	160	01.15-06.18	■	
1.5 EcoBoost		Gasolina	FWD	1499	121	165	07.18-04.23	■	
2.0 EcoBoost (R9CD)		Gasolina	FWD	1999	176	240	01.15-04.23	■	
2.0 EcoBoost (R9CI)		Gasolina	FWD	1999	176	240	01.15-04.23	■	
2.5 FHEV		Gasol./eléc.	FWD	2488	140	190	07.21-04.23	■	
2.0 EcoBlue (YNCA)		Diesel	FWD	1995	88	120	07.18-04.23	■	

# LISTA DE APLICACIONES - BUYERS GUIDE

2.0 EcoBlue (YMCB)		Diesel	FWD	1995	110	150	07.18-04.23	■
2.0 EcoBlue 4x4 (YMCB)		Diesel	4WD	1995	110	150	07.18-04.23	■
2.0 EcoBlue (BCCC)		Diesel	FWD	1995	140	190	07.18-04.23	■
2.0 EcoBlue 4x4 (BCCC)		Diesel	4WD	1995	140	190	07.18-04.23	■
2.0 EcoBlue Bi-Turbo (YLCB)		Diesel	FWD	1995	176	240	07.18-04.23	■
2.0 TDCi (UFCA)		Diesel	FWD	1997	88	120	01.15-06.18	■
2.0 TDCi (UFCB)		Diesel	FWD	1997	88	120	01.15-06.18	■
2.0 TDCi (T7CI)		Diesel	FWD	1997	110	150	01.15-06.18	■
2.0 TDCi (T7CJ)		Diesel	FWD	1997	110	150	01.15-06.18	■
2.0 TDCi (T7CK)		Diesel	FWD	1997	110	150	01.15-06.18	■
2.0 TDCi (T7CL)		Diesel	FWD	1997	110	150	01.15-06.18	■
2.0 TDCi 4x4 (T7CI)		Diesel	4WD	1997	110	150	01.15-06.18	■
2.0 TDCi 4x4 (T7CJ)		Diesel	4WD	1997	110	150	01.15-06.18	■
2.0 TDCi 4x4 (T7CK)		Diesel	4WD	1997	110	150	01.15-06.18	■
2.0 TDCi 4x4 (T7CL)		Diesel	4WD	1997	110	150	01.15-06.18	■
2.0 TDCi (T8CG)		Diesel	FWD	1997	132	180	01.15-06.18	■
2.0 TDCi (T8CH)		Diesel	FWD	1997	132	180	01.15-06.18	■
2.0 TDCi (T8CI)		Diesel	FWD	1997	132	180	01.15-06.18	■
2.0 TDCi (T8CJ)		Diesel	FWD	1997	132	180	01.15-06.18	■
2.0 TDCi 4x4 (T8CG)		Diesel	4WD	1997	132	180	01.15-06.18	■
2.0 TDCi 4x4 (T8CH)		Diesel	4WD	1997	132	180	01.15-06.18	■
2.0 TDCi 4x4 (T8CI)		Diesel	4WD	1997	132	180	01.15-06.18	■
2.0 TDCi 4x4 (T8CJ)		Diesel	4WD	1997	132	180	01.15-06.18	■
2.0 TDCi Bi-Turbo (T9CB)		Diesel	FWD	1997	154	210	01.15-06.18	■
2.0 TDCi Bi-Turbo (T9CC)		Diesel	FWD	1997	154	210	01.15-06.18	■

## LAND ROVER

<b>RANGE ROVER EVOQUE (L538) 11.15-</b>				<b>Convertible (Compact SUV-J Segment)</b>				
2.0 4x4 (204PT)		Gasolina	4WD	1999	177	241	11.15-12.19	■
2.0 D 4x4 (204DTD)		Diesel	4WD	1999	110	150	11.15-12.19	■
2.0 D 4x4 (204DTD)		Diesel	4WD	1999	132	180	11.15-12.19	■

<b>RANGE ROVER EVOQUE (L538) 06.11-12.19</b>				<b>SUV Van (Compact SUV-J Segment)</b>				
Si4 4x4		Gasolina	4WD	1999	177	241	09.13-12.19	■
TD4		Diesel	FWD	2179	110	150	05.15-12.19	■
TD4 4x4		Diesel	4WD	2179	110	150	05.15-12.19	■
SD4 4x4		Diesel	4WD	2179	140	190	05.15-12.19	■

<b>RANGE ROVER EVOQUE (L538) 06.11-</b>				<b>SUV (Compact SUV-J Segment)</b>				
2.0 4x4 (PT204)		Gasolina	4WD	1997	177	241	08.17-12.19	■
2.0 4x4 (PT204)		Gasolina	4WD	1997	213	290	08.17-12.19	■
2.0 4x4 (204PT)		Gasolina	4WD	1999	176	240	09.11-12.19	■
2.0 4x4 (204PT)		Gasolina	4WD	1999	177	241	06.11-12.19	■
2.0 D (204DTD)		Diesel	FWD	1999	110	150	06.15-12.19	■
2.0 D 4x4 (204DTD)		Diesel	4WD	1999	110	150	06.15-12.19	■
2.0 D 4x4 (204DTD)		Diesel	4WD	1999	132	180	05.15-12.19	■
2.0 D 4x4 (204DTA)		Diesel	4WD	1999	177	241	08.17-12.19	■
2.2 D (224DT)		Diesel	FWD	2179	110	150	06.11-12.19	■
2.2 D 4x4 (224DT)		Diesel	4WD	2179	110	150	06.11-12.19	■
2.2 D 4x4 (224DT)		Diesel	4WD	2179	140	190	06.11-12.19	■

## VOLVO

# LISTA DE APLICACIONES - BUYERS GUIDE

<b>S80 II (124) 03.06-</b>				<b>Saloon (Executive car-E Segment)</b>			
2.5 T (B 5254 T6)	Gasolina	FWD	2521	147	200	03.06-12.11	■