

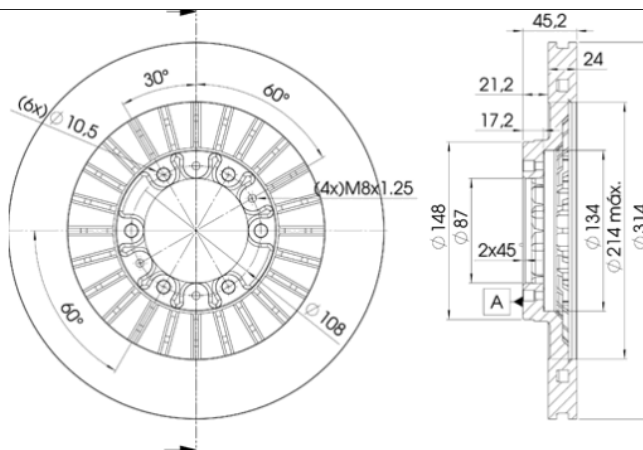
# LISTA DE APLICACIONES - BUYERS GUIDE

## 78BD7043-2



Weight: 13.828

O.E.M.	MAKE
MB 699716	MITSUBISHI



## 78BD7043-2



Ø314x24x45.2

MAKE
MITSUBISHI
MITSUBISHI(BJC)



	Trac.	CC	Kw	CV			Front / Rear
--	-------	----	----	----	--	--	--------------

### MITSUBISHI

<b>L200 III / COLT-RODEO / STRADA / TRITON (K7_T, K6_T, K5_T) 01.96-12.11</b>	<b>Pickup (Pick-Up Truck)</b>
---	-------------------------------

2.5 D 4WD	Diesel	4WD	2477	55	75	01.96-12.05	■
2.5 TD 4WD	Diesel	4WD	2477	64	87	07.97-12.03	■
2.5 TD 4x4 (K74T)	Diesel	4WD	2477	89	121	01.04-12.07	■

<b>PAJERO SPORT / G-WAGON / MONTERO SPORT / CHALLENGER (K7_, K9_) 07.96-</b>	<b>Closed Off-Road Vehicle (Executive SUV-J Segment)</b>
--	--

1.8 4WD (K90W) (4G93 (SOHC 16V))	Gasolina	4WD	1834	84	114	03.01-02.05	■	
3.0 V6 4WD (K96W) (6G72 (SOHC 24V))	Gasolina	4WD	2972	123	167	03.03-	■	
3.0 V6 (K96W) (6G72 (DOHC 24V))	Gasolina	4WD	2972	125	170	06.00-	■	
3.0 V6 (K96W) (6G72 (SOHC 24V))	Gasolina	4WD	2972	125	170	06.00-	■	
3.0 4WD (6G72 (SOHC 24V))	Gasolina	4WD	2972	129	175	09.96-12.01	■	
3.0 V6 (K96W) (6G72 (SOHC 24V))	-07/00	Gasolina	4WD	2972	130	177	11.98-10.00	■
3.5 (6G74 (SOHC 24V))	Gasolina	RWD	3497	147	200	09.98-12.04	■	
2.5 TD (K94W) (4D56-T)	Rim 16	Diesel	4WD	2477	73	99	11.98-	■
2.5 TD 4WD (K94W) (4D56-T)	Diesel	4WD	2477	83	112	11.97-10.98	■	
2.5 TD (K94W, K74T) (4D56-T)	Rim 16	Diesel	4WD	2477	85	115	07.02-	■
2.5 TD (K94W) (4D56-T)	Rim 16	Diesel	4WD	2477	98	133	08.03-	■
2.5 TD	Diesel	4WD	2477	110	150	01.10-12.11	■	

<b>PAJERO SPORT / SHOGUN SPORT (K90) 12.99-01.08</b>	<b>Van (LCVs-N1 Segment)</b>
--	------------------------------

3.0 V6 (6G72 (SOHC 24V))	Gasolina	4WD	2972	125	170	12.99-01.08	■
2.5 TD (4D56-T)	Diesel	4WD	2477	85	115	12.99-01.08	■

### MITSUBISHI(BJC)

# LISTA DE APLICACIONES - BUYERS GUIDE

<b>PAJERO SPORT 01.03-02.06</b>				<b>Closed Off-Road Vehicle (Compact SUV-J Segment)</b>				
3.0 A las 4 ruedas (K96W) (6G72)	Gasolina	4WD	2972	123	167	01.03-02.06	■	