

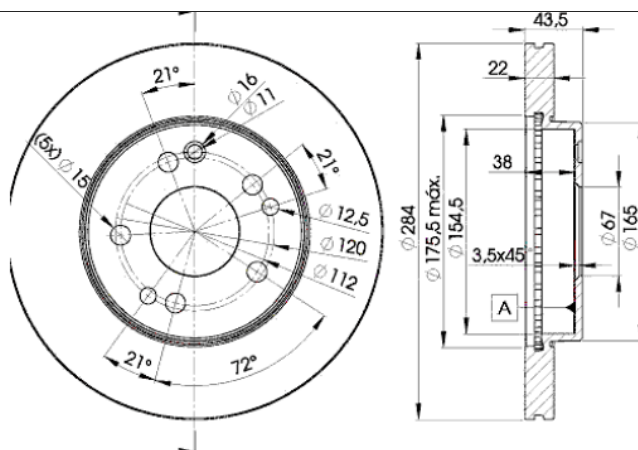
LISTA DE APLICACIONES - BUYERS GUIDE

78BD7200-2



Weight: 12.104

O.E.M.	MAKE
124 421 16 12	MERCEDES-BENZ
124 421 27 12	MERCEDES-BENZ
129 421 03 12	MERCEDES-BENZ



78BD7200-2

E1 90R-02C0452/0083



Ø284x22x43.5

MAKE
MERCEDES-BENZ



Trac.	CC	Kw	CV
-------	----	----	----



Front / Rear

MERCEDES-BENZ

							Coupe (Executive car-E Segment)				
124 (C124) 03.87-07.93											
200 CE (124.040) (M 111.940)		Gasolina	RWD	1998	100	136	07.92-07.93	■			
220 CE (124.042) (M 111.960)		Gasolina	RWD	2199	110	150	10.92-05.93	■			
230 CE Cat (124.043) (M 102.982)		Gasolina	RWD	2298	97	132	06.89-12.92	■			
300 CE (124.050) (M 103.983)		Gasolina	RWD	2960	132	180	03.87-05.93	■			
300 CE (124.050) (M 103.983)		Gasolina	RWD	2960	138	188	03.87-12.89	■			
							Saloon (Executive car-E Segment)				
124 (W124) 12.84-08.93											
220 E (124.022) (M 111.960)		Gasolina	RWD	2199	110	150	10.92-06.93	■			
230 E Cat (124.023) (M 102.982)		Gasolina	RWD	2298	97	132	06.89-06.93	■			
260 E (124.026) (M 103.940)		Gasolina	RWD	2597	118	160	09.85-08.92	■			
260 E (124.026) (M 103.940)		Gasolina	RWD	2597	122	166	09.85-12.89	■			
280 E (124.028) (M 104.942)		Gasolina	RWD	2799	145	197	10.92-06.93	■			
300 E (124.030) (M 103.983)		Gasolina	RWD	2960	132	180	08.85-08.92	■			
300 E (124.030) (M 103.980)		Gasolina	RWD	2960	138	188	01.85-12.85	■			
300 E (124.030) (M 103.983)		Gasolina	RWD	2960	138	188	06.85-08.92	■			
250 Turbo-D (124.128) (OM 602.962)		Diesel	RWD	2497	93	126	09.88-06.93	■			
300 Turbo-D (124.133) (OM 603.960)		Diesel	RWD	2996	105	143	09.86-09.88	■			
300 Turbo-D (124.133) (OM 603.963)		Diesel	RWD	2996	105	143	09.86-09.88	■			
300 Turbo-D (124.133) (OM 603.960)		Diesel	RWD	2996	108	147	09.88-06.93	■			
							Estate (Executive car-E Segment)				
124 T-Model (S124) 09.85-12.93											
200 TE (124.079) (M 111.940)		Gasolina	RWD	1998	100	136	05.86-06.93	■			
220 TE (124.082) (M 111.960)		Gasolina	RWD	2199	110	150	10.92-05.93	■			
230 TE (124.083) (M 102.982)	09/88-	Gasolina	RWD	2298	97	132	09.85-08.92	■			

LISTA DE APLICACIONES - BUYERS GUIDE

230 TE Cat (124.083) (M 102.982)		Gasolina	RWD	2298	97	132	06.89-08.92	■	
230 TE (124.083) (M 102.982)	09/88-	Gasolina	RWD	2298	100	136	09.85-08.92	■	
260 TE FGST. (124.007) (M 103.940)		Gasolina	RWD	2597	118	160	09.89-08.92	■	
260 TE FGST. (124.007) (M 103.940)		Gasolina	RWD	2597	122	166	09.85-12.89	■	
280 TE (124.088) (M 104.942)		Gasolina	RWD	2799	145	197	10.92-06.93	■	
300 TE (124.090) (M 103.983)		Gasolina	RWD	2960	132	180	01.86-08.92	■	
300 TE (124.090) (M 103.983)		Gasolina	RWD	2960	138	188	01.86-12.89	■	
3.0 300 TD T		Diesel	RWD	2996	100	136	06.92-05.93	■	
300 T Turbo-D (124.193) (OM 603.960)		Diesel	RWD	2996	105	143	09.86-01.89	■	
300 T Turbo-D (124.193) (OM 603.963)		Diesel	RWD	2996	105	143	09.86-01.89	■	
300 T Turbo-D (124.193) (OM 603.960)		Diesel	RWD	2996	108	147	01.89-06.93	■	
190 (W201) 10.82-08.93							Saloon (Compact executive car-D Segment)		
E 2.3-16 (201.034) (M 102.983)		Gasolina	RWD	2298	125	170	09.85-12.87	■	
E 2.3-16 (201.034) (M 102.983)		Gasolina	RWD	2298	130	177	09.85-08.88	■	
E 2.3-16 (201.034) (M 102.983)		Gasolina	RWD	2298	136	185	04.84-01.87	■	
E 2.5-16 Evolution (201.036) (M 102.991)		Gasolina	RWD	2498	143	194	03.89-08.93	■	
E 2.5-16 (201.035) (M 102.990)		Gasolina	RWD	2498	150	204	09.88-08.93	■	
E 2.5-16 Evolution II (201.036) (M 102.992)		Gasolina	RWD	2498	173	235	05.90-08.93	■	
E-Class (A124) 05.93-03.98							Convertible (Executive car-E Segment)		
E 200 (124.060) (M 111.940)		Gasolina	RWD	1998	100	136	06.93-03.98	■	
E 220 (124.062) (M 111.960)		Gasolina	RWD	2199	110	150	06.93-03.98	■	
E-Class (C124) 06.93-06.97							Coupe (Executive car-E Segment)		
E 200 (124.040) (M 111.940)		Gasolina	RWD	1998	100	136	06.93-06.97	■	
E 220 (124.042) (M 111.960)		Gasolina	RWD	2199	110	150	06.93-06.97	■	
E-Class (W124) 02.93-06.96							Saloon (Executive car-E Segment)		
E 200 (124.019) (M 111.940)		Gasolina	RWD	1998	100	136	06.93-06.95	■	
E 220 (124.022) (M 111.960)		Gasolina	RWD	2199	110	150	06.93-06.95	■	
E 280 (124.029) (M 104.942)		Gasolina	RWD	2799	142	193	06.93-06.95	■	
E 280 (124.028) (M 104.942)		Gasolina	RWD	2799	145	197	06.93-06.95	■	
E 250 Turbo-D (124.128) (OM 602.962)		Diesel	RWD	2497	93	126	06.93-06.95	■	
E 300 Turbo-D (124.133) (OM 603.960)		Diesel	RWD	2996	108	147	06.93-06.95	■	
E-Class T-Model (S124) 06.93-06.96							Estate (Executive car-E Segment)		
E 200 T (124.079) (M 111.940)		Gasolina	RWD	1998	100	136	06.93-06.96	■	
E 220 T (124.082) (M 111.960)		Gasolina	RWD	2199	110	150	06.93-06.96	■	
E 280 T (124.088) (M 104.942)		Gasolina	RWD	2799	142	193	06.93-06.96	■	
E 280 T (124.088) (M 104.942)		Gasolina	RWD	2799	145	197	06.93-06.96	■	
E 250 Turbo D (124.188) (OM 602.962)		Diesel	RWD	2497	93	126	06.93-06.96	■	
E 300 T Turbo-D (124.193) (OM 603.960)		Diesel	RWD	2996	108	147	06.93-06.96	■	
SL-Class III (R107) 05.71-12.89							Convertible (Executive car-E Segment)		
300 SL (107.041) (M 103.982)		Gasolina	RWD	2960	132	180	09.85-08.89	■	
300 SL (107.041) (M 103.982)		Gasolina	RWD	2960	138	188	09.85-08.89	■	
420 SL (107.047) (M 116.964)		Gasolina	RWD	4196	150	204	01.86-08.89	■	
420 SL (107.047) (M 116.964)		Gasolina	RWD	4196	160	218	01.86-08.89	■	
500 SL (107.046) (M 117.964)		Gasolina	RWD	4973	164	223	01.86-08.89	■	
500 SL (107.046) (M 117.960)	09/85-	Gasolina	RWD	4973	170	231	05.80-12.85	■	
500 SL (107.046) (M 117.962)	09/85-	Gasolina	RWD	4973	170	231	05.80-12.85	■	
500 SL (107.046) (M 117.960)		Gasolina	RWD	4973	180	245	01.86-08.89	■	
500 SL (107.046) (M 117.964)		Gasolina	RWD	4973	180	245	01.86-08.89	■	
5.0 500 SL		Gasolina	FWD	4973	195	265	10.87-09.89	■	

LISTA DE APLICACIONES - BUYERS GUIDE

560 SL (107.048) (M 117.967)	Gasolina	RWD	5547	169	230	09.85-12.89	■
560 SL (107.048)	Gasolina	RWD	5547	178	242	01.86-12.89	■