

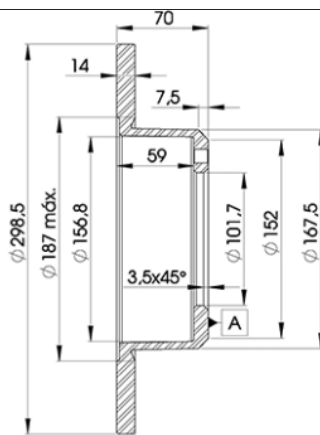
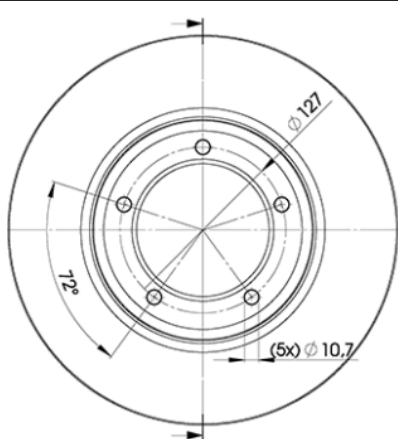
# LISTA DE APLICACIONES - BUYERS GUIDE

## 78BD7329-2



Weight: 14.216

O.E.M.	MAKE
571762	LAND ROVER
FRC7329	LAND ROVER
FRC7392	LAND ROVER
FTC3846	LAND ROVER
LR-017951	LAND ROVER
R571762	LAND ROVER
RTC-3194	LAND ROVER



## 78BD7329-2

**E1** 90R-02C0415/0031



Ø298.5x14x70

MAKE
LAND ROVER
TOYOTA



Trac.	CC	Kw	CV
-------	----	----	----



Front / Rear

### LAND ROVER

110/127 / DEFENDER (LDH) 09.83-12.90					Closed Off-Road Vehicle (Off-Road SUV-J Segment)			
2.3		Gasolina	FWD	2295	51	70	09.83-	■
2.5 4x4 (17 H)		Gasolina	4WD	2495	61	83	10.85-07.90	■
2.5 4x4 (17 J)		Gasolina	4WD	2495	61	83	10.85-07.90	■
3.5 4x4 (15G)		Gasolina	4WD	3528	85	116	01.84-09.90	■
3.5 4x4 (17D)		Gasolina	4WD	3528	85	116	01.84-09.90	■
3.5 4x4 (24G)		Gasolina	4WD	3528	85	116	01.84-09.90	■
3.5 4x4 (15G)		Gasolina	4WD	3528	98	133	09.83-07.90	■
3.5 4x4 (15G)		Gasolina	4WD	3528	100	136	01.85-07.90	■
3.5 4x4 (21 G)		Gasolina	4WD	3528	100	136	01.85-07.90	■
2.3 D 4x4 (10 J)		Diesel	4WD	2286	46	63	06.84-08.87	■
2.5 TD 4x4 (19 J)		Diesel	4WD	2494	63	86	09.86-07.90	■
2.5 D 4x4 (12 J)		Diesel	4WD	2495	51	69	09.83-07.90	■

88/109 IIA-IIB-III (LR) 09.61-12.86					Closed Off-Road Vehicle (Off-Road SUV-J Segment)			
2.3 4x4 (10 H)		Gasolina	4WD	2286	51	69	11.71-12.86	■
2.3 4x4 (11H)		Gasolina	4WD	2286	51	69	11.71-12.86	■
2.3 4x4 (23 B)		Gasolina	4WD	2286	51	69	11.71-12.86	■
2.3 4x4 (LR 88 OL, LR 109 OL) (10 H)		Gasolina	4WD	2286	51	69	09.61-12.86	■
2.3 4x4 (LR 88 OL, LR 109 OL) (11H)		Gasolina	4WD	2286	51	69	09.61-12.86	■
2.3 4x4 (11H)		Gasolina	4WD	2286	57	78	09.61-12.71	■
2.6		Gasolina	FWD	2625	60	82	09.69-12.74	■
2.6 4x4		Gasolina	4WD	2625	61	83	01.66-12.85	■
3.5 4x4 (15G)		Gasolina	4WD	3528	68	92	01.80-12.83	■

# LISTA DE APLICACIONES - BUYERS GUIDE

3.5 4x4 (15G)		Gasolina	4WD	3528	68	92	01.80-12.83	■	
3.5 4x4 (17G)		Gasolina	4WD	3528	68	92	01.80-12.83	■	
3.5 4x4 (17G)		Gasolina	4WD	3528	94	128	11.79-05.84	■	
2.3 D 4x4 (10 J)		Diesel	4WD	2286	46	63	11.71-12.86	■	
2.3 D 4x4 (23 J)		Diesel	4WD	2286	46	63	11.71-12.86	■	
2.3 D 4x4 (LR 88 DL, LR 109 DL) (10 J)		Diesel	4WD	2286	46	63	09.61-12.86	■	
2.3 D 4x4 (LR 88 DL, LR 109 DL) (23 J)		Diesel	4WD	2286	46	63	09.61-12.86	■	
2.5 D 4x4 (12 J)		Diesel	4WD	2495	51	69	11.79-05.84	■	
<b>88/109 IIA-IIB-III (LR) 09.61-12.86</b>							<b>Open Off-Road Vehicle (Off-Road SUV-J Segment)</b>		
2.3 4x4 (LR 88 OP, LR 109 OP) (10 H)		Gasolina	4WD	2286	51	69	09.61-12.86	■	
2.3 4x4 (LR 88 OP, LR 109 OP) (11H)		Gasolina	4WD	2286	51	69	09.61-12.86	■	
2.3 D 4x4 (LR 88 DP, LR 109 DP) (10 J)		Diesel	4WD	2286	46	63	09.61-12.86	■	
2.3 D 4x4 (LR 88 DP, LR 109 DP) (23 J)		Diesel	4WD	2286	46	63	09.61-12.86	■	
2.5 D 4x4 (12 J)		Diesel	4WD	2495	51	69	03.83-05.84	■	
<b>88/109 III 11.71-12.86</b>							<b>Open Off-Road Vehicle (Off-Road SUV-J Segment)</b>		
2.3 4x4 (10 H)		Gasolina	4WD	2286	51	69	11.71-10.85	■	
2.3 4x4 (11H)		Gasolina	4WD	2286	51	69	11.71-10.85	■	
2.3 4x4 (23 B)		Gasolina	4WD	2286	51	69	11.71-10.85	■	
3.5 4x4 (15G)		Gasolina	4WD	3528	68	92	01.80-12.83	■	
3.5 4x4 (17G)		Gasolina	4WD	3528	68	92	01.80-12.83	■	
3.5 4x4 (17G)		Gasolina	4WD	3528	94	128	11.79-05.84	■	
2.3 D 4x4 (10 J)		Diesel	4WD	2286	46	63	11.71-10.85	■	
2.3 D 4x4 (23 J)		Diesel	4WD	2286	46	63	11.71-10.85	■	
<b>90 / DEFENDER (LDV) 01.84-08.90</b>							<b>Closed Off-Road Vehicle (Off-Road SUV-J Segment)</b>		
2.3 4x4 (10 H)		Gasolina	4WD	2286	52	71	01.84-08.87	■	
2.5 4x4 (17 H)		Gasolina	4WD	2494	62	84	09.85-08.90	■	
3.5 4x4 (15G)		Gasolina	4WD	3528	85	116	06.84-07.90	■	
2.5 D 4x4 (12 J)		Diesel	4WD	2495	51	69	09.85-08.90	■	
2.5 TD 4x4 (19 J)		Diesel	4WD	2495	63	86	09.86-08.90	■	
<b>DEFENDER II (L316, L315) 05.90-10.17</b>							<b>Closed Off-Road Vehicle (Off-Road SUV-J Segment)</b>		
2.5 4x4 (17 H)		Gasolina	4WD	2495	61	83	09.90-12.94	■	
3.5 4x4 (11 D)		Gasolina	4WD	3528	86	117	09.90-08.93	■	
3.5 4x4 (21 G)		Gasolina	4WD	3528	86	117	09.90-08.93	■	
3.5 4x4 (15G)		Gasolina	4WD	3528	100	136	09.90-07.94	■ ■	
3.5 4x4 (21 G)		Gasolina	4WD	3528	100	136	09.90-07.94	■ ■	
3.5 4x4	-ch VKA930455	Gasolina	4WD	3532	100	136	09.90-12.98	■	
3.9 4x4 (L316) (37 L)		Gasolina	4WD	3947	134	182	01.93-09.00	■ ■	
3.9 V8 4x4 (L316) (37 L)	-ch (V)WA159806, vehicles without ABS, Whe.b 3302	Gasolina	4WD	3947	136	185	11.98-02.16	■	
2.2 Td4 4x4 (L316) (DT224)		Diesel	4WD	2198	90	122	08.11-02.16	■	
2.4 Td4 4x4 (L316) (DT244)		Diesel	4WD	2402	90	122	10.06-02.16	■	
2.4 TD4 4x4 (DT244)		Diesel	4WD	2402	103	140	07.07-02.16	■	
2.5 D 4x4 (L316) (12 J)	-06/93	Diesel	4WD	2495	51	69	09.90-07.94	■	
2.5 TDI 4x4 (L316) (11 L)	-ch (V)WA159806, vehicles without ABS, Whe.b 3302	Diesel	4WD	2495	83	113	08.90-12.98	■	
2.5 TDI 4x4 (L316) (16 L)	-ch (V)WA159806, vehicles without ABS, Whe.b 3302	Diesel	4WD	2495	83	113	08.90-12.98	■	
2.5 TDI 4x4 (L316) (23 L)	-ch (V)WA159806, vehicles without ABS, Whe.b 3302	Diesel	4WD	2495	83	113	08.90-12.98	■	
2.5 TD 4x4 (L316)		Diesel	4WD	2495	85	116	08.98-12.05	■ ■	
2.5 Td5 4x4 (L316) (10 P)	-ch (V)WA159806, vehicles without ABS, Whe.b 3302	Diesel	4WD	2495	90	122	06.98-02.16	■	

# LISTA DE APLICACIONES - BUYERS GUIDE

2.5 Td5 4x4 (L316) (14 P)	-ch (V)WA159806, vehicles without ABS, Whe.b 3302	Diesel	4WD	2495	90	122	06.98-02.16	■	
2.5 Td5 4x4 (L316) (15 P)	-ch (V)WA159806, vehicles without ABS, Whe.b 3302	Diesel	4WD	2495	90	122	06.98-02.16	■	
<b>DEFENDER II (L316) 08.90-02.16</b>								<b>Open Off-Road Vehicle (Off-Road SUV-J Segment)</b>	
3.5 4x4	-ch VKA930455	Gasolina	4WD	3531	100	136	09.90-12.98	■	
3.9 4x4 (37 L)		Gasolina	4WD	3947	134	182	04.98-09.00	■	■
2.2 Td4 4x4 (L317) (DT224)		Diesel	4WD	2198	90	122	08.11-02.16	■	
2.4 Td4 4x4 (L317) (DT244)		Diesel	4WD	2402	90	122	05.07-02.16	■	
2.5 D 4x4 (L316) (12 J)	-06/93	Diesel	4WD	2495	51	69	09.90-07.94	■	
2.5 TDI 4x4 (L316) (11 L)		Diesel	4WD	2495	83	113	08.90-11.98	■	
2.5 TDI 4x4 (L316) (16 L)		Diesel	4WD	2495	83	113	08.90-11.98	■	
2.5 TDI 4x4 (L316) (23 L)		Diesel	4WD	2495	83	113	08.90-11.98	■	
2.5 Td5 4x4 (L316) (10 P)	-ch (V)WA159806, vehicles without ABS, Whe.b 3302	Diesel	4WD	2495	90	122	06.98-02.16	■	
2.5 Td5 4x4 (L316) (14 P)	-ch (V)WA159806, vehicles without ABS, Whe.b 3302	Diesel	4WD	2495	90	122	06.98-02.16	■	
2.5 Td5 4x4 (L316) (15 P)	-ch (V)WA159806, vehicles without ABS, Whe.b 3302	Diesel	4WD	2495	90	122	06.98-02.16	■	
<b>DEFENDER II (L316) 01.94-10.17</b>								<b>Open Off-Road Vehicle (Pick-Up Truck)</b>	
2.8		Gasolina	FWD	2793	140	190	11.98-09.03	■	
4.0 4x4 (37 L)		Gasolina	4WD	3947	134	182	04.98-09.00	■	■
2.2 Td4 4x4 (L317) (DT224)		Diesel	4WD	2198	90	122	08.11-02.16	■	
2.4 Td4 4x4 (L317) (DT244)	-ch (V)WA159806, vehicles without ABS, Whe.b 3302	Diesel	4WD	2402	90	122	05.07-02.16	■	
2.4 TD4 4x4		Diesel	4WD	2402	103	140	10.09-05.16	■	
2.5 Td5 4x4 (L316) (10 P)	-ch (V)WA159806, vehicles without ABS, Whe.b 3302	Diesel	4WD	2495	90	122	06.98-02.16	■	
2.5 Td5 4x4 (L316) (15 P)	-ch (V)WA159806, vehicles without ABS, Whe.b 3302	Diesel	4WD	2495	90	122	06.98-02.16	■	
<b>DEFENDER II (L316) 09.90-02.16</b>								<b>Platform/Chassis (Off-Road SUV-J Segment)</b>	
2.2 Td4 4x4 (L317) (DT224)		Diesel	4WD	2198	90	122	08.11-02.16	■	
2.4 TD4 4x4 (DT244)		Diesel	4WD	2402	90	122	05.07-02.16	■	■
<b>DISCOVERY (LJ) 06.89-12.98</b>								<b>Closed Off-Road Vehicle (Executive SUV-J Segment)</b>	
2.0 16V 4x4 (20 T4H)	05/95-	Gasolina	4WD	1994	99	135	06.89-10.98	■	
3.5 4x4 (27G)		Gasolina	4WD	3528	84	114	11.89-09.90	■	
3.5 4x4 (SALLJG) (22 D)		Gasolina	4WD	3531	113	154	06.89-06.94	■	
3.5 4x4 (22 D)		Gasolina	4WD	3531	122	166	06.89-06.94	■	
4.0 4x4 (35 D)		Gasolina	4WD	3947	134	182	09.93-10.98	■	
4.0 4x4 (36 D)		Gasolina	4WD	3947	134	182	09.93-10.98	■	
2.5 TDI 4x4 (12 L)		Diesel	4WD	2495	83	113	10.89-10.98	■	
2.5 TDI 4x4 (17 L)		Diesel	4WD	2495	83	113	10.89-10.98	■	
2.5 TDI 4x4 (19 L)		Diesel	4WD	2495	83	113	10.89-10.98	■	
2.5 TDI 4x4 (21 L)		Diesel	4WD	2495	83	113	10.89-10.98	■	
2.5 TDI 4x4 (17 L)		Diesel	4WD	2495	90	122	06.93-10.98	■	
2.5 TDI 4x4 (19 L)		Diesel	4WD	2495	90	122	06.93-10.98	■	
2.5 TDI 4x4 (22 L)		Diesel	4WD	2495	90	122	06.93-10.98	■	
2.5 D 4x4		Diesel	4WD	2496	85	116	10.93-12.98	■	
<b>DISCOVERY II (L318) 10.98-08.04</b>								<b>Closed Off-Road Vehicle (Executive SUV-J Segment)</b>	
4.0 V8 4x4 (35 D)		Gasolina	4WD	3947	136	185	11.98-06.04	■	
4.0 V8 4x4 (56 D)		Gasolina	4WD	3947	136	185	11.98-06.04	■	
4.0 V8 4x4 (94 D)		Gasolina	4WD	3947	136	185	11.98-06.04	■	

# LISTA DE APLICACIONES - BUYERS GUIDE

<b>RANGE ROVER I 10.69-04.96</b>					<b>Closed Off-Road Vehicle (Executive SUV-J Segment)</b>			
3.5 Vogue 4x4 (11 D)		Gasolina	4WD	3528	93	126	08.81-09.90	■
3.5 4x4 (11 D)		Gasolina	4WD	3528	96	131	10.69-08.91	■
3.5 4x4 (11 D)		Gasolina	4WD	3528	97	132	07.70-08.81	■
3.5 4x4 (31 D)	-ch (V)FA399972, 07/87-	Gasolina	4WD	3528	107	146	01.87-09.90	■
3.5 Vogue 4x4 (24 D)	-ch (V)FA399972	Gasolina	4WD	3528	120	163	10.85-09.90	■
3.5 Vogue 4x4 (25 D)	-ch (V)FA399972	Gasolina	4WD	3528	120	163	10.85-09.90	■
3.9 Cat 4x4 (37 D)	-ch (V)FA399972	Gasolina	4WD	3947	127	173	11.88-07.94	■
3.9 Cat 4x4 (38 D)	-ch (V)FA399972	Gasolina	4WD	3947	127	173	11.88-07.94	■
3.9 4x4 (35 D)		Gasolina	4WD	3947	134	182	11.88-12.92	■
3.9 Vogue SEI 4x4 (35 D)	-ch (V)FA399972	Gasolina	4WD	3947	134	182	11.88-07.94	■
3.9 Vogue SEI 4x4 (36 D)	-ch (V)FA399972	Gasolina	4WD	3947	134	182	11.88-07.94	■
2.4 TD 4x4 (11 A)	-ch (V)FA399972	Diesel	4WD	2393	78	106	04.86-12.90	■
2.4 TD 4x4 (11 A)		Diesel	4WD	2393	78	106	10.85-09.89	■
2.4 TD 4x4 (11 A)		Diesel	4WD	2393	83	113	04.86-07.94	■
2.4 TD 4x4 (11 A)		Diesel	4WD	2393	89	121	10.89-02.92	■

## TOYOTA

<b>ALPHARD (_H1_) 04.03-04.08</b>					<b>MPV (Large MPV-M1 Segment)</b>			
2.4		Gasol./el éc.	FWD	2362	96	131	09.03-04.08	■