

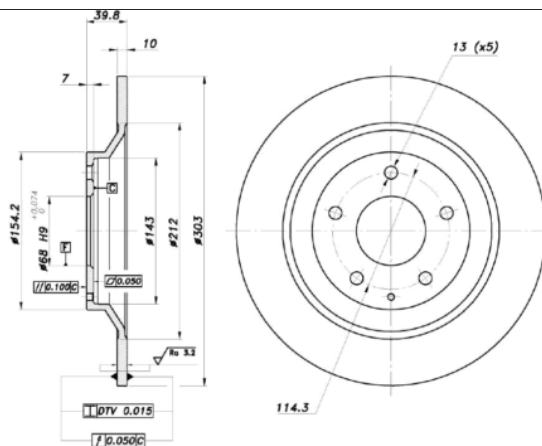
LISTA DE APLICACIONES - BUYERS GUIDE

78BD7337-2



Weight: 9.320

O.E.M.	MAKE
K01126225B	MAZDA
K01126251	MAZDA
K01126251A	MAZDA
K01126251B	MAZDA
K01126251C	MAZDA
KR1226251	MAZDA



78BD7337-2



Ø303x10x39.8

MAKE
HONGQI
MAZDA
MAZDA (CHANGAN)



Trac.	CC	Kw	CV
-------	----	----	----



Front / Rear

HONGQI

								Saloon ()	
H5 04.18-									
30 TD (CA4GB15TD-30)		Gasolina	FWD	1498	124	169	07.20-06.22		■
30 TD (CA4GC18TD-01)		Gasolina	FWD	1796	137	186	04.18-06.22		■
35 TD Mild Hybrid (CA4GC18TD-30)		Gasol./el éc.	FWD	1796	145	197	07.20-06.22		■

MAZDA

								SUV (Compact SUV-J Segment)	
CX-30 (DM, DT, ED) 04.19-									
2.0 SKYACTIV-D AWD		Gasolina	4WD	1998	114	155	09.19-		■
2.0 SKYACTIV-G (DM2W7) (PEXP)		Gasolina	FWD	1998	114	155	09.19-		■
2.0 SKYACTIV-D AWD		Gasolina	4WD	1998	115	156	08.19-		■
2.0 SKYACTIV-G (DM2W7) (PEXN)		Gasolina	FWD	1998	115	156	08.19-		■
2.0 SKYACTIV-G (PEXP)		Gasolina	FWD	1998	121	165	09.19-		■
SKYACTIV-G M Hybrid (PEXN)		Gasol./el éc.	FWD	1998	90	122	07.19-		■
SKYACTIV-G M Hybrid AWD (DMEW, DMFW) (PEXN)		Gasol./el éc.	4WD	1998	90	122	07.19-		■
SKYACTIV-G M Hybrid (DM5W, DM6W) (PEXW)		Gasol./el éc.	FWD	1998	110	150	01.20-		■
SKYACTIV-G M Hybrid AWD (DMEW, DMFW) (PEXW)		Gasol./el éc.	4WD	1998	110	150	01.20-		■
SKYACTIV-X M Hybrid (DMFP) (HFY1)		Gasol./el éc.	FWD	1998	132	179	07.19-		■
SKYACTIV-X M Hybrid AWD (DM4W7, DMFP) (HFY1)		Gasol./el éc.	4WD	1998	132	179	07.19-		■
e-SKYACTIV-X M Hybrid		Gasol./el éc.	FWD	1998	137	186	06.21-		■
e-SKYACTIV-X M Hybrid AWD		Gasol./el éc.	4WD	1998	137	186	06.21-		■

LISTA DE APLICACIONES - BUYERS GUIDE

1.8 SKYACTIV-D (S8Y1)		Diesel	FWD	1759	85	116	07.19-	■
1.8 SKYACTIV-D AWD (S8Y1)		Diesel	4WD	1759	85	116	07.19-	■
CX-5 (KE_) 11.11-02.17				SUV Van (Compact SUV-J Segment)				
SKYACTIV-G AWD (KEK9)		Gasolina	4WD	1998	118	160	04.15-02.17	■
SKYACTIV-G (KEC9)		Gasolina	FWD	1998	121	165	04.15-02.17	■
SKYACTIV-G AWD (KEN9)		Gasolina	4WD	2488	141	192	04.15-02.17	■
SKYACTIV-D (KEF9)		Diesel	FWD	2191	110	150	04.15-02.17	■
SKYACTIV-D AWD (KEN9)		Diesel	4WD	2191	110	150	04.15-02.17	■
SKYACTIV-D AWD (KEN9, KE2AW)		Diesel	4WD	2191	129	175	04.15-02.17	■
CX-5 (KE, GH) 11.11-				SUV (Compact SUV-J Segment)				
2.0		Gasolina	FWD	1997	116	158	01.12-02.17	■
2.0 AWD		Gasolina	4WD	1997	116	158	01.12-02.17	■
2.0 (PEY5)		Gasolina	FWD	1998	110	150	02.12-02.17	■
2.0 AWD (PEY5)		Gasolina	4WD	1998	110	150	02.12-02.17	■
2.0 (PEY4)		Gasolina	FWD	1998	113	154	04.15-02.17	■
2.0 (PEY5)		Gasolina	FWD	1998	113	154	04.15-02.17	■
2.0 AWD (KE107, KEEAW) (PEY4)		Gasolina	4WD	1998	113	154	02.12-02.17	■
2.0 AWD (KE107, KEEAW) (PEY5)		Gasolina	4WD	1998	113	154	02.12-02.17	■
2.0 (KE107, KEEFW) (PEY4)		Gasolina	FWD	1998	114	155	07.12-02.17	■
2.0 (KE107, KEEFW) (PEY5)		Gasolina	FWD	1998	114	155	07.12-02.17	■
2.0 AWD (PEY4)		Gasolina	4WD	1998	114	155	07.12-02.17	■
2.0 AWD (PEY5)		Gasolina	4WD	1998	114	155	07.12-02.17	■
2.0 (KE107) (PEY5)		Gasolina	FWD	1998	115	156	01.12-02.17	■
2.0 (KE107) (PEY7)		Gasolina	FWD	1998	115	156	01.12-02.17	■
2.0 AWD (KE107) (PEY5)		Gasolina	4WD	1998	115	156	01.12-02.17	■
2.0 AWD (KE107) (PEY7)		Gasolina	4WD	1998	115	156	01.12-02.17	■
2.0 AWD (KEEAW) (PEY6)		Gasolina	4WD	1998	118	160	11.11-02.17	■
2.0 AWD (KEEAW) (PEY7)		Gasolina	4WD	1998	118	160	11.11-02.17	■
2.0 (KEEFW) (PEY6)		Gasolina	FWD	1998	121	165	11.11-02.17	■
2.0 (KEEFW) (PEY7)		Gasolina	FWD	1998	121	165	11.11-02.17	■
2.0		Gasolina	FWD	1998	125	170	01.15-	■
2.5		Gasolina	FWD	2488	135	184	07.14-	■
2.5		Gasolina	FWD	2488	136	185	04.15-	■
2.5 AWD (PY-VPS)		Gasolina	4WD	2488	136	185	04.15-02.17	■
2.5		Gasolina	FWD	2488	137	186	02.13-	■
2.5 (PY-VPS)		Gasolina	FWD	2488	137	186	02.13-02.17	■
2.5 (KE5FW) (PY-VPS)		Gasolina	FWD	2488	138	188	02.13-02.17	■
2.5 AWD (KE103) (PYY1)		Gasolina	4WD	2488	138	188	02.13-02.17	■
2.5		Gasolina	FWD	2488	141	192	03.15-	■
2.5 AWD (PYY1)		Gasolina	4WD	2488	141	192	02.15-02.17	■
2.2 D (KE2FW) (SH-VPTS)		Diesel	FWD	2188	129	175	04.12-02.17	■
2.2 D 4WD (KE2AW) (SH-VPTS)		Diesel	4WD	2188	129	175	04.12-02.17	■
2.2 D (KE2FW) (SHY1)		Diesel	FWD	2191	110	150	04.12-02.17	■
2.2 D (KE2FW) (SHY4)		Diesel	FWD	2191	110	150	04.12-02.17	■
2.2 D AWD (KE2AW) (SHY1)		Diesel	4WD	2191	110	150	04.12-02.17	■
2.2 D (SHY1)		Diesel	FWD	2191	129	175	04.12-02.17	■
2.2 D AWD (KE102) (SHY4)		Diesel	4WD	2191	129	175	04.12-02.17	■
CX-5 II (KF) 11.16-				SUV (Compact SUV-J Segment)				
2.0 (PEXB)		Gasolina	FWD	1998	110	150	03.18-	■
2.0 (PEXP)		Gasolina	FWD	1998	110	150	03.18-	■

LISTA DE APLICACIONES - BUYERS GUIDE

2.0 AWD (PEXB)	Gasolina	4WD	1998	110	150	03.18-
2.0 (PEXB)	Gasolina	FWD	1998	113	154	03.18-
2.0 AWD (PEXB)	Gasolina	4WD	1998	113	154	03.18-
2.0 (KF2W7, KFEP) (PE-VPS)	Gasolina	FWD	1998	114	155	11.16-
2.0 AWD (PEX3)	Gasolina	4WD	1998	118	160	05.17-
2.0 SKYACTIV-G (PEXB)	Gasolina	FWD	1998	120	163	03.18-
2.0 SKYACTIV-G (PEXP)	Gasolina	FWD	1998	120	163	03.18-
2.0 SKYACTIV-G AWD (PEXB)	Gasolina	4WD	1998	120	163	03.18-
2.0 SKYACTIV-G AWD (PEXP)	Gasolina	4WD	1998	120	163	03.18-
2.0 (PEX3)	Gasolina	FWD	1998	121	165	05.17-
2.0 (PEXB)	Gasolina	FWD	1998	121	165	05.17-
2.0 (PEXP)	Gasolina	FWD	1998	121	165	05.17-
2.0 AWD (PEXB)	Gasolina	4WD	1998	121	165	06.18-
2.0 AWD (PEXP)	Gasolina	4WD	1998	121	165	06.18-
2.5 AWD (KF5P) (PY-VPS)	Gasolina	4WD	2488	135	184	11.16-
2.5 (KF5P) (PY-Y8)	Gasolina	FWD	2488	138	188	05.17-
2.5 AWD (KF5P) (PY-Y8)	Gasolina	4WD	2488	138	188	01.17-
2.5 (KF5P) (PY-VPS)	Gasolina	FWD	2488	140	190	11.16-
2.5 AWD (KF4WL) (PY-Y8)	Gasolina	4WD	2488	140	190	11.16-
2.5 AWD (KF4WL) (PY-ZA)	Gasolina	4WD	2488	140	190	11.16-
2.5	Gasolina	FWD	2488	141	192	05.17-
2.5 (PYZ8)	Gasolina	FWD	2488	143	194	03.19-11.22
2.5 (PYZC)	Gasolina	FWD	2488	143	194	03.19-11.22
2.5 AWD (PY-VPS)	Gasolina	4WD	2488	143	194	05.17-
2.5 AWD (PY-Y8)	Gasolina	4WD	2488	143	194	05.17-
2.5 AWD (PYZ8)	Gasolina	4WD	2488	143	194	05.17-
2.5 AWD (PY-ZA)	Gasolina	4WD	2488	143	194	05.17-
2.5 AWD (PYZC)	Gasolina	4WD	2488	143	194	05.17-
2.5 (KF5P) (PY-VPTS)	Gasolina	FWD	2488	169	230	11.18-
2.5 AWD (KF5P) (PY-VPTS)	Gasolina	4WD	2488	169	230	11.18-
2.5 AWD (KF5P, KF4WL) (PYZ4)	Gasolina	4WD	2488	170	231	11.18-
2.5 AWD (PY-VPTS)	Gasolina	4WD	2488	186	253	11.18-
2.5 AWD (PY-VPTS)	Gasolina	4WD	2488	191	260	09.21-
2.0 e-SKYACTIV G 165	Gasol./el éc.	FWD	1998	121	165	02.23-
2.0 e-SKYACTIV G 165 AWD	Gasol./el éc.	4WD	1998	121	165	02.23-
2.5 e-SKYACTIV G 194	Gasol./el éc.	FWD	2488	143	194	02.23-
2.5 e-SKYACTIV G 194 AWD	Gasol./el éc.	4WD	2488	143	194	02.23-
2.2 D (SH-VPTS)	Diesel	FWD	2188	129	175	11.16-
2.2 D AWD (KF2P) (SH-VPTS)	Diesel	4WD	2188	129	175	11.16-
2.2 D (SH-VPTS)	Diesel	FWD	2188	140	190	11.18-
2.2 D AWD (KF2P) (SH-VPTS)	Diesel	4WD	2188	140	190	11.18-
2.2 (KF2P) (SH-VPTS)	Diesel	4WD	2188	147	200	12.20-
2.2 (KF2P) (SH-VPTS)	Diesel	FWD	2188	147	200	12.20-
2.2 D (KF6W) (SHY6)	Diesel	FWD	2191	110	150	05.17-12.24
2.2 D AWD (KFGW) (SHY6)	Diesel	4WD	2191	110	150	05.17-12.24
2.2 D (SHY6)	Diesel	FWD	2191	129	175	05.17-
2.2 D AWD (KF4W2) (SHY6)	Diesel	4WD	2191	129	175	05.17-02.18
2.2 D AWD (SHY8)	Diesel	4WD	2191	135	184	06.18-
2.2 SKYACTIV-D	Diesel	FWD	2191	135	184	02.21-
2.2 D AWD (SHY8)	Diesel	4WD	2191	138	188	03.18-

LISTA DE APLICACIONES - BUYERS GUIDE

2.2 Skyativ-D AWD (KF4W2) (SHY8)	Diesel	4WD	2191	140	190	05.18-	■
CX-8 (KG) 09.17-				SUV (Compact SUV-J Segment)			
2.5 SkyActiv-G (KG5P) (PY-VPS)	Gasolina	FWD	2488	140	190	11.18-	■
2.5 SkyActiv-G AWD (PY-VPS)	Gasolina	4WD	2488	140	190	06.19-	■
2.5 (KG5P) (PY-VPTS)	Gasolina	FWD	2488	169	230	11.18-	■
2.5 4WD (KG5P) (PY-VPTS)	Gasolina	4WD	2488	169	230	11.18-	■
2.2 D (SH-VPTS)	Diesel	FWD	2188	140	190	09.17-	■
2.2 D 4WD (SH-VPTS)	Diesel	4WD	2188	140	190	09.17-	■
2.2 (KG2P) (SH-VPTS)	Diesel	FWD	2188	147	200	12.20-	■
2.2 4WD (KG2P) (SH-VPTS)	Diesel	4WD	2188	147	200	12.20-	■
MX-30 (DR) 05.20-				SUV (Compact SUV-J Segment)			
e-SKYACTIV R-EV	Gasol./el éc.	FWD	830	125	170	02.23-	■
e-SKYACTIV (MH01)	Eléctrico	FWD		105	143	05.20-	■
e-SKYACTIV (DR1W) (MH01)	Eléctrico	FWD		107	145	05.20-	■
MAZDA (CHANGAN)							
CX-30 05.20-				SUV (Compact SUV-J Segment)			
EV (XTDM13)	Eléctrico	FWD	0	160	218	09.21-	■
CX-5 (KE) 11.11-				SUV (Compact SUV-J Segment)			
2.0 (PE)	Gasolina	FWD	1998	114	155	07.12-09.17	■
2.0 AWD (PE)	Gasolina	4WD	1998	144	155	07.12-09.17	■
2.5 AWD (PY)	Gasolina	4WD	2488	144	196	02.13-09.17	■
CX-5 II (KF) 09.17-				SUV (Compact SUV-J Segment)			
2.0 (PE)	Gasolina	FWD	1998	114	155	09.17-	■
2.0 AWD (PE)	Gasolina	4WD	1998	114	155	09.17-	■
2.5 (PY)	Gasolina	FWD	2488	144	196	09.17-	■
2.5 AWD (PY)	Gasolina	4WD	2488	144	196	09.17-	■