

LISTA DE APLICACIONES - BUYERS GUIDE

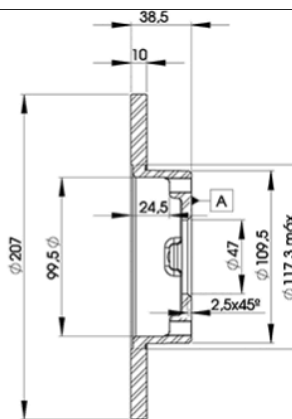
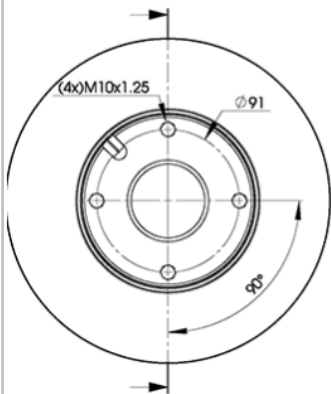
78BD7702-2



8 424073 148520

Weight: 5.290

O.E.M.	MAKE
43512-87702	DAIHATSU



78BD7702-2



Ø207x10x38.5

MAKE
DAIHATSU



Trac.	CC	Kw	CV
-------	----	----	----



Front / Rear

DAIHATSU

CHARADE (G10) 10.77-05.84

Hatchback (Supermini car-B Segment)

Model	Trac.	CC	Kw	CV	Period	Availability
1.0 (CB 20)	FWD	993	37	50	10.77-02.81	■
1.0 (CB 20)	FWD	993	38	52	02.81-02.83	■
1.0 (CB 22)	FWD	993	38	52	02.81-02.83	■