

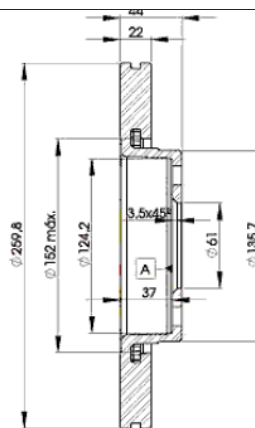
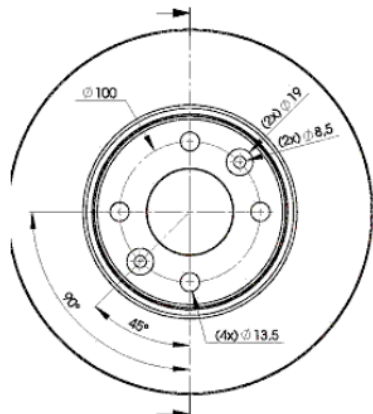
LISTA DE APLICACIONES - BUYERS GUIDE

78BD7795-2



Weight: 11.112

O.E.M.	MAKE
40206-AX600	NISSAN
40206-AX602	NISSAN
40206-AX603	NISSAN
77 01 207 795	DACIA



78BD7795-2

E1 90R-02C0433/0056



Ø260x22x44

MAKE
DACIA
LADA
NISSAN
RENAULT



Trac.	CC	Kw	CV
-------	----	----	----



Front / Rear

DACIA

LOGAN (US_) 03.08-

Pickup (Compact car-C Segment)

1.4 (K7J 710)	Gasolina	FWD	1390	55	75	01.09-	■
1.6 MPI 85 (K7M 800)	Gasolina	FWD	1598	62	84	05.10-	■
1.6 (K7M 710)	Gasolina	FWD	1598	64	87	03.08-	■
1.6 16V (US1Y) (K4M 690)	Gasolina	FWD	1598	77	105	01.10-08.13	■
1.6 BiFuel (K7M 800)	Gasol./Gas (LPG)	FWD	1598	62	84	05.10-	■
1.5 dCi (US00, US0J, US0Y) (K9K 794)	Diesel	FWD	1461	48	65	04.08-12.12	■
1.5 dCi (US0K) (K9K 792)	Diesel	FWD	1461	50	68	03.08-	■
1.5 dCi (K9K 892)	Diesel	FWD	1461	55	75	05.10-	■
1.5 dCi (US0W) (K9K 796)	Diesel	FWD	1461	63	86	03.08-	■
1.5 dCi (K9K 892)	Diesel	FWD	1461	65	88	05.10-	■

LOGAN EXPRESS (FS_) 10.07-

Estate Van (Compact car-C Segment)

1.6 MPI 85 (K7M 800)	Gasolina	FWD	1598	62	84	05.10-	■
1.6 LPG (K7M 818)	Gasol./Gas (LPG)	FWD	1598	62	84	05.10-12.12	■
1.5 dCi (FS0Y, FS00, FS0J)	Diesel	FWD	1461	48	65	10.07-12.12	■
1.5 dCi (K9K 892)	Diesel	FWD	1461	55	75	05.10-	■
1.5 dCi (FS0W) (K9K 796)	Diesel	FWD	1461	63	86	03.09-	■
1.5 dCi (K9K 892)	Diesel	FWD	1461	65	88	05.10-	■

LOGAN MCV (KS_) 02.07-

Estate (Compact car-C Segment)

1.6 MPI 85 (K7M 800)	Gasolina	FWD	1598	62	84	05.10-	■
1.6 BiFuel (K7M 718)	Gasol./Gas (LPG)	FWD	1598	62	84	05.10-	■

LISTA DE APLICACIONES - BUYERS GUIDE

1.6 16V Hi-Flex (K4M 690)		Gasol./Etanol	FWD	1598	77	105	11.09-	■
1.5 dCi (K9K 790)		Diesel	FWD	1461	48	65	04.08-06.13	■
LADA								
LARGUS (KS0_, RS0_, KSA_) 03.12-					Estate Van (Compact car-C Segment)			
1.6 (KS035, RS035) (11189)		Gasolina	FWD	1597	64	87	06.16-	■
1.6 (KS045, RS045) (21129)		Gasolina	FWD	1597	78	106	09.17-	■
1.6 (KS0Y5, RS0Y5) (K7M)		Gasolina	FWD	1598	62	84	03.12-	■
1.6 (KS0Y5, RS0Y5) (K4M)		Gasolina	FWD	1598	75	102	04.16-	■
1.6 (KS0Y5, RS0Y5) (K4M)		Gasolina	FWD	1598	77	105	03.12-	■
1.6 CNG (KSA45) (21129)		Gasol./Gas (CNG)	FWD	1597	69	94	11.18-	■
LARGUS (KS0_, RS0_, KSA_) 03.12-					Estate (Compact car-C Segment)			
1.6 (KS035, RS035) (11189)		Gasolina	FWD	1597	64	87	04.16-03.21	■
1.6 (KS045, RS045) (21129)		Gasolina	FWD	1597	78	106	09.17-	■
1.6 (RS0Y5, KS0Y5) (K7M)		Gasolina	FWD	1598	62	84	03.12-	■
1.6 (KS0Y5, RS0Y5) (K4M)		Gasolina	FWD	1598	77	105	03.12-	■
1.6 CNG (KSA45) (21129)		Gasol./Gas (CNG)	FWD	1597	69	94	11.18-	■
LARGUS (FS0_, FSA_) 03.12-					Van (LCVs-N1 Segment)			
1.6 (FS035) (11189)		Gasolina	FWD	1597	64	87	06.16-	■
1.6 (FS045) (21129)		Gasolina	FWD	1597	78	106	09.17-	■
1.6 (FS015) (K7M)		Gasolina	FWD	1598	62	84	03.12-	■
1.6 (FS0Y5) (K4M)		Gasolina	FWD	1598	77	105	03.12-	■
1.6 CNG (FSA45) (21129)		Gasol./Gas (CNG)	FWD	1597	69	94	11.18-	■
NISSAN								
BLUEBIRD SYLPHY II (G11) 09.05-					Saloon (Compact car-C Segment)			
1.6 (G15) (K4M)		Gasolina	FWD	1598	75	102	12.12-	■
MICRA II / MARCH (K11) 01.92-12.07					Hatchback (Supermini car-B Segment)			
1.0 i 16V (K11) (CG10DE)		Gasolina	FWD	998	44	60	07.00-02.03	■
1.4 i 16V (AK11) (CGA3DE)		Gasolina	FWD	1348	60	82	09.00-02.03	■
1.5 D (TD15)		Diesel	FWD	1527	42	57	02.98-02.03	■
MICRA III / MARCH (K12) 03.02-09.11					Hatchback (Supermini car-B Segment)			
1.0 16V (K12) (CG10DE)		Gasolina	FWD	998	48	65	01.03-06.10	■
1.2 16V (CG12DE)		Gasolina	FWD	1240	48	65	01.03-06.10	■
1.2 16V (CR12DE)		Gasolina	FWD	1240	48	65	01.03-06.10	■
1.2 16V (CG12DE)		Gasolina	FWD	1240	59	80	01.03-06.10	■
1.2 16V (CR12DE)		Gasolina	FWD	1240	59	80	01.03-06.10	■
1.2 (AK12)		Gasolina	FWD	1240	66	90	03.02-06.10	■
1.2 12 SR (AK12)		Gasolina	FWD	1240	80	109	10.03-07.05	■
1.2 12 SR (AK12)		Gasolina	FWD	1240	81	110	08.05-06.10	■
1.3		Gasolina	FWD	1348	60	82	08.04-06.10	■
1.4 16V (CR14DE)		Gasolina	FWD	1386	65	88	01.03-06.10	■
1.4 (BK12)		Gasolina	FWD	1386	72	98	03.07-06.10	■
1.5 160 SR (YK12)		Gasolina	FWD	1498	80	109	05.05-06.10	■
160 SR (HR16DE)		Gasolina	FWD	1598	81	110	05.05-06.10	■
1.2 LPG (CR12DE)		Gasol./Gas (LPG)	FWD	1240	59	80	10.02-06.10	■

LISTA DE APLICACIONES - BUYERS GUIDE

1.5 dCi (K9K 704)		Diesel	FWD	1461	48	65	01.03-06.10	■	
1.5 dCi (K9K 708)		Diesel	FWD	1461	50	68	06.05-06.10	■	
1.5 dCi (K9K 722)		Diesel	FWD	1461	60	82	09.03-06.10	■	
1.5 dCi (K9K 276)		Diesel	FWD	1461	63	86	06.05-06.10	■	
MICRA III C+C / MARCH (K12) 08.05-							Convertible (Supermini car-B Segment)		
1.4 16V (CR14DE)		Gasolina	FWD	1386	65	88	08.05-01.09	■	
1.6 160 SR (HR16DE)		Gasolina	FWD	1598	81	110	08.05-06.10	■	
MICRA V / MARCH (K14) 12.16-							Hatchback (Supermini car-B Segment)		
0.9 IG-T (H4B 408)		Gasolina	FWD	898	66	90	12.16-	■	
0.9 IG-T (HR09DET)		Gasolina	FWD	898	66	90	12.16-	■	
1.0 (B4D 410)		Gasolina	FWD	998	52	71	12.16-	■	
1.0 (BR10DE)		Gasolina	FWD	998	52	71	12.16-	■	
1.0 (B4D 410)		Gasolina	FWD	998	54	73	12.16-	■	
1.0 (BR10DE)		Gasolina	FWD	998	54	73	12.16-	■	
1.0 DIG-T 117 (HR10DDT)		Gasolina	FWD	999	86	117	02.19-	■	
0.9 LPG (HR09DET)		Gasol./Gas (LPG)	FWD	898	64	87	03.19-	■	
1.5 dCi (K9K 628)		Diesel	FWD	1461	66	90	12.16-	■	
NOTE (E11, NE11) 01.05-08.13							MPV (Mini MPV-M1 Segment)		
1.4 (CR14DE)		Gasolina	FWD	1386	65	88	01.06-08.13	■	
1.5 (HR15DE)		Gasolina	FWD	1498	80	109	03.06-12.10	■	
1.5		Gasolina	FWD	1498	80	109	01.06-12.10	■	
1.6 (HR16DE)		Gasolina	FWD	1598	81	110	03.06-06.12	■	
1.4 LPG (CR14DE)		Gasol./Gas (LPG)	FWD	1386	65	88	01.06-08.13	■	
1.5 dCi (K9K 700)		Diesel	FWD	1461	50	68	03.06-06.12	■	
1.5 dCi (K9K 276)		Diesel	FWD	1461	63	86	03.06-06.12	■	
1.5 dCi (K9K 276)		Diesel	FWD	1461	66	90	09.10-06.12	■	
1.5 dCi (K9K 288)		Diesel	FWD	1461	76	103	07.08-06.12	■	
NOTE II / VERSA NOTE (E12) 09.12-							MPV (Mini MPV-M1 Segment)		
1.6		Gasolina	FWD	1598	80	109	06.13-	■	
1.6		Gasolina	FWD	1598	81	110	06.13-	■	
NOTE VAN (E11) 01.05-08.13							Box Body/MPV (Mini MPV-M1 Segment)		
1.5 dCi		Diesel	FWD	1461	63	86	01.11-09.12	■	
SUNNY X (N17) 01.11-							Saloon (Supermini car-B Segment)		
1.5		Gasolina	FWD	1498	74	101	01.11-	■	
TIIDA / VERSA (C11) 05.04-12.14							Hatchback (City car-A Segment)		
1.6 (HR16DE)		Gasolina	FWD	1598	81	110	09.07-12.11	■	
1.8 (JC11) (MR18DE)		Gasolina	FWD	1798	93	126	09.04-12.11	■	
1.5 dCi (K9K)		Diesel	FWD	1461	78	106	09.07-12.11	■	
1.5 dCi (K9K 278)		Diesel	FWD	1461	78	106	09.07-12.11	■	
TIIDA / VERSA (SC11) 05.04-02.14							Saloon (City car-A Segment)		
1.6 (C11L) (HR16DE)		Gasolina	FWD	1598	81	110	09.07-12.12	■	
1.8		Gasolina	FWD	1797	92	125	01.12-	■	
1.8 Flex		Gasolina	FWD	1797	92	125	07.10-	■	
1.8 (MR18DE)		Gasolina	FWD	1798	93	126	09.07-12.12	■	
1.5 dCi (K9K)		Diesel	FWD	1461	78	106	09.07-12.12	■	
1.5 dCi (K9K 278)		Diesel	FWD	1461	78	106	09.07-12.12	■	

RENAULT

LISTA DE APLICACIONES - BUYERS GUIDE

CLIO II / EURO CLIO (BR0/1, CR0/1) 01.05-					Hatchback (Supermini car-B Segment)			
1.2 16V (D4F 764)	Gasolina	FWD	1149	43	58	06.06-08.10	■	
1.2 16V (BR0R, BR1D, BR1L, CR0R) (D4F 740)	Gasolina	FWD	1149	48	65	06.05-12.14	■	
1.2 16V (BR02, BR0J, BR11, CR02, CR0J, CR11) (D4F 706)	Gasolina	FWD	1149	55	75	06.05-12.14	■	
1.2 16V (BR02, BR0J, BR11, CR02, CR0J, CR11) (D4F 740)	Gasolina	FWD	1149	55	75	06.05-12.14	■	
1.2 16V (BR02, BR0J, BR11, CR02, CR0J, CR11) (D4F 764)	Gasolina	FWD	1149	55	75	06.05-12.14	■	
1.2 (BR01, BR03, BR0E, CR0E) (D4F 764)	Gasolina	FWD	1149	57	78	10.05-12.12	■	
1.2 16V (D4F 764)	Gasolina	FWD	1149	58	78	06.05-12.14	■	
1.2 16V (BR0P, CR0P) (D4F 784)	Gasolina	FWD	1149	74	101	05.07-12.14	■	
1.2 16V (D4F 786)	Gasolina	FWD	1149	76	103	09.10-12.14	■	
1.4 16V (K4J 780)	Gasolina	FWD	1390	72	98	06.05-12.12	■	
1.6 16V (BR09, BR0T, CR09, CR0T) (K4M 804)	Gasolina	FWD	1598	65	88	06.05-10.07	■	
1.6	Gasolina	FWD	1598	79	107	09.05-12.10	■	
1.6 16V (BR05, BR0B, BR0Y, BR15, BR1J, BR1M, BR1Y, CR0B,...) (K4M 800)	Gasolina	FWD	1598	82	112	06.05-12.14	■	
1.6 16V (BR05, BR0B, BR0Y, BR15, BR1J, BR1M, BR1Y, CR0B,...) (K4M 801)	Gasolina	FWD	1598	82	112	06.05-12.14	■	
1.6 16V GT (BR10, CR10) (K4M 862)	Gasolina	FWD	1598	94	128	06.09-12.14	■	
1.2 16V Hi-Flex (BR1U, CR1U) (D4F 740)	Gasol./Gas (LPG)	FWD	1149	55	75	07.08-12.14	■	
1.2 Ethanol (CR1U, BR1U) (D4F 742)	Gasol./Etanol	FWD	1149	55	75	07.08-12.12	■	
1.5 dCi (K9K 752)	Diesel	FWD	1461	47	64	06.05-12.12	■	
1.5 dCi (K9K 752)	Diesel	FWD	1461	48	65	05.05-11.10	■	
1.5 dCi (C/BR0G, C/BR1G) (K9K 714)	Diesel	FWD	1461	50	68	06.05-12.12	■	
1.5 dCi (C/BR0G, C/BR1G) (K9K 768)	Diesel	FWD	1461	50	68	06.05-12.12	■	
1.5 dCi (K9K 770)	Diesel	FWD	1461	55	75	08.10-12.14	■	
1.5 dCi (K9K 750)	Diesel	FWD	1461	60	82	11.07-12.12	■	
1.5 dCi (BR17, CR17) (K9K 766)	Diesel	FWD	1461	63	86	06.05-12.12	■	
1.5 dCi (K9K 766)	Diesel	FWD	1461	65	88	08.10-12.14	■	
1.5 dCi (K9K 770)	Diesel	FWD	1461	65	88	08.10-12.14	■	
1.5 dCi (BR1C, CR1C) (K9K 772)	Diesel	FWD	1461	76	103	06.05-12.12	■	
1.5 dCi (BR0H, CR0H, CR1S, BR1S) (K9K 764)	Diesel	FWD	1461	78	106	06.05-12.14	■	
1.5 dCi (BR0H, CR0H, CR1S, BR1S) (K9K 774)	Diesel	FWD	1461	78	106	06.05-12.14	■	
CLIO III (SB_, SR_) 06.05-					Hatchback Van (LCVs-N1 Segment)			
1.2 (SR0J) (D4F 740)	Gasolina	FWD	1149	55	75	11.05-12.14	■	
1.2 (SR0P) (D4F 784)	Gasolina	FWD	1149	74	101	11.07-12.11	■	
1.2 Hi-Flex (SR1U) (D4F 742)	Gasol./Etanol	FWD	1149	58	79	11.07-12.09	■	
1.5 dCi (K9K 768)	Diesel	FWD	1461	50	68	10.05-07.10	■	
1.5 dCi	Diesel	FWD	1461	55	75	08.10-12.14	■	
1.5 dCi (K9K 766)	Diesel	FWD	1461	63	86	06.05-07.10	■	
1.5 dCi (SR1H) (K9K 770)	Diesel	FWD	1461	65	88	08.10-12.14	■	
1.5 dCi (K9K 764)	Diesel	FWD	1461	78	106	10.05-10.07	■	
CLIO III Grandtour (KR0/1_) 11.07-					Estate (Supermini car-B Segment)			
1.2 16V (KR02, KR0J) (D4F 740)	Gasolina	FWD	1149	55	75	02.08-12.14	■	
1.2 16V (KR0E) (D4F 764)	Gasolina	FWD	1149	58	78	11.07-12.14	■	
1.2 16V (KR0P) (D4F 784)	Gasolina	FWD	1149	74	101	11.07-12.12	■	
1.2 16V (D4F 786)	Gasolina	FWD	1149	76	103	03.10-12.12	■	
1.4 16V (K4J 780)	Gasolina	FWD	1390	72	98	11.07-12.12	■	
1.6 16V	Gasolina	FWD	1598	80	109	11.07-12.12	■	

LISTA DE APLICACIONES - BUYERS GUIDE

1.6 16V (KR0B) (K4M 800)		Gasolina	FWD	1598	82	112	11.07-12.12	■	
1.6 16V (KR0B) (K4M 801)		Gasolina	FWD	1598	82	112	11.07-12.12	■	
1.6 16V (KR10) (K4M 862)		Gasolina	FWD	1598	94	128	11.07-12.12	■	
1.2 16V Hi-Flex (KR0S) (D4F 740)		Gasol./Etanol	FWD	1149	55	75	07.08-12.14	■	
1.2 16V Hi-Flex (KR1U) (D4F 742)		Gasol./Etanol	FWD	1149	58	79	11.07-12.12	■	
1.5 dCi (K9K 752)		Diesel	FWD	1461	48	65	11.07-12.12	■	
1.5 dCi (K9K 770)		Diesel	FWD	1461	55	75	08.10-12.12	■	
1.5 dCi (K9K 770)		Diesel	FWD	1461	65	88	08.10-12.12	■	
1.5 dCi (K9K 772)		Diesel	FWD	1461	65	88	08.10-12.12	■	
1.5 dCi (KR1C, KR1N) (K9K 772)		Diesel	FWD	1461	76	103	11.07-12.12	■	
1.5 dCi (KR0H, KR1S) (K9K 764)		Diesel	FWD	1461	78	106	02.08-12.12	■	
1.5 dCi (KR0H, KR1S) (K9K 774)		Diesel	FWD	1461	78	106	02.08-12.12	■	
LOGAN II MCV / TONDAR (K8_) 11.13-					Estate (Compact car-C Segment)				
1.6 (K7M 812)		Gasolina	FWD	1598	59	80	12.13-	■	
1.5 dCi (K9K 838)		Diesel	FWD	1461	62	84	12.13-	■	
1.5 dCi		Diesel	FWD	1461	66	90	12.13-	■	
LOGAN EXPRESS / TONDAR (US_) 04.07-					Estate Van (Compact car-C Segment)				
1.6 (K7M 710)		Gasolina	FWD	1598	64	87	04.07-	■	
MEGANE (BA0/1_) 08.95-12.04					Hatchback (Compact car-C Segment)				
1.4 16V (BA0D, BA1H, BA0W, BA10) (K4J 714)	09/02-	Gasolina	FWD	1390	70	95	03.99-08.03	■	
1.4 16V (BA0D, BA1H, BA0W, BA10) (K4J 750)	09/02-	Gasolina	FWD	1390	70	95	03.99-08.03	■	
MEGANE Grandtour (KA0/1_) 03.99-08.03					Estate (Compact car-C Segment)				
1.4 e (KA0V) (E7J 626)		Gasolina	FWD	1390	55	75	03.99-08.03	■	
1.4 16V (KA0D, KA1H, KA0W, KA10) (K4J 714)		Gasolina	FWD	1390	70	95	03.99-08.03	■	
1.4 16V (KA0D, KA1H, KA0W, KA10) (K4J 750)		Gasolina	FWD	1390	70	95	03.99-08.03	■	
1.6 e (KA0F) (K7M 702)		Gasolina	FWD	1598	66	90	03.99-08.03	■	
1.6 e (KA0F) (K7M 703)		Gasolina	FWD	1598	66	90	03.99-08.03	■	
1.6 16V (KA0B, KA04, KA11) (K4M 700)		Gasolina	FWD	1598	79	107	03.99-08.03	■	
1.6 16V (KA0B, KA04, KA11) (K4M 701)		Gasolina	FWD	1598	79	107	03.99-08.03	■	
1.6 16V (KA0B, KA04, KA11) (K4M 708)		Gasolina	FWD	1598	79	107	03.99-08.03	■	
1.6 16V (KA0B, KA04, KA11) (K4M 709)		Gasolina	FWD	1598	79	107	03.99-08.03	■	
MEGANE Classic (LA0/1_) 09.96-08.08					Saloon (Compact car-C Segment)				
1.4 16V (LA0D, LA1H, IA0W, LA10) (K4J 714)	10/02-	Gasolina	FWD	1390	70	95	03.99-08.03	■	
1.4 16V (LA0D, LA1H, IA0W, LA10) (K4J 750)	10/02-	Gasolina	FWD	1390	70	95	03.99-08.03	■	
MEGANE II (EM0/1_) 09.03-03.10					Convertible (Compact car-C Segment)				
1.5 dCi (EM16) (K9K 734)		Diesel	FWD	1461	76	103	01.07-06.09	■	
1.5 dCi (EM1E) (K9K 732)		Diesel	FWD	1461	78	106	03.06-01.09	■	
MEGANE II (KM0/1_) 08.03-08.12					Estate (Compact car-C Segment)				
1.4 (K4J 730)		Gasolina	FWD	1390	72	98	08.03-07.09	■	
1.4 (K4J 740)		Gasolina	FWD	1390	72	98	08.03-07.09	■	
1.5 dCi (KM0F, KM0T, KM2B) (K9K 722)		Diesel	FWD	1461	60	82	08.03-05.06	■	
1.5 dCi (KM1F) (K9K 724)		Diesel	FWD	1461	63	86	05.05-07.09	■	
1.5 dCi (KM02, KM13) (K9K 728)		Diesel	FWD	1461	74	101	02.04-03.06	■	
1.5 dCi (KM02, KM13) (K9K 729)		Diesel	FWD	1461	74	101	02.04-03.06	■	
1.5 dCi (KM16) (K9K 734)		Diesel	FWD	1461	76	103	01.07-07.09	■	
1.5 dCi (KM16, KM1E) (K9K 732)		Diesel	FWD	1461	78	106	05.05-06.08	■	

LISTA DE APLICACIONES - BUYERS GUIDE

					Hatchback (Compact car-C Segment)				
MEGANE II (BM0/1_, CM0/1_) 07.01-10.12									
1.4 16V (K4J 732)		Gasolina	FWD	1390	60	82	10.03-02.08	■	
1.4 16V (BM0B, CM0B) (K4J 730)		Gasolina	FWD	1390	72	98	11.02-02.08	■	
1.4 16V (BM0B, CM0B) (K4J 740)		Gasolina	FWD	1390	72	98	11.02-02.08	■	
1.5 dCi (BM0F, BM0T, BM2B, CM0F, CM0T) (K9K 722)		Diesel	FWD	1461	60	82	09.02-02.08	■	
1.5 dCi (BM1F, CM1F) (K9K 724)		Diesel	FWD	1461	63	86	05.05-02.08	■	
1.5 dCi (BM02, BM13, BM2A, CM02, CM13) (K9K 728)		Diesel	FWD	1461	74	101	10.03-02.08	■	
1.5 dCi (BM02, BM13, BM2A, CM02, CM13) (K9K 729)		Diesel	FWD	1461	74	101	10.03-02.08	■	
1.5 dCi (BM16, CM16) (K9K 734)		Diesel	FWD	1461	76	103	01.07-03.09	■	
1.5 dCi (BM1E, CM1E) (K9K 732)		Diesel	FWD	1461	78	106	05.05-06.08	■	
MEGANE II (LM0/1_) 08.03-					Saloon (Compact car-C Segment)				
1.4 (K4J 732)		Gasolina	FWD	1390	60	82	09.03-	■	
1.4 (K4J 730)		Gasolina	FWD	1390	72	98	09.03-	■	
1.4 (K4J 740)		Gasolina	FWD	1390	72	98	09.03-	■	
1.5 dCi (LM0F, LM0T, LM2B) (K9K 722)		Diesel	FWD	1461	60	82	08.03-12.10	■	
1.5 dCi (LM1F) (K9K 724)		Diesel	FWD	1461	63	86	05.05-12.10	■	
1.5 dCi (LM02, LM13, LM2A) (K9K 728)		Diesel	FWD	1461	74	101	02.04-12.10	■	
1.5 dCi (LM02, LM13, LM2A) (K9K 729)		Diesel	FWD	1461	74	101	02.04-12.10	■	
1.5 dCi (LM16) (K9K 734)		Diesel	FWD	1461	76	103	10.03-12.10	■	
1.5 dCi (LM1E) (K9K 732)		Diesel	FWD	1461	78	106	05.05-12.10	■	
MEGANE Kombi van (KA_) 02.00-07.03					Estate Van (Compact car-C Segment)				
1.4 (KA0D) (K4J 714)		Gasolina	FWD	1390	70	95	04.01-07.03	■	
1.4 (KA0D) (K4J 750)		Gasolina	FWD	1390	70	95	04.01-07.03	■	
MODUS / GRAND MODUS (F/JP0_) 09.04-					Hatchback (Mini MPV-M1 Segment)				
1.2 (FP0C, FP0K, FP0P) (D4F 740)		Gasolina	FWD	1149	48	65	05.05-10.07	■	
1.2 (JP0C, JP0K, FP0C, FP0K, FP0P, JP0P, JP0T) (D4F 740)		Gasolina	FWD	1149	55	75	12.04-12.13	■	
1.2 (JP0S) (D4F 764)		Gasolina	FWD	1149	58	78	12.04-12.13	■	
1.2 16V (JP0W) (D4F 784)		Gasolina	FWD	1149	74	101	05.07-12.13	■	
1.2 (JP1E) (D4F 786)		Gasolina	FWD	1149	76	103	04.11-12.13	■	
1.4 (JP01, JP0J) (K4J 770)		Gasolina	FWD	1390	72	98	12.04-12.13	■	
1.4 (JP01, JP0J) (K4J 780)		Gasolina	FWD	1390	72	98	12.04-12.13	■	
1.6 (JP0L, JP0V) (K4M 794)		Gasolina	FWD	1598	65	88	12.04-10.07	■	
1.6 (JP03, JP0B, JP0U, JP0Y, JP1G) (K4M 790)		Gasolina	FWD	1598	82	112	12.04-12.13	■	
1.6 (JP03, JP0B, JP0U, JP0Y, JP1G) (K4M 791)		Gasolina	FWD	1598	82	112	12.04-12.13	■	
1.6 (JP03, JP0B, JP0U, JP0Y, JP1G) (K4M 800)		Gasolina	FWD	1598	82	112	12.04-12.13	■	
1.6 (JP03, JP0B, JP0U, JP0Y, JP1G) (K4M 801)		Gasolina	FWD	1598	82	112	12.04-12.13	■	
1.2 GPL (JP0R) (D4F 744)		Gasol./Gas (LPG)	FWD	1149	55	75	05.08-12.12	■	
1.2 16V Hi-Flex (D4F 740)		Gasol./Etanol	FWD	1149	55	75	10.08-12.13	■	
1.5 dCi (FP0E, JP0E) (K9K 752)		Diesel	FWD	1461	48	65	12.04-12.13	■	
1.5 dCi (FP0E, JP0E) (K9K 768)		Diesel	FWD	1461	48	65	12.04-12.13	■	
1.5 dCi (FP0G, JP0G) (K9K 768)		Diesel	FWD	1461	50	68	12.04-12.13	■	
1.5 dCi 75 (K9K 770)		Diesel	FWD	1461	55	75	10.10-12.13	■	
1.5 dCi (FP0D, JP0D) (K9K 750)		Diesel	FWD	1461	60	82	09.04-10.07	■	
1.5 dCi (FP0F, JP0F) (K9K 760)		Diesel	FWD	1461	63	86	12.04-12.13	■	
1.5 dCi (FP0F, JP0F) (K9K 766)		Diesel	FWD	1461	63	86	12.04-12.13	■	

LISTA DE APLICACIONES - BUYERS GUIDE

1.5 dCi 90 (K9K 750)	Diesel	FWD	1461	65	88	10.10-12.13	■
1.5 dCi 90 (K9K 770)	Diesel	FWD	1461	65	88	10.10-12.13	■
1.5 dCi (JP02) (K9K 772)	Diesel	FWD	1461	76	103	05.07-12.13	■
1.5 dCi (JP0G, JP0H) (K9K 764)	Diesel	FWD	1461	78	106	05.05-12.13	■
THALIA II / SYMBOL (LU_) 09.08-						Saloon (Supermini car-B Segment)	
1.2 16V (LU2V) (D4F 728)	Gasolina	FWD	1149	55	75	09.08-06.14	■
1.6	Gasolina	FWD	1598	66	90	01.09-05.12	■
1.6 16V (K4M 743)	Gasolina	FWD	1598	77	105	09.08-03.13	■
1.6 16V (LU1A, LU1B, LU1D, LU2M) (K4M 744)	Gasolina	FWD	1598	79	107	01.09-06.14	■
1.6 16V (LU1A, LU1B, LU1D, LU2M) (K4M 745)	Gasolina	FWD	1598	79	107	01.09-06.14	■
1.5 dCi (K9K 740)	Diesel	FWD	1461	47	64	09.08-06.14	■
1.5 dCi (K9K 700)	Diesel	FWD	1461	48	65	01.09-06.14	■
1.5 dCi (K9K 718)	Diesel	FWD	1461	62	85	09.08-12.12	■
1.5 dCi (K9K 834)	Diesel	FWD	1461	66	90	01.09-12.12	■