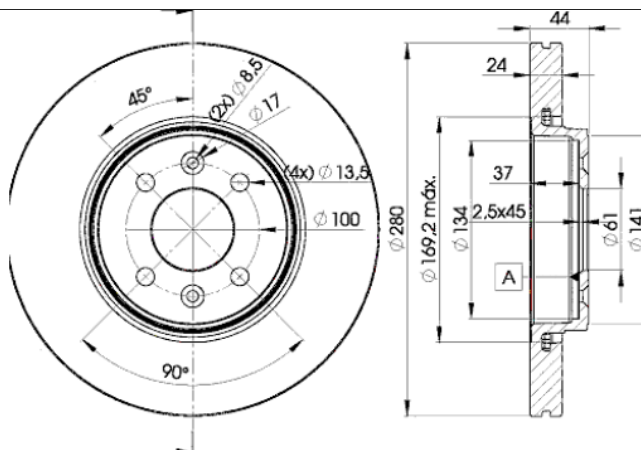


LISTA DE APLICACIONES - BUYERS GUIDE

78BD7829-2



Weight: 14.064



78BD7829-2

E1 90R-02C0433/0090



Ø280x24x44

MAKE

DACIA

RENAULT



Trac.	CC	Kw	CV
-------	----	----	----



Front / Rear

DACIA

								Pickup ()	
09.17-									
1.2 TCe 115		Gasolina	FWD	1197	85	115	09.17-12.21	■	
1.6 SCe 100		Gasolina	FWD	1598	75	102	09.17-12.21	■	
1.5 dCi 75		Diesel	FWD	1461	55	75	09.17-12.21	■	
1.5 dCi 90		Diesel	FWD	1461	66	90	09.17-12.21	■	

								MPV ()	
DOKKER (KE_) 11.12-									
1.5 dCi (KEMW) (K9K 612)		Diesel	FWD	1461	63	85	11.12-12.21	■	
1.5 dCi (KEMW) (K9K 830)		Diesel	FWD	1461	63	85	11.12-12.21	■	

								MPV (Compact MPV-M1 Segment)	
JOGGER (RK_) 09.21-									
1.0 TCe 110 (RKMD)		Gasolina	FWD	999	81	110	09.21-	■	
1.0 TCe 90 ECO-G (RKMT)		Gasol./Gas (LPG)	FWD	999	67	91	09.21-	■	
1.0 TCe 100 ECO-G (RKMT)		Gasol./Gas (LPG)	FWD	999	74	101	09.21-	■	
1.6 Hybrid 140 (RKN8)		Gasol./eléc.	FWD	1598	104	141	01.23-	■	

								MPV (Compact MPV-M1 Segment)	
LODGY (JS_) 03.12-									
1.5 dCi (JSMW) (K9K 612)		Diesel	FWD	1461	63	85	11.12-	■	
1.5 dCi (JSMW) (K9K 830)		Diesel	FWD	1461	63	85	11.12-	■	

RENAULT

								Hatchback (Mini SUV-J Segment)	
CAPTUR (J5_, H5_) 06.13-									
1.2 T (H5F 403)		Gasolina	FWD	1197	83	113	06.13-08.18	■	
1.2 T (H5F 403)		Gasolina	FWD	1197	85	116	06.15-08.18	■	
1.2 TCe 120 (H5F 408)		Gasolina	FWD	1197	87	118	01.16-08.18	■	

LISTA DE APLICACIONES - BUYERS GUIDE

1.2 TCe 120 (H5F 412)	Gasolina	FWD	1197	87	118	01.16-08.18	■
1.2 TCe 120 (H5F 403)	Gasolina	FWD	1197	88	120	06.13-12.18	■
1.2 TCe (J5AU) (H5F 408)	Gasolina	FWD	1197	97	132	02.18-12.18	■
1.3 TCe 130 (J5NJ, J5NE) (H5H 450)	Gasolina	FWD	1332	96	131	03.18-12.19	■
1.3 TCe 150 (J5NK, J5JS) (H5H 450)	Gasolina	FWD	1332	110	150	03.18-12.19	■
1.6 (J5JA, J5JY, H5JA) (H4M 750)	Gasolina	FWD	1598	84	114	02.18-06.23	■
1.5 dCi (J5MW) (K9K 830)	Diesel	FWD	1461	63	86	06.13-06.19	■
1.5 dCi 90 (J5N4, J5M5, J5MW, J5M6, J5AL, J5AJ) (K9K 608)	Diesel	FWD	1461	66	90	06.13-06.19	■
1.5 dCi 90 (J5N4, J5M5, J5MW, J5M6, J5AL, J5AJ) (K9K 609)	Diesel	FWD	1461	66	90	06.13-06.19	■
1.5 dCi 90 (J5N4, J5M5, J5MW, J5M6, J5AL, J5AJ) (K9K 628)	Diesel	FWD	1461	66	90	06.13-06.19	■
1.5 dCi 90 (J5N4, J5M5, J5MW, J5M6, J5AL, J5AJ) (K9K 629)	Diesel	FWD	1461	66	90	06.13-06.19	■
1.5 dCi 90 (J5N4, J5M5, J5MW, J5M6, J5AL, J5AJ) (K9K 838)	Diesel	FWD	1461	66	90	06.13-06.19	■
1.5 dCi 110 (K9K 646)	Diesel	FWD	1461	81	110	01.15-09.18	■
1.5 dCi 110 (K9K 856)	Diesel	FWD	1461	81	110	01.15-09.18	■
CLIO II (BB_, CB_) 03.98-						Hatchback (Supermini car-B Segment)	
2.0 16V Sport (CB0M) (F4R 730)	Gasolina	FWD	1998	124	169	02.00-06.09	■
2.0 16V Sport (CB0M) (F4R 736)	Gasolina	FWD	1998	124	169	02.00-06.09	■
2.0 16V (CB0M, CB1G)	Gasolina	FWD	1998	126	172	06.01-05.05	■
2.0 16V Sport (F4R 738)	Gasolina	FWD	1998	132	179	01.04-04.05	■
CLIO II / EURO CLIO (BR0/1, CR0/1) 01.05-						Hatchback (Supermini car-B Segment)	
1.2 16V (D4F 764)	Gasolina	FWD	1149	43	58	06.06-08.10	■
1.2 16V (D4F 786)	Gasolina	FWD	1149	76	103	09.10-12.14	■
1.6	Gasolina	FWD	1598	79	107	09.05-12.10	■
1.6 16V GT (BR10, CR10) (K4M 862)	Gasolina	FWD	1598	94	128	06.09-12.14	■
2.0 16V (BR0C, BR0K, CR0C, CR0K) (M4R 700)	Gasolina	FWD	1997	102	139	09.06-12.14	■
2.0 16V (BR0C, BR0K, CR0C, CR0K) (M4R 701)	Gasolina	FWD	1997	102	139	09.06-12.14	■
1.2 Ethanol (CR1U, BR1U) (D4F 742)	Gasol./Etanol	FWD	1149	55	75	07.08-12.12	■
1.5 dCi (K9K 770)	Diesel	FWD	1461	55	75	08.10-12.14	■
1.5 dCi (K9K 766)	Diesel	FWD	1461	65	88	08.10-12.14	■
1.5 dCi (K9K 770)	Diesel	FWD	1461	65	88	08.10-12.14	■
CLIO III (SB_, SR_) 06.05-						Hatchback Van (LCVs-N1 Segment)	
1.2 (SR0J) (D4F 740)	Gasolina	FWD	1149	55	75	11.05-12.14	■
1.2 (SR0P) (D4F 784)	Gasolina	FWD	1149	74	101	11.07-12.11	■
1.2 Hi-Flex (SR1U) (D4F 742)	Gasol./Etanol	FWD	1149	58	79	11.07-12.09	■
1.5 dCi (K9K 768)	Diesel	FWD	1461	50	68	10.05-07.10	■
1.5 dCi	Diesel	FWD	1461	55	75	08.10-12.14	■
1.5 dCi (K9K 766)	Diesel	FWD	1461	63	86	06.05-07.10	■
1.5 dCi (SR1H) (K9K 770)	Diesel	FWD	1461	65	88	08.10-12.14	■
1.5 dCi (K9K 764)	Diesel	FWD	1461	78	106	10.05-10.07	■
CLIO III Grandtour (KR0/1_) 11.07-						Estate (Supermini car-B Segment)	
1.5 dCi (KR0G) (K9K 714)	Diesel	FWD	1461	50	68	11.07-12.12	■
1.5 dCi (KR0G) (K9K 768)	Diesel	FWD	1461	50	68	11.07-12.12	■
1.5 dCi (KR0F) (K9K 766)	Diesel	FWD	1461	63	86	11.07-12.12	■
CLIO V (B7_) 06.19-						Hatchback (Supermini car-B Segment)	
1.0 TCe 90 (B7MT)	Gasolina	FWD	999	67	91	08.20-	■

LISTA DE APLICACIONES - BUYERS GUIDE

1.0 TCe 100 (B7MT) (H4D 450)		Gasolina	FWD	999	74	101	06.19-	■
1.0 TCe 100 (B7MT) (H4D 452)		Gasolina	FWD	999	74	101	06.19-	■
1.0 TCe 100 (B7MT) (H4D 460)		Gasolina	FWD	999	74	101	06.19-	■
1.0 TCe 100 (B7MT) (H4D 472)		Gasolina	FWD	999	74	101	06.19-	■
1.3 TCe 130 (B7MF) (H5H 450)		Gasolina	FWD	1332	96	131	06.19-	■
1.3 TCe 130 (B7MF) (H5H 470)		Gasolina	FWD	1332	96	131	06.19-	■
1.3 TCe 140 (B7N0)		Gasolina	FWD	1332	103	140	09.20-	■
1.0 LPG (B7MT)		Gasol./Gas (LPG)	FWD	999	67	91	11.21-	■
1.0 LPG (B7MT) (H4D 450)		Gasol./Gas (LPG)	FWD	999	74	101	06.19-	■
1.0 LPG (B7MT) (H4D 452)		Gasol./Gas (LPG)	FWD	999	74	101	06.19-	■
1.0 LPG (B7MT) (H4D 460)		Gasol./Gas (LPG)	FWD	999	74	101	06.19-	■
1.0 LPG (B7MT) (H4D 472)		Gasol./Gas (LPG)	FWD	999	74	101	06.19-	■
1.6 E-TECH 140 (B7MU) (H4M 630)		Gasol./eléc.	FWD	1598	103	140	03.20-	■
1.6 E-TECH 145 (B7MU)		Gasol./eléc.	FWD	1598	105	143	01.22-	■
1.5 Blue dCi 85 (B7AG) (K9K 854)		Diesel	FWD	1461	63	86	06.19-	■
1.5 Blue dCi 85 (B7AG) (K9K 872)		Diesel	FWD	1461	63	86	06.19-	■
1.5 Blue dCi 100 (B7AD)		Diesel	FWD	1461	74	101	11.21-	■
1.5 Blue dCi 115 (B7AD) (K9K 854)		Diesel	FWD	1461	85	116	06.19-	■
1.5 Blue dCi 115 (B7AD) (K9K 862)		Diesel	FWD	1461	85	116	06.19-	■
1.5 Blue dCi 115 (B7AD) (K9K 872)		Diesel	FWD	1461	85	116	06.19-	■
GRAND SCÉNIC II (JM0/1_) 04.04-					MPV (Compact MPV-M1 Segment)			
1.6 (K4M 788)		Gasolina	FWD	1598	77	105	06.06-11.08	■
1.6 (K4M 761)		Gasolina	FWD	1598	83	113	04.04-08.06	■
1.6 (K4M 782)		Gasolina	FWD	1598	83	113	04.04-08.06	■
KANGOO (KC0/1_) 08.97-					MPV (Mini MPV-M1 Segment)			
1.6 16V 4x4 (KC0P, KC0S, KC0L) (K4M 750)		Gasolina	4WD	1598	70	95	10.01-	■
1.6 16V 4x4 (KC0P, KC0S, KC0L) (K4M 752)		Gasolina	4WD	1598	70	95	10.01-	■
1.6 16V 4x4 (KC0P, KC0S, KC0L) (K4M 753)		Gasolina	4WD	1598	70	95	10.01-	■
1.9 dCi 4x4 (KC0V) (F9Q 782)		Diesel	4WD	1870	59	80	10.01-	■
1.9 dCi 4x4 (KC0V) (F9Q 790)		Diesel	4WD	1870	59	80	10.01-	■
1.9 dCi 4x4 (F9Q 790)		Diesel	4WD	1870	62	84	10.03-	■
KANGOO EXPRESS (FC0/1_) 08.97-					Box Body/MPV (LCVs-N1 Segment)			
1.6 16V 4x4 (FC0L, FC0P, FC0S) (K4M 750)		Gasolina	4WD	1598	70	95	10.01-	■
1.6 16V 4x4 (FC0L, FC0P, FC0S) (K4M 752)		Gasolina	4WD	1598	70	95	10.01-	■
1.6 16V 4x4 (FC0L, FC0P, FC0S) (K4M 753)		Gasolina	4WD	1598	70	95	10.01-	■
1.9 dCi 4x4 (FC0V) (F9Q 782)		Diesel	4WD	1870	59	80	10.01-	■
1.9 dCi 4x4 (FC0V) (F9Q 790)		Diesel	4WD	1870	59	80	10.01-	■
1.9 dCi 4x4 (FC0V) (F9Q 790)		Diesel	4WD	1870	62	84	07.03-	■
LAGUNA I (B56_, 556_) 11.93-08.02					Hatchback (Large family car-D Segment)			
1.6 16V (B568, B561) (K4M 720)	-10/00	Gasolina	FWD	1598	79	107	11.97-03.01	■
1.6 16V (B568, B561) (K4M 724)	-10/00	Gasolina	FWD	1598	79	107	11.97-03.01	■
1.8 16V (B563, B564) (F4P 760)	-12/00, RimHo 4	Gasolina	FWD	1783	88	120	04.98-03.01	■
1.8 16V (B563, B564) (F4P 770)	-12/00, RimHo 4	Gasolina	FWD	1783	88	120	04.98-03.01	■
2.0		Gasolina	FWD	1994	70	95	11.93-03.01	■
2.0 (F3R 611)		Gasolina	FWD	1998	80	109	03.99-03.01	■
2.0 (B56C/H/N) (F3R 722)		Gasolina	FWD	1998	83	113	11.93-03.01	■
2.0 (B56C/H/N) (F3R 723)		Gasolina	FWD	1998	83	113	11.93-03.01	■

LISTA DE APLICACIONES - BUYERS GUIDE

2.0 (F3R 722)		Gasolina	FWD	1998	84	114	06.95-02.01	■	
2.0 (F3R 768)		Gasolina	FWD	1998	84	114	06.95-02.01	■	
2.9 24V (B56V)		Gasolina	FWD	2946	140	190	03.97-03.01	■	
3.0 24V (B56V) (L7X 700)	10/99-, -12/00	Gasolina	FWD	2946	140	190	03.97-03.01	■	
3.0 24V (B56V) (L7X 701)	10/99-, -12/00	Gasolina	FWD	2946	140	190	03.97-03.01	■	
1.9 dTi (B56J) (F9Q 710)		Diesel	FWD	1870	72	98	10.97-03.01	■	
1.9 dTi (B56J) (F9Q 716)		Diesel	FWD	1870	72	98	10.97-03.01	■	
1.9 dTi (B56J) (F9Q 717)		Diesel	FWD	1870	72	98	10.97-03.01	■	
1.9 dCi (B56W) (F9Q 718)	RimHo 4	Diesel	FWD	1870	79	107	09.99-03.01	■	
2.2 dT (B569) (G8T 760)	10/99-	Diesel	FWD	2188	83	113	03.96-03.01	■	
LAGUNA I Grandtour (K56_) 09.95-08.02					Estate (Large family car-D Segment)				
1.6 16V (K568) (K4M 720)	-12/00	Gasolina	FWD	1598	79	107	11.97-03.01	■	
1.6 16V (K568) (K4M 724)	-12/00	Gasolina	FWD	1598	79	107	11.97-03.01	■	
1.8 16V (K563, K564) (F4P 760)	06/98-, -10/00	Gasolina	FWD	1783	88	120	04.98-03.01	■	
1.8 (K56S/T/0) (F3P 670)	06/98-, -10/00	Gasolina	FWD	1794	66	90	09.95-03.01	■	
1.8 (K56S/T/0) (F3P 678)	06/98-, -10/00	Gasolina	FWD	1794	66	90	09.95-03.01	■	
1.8 (K56Z) (F3P 678)	06/98-, -10/00	Gasolina	FWD	1794	69	94	09.95-03.01	■	
1.8 (K56Z) (F3P 720)	06/98-, -10/00	Gasolina	FWD	1794	69	94	09.95-03.01	■	
1.8 (K56Z) (F3P 724)	06/98-, -10/00	Gasolina	FWD	1794	69	94	09.95-03.01	■	
2.0 (K56C/H) (F3R 722)		Gasolina	FWD	1998	83	113	09.95-03.01	■	
2.0 (K56C/H) (F3R 723)		Gasolina	FWD	1998	83	113	09.95-03.01	■	
2.0 (F3R 728)		Gasolina	FWD	1998	84	114	10.98-01.01	■	
2.0 (F3R 768)		Gasolina	FWD	1998	84	114	10.98-01.01	■	
3.0 24V (K56V) (L7X 700)	05/98-, -12/00	Gasolina	FWD	2946	140	190	03.97-03.01	■	
3.0 24V (K56V) (L7X 701)	05/98-, -12/00	Gasolina	FWD	2946	140	190	03.97-03.01	■	
1.9 dTi (K56J) (F9Q 710)	-12/00	Diesel	FWD	1870	72	98	10.97-03.01	■	
1.9 dTi (K56J) (F9Q 716)	-12/00	Diesel	FWD	1870	72	98	10.97-03.01	■	
1.9 dTi (K56J) (F9Q 717)	-12/00	Diesel	FWD	1870	72	98	10.97-03.01	■	
1.9 dCi (K56W) (F9Q 718)	-12/00, vehicles with ABS	Diesel	FWD	1870	79	107	09.99-03.01	■	
MEGANE (EA0/1_) 10.96-08.03					Convertible (Compact car-C Segment)				
1.4 16V (EA0D, EA1H, EA0W, EA10) (K4J 714)	vehicles with ESP	Gasolina	FWD	1390	70	95	03.99-08.03	■	
1.4 16V (EA0D, EA1H, EA0W, EA10) (K4J 750)	vehicles with ESP	Gasolina	FWD	1390	70	95	03.99-08.03	■	
1.6 16V (EA04, EA0B, EA11, EA1J) (K4M 700)	vehicles without ESP	Gasolina	FWD	1598	79	107	03.99-07.03	■	
1.6 16V (EA04, EA0B, EA11, EA1J) (K4M 701)	vehicles without ESP	Gasolina	FWD	1598	79	107	03.99-07.03	■	
1.6 16V (EA04, EA0B, EA11, EA1J) (K4M 708)	vehicles without ESP	Gasolina	FWD	1598	79	107	03.99-07.03	■	
1.6 16V (EA04, EA0B, EA11, EA1J) (K4M 709)	vehicles without ESP	Gasolina	FWD	1598	79	107	03.99-07.03	■	
2.0 i (EA0G) (F3R 791)		Gasolina	FWD	1998	80	109	03.99-08.03	■	
2.0 i (EA0G) (F3R 796)		Gasolina	FWD	1998	80	109	03.99-08.03	■	
2.0 16V (F4R 746)		Gasolina	FWD	1998	102	139	01.02-08.03	■	
2.0 16V (F4R 770)		Gasolina	FWD	1998	102	139	01.02-08.03	■	
2.0 16V IDE (EA03, EA0P, EA14) (F5R 740)		Gasolina	FWD	1998	103	140	11.99-08.03	■	
2.0 16V (EA0H) (F7R 710)	10/98-	Gasolina	FWD	1998	108	147	10.96-11.99	■	
2.0 16V (EA0H) (F7R 714)	10/98-	Gasolina	FWD	1998	108	147	10.96-11.99	■	
MEGANE (BA0/1_) 08.95-12.04					Hatchback (Compact car-C Segment)				
1.6 16V (BA04, BA0B, BA11, BA1J, BA16, BA19, BA1K, BA1V,...) (K4M 700)	vehicles with ABS	Gasolina	FWD	1598	79	107	03.99-08.02	■	
1.6 16V (BA04, BA0B, BA11, BA1J, BA16, BA19, BA1K, BA1V,...) (K4M 701)	vehicles with ABS	Gasolina	FWD	1598	79	107	03.99-08.02	■	
1.6 16V (BA04, BA0B, BA11, BA1J, BA16, BA19, BA1K, BA1V,...) (K4M 706)	vehicles with ABS	Gasolina	FWD	1598	79	107	03.99-08.02	■	
1.6 16V (BA04, BA0B, BA11, BA1J, BA16, BA19, BA1K, BA1V,...) (K4M 708)	vehicles with ABS	Gasolina	FWD	1598	79	107	03.99-08.02	■	

LISTA DE APLICACIONES - BUYERS GUIDE

1.6 16V (BA04, BA0B, BA11, BA1J, BA16, BA19, BA1K, BA1V,... (K4M 709)	vehicles with ABS	Gasolina	FWD	1598	79	107	03.99-08.02	■	
1.6 16V	vehicles with ABS	Gasolina	FWD	1598	81	110	11.01-12.08	■	
1.8 16V (BA06, BA12, BA1A, BA1M, BA1R) (F4P 720)	-08/02	Gasolina	FWD	1783	85	115	01.01-08.03	■	
1.8 16V (BA06, BA12, BA1A, BA1M, BA1R) (F4P 722)	-08/02	Gasolina	FWD	1783	85	115	01.01-08.03	■	
2.0 i (F3R 750)		Gasolina	FWD	1998	80	109	03.99-08.03	■	
2.0 i (F3R 751)		Gasolina	FWD	1998	80	109	03.99-08.03	■	
2.0 16V (BA0H) (F7R 710)	10/98-	Gasolina	FWD	1998	108	147	07.96-08.03	■	
2.0 16V (BA0H) (F7R 714)	10/98-	Gasolina	FWD	1998	108	147	07.96-08.03	■	
1.6 LPG (K4M 704)		Gasol./Gas (LPG)	FWD	1598	80	109	10.00-08.02	■	
1.6 LPG (K4M 712)		Gasol./Gas (LPG)	FWD	1598	80	109	10.00-08.02	■	
1.9 dTi (BA1U) (F9Q 744)		Diesel	FWD	1870	59	80	02.01-08.03	■	
1.9 DTI (F9Q 730)		Diesel	FWD	1870	60	82	02.00-09.00	■	
1.9 dTi (BA08, BA0N) (F9Q 730)	05/99-	Diesel	FWD	1870	72	98	03.97-02.01	■	
1.9 dTi (BA08, BA0N) (F9Q 731)	05/99-	Diesel	FWD	1870	72	98	03.97-02.01	■	
1.9 dTi (BA08, BA0N) (F9Q 734)	05/99-	Diesel	FWD	1870	72	98	03.97-02.01	■	
1.9 dTi (BA08, BA0N) (F9Q 736)	05/99-	Diesel	FWD	1870	72	98	03.97-02.01	■	
1.9 dCi (BA05, BA1F) (F9Q 732)	-08/02	Diesel	FWD	1870	75	102	02.01-08.03	■	
1.9 dCi (BA05, BA1F) (F9Q 733)	-08/02	Diesel	FWD	1870	75	102	02.01-08.03	■	
1.9 DT (F8Q 784)		Diesel	FWD	1870	76	104	08.98-10.99	■	
1.9 dCi (F9Q 732)		Diesel	FWD	1870	77	105	03.99-08.03	■	
1.9 dCi (F9Q 738)		Diesel	FWD	1870	77	105	03.99-08.03	■	
MEGANE Grandtour (KA0/1_) 03.99-08.03							Estate (Compact car-C Segment)		
1.6 BiFuel	vehicles with ABS	Gasolina	FWD	1598	79	107	04.01-07.03	■	
1.8 16V (KA0S, KA12, KA1A, KA1M, KA1R) (F4P 720)		Gasolina	FWD	1783	85	115	01.01-08.03	■	
1.8 16V (KA0S, KA12, KA1A, KA1M, KA1R) (F4P 722)		Gasolina	FWD	1783	85	115	01.01-08.03	■	
1.6 BiFuel (K4M 704)		Gasol./Gas (LPG)	FWD	1598	80	109	03.99-09.00	■	
1.9 dTi (KA1U) (F9Q 744)		Diesel	FWD	1870	59	80	02.01-08.03	■	
1.9 dTi (KA0N) (F9Q 731)		Diesel	FWD	1870	72	98	03.99-02.01	■	
1.9 dTi (KA0N) (F9Q 736)		Diesel	FWD	1870	72	98	03.99-02.01	■	
1.9 dCi (KA05, KA1F) (F9Q 732)	-07/03	Diesel	FWD	1870	75	102	02.01-08.03	■	
1.9 dCi (KA05, KA1F) (F9Q 733)	-07/03	Diesel	FWD	1870	75	102	02.01-08.03	■	
1.9 dCi (KA05, KA1F) (F9Q 738)	-07/03	Diesel	FWD	1870	75	102	02.01-08.03	■	
1.9 dCi (F9Q 732)		Diesel	FWD	1870	77	105	03.99-09.00	■	
MEGANE Classic (LA0/1_) 09.96-08.08							Saloon (Compact car-C Segment)		
1.6 16V (LA00, LA04, LA0B, LA11, LA16, LA19, LA1J, LA1K,... (K4M 700)	09/02-, vehicles with ABS	Gasolina	FWD	1598	79	107	03.99-07.03	■	
1.6 16V (LA00, LA04, LA0B, LA11, LA16, LA19, LA1J, LA1K,... (K4M 701)	09/02-, vehicles with ABS	Gasolina	FWD	1598	79	107	03.99-07.03	■	
1.6 16V (LA00, LA04, LA0B, LA11, LA16, LA19, LA1J, LA1K,... (K4M 706)	09/02-, vehicles with ABS	Gasolina	FWD	1598	79	107	03.99-07.03	■	
1.6 16V (LA00, LA04, LA0B, LA11, LA16, LA19, LA1J, LA1K,... (K4M 708)	09/02-, vehicles with ABS	Gasolina	FWD	1598	79	107	03.99-07.03	■	
1.6 16V (LA00, LA04, LA0B, LA11, LA16, LA19, LA1J, LA1K,... (K4M 709)	09/02-, vehicles with ABS	Gasolina	FWD	1598	79	107	03.99-07.03	■	
1.6 16V	vehicles with ABS	Gasolina	FWD	1598	81	110	09.99-12.01	■	
1.8 16V (LA06, LA12, LA1A, LA1M, LA1R) (F4P 720)	-09/02	Gasolina	FWD	1783	85	115	01.01-08.03	■	
1.8 16V (LA06, LA12, LA1A, LA1M, LA1R) (F4P 722)	-09/02	Gasolina	FWD	1783	85	115	01.01-08.03	■	
2.0 i (LA0G) (F3R 750)		Gasolina	FWD	1998	80	109	03.99-08.03	■	
2.0 i (LA0G) (F3R 751)		Gasolina	FWD	1998	80	109	03.99-08.03	■	

LISTA DE APLICACIONES - BUYERS GUIDE

2.0 i (LA0G) (F3R 752)		Gasolina	FWD	1998	80	109	03.99-08.03	■
2.0 i (LA0G) (F3R 791)		Gasolina	FWD	1998	80	109	03.99-08.03	■
2.0 i (LA0G) (F3R 796)		Gasolina	FWD	1998	80	109	03.99-08.03	■
2.0 i (LA0G) (F3R 797)		Gasolina	FWD	1998	80	109	03.99-08.03	■
2.0 i (LA0G) (F3R 798)		Gasolina	FWD	1998	80	109	03.99-08.03	■
2.0 RT (F4R 747)		Gasolina	FWD	1998	103	140	03.01-08.03	■
2.0 RT (F5R 740)		Gasolina	FWD	1998	103	140	03.01-08.03	■
1.9 dTi (LA1U) (F9Q 744)		Diesel	FWD	1870	59	80	02.01-08.03	■
1.9 dCi (LA05, LA1F) (F9Q 732)	-09/02	Diesel	FWD	1870	75	102	02.01-08.03	■
1.9 dCi (LA05, LA1F) (F9Q 733)	-09/02	Diesel	FWD	1870	75	102	02.01-08.03	■
1.9 dCi (LA05, LA1F) (F9Q 738)	-09/02	Diesel	FWD	1870	75	102	02.01-08.03	■
1.9 DT (F8Q 784)		Diesel	FWD	1870	76	104	08.98-10.99	■
1.9 dCi (LA05) (F9Q 732)		Diesel	FWD	1870	77	105	03.99-07.03	■
1.9 dCi (LA05) (F9Q 733)		Diesel	FWD	1870	77	105	03.99-07.03	■
MEGANE Coach (DA0/1_) 03.96-08.03					Coupe (Compact car-C Segment)			
1.4 16V (DA0D, DA1H, DA0W, DA10) (K4J 700)	10/00-	Gasolina	FWD	1390	70	95	03.99-07.03	■
1.4 16V (DA0D, DA1H, DA0W, DA10) (K4J 714)	10/00-	Gasolina	FWD	1390	70	95	03.99-07.03	■
1.4 16V (DA0D, DA1H, DA0W, DA10) (K4J 750)	10/00-	Gasolina	FWD	1390	70	95	03.99-07.03	■
1.6 16V (DA0B, DA04, DA11) (K4M 700)	vehicles without ESP	Gasolina	FWD	1598	79	107	03.99-07.03	■
1.6 16V (DA0B, DA04, DA11) (K4M 701)	vehicles without ESP	Gasolina	FWD	1598	79	107	03.99-07.03	■
1.6 16V (DA0B, DA04, DA11) (K4M 708)	vehicles without ESP	Gasolina	FWD	1598	79	107	03.99-07.03	■
1.6 16V (DA0B, DA04, DA11) (K4M 709)	vehicles without ESP	Gasolina	FWD	1598	79	107	03.99-07.03	■
2.0 i (F3R 791)		Gasolina	FWD	1998	80	109	03.99-08.03	■
2.0 i (F3R 796)		Gasolina	FWD	1998	80	109	03.99-08.03	■
2.0 16V (F4R 746)	-07/03	Gasolina	FWD	1998	102	139	01.02-08.03	■
2.0 16V IDE (DA03, DA0P, DA14) (F5R 740)		Gasolina	FWD	1998	103	140	11.99-08.03	■
2.0 16V (DA0H) (F7R 710)	10/98-	Gasolina	FWD	1998	108	147	03.96-11.99	■
2.0 16V (DA0H) (F7R 714)	10/98-	Gasolina	FWD	1998	108	147	03.96-11.99	■
1.9 dTi (DA0N) (F9Q 731)	-04/99	Diesel	FWD	1870	72	98	03.97-02.01	■
1.9 dTi (DA0N) (F9Q 734)	-04/99	Diesel	FWD	1870	72	98	03.97-02.01	■
1.9 dTi (DA0N) (F9Q 736)	-04/99	Diesel	FWD	1870	72	98	03.97-02.01	■
1.9 dCi (DA05, DA1F) (F9Q 732)		Diesel	FWD	1870	75	102	02.01-08.03	■
1.9 dCi (DA05, DA1F) (F9Q 733)		Diesel	FWD	1870	75	102	02.01-08.03	■
1.9 dCi (F9Q 732)		Diesel	FWD	1870	77	105	03.99-09.00	■
1.9 dCi (F9Q 733)		Diesel	FWD	1870	77	105	03.99-09.00	■
MEGANE Hatchback Van (SA0/1_) 08.95-07.03					Hatchback Van (Compact car-C Segment)			
1.9 dCi (F9Q 738)		Diesel	FWD	1870	59	80	10.00-07.03	■
MEGANE II (EM0/1_) 09.03-03.10					Convertible (Compact car-C Segment)			
1.6 (K4M 788)		Gasolina	FWD	1598	77	105	06.05-03.09	■
1.6 16V (K4M 760)		Gasolina	FWD	1598	82	112	01.06-06.08	■
1.6 16V (K4M 761)		Gasolina	FWD	1598	82	112	01.06-06.08	■
1.6 16V (K4M 812)		Gasolina	FWD	1598	82	112	01.06-06.08	■
1.6 16V (K4M 813)		Gasolina	FWD	1598	82	112	01.06-06.08	■
1.6 (K4M 760)		Gasolina	FWD	1598	83	113	09.03-03.09	■
1.6 (K4M 761)		Gasolina	FWD	1598	83	113	09.03-03.09	■
2.0 (F4R 770)		Gasolina	FWD	1998	99	135	09.03-12.09	■
2.0 (F4R 771)		Gasolina	FWD	1998	99	135	09.03-12.09	■
2.0 (EM0S) (F4R 770)		Gasolina	FWD	1998	102	139	09.03-02.07	■
2.0 (EM0S) (F4R 771)		Gasolina	FWD	1998	102	139	09.03-02.07	■

LISTA DE APLICACIONES - BUYERS GUIDE

2.0 16V Turbo (F4R 776)		Gasolina	FWD	1998	120	163	05.04-03.09	■	
1.9 dCi (F9Q 804)		Diesel	FWD	1870	81	110	05.05-03.09	■	
1.9 dCi (F9Q 816)		Diesel	FWD	1870	81	110	05.05-03.09	■	
1.9 dCi (F9Q 818)		Diesel	FWD	1870	81	110	05.05-03.09	■	
1.9 dCi (F9Q 804)		Diesel	FWD	1870	85	115	09.03-03.09	■	
1.9 dCi (F9Q 816)		Diesel	FWD	1870	85	115	09.03-03.09	■	
1.9 dCi (F9Q 818)		Diesel	FWD	1870	85	115	09.03-03.09	■	
1.9 dCi (F9Q 800)		Diesel	FWD	1870	88	120	09.03-03.09	■	
1.9 dCi (F9Q 803)		Diesel	FWD	1870	96	131	05.05-02.07	■	
1.9 dCi (F9Q 804)		Diesel	FWD	1870	96	131	05.05-02.07	■	
2.0 dCi (M9R 700)		Diesel	FWD	1995	110	150	09.05-03.09	■	
2.0 dCi (M9R 722)		Diesel	FWD	1995	110	150	09.05-03.09	■	
MEGANE II (KM_) 08.03-07.09							Estate Van (Compact car-C Segment)		
1.6 (KM0C) (K4M 780)		Gasolina	FWD	1598	82	111	10.03-01.08	■	
1.5 dCi (KM0F) (K9K 722)		Diesel	FWD	1461	60	82	08.03-07.09	■	
1.5 dCi (KM1F) (K9K 724)		Diesel	FWD	1461	63	86	05.05-07.09	■	
1.5 dCi (KM02) (K9K 728)		Diesel	FWD	1461	74	101	08.03-07.09	■	
1.5 dCi (KM1E) (K9K 732)		Diesel	FWD	1461	78	106	08.03-07.09	■	
1.9 dCi (KM14) (F9Q E 804)		Diesel	FWD	1870	96	131	02.06-10.06	■	
MEGANE II (KM0/1_) 08.03-08.12							Estate (Compact car-C Segment)		
1.6 16V (K4M 768)		Gasolina	FWD	1598	75	102	05.05-07.09	■	
1.6 16V (K4M 762)		Gasolina	FWD	1598	77	105	05.05-07.09	■	
1.6 16V (K4M 762)		Gasolina	FWD	1598	81	110	05.06-10.11	■	
1.6 16V (K4M 760)		Gasolina	FWD	1598	82	112	01.06-08.09	■	
1.6 16V (K4M 761)		Gasolina	FWD	1598	82	112	01.06-08.09	■	
1.6 16V (K4M 812)		Gasolina	FWD	1598	82	112	01.06-08.09	■	
1.6 16V (K4M 813)		Gasolina	FWD	1598	82	112	01.06-08.09	■	
1.6 (K4M 760)		Gasolina	FWD	1598	83	113	08.03-07.09	■	
1.6 (K4M 761)		Gasolina	FWD	1598	83	113	08.03-07.09	■	
2.0 (F4R 770)		Gasolina	FWD	1998	99	135	08.03-07.09	■	
2.0 (F4R 771)		Gasolina	FWD	1998	99	135	08.03-07.09	■	
2.0 (KM0S, KM2N, KM23) (F4R 770)		Gasolina	FWD	1998	102	138	12.06-01.11	■	
2.0 (KM0S, KM2N, KM23) (F4R 771)		Gasolina	FWD	1998	102	138	12.06-01.11	■	
1.6 LPG 16V (K4M 760)		Gasol./Gas (LPG)	FWD	1598	82	112	01.06-08.09	■	
1.6 16V Hi-Flex (K4M 856)		Gasol./Etanol	FWD	1598	77	105	02.08-07.09	■	
1.6 Flex		Gasol./Etanol	FWD	1598	81	110	12.06-08.12	■	
1.6 Flex (KM2E, KM2M, KM24, KM26)		Gasol./Etanol	FWD	1598	85	115	11.06-08.12	■	
1.9 dCi (F9Q 808)		Diesel	FWD	1870	66	90	04.04-12.05	■	
1.9 dCi (F9Q 808)		Diesel	FWD	1870	68	92	03.04-02.07	■	
1.9 dCi (F9Q 804)		Diesel	FWD	1870	81	110	05.05-07.09	■	
1.9 dCi (F9Q 818)		Diesel	FWD	1870	81	110	05.05-07.09	■	
1.9 dCi (KM14) (F9Q 818)		Diesel	FWD	1870	85	115	05.05-07.09	■	
1.9 dCi (KMRG, KM1G, KM0G, KM2C) (F9Q 800)		Diesel	FWD	1870	88	120	08.03-07.09	■	
1.9 dCi (KM14) (F9Q 803)		Diesel	FWD	1870	96	131	05.05-07.09	■	
1.9 dCi (KM14) (F9Q 804)		Diesel	FWD	1870	96	131	05.05-07.09	■	
2.0 dCi (M9R 700)		Diesel	FWD	1995	110	150	09.05-07.09	■	
2.0 dCi (M9R 722)		Diesel	FWD	1995	110	150	09.05-07.09	■	

LISTA DE APLICACIONES - BUYERS GUIDE

MEGANE II (BM0/1_, CM0/1_) 07.01-10.12					Hatchback (Compact car-C Segment)			
1.6 (K4M 788)		Gasolina	FWD	1598	77	105	06.05-02.08	■
1.6		Gasolina	FWD	1598	79	107	05.06-01.11	■
1.6 16V (K4M 760)		Gasolina	FWD	1598	82	112	01.06-06.08	■
1.6 16V (K4M 812)		Gasolina	FWD	1598	82	112	01.06-06.08	■
1.6 16V (K4M 813)		Gasolina	FWD	1598	82	112	01.06-06.08	■
1.6 16V (BM0C, CM0C) (K4M 760)	-05/05	Gasolina	FWD	1598	83	113	11.02-02.08	■
2.0 16V (BM0U, CM0U) (F4R 770)		Gasolina	FWD	1998	99	135	11.02-02.08	■
2.0 16V Turbo (F4R 776)		Gasolina	FWD	1998	120	163	05.04-02.08	■
1.6 BiFuel (K4M 788)		Gasol./Gas (LPG)	FWD	1598	77	105	06.05-02.08	■
1.6 Flex-Fuel (K4M 788)		Gasol./Etanol	FWD	1598	77	105	01.07-02.08	■
1.9 dCi (F9Q 808)		Diesel	FWD	1870	66	90	11.02-12.05	■
1.9 dCi (F9Q 808)		Diesel	FWD	1870	68	92	03.04-08.06	■
1.9 dCi (F9Q 804)		Diesel	FWD	1870	81	110	05.05-02.08	■
1.9 dCi (F9Q 818)		Diesel	FWD	1870	81	110	05.05-02.08	■
1.9 dCi (F9Q 804)		Diesel	FWD	1870	85	115	11.02-02.08	■
1.9 dCi (F9Q 816)		Diesel	FWD	1870	85	115	11.02-02.08	■
1.9 dCi (F9Q 818)		Diesel	FWD	1870	85	115	11.02-02.08	■
1.9 dCi (BM0G, CM0G) (F9Q 800)		Diesel	FWD	1870	88	120	11.02-02.08	■
1.9 dCi (F9Q 803)		Diesel	FWD	1870	96	131	05.05-12.09	■
1.9 dCi (F9Q 804)		Diesel	FWD	1870	96	131	05.05-12.09	■
1.9 dCi (F9Q 816)		Diesel	FWD	1870	96	131	05.05-12.09	■
1.9 dCi (F9Q 818)		Diesel	FWD	1870	96	131	05.05-12.09	■
2.0 dCi (BM1K, CM1K) (M9R 700)		Diesel	FWD	1995	110	150	09.05-02.08	■
2.0 dCi (BM1K, CM1K) (M9R 722)		Diesel	FWD	1995	110	150	09.05-02.08	■
MEGANE II (LM0/1_) 08.03-					Saloon (Compact car-C Segment)			
1.6		Gasolina	FWD	1598	75	102	09.03-	■
1.6 (K4M 762)		Gasolina	FWD	1598	77	105	05.05-	■
1.6		Gasolina	FWD	1598	80	109	09.07-12.10	■
1.6 (K4M 760)		Gasolina	FWD	1598	81	110	09.03-11.08	■
1.6 (K4M 761)		Gasolina	FWD	1598	81	110	09.03-11.08	■
1.6 16V (LM1R, LM0C) (K4M 760)		Gasolina	FWD	1598	82	112	01.06-	■
1.6 16V (LM1R, LM0C) (K4M 761)		Gasolina	FWD	1598	82	112	01.06-	■
1.6 16V (LM1R, LM0C) (K4M 812)		Gasolina	FWD	1598	82	112	01.06-	■
1.6 16V (LM1R, LM0C) (K4M 813)		Gasolina	FWD	1598	82	112	01.06-	■
1.6 (K4M 760)		Gasolina	FWD	1598	83	113	09.03-	■
1.6 (K4M 761)		Gasolina	FWD	1598	83	113	09.03-	■
2.0 (F4R 770)		Gasolina	FWD	1998	99	135	09.03-	■
2.0 (F4R 771)		Gasolina	FWD	1998	99	135	09.03-	■
2.0 (F4R 770)		Gasolina	FWD	1998	101	138	04.06-11.10	■
1.6 Hi-Flex (LM2E, LM2M, LM24) (K4M 766)		Gasol./Etanol	FWD	1598	85	116	03.06-	■
1.9 dCi (F9Q 808)		Diesel	FWD	1870	66	90	09.03-12.05	■
1.9 dCi (F9Q 808)		Diesel	FWD	1870	68	92	03.04-	■
1.9 dCi (LM14, LM1D) (F9Q 803)		Diesel	FWD	1870	81	110	05.05-	■
1.9 dCi (LM14, LM1D) (F9Q 804)		Diesel	FWD	1870	81	110	05.05-	■
1.9 dCi (LM14, LM1D) (F9Q 816)		Diesel	FWD	1870	81	110	05.05-	■
1.9 dCi (LM14, LM1D) (F9Q 818)		Diesel	FWD	1870	81	110	05.05-	■
1.9 dCi (LM0G, LM1G, LM2C) (F9Q 800)		Diesel	FWD	1870	88	120	09.03-	■
1.9 dCi (F9Q 803)		Diesel	FWD	1870	96	131	05.05-	■

LISTA DE APLICACIONES - BUYERS GUIDE

1.9 dCi (F9Q 804)		Diesel	FWD	1870	96	131	05.05-	■	
2.0 dCi (M9R 700)		Diesel	FWD	1995	110	150	09.05-	■	
2.0 dCi (M9R 722)		Diesel	FWD	1995	110	150	09.05-	■	
MEGANE II Hatchback Van (KM0/2_) 08.03-07.09							Hatchback Van (Compact car-C Segment)		
1.5 dCi (K9K 722)		Diesel	FWD	1461	60	82	08.03-02.08	■	
1.5 dCi (K9K 724)		Diesel	FWD	1461	63	86	04.05-02.08	■	
1.5 dCi (K9K 728)		Diesel	FWD	1461	74	101	08.03-02.08	■	
1.5 dCi (K9K 734)		Diesel	FWD	1461	76	103	01.07-03.09	■	
1.5 dCi (K9K 732)		Diesel	FWD	1461	78	106	05.05-02.08	■	
MEGANE Kombi van (KA_) 02.00-07.03							Estate Van (Compact car-C Segment)		
1.6 (KA0B, KA04) (K4M 700)	vehicles with ABS	Gasolina	FWD	1598	79	107	04.01-07.03	■	
1.6 (KA0B, KA04) (K4M 701)	vehicles with ABS	Gasolina	FWD	1598	79	107	04.01-07.03	■	
1.6 (KA0B, KA04) (K4M 708)	vehicles with ABS	Gasolina	FWD	1598	79	107	04.01-07.03	■	
1.6 (KA0B, KA04) (K4M 709)	vehicles with ABS	Gasolina	FWD	1598	79	107	04.01-07.03	■	
1.8 (KA1M) (F4P 722)		Gasolina	FWD	1783	85	116	04.01-07.03	■	
1.6 BiFuel (KA0B) (K4M 712)	vehicles with ABS	Gasol./Gas (LPG)	FWD	1598	79	107	04.01-07.03	■	
1.6 BiFuel (KA04) (K4M 704)	vehicles with ABS	Gasol./Gas (LPG)	FWD	1598	80	109	04.01-07.03	■	
1.9 dTi (KA1U) (F9Q 744)		Diesel	FWD	1870	59	80	04.01-07.03	■	
1.9 dCi (KA05) (F9Q 732)		Diesel	FWD	1870	75	102	04.01-07.03	■	
1.9 dCi (KA05) (F9Q 733)		Diesel	FWD	1870	75	102	04.01-07.03	■	
1.9 dCi (KA05) (F9Q 732)		Diesel	FWD	1870	77	105	04.01-07.03	■	
1.9 dCi (KA05) (F9Q 733)		Diesel	FWD	1870	77	105	04.01-07.03	■	
MEGANE Scenic (JA0/1_) 10.96-12.01							MPV (Compact MPV-M1 Segment)		
1.4 i (JA0E) (E7J 764)	10/98-	Gasolina	FWD	1390	55	75	01.97-09.99	■	
1.6 i (JA0L) (K7M 720)	10/98-, Manual Transmission	Gasolina	FWD	1598	55	75	01.97-09.99	■	
1.6 e (JA0F) (K7M 702)	10/98-, Manual Transmission	Gasolina	FWD	1598	66	90	10.96-10.99	■	
1.6 e (JA0F) (K7M 703)	10/98-, Manual Transmission	Gasolina	FWD	1598	66	90	10.96-10.99	■	
1.6 16V (JA0B, JA04, JA11, JA00) (K4M 700)		Gasolina	FWD	1598	79	107	04.98-10.99	■	
1.6 16V (JA0B, JA04, JA11, JA00) (K4M 701)		Gasolina	FWD	1598	79	107	04.98-10.99	■	
1.6 16V (JA0B, JA04, JA11, JA00) (K4M 704)		Gasolina	FWD	1598	79	107	04.98-10.99	■	
1.6 16V (JA0B, JA04, JA11, JA00) (K4M 708)		Gasolina	FWD	1598	79	107	04.98-10.99	■	
2.0 i (JA02, JA0G) (F3R 791)		Gasolina	FWD	1998	80	109	01.99-09.99	■	
2.0 i (JA02, JA0G) (F3R 796)		Gasolina	FWD	1998	80	109	01.99-09.99	■	
2.0 i (JA0G) (F3R 750)	10/98-	Gasolina	FWD	1998	84	114	01.97-09.99	■	
2.0 i (JA0G) (F3R 751)	10/98-	Gasolina	FWD	1998	84	114	01.97-09.99	■	
2.0 RXE 4x4 (F3R 750)	10/98-	Gasolina	4WD	1998	84	114	05.97-10.99	■	
1.9 D (JA0J) (F8Q 790)	10/98-	Diesel	FWD	1870	47	64	03.97-09.99	■	
1.9 dT (JA0K, JA0Y) (F8Q 784)	10/98-	Diesel	FWD	1870	66	90	01.97-09.99	■	
1.9 dT (JA0K, JA0Y) (F8Q 786)	10/98-	Diesel	FWD	1870	66	90	01.97-09.99	■	
1.9 dTi (JA0N) (F9Q 730)	10/98-	Diesel	FWD	1870	72	98	04.97-09.99	■	
1.9 dTi (JA0N) (F9Q 734)	10/98-	Diesel	FWD	1870	72	98	04.97-09.99	■	
MEGANE Scenic VAN (JA0/1_) 10.96-12.01							Box Body/MPV (Compact MPV-M1 Segment)		
1.9 DT (JA0K)	10/98-	Diesel	FWD	1870	66	90	01.97-09.99	■	
1.9 dTi (JA0N)	10/98-	Diesel	FWD	1870	72	98	04.97-09.99	■	
SCÉNIC (JA0/1_, FA0_) 08.99-07.10							MPV (Compact MPV-M1 Segment)		
1.4 16V (JA0D, JA1H, Ja0W, JA10) (K4J 714)	08/02-, -09/02	Gasolina	FWD	1390	70	95	09.99-08.03	■	
1.4 16V (JA0D, JA1H, Ja0W, JA10) (K4J 750)	08/02-, -09/02	Gasolina	FWD	1390	70	95	09.99-08.03	■	
1.6 (K4M 708)		Gasolina	FWD	1598	75	102	03.01-08.03	■	

LISTA DE APLICACIONES - BUYERS GUIDE

1.6 (K4M 709)		Gasolina	FWD	1598	75	102	03.01-08.03	■
1.6 (JA00, JA16, JA15, JA19, JA1V, JA2B, JA2C, JA0B,... (K4M 700)		Gasolina	FWD	1598	79	107	09.99-09.03	■
1.6 (JA00, JA16, JA15, JA19, JA1V, JA2B, JA2C, JA0B,... (K4M 706)		Gasolina	FWD	1598	79	107	09.99-09.03	■
1.6 (JA00, JA16, JA15, JA19, JA1V, JA2B, JA2C, JA0B,... (K4M 707)		Gasolina	FWD	1598	79	107	09.99-09.03	■
1.6 (JA00, JA16, JA15, JA19, JA1V, JA2B, JA2C, JA0B,... (K4M 776)		Gasolina	FWD	1598	79	107	09.99-09.03	■
1.6 (JA00)		Gasolina	FWD	1598	81	110	06.01-09.03	■
1.6 16V		Gasolina	FWD	1598	85	116	09.99-08.03	■
1.8 16V (JA12, JA1R, JA1M, JA1A) (F4P 720)	-04/01	Gasolina	FWD	1783	85	115	01.01-08.03	■
1.8 16V (JA12, JA1R, JA1M, JA1A) (F4P 722)	-04/01	Gasolina	FWD	1783	85	115	01.01-08.03	■
1.8 4x4 (F4P 722)		Gasolina	4WD	1783	85	116	07.00-04.01	■
2.0 16V (JA1B, JA1D, JA0C) (F4R 740)		Gasolina	FWD	1998	102	139	07.00-08.03	■
2.0 16V (JA1B, JA1D, JA0C) (F4R 741)		Gasolina	FWD	1998	102	139	07.00-08.03	■
2.0 16V (JA1B, JA1D, JA0C) (F4R 746)		Gasolina	FWD	1998	102	139	07.00-08.03	■
2.0 16V (JA1D, JA17) (F4R 740)		Gasolina	FWD	1998	103	140	09.99-08.03	■
2.0 16V (JA1D, JA17) (F4R 741)		Gasolina	FWD	1998	103	140	09.99-08.03	■
2.0 16V (JA1D, JA17) (F4R 744)		Gasolina	FWD	1998	103	140	09.99-08.03	■
2.0 16V (JA1D, JA17) (F4R 747)		Gasolina	FWD	1998	103	140	09.99-08.03	■
1.6 BiFuel		Gasol./G as (LPG)	FWD	1598	75	102	03.01-08.03	■
1.6 BiFuel (JA04) (K4M 704)		Gasol./G as (LPG)	FWD	1598	79	107	09.99-04.01	■
1.6 BiFuel (JA04) (K4M 712)		Gasol./G as (LPG)	FWD	1598	79	107	09.99-04.01	■
1.9 D (JA0J, FA0J) (F8Q 788)		Diesel	FWD	1870	47	64	09.99-03.01	■
1.9 D (JA0J, FA0J) (F8Q 790)		Diesel	FWD	1870	47	64	09.99-03.01	■
1.9 dTi (JA1U) (F9Q 744)		Diesel	FWD	1870	59	80	02.01-08.03	■
1.9 dTi (JA0N) (F9Q 731)		Diesel	FWD	1870	72	98	09.99-08.03	■
1.9 dTi (JA0N) (F9Q 734)		Diesel	FWD	1870	72	98	09.99-08.03	■
1.9 dTi (JA0N) (F9Q 736)		Diesel	FWD	1870	72	98	09.99-08.03	■
1.9 dCi RX4 (F9Q 732)		Diesel	4WD	1870	74	101	12.02-08.03	■
1.9 dCi RX4 (F9Q 748)		Diesel	4WD	1870	74	101	12.02-08.03	■
1.9 dCi RX4 (F9Q 796)		Diesel	4WD	1870	74	101	12.02-08.03	■
1.9 dCi (JA05, JA1F) (F9Q 732)		Diesel	FWD	1870	75	102	09.99-08.03	■
1.9 dCi (JA05, JA1F) (F9Q 733)		Diesel	FWD	1870	75	102	09.99-08.03	■
1.9 dCi RX4 (F9Q 740)		Diesel	4WD	1870	75	102	11.00-08.03	■
SCÉNIC II (JM0/1_) 06.03-				MPV (Compact MPV-M1 Segment)				
1.4 (JM0B, JM0H, JM1A) (K4J 730)		Gasolina	FWD	1390	72	98	06.03-11.08	■
1.4 (JM0B, JM0H, JM1A) (K4J 740)		Gasolina	FWD	1390	72	98	06.03-11.08	■
1.4 (JM0B, JM0H, JM1A) (K4J 770)		Gasolina	FWD	1390	72	98	06.03-11.08	■
1.6 (K4M 788)		Gasolina	FWD	1598	77	105	06.06-11.08	■
1.6 16V (JM1R, JM1B, JM2Y) (K4M 706)		Gasolina	FWD	1598	82	112	10.05-11.08	■
1.6 16V (JM1R, JM1B, JM2Y) (K4M 766)		Gasolina	FWD	1598	82	112	10.05-11.08	■
1.6 16V (JM1R, JM1B, JM2Y) (K4M 812)		Gasolina	FWD	1598	82	112	10.05-11.08	■
1.6 16V (JM1R, JM1B, JM2Y) (K4M 813)		Gasolina	FWD	1598	82	112	10.05-11.08	■
1.6 (JM0C, JM0J, JM1B) (K4M 761)		Gasolina	FWD	1598	83	113	06.03-10.06	■
1.6 (JM0C, JM0J, JM1B) (K4M 782)		Gasolina	FWD	1598	83	113	06.03-10.06	■
1.6 Hi-Flex (K4M 766)		Gasol./Et anol	FWD	1598	81	110	03.05-07.10	■
1.5 dCi (JM0F) (K9K 722)		Diesel	FWD	1461	60	82	06.03-05.06	■
1.5 dCi (JM1F) (K9K 724)		Diesel	FWD	1461	63	86	05.05-11.08	■
1.5 dCi (JM02, JM13) (K9K 728)		Diesel	FWD	1461	74	101	11.03-08.05	■

LISTA DE APLICACIONES - BUYERS GUIDE

1.5 dCi (JM02, JM13) (K9K 729)	Diesel	FWD	1461	74	101	11.03-08.05	■
1.5 dCi (JM16) (K9K 728)	Diesel	FWD	1461	76	103	01.07-11.08	■
1.5 dCi (JM16) (K9K 734)	Diesel	FWD	1461	76	103	01.07-11.08	■
1.5 dCi (JM1E, JM16) (K9K 732)	Diesel	FWD	1461	78	106	05.05-11.08	■
1.5 dCi (JM1E, JM16) (K9K 734)	Diesel	FWD	1461	78	106	05.05-11.08	■
SCÉNIC VAN (FA0_, JA0/1_) 08.99-07.10						Box Body/MPV (Compact MPV-M1 Segment)	
1.9 (FA0J)	Diesel	FWD	1870	47	64	09.99-02.01	■
1.9 dTi (JA0N)	Diesel	FWD	1870	72	98	09.99-04.01	■
TWINGO II (CN0_) 03.07-						Hatchback (City car-A Segment)	
1.6 RS (CN0N, CN0R, CN0S) (K4M 854)	Gasolina	FWD	1598	98	133	05.08-09.14	■
WIND (E4M_) 07.10-						Convertible (Compact car-C Segment)	
1.2 (E4MF) (D4F 782)	Gasolina	FWD	1149	74	101	07.10-05.11	■
1.2 TCe 100 (E4MF) (D4F 780)	Gasolina	FWD	1149	75	102	02.11-08.13	■
1.6 (E4MB, E4MC) (K4M 854)	Gasolina	FWD	1598	98	133	07.10-08.13	■