

LISTA DE APLICACIONES - BUYERS GUIDE

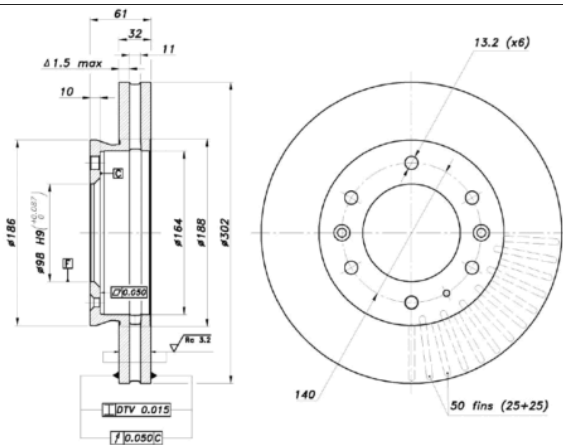
78BD7916-1



8 424073 291110

Weight: 22.400

O.E.M.	MAKE
1727183	FORD
1742318	FORD
1763037	FORD
AB311125AA	FORD
AB311125AB	FORD
AB311125AC	FORD
UC2B33251A	MAZDA
UC2B33251B	MAZDA



78BD7916-1



Ø302x32x61

MAKE
FORD
FORD ASIA & OCEANIA
FORD AUSTRALIA
MAZDA



Trac.	CC	Kw	CV		
					Front / Rear

FORD

(2N, 2G, 2P) 12.11-01.23								Pickup ()
2.5		Gasolina	RWD	2488	122	166	12.11-10.18	■
RANGER III (TKE) 04.11-								Pickup (Pick-Up Truck)
2.5 i (GBVAF)	not sport chassis	Gasolina	RWD	2488	122	166	11.11-	■
2.5 i (GBVAK)	not sport chassis	Gasolina	RWD	2488	122	166	11.11-	■
2.5 i (GBVAL)	not sport chassis	Gasolina	RWD	2488	122	166	11.11-	■
2.5 i 4x4 (GBVAF)	not sport chassis	Gasolina	4WD	2488	122	166	11.11-	■
2.5 i 4x4 (GBVAK)	not sport chassis	Gasolina	4WD	2488	122	166	11.11-	■
2.5 i 4x4 (GBVAL)	not sport chassis	Gasolina	4WD	2488	122	166	11.11-	■
2.5 Flex	not sport chassis	Gasolina	FWD	2488	127	173	03.14-	■
2.5 i CNG (GBVAF,GBVAK,GBVAL)	not sport chassis	Gasol./Gas (CNG)	RWD	2488	122	166	07.19-	■
2.0 EcoBlue 4x4	not sport chassis	Diesel	4WD	1995	132	179	09.18-	■
2.0 EcoBlue 4x4	not sport chassis	Diesel	4WD	1996	96	131	03.19-	■
2.0 EcoBlue	not sport chassis	Diesel	RWD	1996	125	170	06.21-	■
2.0 EcoBlue 4x4	not sport chassis	Diesel	4WD	1996	125	170	03.19-	■
2.0 EcoBlue Tracción trasera	not sport chassis	Diesel	RWD	1996	132	180	09.18-	■
2.0 EcoBlue 4x4	not sport chassis	Diesel	4WD	1996	157	213	09.18-	■
2.2 TDCi (GBVAJPF)	not sport chassis	Diesel	RWD	2198	88	120	04.11-	■
2.2 TDCi (GBVAJQW)	not sport chassis	Diesel	RWD	2198	92	125	04.11-	■
2.2 TDCi 4x4 (GBVAJQW)	not sport chassis	Diesel	4WD	2198	92	125	04.11-	■
2.2 TDCi	not sport chassis	Diesel	RWD	2198	96	131	05.15-	■
2.2 TDCi 4x4	not sport chassis	Diesel	4WD	2198	96	131	05.15-	■
2.2 TDCi (GBVAJQJ)	not sport chassis	Diesel	RWD	2198	110	150	11.11-	■

LISTA DE APLICACIONES - BUYERS GUIDE

2.2 TDCi 4x4 (GBVAJQJ)	not sport chassis	Diesel	4WD	2198	110	150	04.11-	■
2.2 TDCi	not sport chassis	Diesel	RWD	2198	118	160	05.15-	■
2.2 TDCi 4x4 (GBVAJQJ)	not sport chassis	Diesel	4WD	2198	118	160	05.15-	■
3.2 TDCi	not sport chassis	Diesel	RWD	3198	147	200	11.11-	■
3.2 TDCi 4x4 (ENSA)	not sport chassis	Diesel	4WD	3198	147	200	04.11-	■
3.2 TDCi 4x4 (SA2R)	not sport chassis	Diesel	4WD	3198	147	200	04.11-	■
3.2 TDCi 4x4 (SA2S)	not sport chassis	Diesel	4WD	3198	147	200	04.11-	■
3.2 TDCi 4x4 (SA2W)	not sport chassis	Diesel	4WD	3198	147	200	04.11-	■
3.2 TDCi 4x4 (SAFA)	not sport chassis	Diesel	4WD	3198	147	200	04.11-	■

FORD ASIA & OCEANIA

RANGER III (PX) 04.11-								Pickup ()
2.2 TDCi 4x4		Diesel	4WD	2198	88	120	04.14-	■
RANGER III (PX) 01.11-								Platform/Chassis (LCVs-N1 Segment)
2.2 D (GBVAJQW)		Diesel	RWD	2197	92	125	01.15-	■
2.2 TDCi (GBVAJPF)		Diesel	RWD	2198	88	120	04.11-	■

FORD AUSTRALIA

RANGER (PX) 04.11-								Pickup (Pick-Up Truck)
2.5 i		Gasolina	FWD	2488	122	166	11.11-	■
2.0 TDCi Bi-Turbo 4x4 (PXIII) (YN2S)		Diesel	4WD	1996	157	213	07.18-05.22	■
2.2 TDCi		Diesel	RWD	2198	88	120	01.14-05.22	■
2.2 TDCi (GBVAKQW)		Diesel	RWD	2198	92	125	01.14-	■
2.2 TDdi (PX) (P4-AT)		Diesel	RWD	2198	110	150	11.11-06.15	■
2.2 TDdi 4x4 (P4-AT)		Diesel	4WD	2198	110	150	11.11-06.15	■
2.2 TDdi		Diesel	RWD	2198	118	160	06.15-	■
2.2 TDdi 4x4		Diesel	4WD	2198	118	160	06.15-	■
3.2 TDdi (PX, PXII, PXIII) (P5-AT)		Diesel	RWD	3198	147	200	11.11-05.22	■
3.2 TDdi 4x4 (PX, PXII, PXIII) (P5-AT)		Diesel	4WD	3198	147	200	11.11-05.22	■
RANGER (PX) 11.11-								Platform/Chassis (LCVs-N1 Segment)
2.5 i		Gasolina	FWD	2488	122	166	11.11-	■
2.2 TDdi		Diesel	RWD	2198	110	150	11.11-	■
2.2 TDdi		Diesel	RWD	2198	110	150	11.11-	■
2.2 TDdi		Diesel	RWD	2198	118	160	06.15-	■
2.2 TDdi		Diesel	RWD	2198	118	160	06.15-	■
3.2 TDdi		Diesel	RWD	3198	147	200	11.11-	■

MAZDA

BT-50 II (B22, B32, UP, UR) 11.11-								Pickup (Pick-Up Truck)
2.5 MZI 4WD		Gasolina	4WD	2488	120	163	11.11-	■
2.5 MZI		Gasolina	RWD	2488	122	166	11.11-	■
2.5 MZI 4WD		Gasolina	4WD	2488	122	166	11.11-	■
2.5 CNG (L5-Y3)		Gasol./Gas (CNG)	RWD	2488	122	166	11.11-	■
2.2 MZ-CD		Diesel	RWD	2198	88	120	11.11-	■
2.2 MZ-CD 4WD (P4-AT)		Diesel	4WD	2198	88	120	11.11-	■
2.2 MZ-CD		Diesel	RWD	2198	92	125	04.15-	■
2.2 MZ-CD 4WD (P4-AT)		Diesel	4WD	2198	92	125	12.12-	■
2.2 MZ-CD		Diesel	RWD	2198	110	150	11.11-06.20	■
2.2 MZ-CD 4WD (P4-AT)		Diesel	4WD	2198	110	150	11.11-11.20	■
2.2 MZ-CD (P4-AT)		Diesel	RWD	2198	115	156	11.11-	■
3.2 MZ-CD (P5-AT)		Diesel	RWD	3198	145	197	11.11-	■

LISTA DE APLICACIONES - BUYERS GUIDE

3.2 MZ-CD (UP0YF1, UR0YF1)	Diesel	RWD	3198	147	200	11.11-	■
3.2 MZ-CD 4WD (UP0YF1, UR0YF1) (P5-AT)	Diesel	4WD	3198	147	200	11.11-	■
3.2 MZ-DC 4WD (P5-AT)	Diesel	4WD	3198	163	222	07.15-	■
BT-50 II (B22, B32, UP, UR) 11.11-					Platform/Chassis (LCVs-N1 Segment)		
2.2 MZ-CD	Diesel	RWD	2198	110	150	11.11-	■
3.2 MZ-CD (UP0YF1, UR0YF1)	Diesel	RWD	3198	147	200	11.11-	■
3.2 MZ-CD 4WD (UP0YF1, UR0YF1)	Diesel	4WD	3198	147	200	11.11-	■