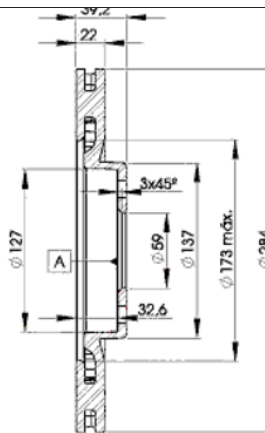
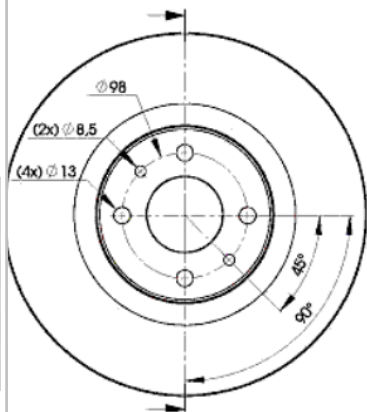


LISTA DE APLICACIONES - BUYERS GUIDE

78BD7947-2



Weight: 12.624



78BD7947-2

E1 90R-02C0538/0081



Ø284x22x39.4

MAKE

ALFA ROMEO

FIAT

LANCIA



Trac.	CC	Kw	CV
-------	----	----	----



Front / Rear

ALFA ROMEO

							Hatchback (Compact car-C Segment)		
145 (3 door) (930_) 07.94-01.01									
1.8 i.e. 16V T.S. (930.A1A) (AR 38401)		Gasolina	FWD	1747	103	140	12.96-12.98	■	
1.8 i.e. 16V T.S. (930.A1A) (AR 67106)		Gasolina	FWD	1747	103	140	12.96-12.98	■	
1.8 i.e. 16V T.S. (930.A1A) (AR 67199)		Gasolina	FWD	1747	103	140	12.96-12.98	■	
1.8 i.e. 16V (930.A1A) (AR 32201)		Gasolina	FWD	1747	106	144	03.98-01.01	■	
2.0 16V T.S. (930.A5) (AR 67204)		Gasolina	FWD	1970	110	150	10.95-01.01	■	
2.0 16V (930.A5) (AR 32301)		Gasolina	FWD	1970	114	155	03.98-01.01	■	
146 (5 door) (930_) 12.94-10.01							Hatchback (Compact car-C Segment)		
1.8 i.e. 16V T.S. (930.B1A) (AR 38401)		Gasolina	FWD	1747	103	140	11.96-01.01	■	
1.8 i.e. 16V T.S. (930.B1A) (AR 67106)		Gasolina	FWD	1747	103	140	11.96-01.01	■	
1.8 i.e. 16V T.S. (930.B1A) (AR 32201)		Gasolina	FWD	1747	106	144	03.98-01.01	■	
2.0 16V T.S. (930.B5) (AR 67204)		Gasolina	FWD	1970	110	150	10.95-01.01	■	
2.0 16V (930.B5) (AR 32301)		Gasolina	FWD	1970	114	155	03.97-10.01	■	
155 (167_) 01.92-12.97							Saloon (Compact executive car-D Segment)		
2.0 T.S. 16V (167.A2G) (AR 67204)		Gasolina	FWD	1970	110	150	03.95-12.97	■	
2.0 T.S. 16V (167.A2G) (AR 67299)		Gasolina	FWD	1970	110	150	03.95-12.97	■	

FIAT

							Coupe (Sports car-S Segment)		
COUPE (175_) 11.93-08.00									
1.8 16V (183 A1.000)		Gasolina	FWD	1747	96	131	03.96-08.00	■	
2.0 16V (836 A3.000)		Gasolina	FWD	1995	102	139	11.93-08.96	■	
2.0 20V (175AXC1A) (182 A1.000)		Gasolina	FWD	1998	108	147	08.96-09.98	■	
2.0 20V (182 B3.000)		Gasolina	FWD	1998	113	154	04.98-08.00	■	

LISTA DE APLICACIONES - BUYERS GUIDE

MULTIPLA (186_) 04.99-06.10					MPV (Compact MPV-M1 Segment)			
1.6 100 16V (186AXA1A) (182 A4.000)		Gasolina	FWD	1581	76	103	04.99-08.00	■
1.6 16V		Gasolina	FWD	1581	85	116	04.99-04.02	■
1.6 (182 B6.000)		Gasolina	FWD	1596	68	92	05.04-08.05	■
1.6 16V (186AGB1A) (182 B6.000)		Gasolina	FWD	1596	70	95	04.02-06.10	■
1.6		Gasolina	FWD	1596	74	101	03.01-08.05	■
1.6 (186AXC1A, 186BMC1A, 186BXC1A) (182 B6.000)		Gasolina	FWD	1596	76	103	09.00-06.10	■
1.6 16V GPL (182 B6.000)		Gasol./Gas (LPG)	FWD	1596	76	103	10.01-06.10	■
1.6 Blupower (186AMA1A) (186 A3.000)		Gasol./Gas (CNG)	FWD	1581	70	95	04.99-09.04	■
1.6 16V Bipower (186AMB1A) (186 A4.000)		Gasol./Gas (CNG)	FWD	1581	76	103	04.99-09.04	■
1.6 16V Bipower (186AXC1A) (182 B6.000)		Gasol./Gas (CNG)	FWD	1596	76	103	10.01-08.05	■
1.6 Natural Power (186AGB1A05) (182 B6.000)		Gasol./Gas (CNG)	FWD	1596	77	105	11.08-06.10	■
1.9 JTD 105 (186AXB1A) (182 B4.000)		Diesel	FWD	1910	77	105	04.99-08.00	■
1.9 JTD 110 (186 A6.000)		Diesel	FWD	1910	81	110	03.01-07.02	■
1.9 JTD 115 (186 A8.000)		Diesel	FWD	1910	85	115	07.02-06.10	■
1.9 JTD (186AXE1A) (186 A9.000)		Diesel	FWD	1910	88	120	04.02-06.10	■
MULTIPLA VAN (186_) 04.99-06.10					Box Body/MPV (LCVs-N1 Segment)			
1.6 (186AXC1A, 186BMC1A, 186BXC1A)		Gasolina	FWD	1596	76	103	09.00-06.10	■
Bipower		Gasol./Etanol	FWD	1596	76	103	10.01-06.10	■
1.9 JTD (186AXB1A)		Diesel	FWD	1910	77	105	04.99-08.00	■
1.9 JTD		Diesel	FWD	1910	81	110	09.00-03.02	■
1.9 JTD		Diesel	FWD	1910	85	116	05.04-06.10	■
1.9 JTD (186AXG1A, 186BXG1A)		Diesel	FWD	1910	88	120	04.02-06.10	■
PUNTO II (188_) 09.99-07.12					Hatchback (Supermini car-B Segment)			
1.8 130 HGT (188.738, .718) (183 A1.000)	05/03-	Gasolina	FWD	1747	96	130	09.99-03.12	■
1.8 130 HGT (188.738, .718) (188 A6.000)	05/03-	Gasolina	FWD	1747	96	130	09.99-03.12	■
TIPO (160_) 07.87-10.97					Hatchback (Compact car-C Segment)			
2.0 i.e. 16V Sport (160.EF) (836 A3.000)		Gasolina	FWD	1995	102	139	03.93-04.95	■
2.0 16V (160.AV) (160 A8.046)		Gasolina	FWD	1995	107	146	07.91-04.95	■
LANCIA								
DEDRA (835_) 01.89-07.99					Saloon (Large family car-D Segment)			
2.0 i.e. Turbo (835AR) (835 A8.046)		Gasolina	FWD	1995	119	162	04.91-07.99	■
2.0 i.e. Turbo Integrale (835AO) (835 A7.000)		Gasolina	4WD	1995	121	165	04.90-08.91	■
2.0 HF Integrale (835AP) (835 A7.046)		Gasolina	4WD	1995	124	169	11.90-07.94	■
2.0 Turbo (835AQ) (835 A8.000)		Gasolina	FWD	1995	130	177	11.90-06.94	■
DELTA II (836_) 06.93-09.99					Hatchback (Compact car-C Segment)			
2.0 16V (836AA, 836CA) (836 A3.000)	-03/96	Gasolina	FWD	1995	102	139	06.93-08.99	■
2.0		Gasolina	FWD	1995	108	147	11.94-04.98	■