

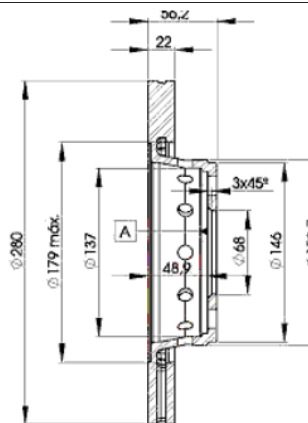
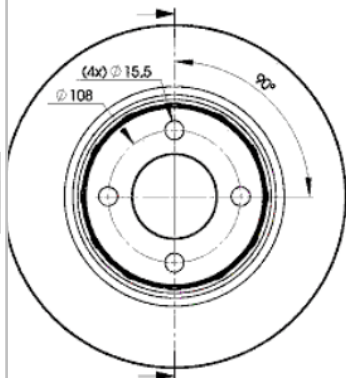
LISTA DE APLICACIONES - BUYERS GUIDE

78BD8011-2



Weight: 12.220

O.E.M.	MAKE
8A0 615 301 A	VW
8A0 615 301 E	VW



78BD8011-2



Ø280x22x56.2

MAKE
AUDI



Trac.	CC	Kw	CV
-------	----	----	----



Front / Rear

AUDI

							Saloon (Compact executive car-D Segment)	
80 V B4 / 90 (8C2) 09.91-07.95								
1.6 E (ADA)		Gasolina	FWD	1595	74	101	06.93-12.94	■
2.0 (ABT)	08/92-, Automatic Transmiss.	Gasolina	FWD	1984	66	90	09.91-12.94	■
2.0 quattro (ADW)		Gasolina	4WD	1984	79	107	11.93-07.94	■
2.0 E (ABK)	08/92-, Automatic Transmiss.	Gasolina	FWD	1984	85	115	09.91-12.94	■
2.0 E quattro (ABK)	08/92-	Gasolina	4WD	1984	85	115	09.91-12.94	■
2.0 E 16V (6A)		Gasolina	FWD	1984	101	137	09.91-07.92	■
2.0 E 16V (ACE)		Gasolina	FWD	1984	103	140	08.92-12.94	■
2.0 E 16V quattro (ACE)	08/92-	Gasolina	4WD	1984	103	140	04.92-12.94	■
2.3 E (NG)	08/92-	Gasolina	FWD	2309	98	133	09.91-12.94	■
2.3 E quattro (NG)	08/92-	Gasolina	4WD	2309	98	133	09.91-12.94	■
2.6 (ABC)		Gasolina	FWD	2598	110	150	07.92-12.94	■
2.6 quattro (ABC)		Gasolina	4WD	2598	110	150	06.92-12.94	■
							Estate (Compact executive car-D Segment)	
80 V B4 Avant / 90 (8C5) 09.91-01.96								
1.6 E (ADA)		Gasolina	FWD	1595	74	101	06.93-01.96	■
2.0 quattro (ADW)		Gasolina	4WD	1984	79	107	11.93-01.96	■
2.0 E (ABK)		Gasolina	FWD	1984	85	115	07.92-01.96	■
2.0 E 16V (ACE)		Gasolina	FWD	1984	103	140	02.93-01.96	■
2.0 E 16V quattro (ACE)		Gasolina	4WD	1984	103	140	12.92-07.95	■
2.3 E (NG)		Gasolina	FWD	2309	98	133	07.92-01.96	■
2.3 E quattro (NG)		Gasolina	4WD	2309	98	133	09.91-11.94	■
2.6		Gasolina	FWD	2598	102	139	08.94-01.96	■
2.6 (ABC)		Gasolina	FWD	2598	110	150	07.92-01.96	■

LISTA DE APLICACIONES - BUYERS GUIDE

2.6 quattro (ABC)		Gasolina	4WD	2598	110	150	07.92-07.95	■
CABRIOLET B3 (8G7) 05.91-08.00					Convertible (Compact executive car-D Segment)			
1.8 (ADR)		Gasolina	FWD	1781	92	125	01.97-08.00	■
2.0 E (ABK)		Gasolina	FWD	1984	85	115	01.93-07.98	■
2.0 16V (ACE)		Gasolina	FWD	1984	103	140	06.95-07.96	■
2.3 E (NG)	08/92-	Gasolina	FWD	2309	98	133	05.91-07.94	■
2.6		Gasolina	FWD	2598	102	139	05.95-08.00	■
2.6 (ABC)		Gasolina	FWD	2598	110	150	06.93-08.00	■
1.9 TDI (1Z)		Diesel	FWD	1896	66	90	06.95-08.00	■
1.9 TDI (AHU)		Diesel	FWD	1896	66	90	06.95-08.00	■
COUPE II B3 (89, 8B3) 10.88-12.96					Coupe (Compact executive car-D Segment)			
2.0 (AAD)	08/91-	Gasolina	FWD	1984	85	115	05.89-12.96	■
2.0 (ABK)	08/91-	Gasolina	FWD	1984	85	115	05.89-12.96	■
2.0 16V (ACE)		Gasolina	FWD	1984	103	140	08.92-12.96	■
2.3 (NG)		Gasolina	FWD	2309	98	133	03.90-12.96	■
2.3 quattro (NG)	08/92-	Gasolina	4WD	2309	98	134	05.90-12.96	■
2.6 (ABC)		Gasolina	FWD	2598	110	150	08.92-12.96	■