

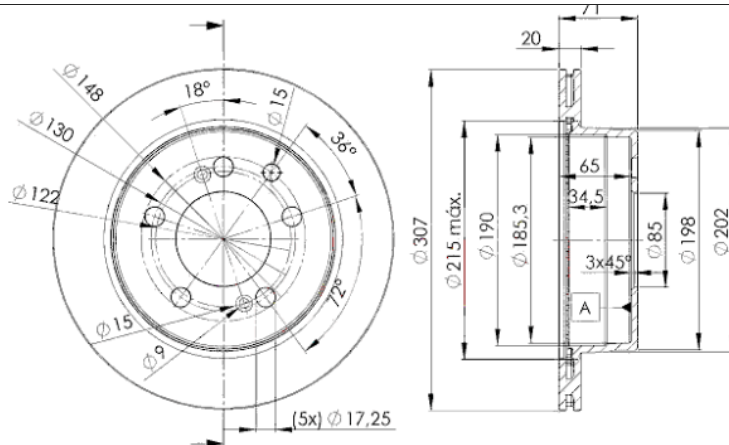
# LISTA DE APLICACIONES - BUYERS GUIDE

## 78BD8675-2



Weight: 13.930

O.E.M.	MAKE
48401-09100	SSANGYONG
48401-21000	SSANGYONG



## 78BD8675-2

**E1 90R-02C0438/1544**



Ø307x20x71

MAKE
SSANGYONG



Trac.	CC	Kw	CV
-------	----	----	----



Front / Rear

### SSANGYONG

						SUV (Compact SUV-J Segment)			
<b>ACTYON 11.05-</b>									
2.3 (G23D)		Gasolina	RWD	2295	110	150	11.06-	■	
2.3 4x4 (G23D)		Gasolina	4WD	2295	110	150	11.06-	■	
<b>KYRON 05.05-</b>									
<b>SUV (Compact SUV-J Segment)</b>									
2.3 4x4 (G23D)		Gasolina	4WD	2295	110	150	11.06-12.14	■	
3.2 M320 4x4 (G32D)		Gasolina	4WD	3199	162	220	03.06-12.14	■	
2.7 Xdi 4x4 (D27DT)		Diesel	4WD	2696	120	163	03.06-12.14	■	
2.7 Xdi 4x4 (D27DT)		Diesel	4WD	2696	121	165	05.05-12.14	■	
<b>REXTON / Rexton II 04.02-</b>									
<b>SUV Van (Executive SUV-J Segment)</b>									
RX270 XDi 4x4		Diesel	4WD	2696	118	160	03.11-04.13	■	
RX270 XDi 4x4		Diesel	4WD	2696	132	179	03.11-04.13	■	
<b>REXTON / Rexton II (GAB_) 04.02-</b>									
<b>SUV (Executive SUV-J Segment)</b>									
2.8 RX280 4x4		Gasolina	4WD	2797	142	193	03.03-	■	
2.7 Xdi 4x4 (D27DT)		Diesel	4WD	2696	118	160	03.11-04.13	■	
2.7 Xdi (D27DT)		Diesel	4WD	2696	120	163	08.04-	■	
2.7 Xdi (D27DT)		Diesel	RWD	2696	121	165	03.05-08.06	■	
2.7 Xdi 4x4 (D27DT)		Diesel	4WD	2696	121	165	05.04-05.12	■	
2.7 CRDi 4x4 (D27DT)		Diesel	4WD	2696	130	176	12.03-12.09	■	
2.7 Xdi Turbo 4x4 (D27DTP)		Diesel	4WD	2696	132	180	03.08-	■	
2.7 D 4x4 (D27DTP)		Diesel	4WD	2696	137	186	06.06-	■	
<b>REXTON W / REXTON 07.12-</b>									
<b>SUV Van (Executive SUV-J Segment)</b>									
e-XDi		Diesel	RWD	2157	131	178	07.15-	■	

# LISTA DE APLICACIONES - BUYERS GUIDE

e-XDi A las 4 ruedas	Diesel	4WD	2157	131	178	07.15-	■
<b>REXTON W / REXTON 07.12-</b>				<b>SUV (Executive SUV-J Segment)</b>			
2.0 Xdi (D20DTR)	Diesel	RWD	1998	110	150	07.13-11.15	■
2.0 Xdi A las 4 ruedas (D20DTR)	Diesel	4WD	1998	110	150	07.13-11.15	■
2.0 Xdi (D20DTR)	Diesel	RWD	1998	114	155	07.12-11.15	■
2.0 Xdi A las 4 ruedas (D20DTR)	Diesel	4WD	1998	114	155	07.12-11.15	■
2.2 Xdi	Diesel	RWD	2157	131	178	07.15-06.17	■
2.2 Xdi A las 4 ruedas	Diesel	4WD	2157	131	178	07.15-06.17	■
2.7 Xdi A las 4 ruedas (D27DT)	Diesel	4WD	2696	121	165	07.12-06.17	■
2.7 Xdi A las 4 ruedas (D27DTP)	Diesel	4WD	2696	137	186	10.12-06.17	■
<b>RODIUS II / STAVIC 06.13-</b>				<b>MPV (Large MPV-M1 Segment)</b>			
3.2	Gasolina	RWD	3199	162	220	07.13-	■
2.0 Xdi (D20DTR)	Diesel	RWD	1998	110	150	06.13-	■
2.0 Xdi (D20DTR)	Diesel	RWD	1998	114	155	07.13-	■
2.2 Xdi	Diesel	RWD	2157	131	178	07.15-	■
<b>RODIUS II / STAVIC (CA1) 06.13-</b>				<b>SUV Van (Large MPV-M1 Segment)</b>			
e-XDi	Diesel	RWD	2157	131	178	07.15-	■
<b>RODIUS / STAVIC 02.05-12.14</b>				<b>MPV (Large MPV-M1 Segment)</b>			
3.2 (G32D)	Gasolina	RWD	3199	162	220	05.05-	■
3.2 4WD (G32D)	Gasolina	4WD	3199	162	220	07.07-	■
2.7 Xdi (D27DT)	Diesel	RWD	2696	120	163	05.05-	■
2.7 Xdi 4WD (D27DT)	Diesel	4WD	2696	120	163	05.05-	■
2.7 Xdi (D27DT)	Diesel	RWD	2696	121	165	05.05-	■
2.7 Xdi 4WD (D27DT)	Diesel	4WD	2696	121	165	05.05-12.12	■
<b>STAVIC 02.05-</b>				<b>MPV (Compact SUV-J Segment)</b>			
2.0 200 XDi	Diesel	RWD	1998	100	136	06.13-	■
2.7 270 sXDi (D27DT)	Diesel	RWD	2696	121	165	02.05-12.12	■
2.7 270 sXDi 4x4 (D27DT)	Diesel	4WD	2696	121	165	02.05-12.12	■