

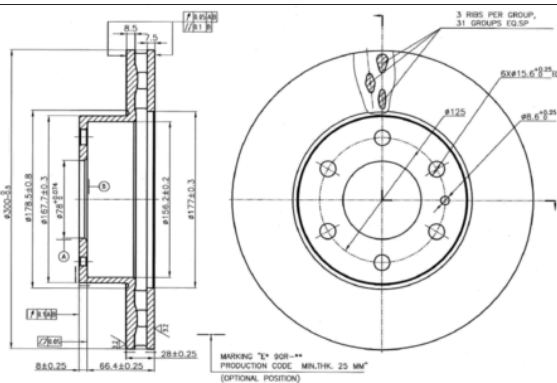
LISTA DE APLICACIONES - BUYERS GUIDE

78BD8761-2



Weight: 16.636

O.E.M.	MAKE
2996131	IVECO
504121605	IVECO
5801639518	IVECO



78BD8761-2

E1 90R-02C0538/0082



Ø300x28x74.4

MAKE
IVECO



	Trac.	CC	Kw	CV			Front / Rear
--	-------	----	----	----	--	--	--------------

IVECO							
09.11-02.14							Bus ()
35S17, 40C17, 45C17, 50C17		Diesel	RWD	2998	125	170	09.11-02.14 ■
DAILY III 05.99-10.09							Van (LCVs-N1 Segment)
29 L 10 V (ALJA43A2, ALJA42A2, ALJA41A2) (F1AE0481A)		Diesel	RWD	2287	70	95	09.02-07.07 ■
DAILY IV 05.06-12.16							Bus (Minibus-M2-Segment)
35S14, 35S14 /P (F1AE0481H)		Diesel	RWD	2287	100	136	05.06-08.11 ■
DAILY IV 05.06-08.11							Dump Truck (Volquete-N2 Segment)
35C10 K (F1AE0481F)		Diesel	RWD	2287	70	95	05.06-08.11 ■
35C11 K, 35C11 DK, 35S11 K, 35S11 DK (F1AE0481U)		Diesel	RWD	2287	78	106	07.07-08.11 ■
35C12 (F1AE0481G)		Diesel	RWD	2287	85	116	05.06-08.11 ■
35C13 K, 35C13 DK, 35S13 K, 35S13 DK (F1AE0481V)		Diesel	RWD	2287	93	126	07.07-08.11 ■
35S14 K, 35S14 DK (F1AE0481H)		Diesel	RWD	2287	100	136	07.07-08.11 ■
35C14 K, 35C14 DK, 35S14 K, 35S14 DK (F1CE3481L)		Diesel	RWD	2998	103	140	09.09-08.11 ■
60C15 (F1CE0481F)		Diesel	RWD	2998	107	146	05.06-08.11 ■
35C17 K, 35C17 DK, 35S17 K, 35S17 DK (F1CE3481C)	Eq.V_ S-Model	Diesel	RWD	2998	125	170	07.07-08.11 ■
35C18 (F1CE0481H)		Diesel	RWD	2998	130	176	05.06-08.11 ■
60C18 (F1CE0481H)		Diesel	RWD	2998	130	176	05.06-08.11 ■
DAILY IV 05.06-03.12							Platform/Chassis (LCVs-N1 Segment)
29L10 (F1AE0481F)		Diesel	RWD	2287	70	95	05.06-08.11 ■
35C10, 35S10 (F1AE0481F)	Eq.V_ S-Model	Diesel	RWD	2287	70	95	05.06-08.11 ■

LISTA DE APLICACIONES - BUYERS GUIDE

40C10 (F1AE0481F)		Diesel	RWD	2287	70	95	05.06-08.11	■	
35C11, 35S11, 35S11 D, 35S11 /P (F1AE0481U)	Eq.V_ S-Model	Diesel	RWD	2287	78	106	07.07-08.11	■	
29L12 (F1AE0481G)		Diesel	RWD	2287	85	116	05.06-08.11	■	
35C12, 35S12 (F1AE0481G)	Eq.V_ S-Model	Diesel	RWD	2287	85	116	05.06-08.11	■	
35C12, 35S12 (F1AE0481R)	Eq.V_ S-Model	Diesel	RWD	2287	85	116	05.06-08.11	■	
35C13, 35C13 /P, 35S13 D, 35S13, 35S13 /P (F1AE0481V)	Eq.V_ S-Model	Diesel	RWD	2287	93	126	07.07-08.11	■	
29L14 (F1AE0481H)		Diesel	RWD	2287	100	136	05.06-08.11	■	
35C14, 35S14, 35S14 /P (F1AE0481H)	Eq.V_ S-Model	Diesel	RWD	2287	100	136	05.06-08.11	■	
35C14, 35C14 /P, 35S14, 35S14 /P, 35S14 D, 35S14 D/P (F1CE3481L)	Eq.V_ S-Model	Diesel	RWD	2998	103	140	09.09-08.11	■	
60C15, 60C15 /P, 60C15 D, 60C15 D/P (F1CE0481F)		Diesel	RWD	2998	107	146	05.06-08.11	■	
65C15, 65C15 /P, 65C15 D, 65C15 D/P (F1CE0481F)		Diesel	RWD	2998	107	146	05.06-08.11	■	
35C17, 35C17 /P, 35S17, 35S17 /P, 35S17 D (F1CE3481C)	Eq.V_ S-Model	Diesel	RWD	2998	125	170	07.07-08.11	■	
35S17 W, 35S17 WD (F1CE3481C)		Diesel	4WD	2998	125	170	07.07-08.11	■	
55S17 W, 55S17 WD (F1CE3481C)		Diesel	4WD	2998	125	170	07.07-08.11	■	
35C18, 35S18 (F1CE0481H)	Eq.V_ S-Model	Diesel	RWD	2998	130	176	05.06-08.11	■	
35S18W (F1CE0481H)		Diesel	4WD	2998	130	177	06.06-08.11	■	
55S18W (F1CE0481H)		Diesel	4WD	2998	130	177	06.06-08.11	■	
60C18 (F1CE0481H)		Diesel	RWD	2998	130	176	05.06-08.11	■	
65C18 (F1CE0481H)		Diesel	RWD	2998	130	176	05.06-08.11	■	
35C14 G, 35C14 G/P, 35S14 G, 35S14 G/P, 35C14 GD,... (F1CE0441A)	Eq.V_ S-Model	CNG	RWD	2998	100	136	07.07-08.11	■	
DAILY IV 05.06-03.12					Van (LCVs-N1 Segment)				
29L10 V (F1AE0481F)		Diesel	RWD	2287	70	95	05.06-08.11	■	
35C10, 35S10 (F1AE0481F)	Eq.V_ S-Model	Diesel	RWD	2287	70	95	05.06-08.11	■	
40C10 V (F1AE0481F)		Diesel	RWD	2287	70	95	05.06-08.11	■	
35C11 V, 35S11 V (F1AE0481U)	Eq.V_ S-Model	Diesel	RWD	2287	78	106	07.07-08.11	■	
40C11 V (F1AE0481U)		Diesel	RWD	2287	78	106	07.07-08.11	■	
29L12 V, 29L12 V/P (F1AE0481G)		Diesel	RWD	2287	85	116	05.06-08.11	■	
35C12 V, 35C12 V/P, 35S12 V, 35S12 V/P (F1AE0481G)	Eq.V_ S-Model	Diesel	RWD	2287	85	116	05.06-08.11	■	
35C12 V, 35C12 V/P, 35S12 V, 35S12 V/P (F1AE0481R)	Eq.V_ S-Model	Diesel	RWD	2287	85	116	05.06-08.11	■	
35C13 V, 35C13 V/P, 35S13 V, 35S13 V/P (F1AE0481V)	Eq.V_ S-Model	Diesel	RWD	2287	93	126	07.07-08.11	■	
29L14 C, 29L14 C/P, 29L14 V, 29L14 V/P (F1AE0481H)		Diesel	RWD	2287	100	136	05.06-08.11	■	
35S14 C, 35S14 C/P, 35S14 V, 35S14 V/P, 35C14 V,... (F1AE0481H)		Diesel	RWD	2287	100	136	05.06-08.11	■	
35S14		Diesel	RWD	2998	100	136	08.07-03.12	■	
35C14 V, 35C14 V/P, 35S14 V, 35S14 V/P (F1CE3481L)	Eq.V_ S-Model	Diesel	RWD	2998	103	140	09.09-08.11	■	
35S15 (F1CE0481L)		Diesel	RWD	2998	107	145	06.06-08.11	■	
60C15 V (F1CE0481F)		Diesel	RWD	2998	107	146	05.06-08.11	■	
65C15 (F1CE0481F)		Diesel	RWD	2998	107	146	05.06-08.11	■	
35C17 V, 35C17 V/P, 35S17 V, 35S17 V/P (F1CE3481C)	Eq.V_ S-Model	Diesel	RWD	2998	125	170	07.07-08.11	■	
35C18 V, 35C18 V/P, 35S18 V, 35S18 V/P (F1CE0481H)	Eq.V_ S-Model	Diesel	RWD	2998	130	176	05.06-08.11	■	
60C18 (F1CE0481H)		Diesel	RWD	2998	130	176	05.06-08.11	■	
65C18 (F1CE0481H)		Diesel	RWD	2998	130	176	05.06-08.11	■	
35C14 GV, 35C14 GV/P, 35S14 GV, 35S14 GV/P (F1CE0441A)	Eq.V_ S-Model	CNG	RWD	2998	100	136	07.07-08.11	■	

LISTA DE APLICACIONES - BUYERS GUIDE

DAILY V 09.11-02.14						Dump Truck (Volquete-N2 Segment)			
35C11K, 35S11DKP (F1AE3481A)	Eq.V_ S-Model	Diesel	RWD	2287	78	106	09.11-02.14	■	
35C15K, 35S15DKP, 50C15K, 60C15K, 65C15DK, 70C15K (F1CE3481B)		Diesel	RWD	2998	107	146	09.11-02.14	■	
35C17K, 35S17DKP, 50C17K, 65C17DK 70C17K (F1CE3481C)	Eq.V_ S-Model	Diesel	RWD	2998	125	170	09.11-02.14	■	
35C17K, 35S17DKP, 50C17K, 65C17DK 70C17K (F1CE3481K)	Eq.V_ S-Model	Diesel	RWD	2998	125	170	09.11-02.14	■	
DAILY V 09.11-02.14						Platform/Chassis (LCVs-N1 Segment)			
35S60E Electric		Eléctrico	RWD		60	82	09.11-02.14	■	
26L11, 29L11, 29S11, 35C11D, 35S11, 40C11 (F1AE3481A)	Eq.V_ S-Model	Diesel	RWD	2287	78	106	09.11-02.14	■	
29S13, 29L13, 29L13D, 35S13, 35C13D, 40C13 (F1AE3481B)	Eq.V_ S-Model	Diesel	RWD	2287	93	126	09.11-02.14	■	
29L15, 35S15, 35C15, 40C15, 50C15 (F1AE3481C)	Eq.V_ S-Model	Diesel	RWD	2287	107	146	09.11-02.14	■	
35C15, 35S15, 40C15, 45C15, 50C15, 60C15, 65C15, 70C15 (F1CE3481B)		Diesel	RWD	2998	107	146	09.11-02.14	■	
35C15, 35S15, 40C15, 45C15, 50C15, 60C15, 65C15, 70C15 (F1CE3481J)		Diesel	RWD	2998	107	146	09.11-02.14	■	
35C17, 35S17, 40C17, 45C17, 50C17, 60C17, 65C17, 70C17 (F1CE3481C)	Eq.V_ S-Model	Diesel	RWD	2998	125	170	09.11-02.14	■	
35C17, 35S17, 40C17, 45C17, 50C17, 60C17, 65C17, 70C17 (F1CE3481K)	Eq.V_ S-Model	Diesel	RWD	2998	125	170	09.11-02.14	■	
35C21, 35S21, 40C21, 45C21, 50C21, 60C21, 65C21, 70C21 (F1CE3481D)	Eq.V_ S-Model	Diesel	RWD	2998	150	205	09.11-02.14	■	
NaturalPower 35S14, 35C14, 40C14, 50C14, 65C14, 70C14 (F1CE0441A)	Eq.V_ S-Model	CNG	RWD	2998	100	136	09.11-02.14	■	
DAILY V 09.11-02.14						Van (LCVs-N1 Segment)			
35S60E Electric		Eléctrico	RWD		60	82	09.11-02.14	■	
29S11, 29L11, 35C11, 35S11, 40C11 (F1AE3481A)	Eq.V_ S-Model	Diesel	RWD	2287	78	106	09.11-02.14	■	
29S13, 29L13, 35C13, 35S13, 40C13, 40S13 (F1AE3481B)	Eq.V_ S-Model	Diesel	RWD	2287	93	126	09.11-02.14	■	
29L15 V, 35S15 V, 35C15L V, 40C15L V, 50C15L V (F1AE3481C)	Eq.V_ S-Model	Diesel	RWD	2287	107	146	09.11-02.14	■	
35C15 V, 40C15 V, 45C15 V, 50C15 V, 60C15 V, 65C15 V (F1CE3481B)		Diesel	RWD	2998	107	146	09.11-02.14	■	
35C15 V, 40C15 V, 45C15 V, 50C15 V, 60C15 V, 65C15 V (F1CE3481J)		Diesel	RWD	2998	107	146	09.11-02.14	■	
35S14 (F1CE3481L)		Diesel	RWD	2998	110	150	04.12-02.14	■	
35C17, 35S17, 40C17, 45C17, 50C17, 60C17, 65C17, 70C17 (F1CE3481C)	Eq.V_ S-Model	Diesel	RWD	2998	125	170	09.11-02.14	■	
35C17, 35S17, 40C17, 45C17, 50C17, 60C17, 65C17, 70C17 (F1CE3481K)	Eq.V_ S-Model	Diesel	RWD	2998	125	170	09.11-02.14	■	
35C21 V, 35S21 V, 40C21 V, 45C21 V, 50C21 V (F1CE3481D)	Eq.V_ S-Model	Diesel	RWD	2998	150	204	09.11-02.14	■	
NaturalPower 35S14, 35C14, 40C14, 50C14, 65C14, 70C14 (F1CE0441A)	Eq.V_ S-Model	CNG	RWD	2998	100	136	09.11-02.14	■	
DAILY VI (40C_, 65C_, 70C_, 35C_, 35S_, 50C_, 33S_) 03.14-						Platform/Chassis (LCVs-N1 Segment)			
35S60E, 35C60E		Eléctrico	RWD		60	82	10.15-	■	
45C80E, 50C80E		Eléctrico	RWD		80	109	10.15-	■	
33S11, 35S11, 35C11 (F1AFL411A)		Diesel	RWD	2287	78	106	03.14-07.21	■	
33S12, 35S12, 35C12 (F1AGL411H)		Diesel	RWD	2287	85	116	04.16-	■	
33S13, 35S13, 35C13 (F1AFL411B)		Diesel	RWD	2287	93	126	03.14-	■	
33S14, 35S14, 35C14, 38S14 (F1AGL411J)		Diesel	RWD	2287	100	136	04.16-	■	
33S15, 35S15, 35C15 (F1AFL411C)	Eq.V_ S-Model	Diesel	RWD	2287	107	146	03.14-	■	
33S16, 35S16, 35C16, 40C16, 42S16, 50C16 (F1AGL411G)		Diesel	RWD	2287	115	156	04.16-	■	
35S14, 35S15, 35C15, 40S14, 40C15, 50C15, 60C5, 65C15,... (F1CE3481J)	Eq.V_ S-Model	Diesel	RWD	2998	107	146	03.14-	■	
35S14, 35S15, 35C15, 40S14, 40C15, 50C15, 60C5, 65C15,... (F1CFL411E)	Eq.V_ S-Model	Diesel	RWD	2998	107	146	03.14-	■	

LISTA DE APLICACIONES - BUYERS GUIDE

35S14, 35S15, 35C15, 40S14, 40C15, 50C15, 60C5, 65C15,... (F1CFL411J)	Eq.V_ S-Model	Diesel	RWD	2998	107	146	03.14-	■	
35S16, 35C16, 40C16, 42S16, 50C16, 60C16, 65C16, 70C16		Diesel	RWD	2998	118	160	04.19-	■	
35S17, 35C17, 40C17, 45S17, 45C17, 50C17, 60C17, 65C17,... (F1CFL411F)		Diesel	RWD	2998	125	170	03.14-	■	
35S17, 35C17, 40C17, 45S17, 45C17, 50C17, 60C17, 65C17,... (F1CFL411H)		Diesel	RWD	2998	125	170	03.14-	■	
35S17, 55S17 4x4 (F1CFL411F)		Diesel	4WD	2998	125	170	03.14-	■	
35S21, 35C21, 40C21, 45C21, 50C21, 60C21, 65C21, 70C21 (F1CFL411G)		Diesel	RWD	2998	150	204	03.14-	■	
35S21, 35C21, 40C21, 45C21, 50C21, 60C21, 65C21, 70C21 (F1CGL411C)		Diesel	RWD	2998	150	204	03.14-	■	
NaturalPower 35S14, 35C14, 40C14, 50C14, 65C14, 70C14 (F1CFA401A)	Eq.V_ S-Model	CNG	RWD	2998	100	136	03.14-	■	
DAILY VI 03.14-					Van (LCVs-N1 Segment)				
35S/E		Eléctrico	RWD		60	82	09.16-	■	
35S60E		Eléctrico	RWD		60	82	10.15-	■	
45C/E, 50C/E		Eléctrico	RWD		80	109	09.16-	■	
50C80E		Eléctrico	RWD		80	109	10.15-	■	
33S11, 35S11, 35C11 (F1AFL411A)		Diesel	RWD	2287	78	106	03.14-07.21	■	
33S12, 35S12 (F1AGL411H)		Diesel	RWD	2287	85	116	04.16-	■	
33S12, 35S12, 35C12 (F1AGL411H)		Diesel	RWD	2287	85	116	04.16-	■	
33S13, 35S13, 35C13 (F1AFL411B)		Diesel	RWD	2287	93	126	03.14-	■	
33S14, 35S14, 35C14, 42S14 (F1AGL411J)		Diesel	RWD	2287	100	136	04.16-	■	
33S15, 35S15, 35C15 (F1AFL411C)	Eq.V_ S-Model	Diesel	RWD	2287	107	146	03.14-	■	
33S16, 35S16 (F1AGL411G)		Diesel	RWD	2287	115	156	04.16-	■	
33S16, 35S16, 35C16, 38S16, 40C16, 42S16, 50C16 (F1AGL411G)		Diesel	RWD	2287	115	156	04.16-	■	
35S15, 35C15, 40C15, 45C15, 50C15, 65C15, 70C15 (F1CE3481J)	Eq.V_ S-Model	Diesel	RWD	2998	107	146	03.14-	■	
35S15, 35C15, 40C15, 45C15, 50C15, 65C15, 70C15 (F1CFL411E)	Eq.V_ S-Model	Diesel	RWD	2998	107	146	03.14-	■	
35S15, 35C15, 40C15, 45C15, 50C15, 65C15, 70C15 (F1CFL411J)	Eq.V_ S-Model	Diesel	RWD	2998	107	146	03.14-	■	
40C15, 50C15, 65C15		Diesel	RWD	2998	107	146	03.14-04.16	■	
35S15, 35C15, 40C15, 50C15, 60C15, 65C15, 70C15		Diesel	RWD	2998	110	150	04.16-	■	
50C16		Diesel	RWD	2998	114	155	03.14-	■	
35S17, 35C17, 40C17, 50C17, 55C17, 60C17, 65C17, 70C17 (F1CFL411F)		Diesel	RWD	2998	125	170	03.14-	■	
35S17, 35C17, 40C17, 50C17, 55C17, 60C17, 65C17, 70C17 (F1CFL411H)		Diesel	RWD	2998	125	170	03.14-	■	
40C17, 50C17, 65C17		Diesel	RWD	2998	125	170	03.14-04.16	■	
35S21, 35C21, 40C21, 50C21, 60C21, 65C21, 70C21 (F1CFL411G)		Diesel	RWD	2998	150	204	03.14-	■	
35S21, 35C21, 40C21, 50C21, 60C21, 65C21, 70C21 (F1CGL411C)		Diesel	RWD	2998	150	204	03.14-	■	
35S21, 35C21, 40C21, 42S21, 50C21, 60C21, 65C21, 70C21		Diesel	RWD	2998	152	207	07.21-	■	
35S21, 35C21, 40C21, 50C21, 60C21, 65C21, 70C21		Diesel	RWD	2998	155	211	04.19-	■	
NaturalPower 35S14, 35C14, 40C14, 50C14, 65C14, 70C14 (F1CFA401A)		CNG	RWD	2998	100	136	03.14-	■	
NaturalPower 35S14, 35C14, 40C14, 50C14, 65C14, 70C14 (F1CFA401B)		CNG	RWD	2998	100	136	03.14-	■	
NaturalPower 35S14, 35C14, 40C14, 50C14, 65C14, 70C14		CNG	RWD	2998	100	136	04.16-	■	
DAILY VI CITYS 03.14-					Bus (Minibus-M2-Segment)				
50C80E		Eléctrico	RWD		80	109	04.16-	■	
40C15, 50C15, 60C15 (F1CE3481J)		Diesel	RWD	2998	107	146	03.14-	■	
40C15, 50C15, 60C15 (F1CFL411E)		Diesel	RWD	2998	107	146	03.14-	■	

LISTA DE APLICACIONES - BUYERS GUIDE

40C15, 50C15, 60C15	Diesel	RWD	2998	110	150	04.16-	■	
40C17, 50C17, 60C17 (F1CFL411F)	Diesel	RWD	2998	125	170	03.14-	■	
40C18, 50C18, 60C18	Diesel	RWD	2998	132	180	04.16-	■	
NaturalPower 40C14, 50C14, 60C14	CNG	RWD	2998	100	136	03.14-	■	
DAILY VI LINE 06.14-							Bus (Minibus-M2-Segment)	
50C80E	Eléctrico	RWD		80	109	10.15-	■	
40C15, 50C15, 60C15 (F1CE3481J)	Diesel	RWD	2998	107	146	06.14-10.16	■	
40C15, 50C15, 60C15 (F1CFL411E)	Diesel	RWD	2998	107	146	06.14-10.16	■	
40C17, 50C17, 60C17 (F1CFL411F)	Diesel	RWD	2998	125	170	06.14-10.16	■	
50C14 Natural Power (F1CFA401A)	CNG	RWD	2998	100	136	06.14-	■	
DAILY VI TOURYS 06.14-							Bus (Minibus-M2-Segment)	
50C17, 65C17 (F1CFL411F)	Diesel	RWD	2998	125	170	06.14-10.16	■	
50C18, 65C18	Diesel	RWD	2998	132	180	11.16-	■	