

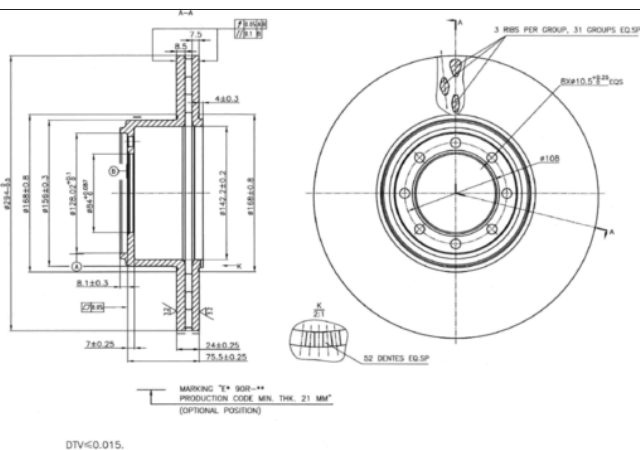
# LISTA DE APLICACIONES - BUYERS GUIDE

## 78BD8763-2



Weight: 17.412

O.E.M.	MAKE
2996043	IVECO
7186485	IVECO



## 78BD8763-2

**(E1) 90R-02C0538/0082**



Ø294x24x87.6

MAKE
IVECO



	Trac.	CC	Kw	CV			Front / Rear
--	-------	----	----	----	--	--	--------------

### IVECO

				Platform/Chassis (LCVs-N1 Segment)					
<b>DAILY III 03.98-10.09</b>									
35 C 10 V , 35 S 10 V (AMJA14A1, AMJA64A1, AMJA65A1,... (F1AE0481A)		Diesel	RWD	2287	70	95	09.02-04.06	■	
35 C 14, 35 S 14 (F1AE0481M)		Diesel	RWD	2287	100	136	01.05-04.06	■	
<b>DAILY IV 05.06-12.16</b>									
35S14, 35S14 /P (F1AE0481H)		Diesel	RWD	2287	100	136	05.06-08.11	■	
<b>DAILY IV 05.06-08.11</b>									
								<b>Dump Truck (Volquete-N2 Segment)</b>	
35C10 K (F1AE0481F)	vehicles with ABS	Diesel	RWD	2287	70	95	05.06-08.11	■	
35C11 K, 35C11 DK, 35S11 K, 35S11 DK (F1AE0481U)	vehicles with ABS, Eq.V_ C-Model	Diesel	RWD	2287	78	106	07.07-08.11	■	
35C12 (F1AE0481G)	vehicles with ABS	Diesel	RWD	2287	85	116	05.06-08.11	■	
35C13 K, 35C13 DK, 35S13 K, 35S13 DK (F1AE0481V)	vehicles with ABS, Eq.V_ C-Model	Diesel	RWD	2287	93	126	07.07-08.11	■	
35S14 K, 35S14 DK (F1AE0481H)		Diesel	RWD	2287	100	136	07.07-08.11	■	
35C14 K, 35C14 DK, 35S14 K, 35S14 DK (F1CE3481L)	vehicles with ABS, Eq.V_ C-Model	Diesel	RWD	2998	103	140	09.09-08.11	■	
40C14 K, 40C14 DK (F1CE3481L)		Diesel	RWD	2998	103	140	09.09-08.11	■	
50C14 K, 50C14 DK (F1CE3481L)		Diesel	RWD	2998	103	140	09.09-08.11	■	
60C14 K, 60C14 DK (F1CE3481L)	vehicles with ABS	Diesel	RWD	2998	103	140	09.09-08.11	■	
65C14 K, 65C14 DK (F1CE3481L)	vehicles with ABS	Diesel	RWD	2998	103	140	09.09-08.11	■	
70C14 K, 70C14 DK, 70C14 KK (F1CE3481L)	vehicles with ABS	Diesel	RWD	2998	103	140	09.09-08.11	■	
35C15 (F1CE0481F)	vehicles with ABS	Diesel	RWD	2998	107	146	05.06-08.11	■	
50C15 (F1CE0481F)		Diesel	RWD	2998	107	146	05.06-08.11	■	
60C15 (F1CE0481F)	vehicles with ABS	Diesel	RWD	2998	107	146	05.06-08.11	■	
35C17 K, 35C17 DK, 35S17 K, 35S17 DK (F1CE3481C)	vehicles with ABS, Eq.V_ C-Model	Diesel	RWD	2998	125	170	07.07-08.11	■	

## LISTA DE APLICACIONES - BUYERS GUIDE

40C17 K, 40C17 DK (F1CE3481C)		Diesel	RWD	2998	125	170	07.07-08.11	■	
50C17 K, 50C17 DK (F1CE3481C)		Diesel	RWD	2998	125	170	07.07-08.11	■	
60C17 K, 60C17 DK (F1CE3481C)	vehicles with ABS	Diesel	RWD	2998	125	170	07.07-08.11	■	
65C17 K, 65C17 DK, 65C17KK (F1CE3481C)	vehicles with ABS	Diesel	RWD	2998	125	170	07.07-08.11	■	
70C17 K, 70C17 DK, 70C17 KK (F1CE3481C)	vehicles with ABS	Diesel	RWD	2998	125	170	07.07-08.11	■	
35C18 (F1CE0481H)	vehicles with ABS	Diesel	RWD	2998	130	176	05.06-08.11	■	
50C18 (F1CE0481H)		Diesel	RWD	2998	130	176	05.06-08.11	■	
60C18 (F1CE0481H)	vehicles with ABS	Diesel	RWD	2998	130	176	05.06-08.11	■	
<b>DAILY IV 05.06-03.12</b>							<b>Platform/Chassis (LCVs-N1 Segment)</b>		
35C10, 35S10 (F1AE0481F)	vehicles with ABS, Eq.V_ C-Model	Diesel	RWD	2287	70	95	05.06-08.11	■	
35C11, 35S11, 35S11 D, 35S11 /P (F1AE0481U)	vehicles with ABS, Eq.V_ C-Model	Diesel	RWD	2287	78	106	07.07-08.11	■	
40C11, 40C11 D (F1AE0481U)		Diesel	RWD	2287	78	106	07.07-08.11	■	
35C12, 35S12 (F1AE0481G)	vehicles with ABS, Eq.V_ C-Model	Diesel	RWD	2287	85	116	05.06-08.11	■	
35C12, 35S12 (F1AE0481R)	vehicles with ABS, Eq.V_ C-Model	Diesel	RWD	2287	85	116	05.06-08.11	■	
40C12 (F1AE0481G)		Diesel	RWD	2287	85	116	05.06-08.11	■	
35C13, 35C13 /P, 35S13 D, 35S13, 35S13 /P (F1AE0481V)	vehicles with ABS, Eq.V_ C-Model	Diesel	RWD	2287	93	126	07.07-08.11	■	
40C13, 40C13 /P (F1AE0481V)		Diesel	RWD	2287	93	126	07.07-08.11	■	
35C14, 35S14, 35S14 /P (F1AE0481H)	vehicles with ABS, Eq.V_ C-Model	Diesel	RWD	2287	100	136	05.06-08.11	■	
35C14, 35C14 /P, 35S14, 35S14 /P, 35S14 D, 35S14 D/P (F1CE3481L)	vehicles with ABS, Eq.V_ C-Model	Diesel	RWD	2998	103	140	09.09-08.11	■	
40C14, 40C14 /P (F1CE3481L)		Diesel	RWD	2998	103	140	09.09-08.11	■	
45C14, 45C14 /P (F1CE3481L)	vehicles with ABS	Diesel	RWD	2998	103	140	09.09-08.11	■	
50C14, 50C14 /P (F1CE3481L)		Diesel	RWD	2998	103	140	09.09-08.11	■	
60C14, 60C14 /P (F1CE3481L)	vehicles with ABS	Diesel	RWD	2998	103	140	09.09-08.11	■	
65C14, 65C14 /P (F1CE3481L)	vehicles with ABS	Diesel	RWD	2998	103	140	09.09-08.11	■	
70C14, 70C14 /P (F1CE3481L)	vehicles with ABS	Diesel	RWD	2998	103	140	09.09-08.11	■	
35C15 (F1CE0481F)	vehicles with ABS	Diesel	RWD	2998	107	146	05.06-08.11	■	
40C15 (F1CE0481F)		Diesel	RWD	2998	107	146	05.06-08.11	■	
45C15 (F1CE0481F)		Diesel	RWD	2998	107	146	05.06-08.11	■	
50C15 (F1CE0481F)		Diesel	RWD	2998	107	146	05.06-08.11	■	
60C15, 60C15 /P, 60C15 D, 60C15 D/P (F1CE0481F)	vehicles with ABS	Diesel	RWD	2998	107	146	05.06-08.11	■	
65C15, 65C15 /P, 65C15 D, 65C15 D/P (F1CE0481F)	vehicles with ABS	Diesel	RWD	2998	107	146	05.06-08.11	■	
70C15 (F1CE0481F)	vehicles with ABS	Diesel	RWD	2998	107	146	07.08-08.11	■	
35C17, 35C17 /P, 35S17, 35S17 /P, 35S17 D (F1CE3481C)	vehicles with ABS, Eq.V_ C-Model	Diesel	RWD	2998	125	170	07.07-08.11	■	
35S17 W, 35S17 WD (F1CE3481C)		Diesel	4WD	2998	125	170	07.07-08.11	■	
40C17, 40C17 /P (F1CE3481C)		Diesel	RWD	2998	125	170	07.07-08.11	■	
45C17, 45C17 /P (F1CE3481C)		Diesel	RWD	2998	125	170	07.07-08.11	■	
50C17, 50C17 /P (F1CE3481C)		Diesel	RWD	2998	125	170	07.07-08.11	■	
55S17 W, 55S17 WD (F1CE3481C)		Diesel	4WD	2998	125	170	07.07-08.11	■	
60C17, 60C17 /P (F1CE3481C)	vehicles with ABS	Diesel	RWD	2998	125	170	07.07-08.11	■	
65C17, 65C17 /P (F1CE3481C)	vehicles with ABS	Diesel	RWD	2998	125	170	07.07-08.11	■	
70C17, 70C17P (F1CE3481C)	vehicles with ABS	Diesel	RWD	2998	125	170	09.09-08.11	■	
35C18, 35S18 (F1CE0481H)	vehicles with ABS, Eq.V_ C-Model	Diesel	RWD	2998	130	176	05.06-08.11	■	
40C18 (F1CE0481H)		Diesel	RWD	2998	130	176	05.06-08.11	■	
45C18, 45C18 /P, 45C18 D, 45C18 D/P (F1CE0481H)		Diesel	RWD	2998	130	176	05.06-08.11	■	
50C18 (F1CE0481H)		Diesel	RWD	2998	130	176	05.06-08.11	■	

## LISTA DE APLICACIONES - BUYERS GUIDE

60C18 (F1CE0481H)	vehicles with ABS	Diesel	RWD	2998	130	176	05.06-08.11	■
65C18 (F1CE0481H)	vehicles with ABS	Diesel	RWD	2998	130	176	05.06-08.11	■
35C14 G, 35C14 G/P, 35S14 G, 35S14 G/P, 35C14 GD,... (F1CE0441A)	vehicles with ABS, Eq.V_ C-Model	CNG	RWD	2998	100	136	07.07-08.11	■
40C14 G, 40C14 G/P (F1CE0441A)		CNG	RWD	2998	100	136	07.07-08.11	■
50C14 G, 50C14 G/P, 50C14 GD, 50C14 GD/P (F1CE0441A)		CNG	RWD	2998	100	136	07.07-08.11	■
65C14 G, 65C14 G/P, 65C14 GD, 65C14 GD/P (F1CE0441A)	vehicles with ABS	CNG	RWD	2998	100	136	07.07-08.11	■
<b>DAILY IV 05.06-03.12</b>				<b>Van (LCVs-N1 Segment)</b>				
35C10, 35S10 (F1AE0481F)	vehicles with ABS, Eq.V_ C-Model	Diesel	RWD	2287	70	95	05.06-08.11	■
35C11 V, 35S11 V (F1AE0481U)	vehicles with ABS, Eq.V_ C-Model	Diesel	RWD	2287	78	106	07.07-08.11	■
40C11 V (F1AE0481U)		Diesel	RWD	2287	78	106	07.07-08.11	■
35C12 V, 35C12 V/P, 35S12 V, 35S12 V/P (F1AE0481G)	vehicles with ABS, Eq.V_ C-Model	Diesel	RWD	2287	85	116	05.06-08.11	■
35C12 V, 35C12 V/P, 35S12 V, 35S12 V/P (F1AE0481R)	vehicles with ABS, Eq.V_ C-Model	Diesel	RWD	2287	85	116	05.06-08.11	■
40C12 V, 40C14 V/P (F1AE0481G)		Diesel	RWD	2287	85	116	05.06-08.11	■
35C13 V, 35C13 V/P, 35S13 V, 35S13 V/P (F1AE0481V)	vehicles with ABS, Eq.V_ C-Model	Diesel	RWD	2287	93	126	07.07-08.11	■
40C13 V, 40C13 V/P (F1AE0481V)		Diesel	RWD	2287	93	126	07.07-08.11	■
35S14 C, 35S14 C/P, 35S14 V, 35S14 V/P, 35C14 V,... (F1AE0481H)	vehicles with ABS, Eq.V_ C-Model	Diesel	RWD	2287	100	136	05.06-08.11	■
35C14 V, 35C14 V/P, 35S14 V, 35S14 V/P (F1CE3481L)	vehicles with ABS, Eq.V_ C-Model	Diesel	RWD	2998	103	140	09.09-08.11	■
40C14 V, 40C14 V/P (F1CE3481L)		Diesel	RWD	2998	103	140	09.09-08.11	■
50C14 V, 50C14 V/P (F1CE3481L)		Diesel	RWD	2998	103	140	09.09-08.11	■
65C14 V, 65C14 V/P (F1CE3481L)	vehicles with ABS	Diesel	RWD	2998	103	140	09.09-08.11	■
70C14 V, 70C14 V/P (F1CE3481L)	vehicles with ABS	Diesel	RWD	2998	103	140	09.09-08.11	■
35C15 V, 35C15 V/P (F1CE0481F)	vehicles with ABS	Diesel	RWD	2998	107	146	05.06-08.11	■
35S15 (F1CE0481L)		Diesel	RWD	2998	107	145	06.06-08.11	■
40C15 V, 40C15 V/P (F1CE0481F)		Diesel	RWD	2998	107	146	05.06-08.11	■
45C15 V (F1CE0481F)		Diesel	RWD	2998	107	146	05.06-08.11	■
50C15 V, 50C15 V/P (F1CE0481F)		Diesel	RWD	2998	107	146	05.06-08.11	■
60C15 V (F1CE0481F)	vehicles with ABS	Diesel	RWD	2998	107	146	05.06-08.11	■
65C15 (F1CE0481F)	vehicles with ABS	Diesel	RWD	2998	107	146	05.06-08.11	■
35C17 V, 35C17 V/P, 35S17 V, 35S17 V/P (F1CE3481C)	vehicles with ABS, Eq.V_ C-Model	Diesel	RWD	2998	125	170	07.07-08.11	■
40C17 V, 40C17 V/P (F1CE3481C)		Diesel	RWD	2998	125	170	07.07-08.11	■
45C17 V, 45C17 V/P (F1CE3481C)		Diesel	RWD	2998	125	170	07.07-08.11	■
50C17 V, 50C17 V/P (F1CE3481C)		Diesel	RWD	2998	125	170	07.07-08.11	■
55C17 (F1CE3481C)		Diesel	RWD	2998	125	170	08.07-03.12	■
60C17 V, 60C17 V/P (F1CE3481C)	vehicles with ABS	Diesel	RWD	2998	125	170	07.07-08.11	■
65C17 V, 65C17 V/P (F1CE3481C)	vehicles with ABS	Diesel	RWD	2998	125	170	07.07-08.11	■
70C17V, 70C17 V/P (F1CE3481C)	vehicles with ABS	Diesel	RWD	2998	125	170	07.07-08.11	■
35C18 V, 35C18 V/P, 35S18 V, 35S18 V/P (F1CE0481H)	vehicles with ABS, Eq.V_ C-Model	Diesel	RWD	2998	130	176	05.06-08.11	■
40C18 V, 40C18 V/P (F1CE0481H)		Diesel	RWD	2998	130	176	05.06-08.11	■
45C18 (F1CE0481H)		Diesel	RWD	2998	130	176	05.06-08.11	■
50C18 V, 50C18 V/P (F1CE0481H)		Diesel	RWD	2998	130	176	05.06-08.11	■
60C18 (F1CE0481H)	vehicles with ABS	Diesel	RWD	2998	130	176	05.06-08.11	■
65C18 (F1CE0481H)	vehicles with ABS	Diesel	RWD	2998	130	176	05.06-08.11	■
35C14 GV, 35C14 GV/P, 35S14 GV, 35S14 GV/P (F1CE0441A)	vehicles with ABS, Eq.V_ C-Model	CNG	RWD	2998	100	136	07.07-08.11	■
40C14 GV, 40C14 GV/P (F1CE0441A)		CNG	RWD	2998	100	136	07.07-08.11	■
50C14 GV, 50C14 GV/P (F1CE0441A)		CNG	RWD	2998	100	136	07.07-08.11	■

# LISTA DE APLICACIONES - BUYERS GUIDE

<b>DAILY V 09.11-02.14</b>						<b>Dump Truck (Volquete-N2 Segment)</b>			
35C11K, 35S11DKP (F1AE3481A)	vehicles with ABS, Eq.V_ C-Model	Diesel	RWD	2287	78	106	09.11-02.14	■	
35C13K, 35C13DKP (F1AE3481B)	vehicles with ABS	Diesel	RWD	2287	93	126	09.11-02.14	■	
35C15K, 35S15DKP, 50C15K, 60C15K, 65C15DK, 70C15K (F1CE3481B)	Eq.V_ C-Model	Diesel	RWD	2998	107	146	09.11-02.14	■	
35C17K, 35S17DKP, 50C17K, 65C17DK 70C17K (F1CE3481C)	Eq.V_ C-Model	Diesel	RWD	2998	125	170	09.11-02.14	■	
35C17K, 35S17DKP, 50C17K, 65C17DK 70C17K (F1CE3481K)	Eq.V_ C-Model	Diesel	RWD	2998	125	170	09.11-02.14	■	
<b>DAILY V 09.11-02.14</b>						<b>Platform/Chassis (LCVs-N1 Segment)</b>			
26L11, 29L11, 29S11, 35C11D, 35S11, 40C11 (F1AE3481A)	Eq.V_ C-Model	Diesel	RWD	2287	78	106	09.11-02.14	■	
29S13, 29L13, 29L13D, 35S13, 35C13D, 40C13 (F1AE3481B)	Eq.V_ C-Model	Diesel	RWD	2287	93	126	09.11-02.14	■	
29L15, 35S15, 35C15, 40C15, 50C15 (F1AE3481C)	Eq.V_ C-Model	Diesel	RWD	2287	107	146	09.11-02.14	■	
35C15, 35S15, 40C15, 45C15, 50C15, 60C15, 65C15, 70C15 (F1CE3481B)	Eq.V_ C-Model	Diesel	RWD	2998	107	146	09.11-02.14	■	
35C15, 35S15, 40C15, 45C15, 50C15, 60C15, 65C15, 70C15 (F1CE3481J)	Eq.V_ C-Model	Diesel	RWD	2998	107	146	09.11-02.14	■	
35C17, 35S17, 40C17, 45C17, 50C17, 60C17, 65C17, 70C17 (F1CE3481C)	Eq.V_ C-Model	Diesel	RWD	2998	125	170	09.11-02.14	■	
35C17, 35S17, 40C17, 45C17, 50C17, 60C17, 65C17, 70C17 (F1CE3481K)	Eq.V_ C-Model	Diesel	RWD	2998	125	170	09.11-02.14	■	
35C21, 35S21, 40C21, 45C21, 50C21, 60C21, 65C21, 70C21 (F1CE3481D)	Eq.V_ C-Model	Diesel	RWD	2998	150	205	09.11-02.14	■	
NaturalPower 35S14, 35C14, 40C14, 50C14, 65C14, 70C14 (F1CE0441A)	Eq.V_ C-Model	CNG	RWD	2998	100	136	09.11-02.14	■	
<b>DAILY V 09.11-02.14</b>						<b>Van (LCVs-N1 Segment)</b>			
35S60E Electric	vehicles with ABS, Eq.V_ C-Model	Eléctrico	RWD		60	82	09.11-02.14	■	
29S11, 29L11, 35C11, 35S11, 40C11 (F1AE3481A)	Eq.V_ C-Model	Diesel	RWD	2287	78	106	09.11-02.14	■	
29S13, 29L13, 35C13, 35S13, 40C13, 40S13 (F1AE3481B)	Eq.V_ C-Model	Diesel	RWD	2287	93	126	09.11-02.14	■	
29L15 V, 35S15 V, 35C15L V, 40C15L V, 50C15L V (F1AE3481C)	Eq.V_ C-Model	Diesel	RWD	2287	107	146	09.11-02.14	■	
35C15 V, 40C15 V, 45C15 V, 50C15 V, 60C15 V, 65C15 V (F1CE3481B)	Eq.V_ C-Model	Diesel	RWD	2998	107	146	09.11-02.14	■	
35C15 V, 40C15 V, 45C15 V, 50C15 V, 60C15 V, 65C15 V (F1CE3481J)	Eq.V_ C-Model	Diesel	RWD	2998	107	146	09.11-02.14	■	
35S14 (F1CE3481L)		Diesel	RWD	2998	110	150	04.12-02.14	■	
35C17, 35S17, 40C17, 45C17, 50C17, 60C17, 65C17, 70C17 (F1CE3481C)	Eq.V_ C-Model	Diesel	RWD	2998	125	170	09.11-02.14	■	
35C17, 35S17, 40C17, 45C17, 50C17, 60C17, 65C17, 70C17 (F1CE3481K)	Eq.V_ C-Model	Diesel	RWD	2998	125	170	09.11-02.14	■	
35C21 V, 35S21 V, 40C21 V, 45C21 V, 50C21 V (F1CE3481D)	Eq.V_ C-Model	Diesel	RWD	2998	150	204	09.11-02.14	■	
NaturalPower 35S14, 35C14, 40C14, 50C14, 65C14, 70C14 (F1CE0441A)	Eq.V_ C-Model	CNG	RWD	2998	100	136	09.11-02.14	■	
<b>DAILY VI (40C_, 65C_, 70C_, 35C_, 35S_, 50C_, 33S_) 03.14-</b>						<b>Platform/Chassis (LCVs-N1 Segment)</b>			
33S11, 35S11, 35C11 (F1AFL411A)	Eq.V_ C-Model	Diesel	RWD	2287	78	106	03.14-07.21	■	
33S13, 35S13, 35C13 (F1AFL411B)	Eq.V_ C-Model	Diesel	RWD	2287	93	126	03.14-	■	
33S14, 35S14, 35C14, 38S14 (F1AGL411J)	Eq.V_ C-Model	Diesel	RWD	2287	100	136	04.16-	■	
33S15, 35S15, 35C15 (F1AFL411C)	Eq.V_ C-Model, vehicles with ABS	Diesel	RWD	2287	107	146	03.14-	■	
35S14, 35S15, 35C15, 40S14, 40C15, 50C15, 60C5, 65C15,... (F1CE3481J)	vehicles with ABS, Eq.V_ C-Model	Diesel	RWD	2998	107	146	03.14-	■	
35S14, 35S15, 35C15, 40S14, 40C15, 50C15, 60C5, 65C15,... (F1CFL411E)	vehicles with ABS, Eq.V_ C-Model	Diesel	RWD	2998	107	146	03.14-	■	
35S14, 35S15, 35C15, 40S14, 40C15, 50C15, 60C5, 65C15,... (F1CFL411J)	vehicles with ABS, Eq.V_ C-Model	Diesel	RWD	2998	107	146	03.14-	■	
35S15, 35C15, 40C15, 50C15, 60C15, 65C15, 70C15	Eq.V_ C-Model	Diesel	RWD	2998	110	150	04.16-	■	

## LISTA DE APLICACIONES - BUYERS GUIDE

35S17, 35C17, 40C17, 45S17, 45C17, 50C17, 60C17, 65C17,... (F1CFL411F)	Eq.V_ C-Model	Diesel	RWD	2998	125	170	03.14-	■
35S17, 35C17, 40C17, 45S17, 45C17, 50C17, 60C17, 65C17,... (F1CFL411H)	Eq.V_ C-Model	Diesel	RWD	2998	125	170	03.14-	■
35S18, 35C18, 55C18, 55S18, 70C18, 70S18		Diesel	4WD	2998	129	175	06.22-	■
35S18, 35C18, 40C18, 45C18, 50C18, 60C18, 65C18, 70C18 (F1CFL411W)	Eq.V_ C-Model	Diesel	RWD	2998	132	180	04.16-	■
35S18, 35C18, 40C18, 45C18, 50C18, 60C18, 65C18, 70C18 (F1CGL411B)	Eq.V_ C-Model	Diesel	RWD	2998	132	180	04.16-	■
35S18, 55S18, 55C18, 70S18, 70C18 4x4 (F1CFL411W)	Eq.V_ C-Model	Diesel	4WD	2998	132	180	04.16-	■
35S18, 55S18, 55C18, 70S18, 70C18 4x4 (F1CGL411B)	Eq.V_ C-Model	Diesel	4WD	2998	132	180	04.16-	■
35S21, 35C21, 40C21, 45C21, 50C21, 60C21, 65C21, 70C21 (F1CFL411G)	Eq.V_ C-Model	Diesel	RWD	2998	150	204	03.14-	■
35S21, 35C21, 40C21, 45C21, 50C21, 60C21, 65C21, 70C21 (F1CGL411C)	Eq.V_ C-Model	Diesel	RWD	2998	150	204	03.14-	■
NaturalPower 35S14, 35C14, 40C14, 50C14, 65C14, 70C14 (F1CFA401A)	Eq.V_ C-Model	CNG	RWD	2998	100	136	03.14-	■
<b>DAILY VI 03.14-</b>					<b>Van (LCVs-N1 Segment)</b>			
33S11, 35S11, 35C11 (F1AFL411A)	Eq.V_ C-Model	Diesel	RWD	2287	78	106	03.14-07.21	■
33S13, 35S13, 35C13 (F1AFL411B)	Eq.V_ C-Model	Diesel	RWD	2287	93	126	03.14-	■
33S14, 35S14 (F1AGL411J)	Eq.V_ C-Model	Diesel	RWD	2287	100	136	04.16-	■
33S14, 35S14, 35C14, 42S14 (F1AGL411J)	Eq.V_ C-Model	Diesel	RWD	2287	100	136	04.16-	■
33S15, 35S15, 35C15 (F1AFL411C)	vehicles with ABS, Eq.V_ C-Model	Diesel	RWD	2287	107	146	03.14-	■
35S15, 35C15, 40C15, 45C15, 50C15, 65C15, 70C15 (F1CE3481J)	vehicles with ABS, Eq.V_ C-Model	Diesel	RWD	2998	107	146	03.14-	■
35S15, 35C15, 40C15, 45C15, 50C15, 65C15, 70C15 (F1CFL411E)	vehicles with ABS, Eq.V_ C-Model	Diesel	RWD	2998	107	146	03.14-	■
35S15, 35C15, 40C15, 45C15, 50C15, 65C15, 70C15 (F1CFL411J)	vehicles with ABS, Eq.V_ C-Model	Diesel	RWD	2998	107	146	03.14-	■
40C15, 50C15, 65C15	Eq.V_ C-Model	Diesel	RWD	2998	107	146	03.14-04.16	■
35S15, 35C15, 40C15, 50C15, 60C15, 65C15, 70C15	Eq.V_ C-Model	Diesel	RWD	2998	110	150	04.16-	■
35S15, 35C15, 40C15, 50C15, 60C15, 65C15, 70C15	Eq.V_ C-Model	Diesel	RWD	2998	110	150	04.16-	■
50C16	Eq.V_ C-Model	Diesel	RWD	2998	114	155	03.14-	■
35S17, 35C17, 40C17, 50C17, 55C17, 60C17, 65C17, 70C17 (F1CFL411F)	Eq.V_ C-Model	Diesel	RWD	2998	125	170	03.14-	■
35S17, 35C17, 40C17, 50C17, 55C17, 60C17, 65C17, 70C17 (F1CFL411H)	Eq.V_ C-Model	Diesel	RWD	2998	125	170	03.14-	■
40C17, 50C17, 65C17	Eq.V_ C-Model	Diesel	RWD	2998	125	170	03.14-04.16	■
35S18, 35C18, 40C18, 50C18, 60C18, 65C18, 70C18	Eq.V_ C-Model	Diesel	RWD	2998	132	180	04.16-	■
35S18, 35C18, 40C18, 50C18, 60C18, 65C18, 70C18	Eq.V_ C-Model	Diesel	RWD	2998	132	180	04.16-	■
55S18, 55C18, 70S18, 70C18		Diesel	4WD	2998	132	179	01.18-	■
35S21, 35C21, 40C21, 50C21, 60C21, 65C21, 70C21 (F1CFL411G)	Eq.V_ C-Model	Diesel	RWD	2998	150	204	03.14-	■
35S21, 35C21, 40C21, 50C21, 60C21, 65C21, 70C21 (F1CGL411C)	Eq.V_ C-Model	Diesel	RWD	2998	150	204	03.14-	■
35S21, 35C21, 40C21, 42S21, 50C21, 60C21, 65C21, 70C21		Diesel	RWD	2998	152	207	07.21-	■
35S21, 35C21, 40C21, 50C21, 60C21, 65C21, 70C21		Diesel	RWD	2998	155	211	04.19-	■
NaturalPower 35S14, 35C14, 40C14, 50C14, 65C14, 70C14 (F1CFA401A)	Eq.V_ C-Model	CNG	RWD	2998	100	136	03.14-	■
NaturalPower 35S14, 35C14, 40C14, 50C14, 65C14, 70C14 (F1CFA401B)	Eq.V_ C-Model	CNG	RWD	2998	100	136	03.14-	■
NaturalPower 35S14, 35C14, 40C14, 50C14, 65C14, 70C14	Eq.V_ C-Model	CNG	RWD	2998	100	136	04.16-	■
<b>DAILY VI CITYS 03.14-</b>					<b>Bus (Minibus-M2-Segment)</b>			
50C80E	Eq.V_ C-Model	Eléctrico	RWD		80	109	04.16-	■
40C15, 50C15, 60C15 (F1CE3481J)	Eq.V_ C-Model	Diesel	RWD	2998	107	146	03.14-	■

## LISTA DE APLICACIONES - BUYERS GUIDE

40C15, 50C15, 60C15 (F1CFL411E)	Eq.V_ C-Model	Diesel	RWD	2998	107	146	03.14-
40C17, 50C17, 60C17 (F1CFL411F)	Eq.V_ C-Model	Diesel	RWD	2998	125	170	03.14-
NaturalPower 40C14, 50C14, 60C14	Eq.V_ C-Model	CNG	RWD	2998	100	136	03.14-

