

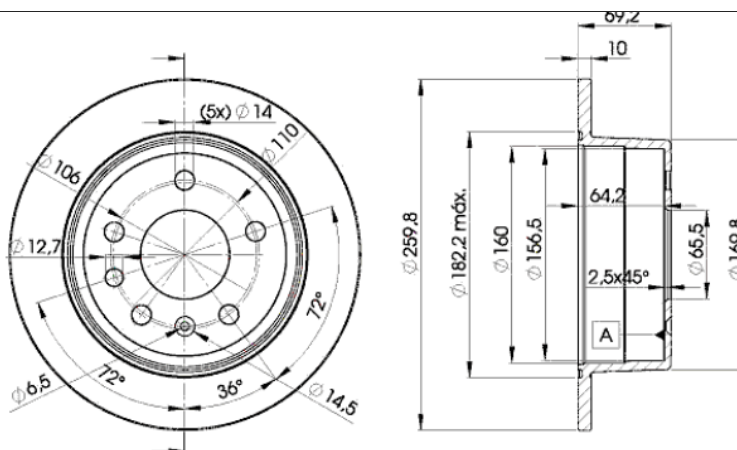
LISTA DE APLICACIONES - BUYERS GUIDE

78BD9105-2



Weight: 8.630

O.E.M.	MAKE
42 41 477	SAAB
48 39 015	SAAB
5 69 105	OPEL
90 445 525	VAUXHALL
90 509 590	VAUXHALL



78BD9105-2

E1 90R-02C0241/0038



Ø260x10x69.2

MAKE
OPEL
SAAB
VAUXHALL



Trac.	CC	Kw	CV	Hourglass icon	Front / Rear
-------	----	----	----	----------------	--------------

OPEL

VECTRA A (J89) 04.88-12.95							Hatchback (Large family car-D Segment)	
2.5 V6 (F68, M68) (C 25 XE)	Gasolina	FWD	2498	125	170	02.93-11.95	■	
VECTRA A (J89) 08.88-12.95							Saloon (Large family car-D Segment)	
2.5 CD	Gasolina	FWD	2498	125	170	08.92-08.95	■	
2.5 V6 (F19, M19) (C 25 XE)	Gasolina	FWD	2498	125	170	02.93-11.95	■	

SAAB

900 06.78-06.94							Hatchback (Compact executive car-D Segment)	
2.0 Turbo-16 (B202L)	Gasolina	FWD	1985	132	180	01.93-06.94	■	
900 II 09.93-04.99							Convertible (Compact executive car-D Segment)	
2.0 i (B204I)	Gasolina	FWD	1985	96	131	12.93-02.98	■	
2.0 -16 Turbo (B204L)	Gasolina	FWD	1985	136	185	12.93-02.98	■	
2.3 -16 (B234I)	Gasolina	FWD	2290	110	150	12.93-02.98	■	
2.5 -24 V6 (B258I)	Gasolina	FWD	2498	125	170	12.93-02.98	■	
900 II 12.93-04.99							Coupe (Compact executive car-D Segment)	
2.0 i (B204I)	Gasolina	FWD	1985	96	131	08.94-02.98	■	
2.0 i (B206I)	Gasolina	FWD	1985	98	133	12.93-07.94	■	
2.0 -16 Turbo (B204L)	Gasolina	FWD	1985	136	185	12.93-02.98	■	
2.3 -16 (B234I)	Gasolina	FWD	2290	110	150	12.93-02.98	■	
2.5 -24 V6 (B258I)	Gasolina	FWD	2498	125	170	12.93-02.98	■	
900 II 07.93-04.99							Hatchback (Compact executive car-D Segment)	
2.0 i (B204I)	Gasolina	FWD	1985	96	131	08.94-02.98	■	

LISTA DE APLICACIONES - BUYERS GUIDE

2.0 i (B206I)		Gasolina	FWD	1985	98	133	07.93-07.94	■	
2.0 -16 Turbo (B204L)		Gasolina	FWD	1985	136	185	07.93-02.98	■	
2.3 -16 (B234I)		Gasolina	FWD	2290	110	150	07.93-02.98	■	
2.5 -24 V6 (B258I)		Gasolina	FWD	2498	125	170	07.93-02.98	■	
9-3 (YS3D) 02.98-08.03							Hatchback (Compact executive car-D Segment)		
2.0 Turbo (B205E)	09/01-	Gasolina	FWD	1985	110	150	03.99-09.02	■	
9-5 (YS3E) 10.98-12.09							Estate (Executive car-E Segment)		
2.0 t Biopower (B205E)		Gasol./Etanol	FWD	1985	132	179	09.05-12.09	■	
2.3 t BioPower (B235R)		Gasol./Etanol	FWD	2290	152	207	11.06-12.09	■	
1.9 TiD (Z 19 DTR)		Diesel	FWD	1910	129	175	01.07-12.09	■	
9-5 (YS3E) 09.97-12.11							Saloon (Executive car-E Segment)		
2.3 Turbo (B235R)		Gasolina	FWD	2290	224	305	06.03-08.05	■	
2.3 t BioPower (B235R)		Gasol./Etanol	FWD	2290	152	207	11.06-12.09	■	
VAUXHALL									
CAVALIER Mk III (J89) 08.88-11.95							Saloon (Large family car-D Segment)		
2.5 V6 (C 25 XE)		Gasolina	FWD	2498	125	170	08.88-06.94	■	
CAVALIER Mk III CC (J89) 09.88-11.95							Hatchback (Large family car-D Segment)		
2.5 V6 (C 25 XE)		Gasolina	FWD	2498	125	170	09.88-06.94	■	