

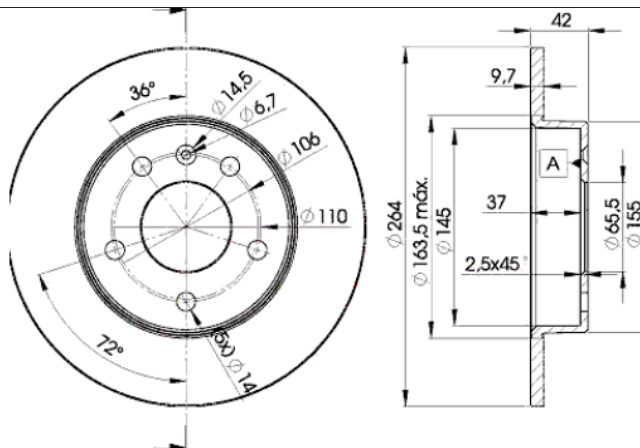
LISTA DE APLICACIONES - BUYERS GUIDE

78BD9110-2



Weight: 7.616

| O.E.M. | MAKE |
|------------|----------|
| 5 69 109 | OPEL |
| 90 575 113 | VAUXHALL |
| 91 177 72 | VAUXHALL |



78BD9110-2

E1 90R-02C0415/0009



Ø264x10x42

| MAKE |
|-----------|
| CHEVROLET |
| OPEL |
| VAUXHALL |



| Trac. | CC | Kw | CV |
|-------|----|----|----|
|-------|----|----|----|



Front / Rear

CHEVROLET

ASTRA 09.94-12.11

Estate (Compact car-C Segment)

| Model | Trac. | CC | Kw | CV | Period | Front / Rear |
|----------------|----------|-----|------|-----|-----------------|--------------|
| 1.8 GLS | Gasolina | FWD | 1796 | 81 | 110 08.02-12.11 | ■ |
| 2.0 (X 20 XEV) | Gasolina | FWD | 1998 | 94 | 128 10.99-07.02 | ■ |
| 2.0 (C 20 SEL) | Gasolina | FWD | 1998 | 100 | 136 08.02-07.05 | ■ |
| 2.2 | Gasolina | FWD | 2198 | 108 | 147 01.01-12.03 | ■ |

ASTRA 09.98-12.11

Hatchback (Compact car-C Segment)

| Model | Trac. | CC | Kw | CV | Period | Front / Rear |
|-----------------------------|----------|-----|------|-----|-----------------|--------------|
| 1.8 (08, 48) (C 18 NE) | Gasolina | FWD | 1796 | 81 | 110 09.98-12.11 | ■ |
| 1.8 (08, 48) (C 18 YE) | Gasolina | FWD | 1796 | 81 | 110 09.98-12.11 | ■ |
| 1.8 (08, 48) (LC5(110CUL4)) | Gasolina | FWD | 1796 | 81 | 110 09.98-12.11 | ■ |
| 2.0 (C 20 SEJ) | Gasolina | FWD | 1998 | 82 | 112 03.99-07.02 | ■ |
| 2.0 (LE4(122CUL4)) | Gasolina | FWD | 1998 | 85 | 116 08.02-12.11 | ■ |
| 2.0 (X 20 XEV) | Gasolina | FWD | 1998 | 94 | 128 03.99-07.02 | ■ |
| 2.0 (08, 48) (L34(122CUL4)) | Gasolina | FWD | 1998 | 100 | 136 08.02-07.05 | ■ |
| 2.2 (Z 22 SE) | Gasolina | FWD | 2198 | 108 | 147 08.00-08.04 | ■ |
| 1.7 Di (Y 17 DT) | Diesel | FWD | 1686 | 55 | 75 08.00-08.03 | ■ |
| 2.0 DTI (LD1) | Diesel | FWD | 1995 | 74 | 101 08.02-12.11 | ■ |

ASTRA 10.98-12.11

Saloon (Compact car-C Segment)

| Model | Trac. | CC | Kw | CV | Period | Front / Rear |
|------------------------|----------|-----|------|----|-----------------|--------------|
| 1.8 Flexfuel (C 18 NE) | Gasolina | FWD | 1796 | 81 | 110 03.99-12.11 | ■ |
| 1.8 Flexfuel (C 18 YE) | Gasolina | FWD | 1796 | 81 | 110 03.99-12.11 | ■ |
| 1.8 (2H9) | Gasolina | FWD | 1796 | 92 | 125 08.02-06.05 | ■ |
| 2.0 GL (LE4(122CUL4)) | Gasolina | FWD | 1998 | 82 | 112 10.98-07.02 | ■ |
| 2.0 GL (LE4(122CUL4)) | Gasolina | FWD | 1998 | 85 | 116 08.02-12.11 | ■ |
| 2.0 GLS (X 20 XEV) | Gasolina | FWD | 1998 | 94 | 128 03.99-07.02 | ■ |

LISTA DE APLICACIONES - BUYERS GUIDE

| | | | | | | | | | |
|--|---------------------------|----------|-----|------|--|-----|-------------|---|--|
| 2.0 GLS (69) (C 20 SEL) | | Gasolina | FWD | 1998 | 100 | 136 | 08.02-12.11 | ■ | |
| 2.0 GLS (69) (L34(122CUL4)) | | Gasolina | FWD | 1998 | 100 | 136 | 08.02-12.11 | ■ | |
| 2.0 DTi GLS (LD1) | | Diesel | FWD | 1995 | 74 | 101 | 08.02-12.11 | ■ | |
| VIVA 09.03-03.08 | | | | | Saloon (Compact car-C Segment) | | | | |
| 1.8 | | Gasolina | FWD | 1796 | 90 | 122 | 09.03-03.08 | ■ | |
| 1.8 (2H9) | | Gasolina | FWD | 1796 | 92 | 125 | 09.03-03.08 | ■ | |
| ZAFIRA II 07.05- | | | | | MPV (Compact MPV-M1 Segment) | | | | |
| 2.2 (Z 22 YH) | | Gasolina | FWD | 2198 | 110 | 150 | 07.05- | ■ | |
| ZAFIRA / NABIRA (F75) 02.99-12.12 | | | | | MPV (Compact MPV-M1 Segment) | | | | |
| 1.8 (C 18 YE) | | Gasolina | FWD | 1796 | 81 | 110 | 02.99-07.01 | ■ | |
| 2.0 (LE4(122CUL4)) | | Gasolina | FWD | 1998 | 85 | 116 | 04.01-07.04 | ■ | |
| 2.0 (X 20 XE) | | Gasolina | FWD | 1998 | 89 | 121 | 08.04-12.12 | ■ | |
| 2.0 (C 20 SEL) | | Gasolina | FWD | 1998 | 100 | 136 | 04.01-07.12 | ■ | |
| 2.0 (L34(122CUL4)) | | Gasolina | FWD | 1998 | 100 | 136 | 04.01-07.12 | ■ | |
| 2.2 | | Gasolina | FWD | 2198 | 91 | 124 | 04.01-07.04 | ■ | |
| 2.2 (Z 22 YH) | | Gasolina | FWD | 2198 | 110 | 150 | 09.05-12.06 | ■ | |
| OPEL | | | | | | | | | |
| ASTRA G (T98) 03.01-10.05 | | | | | Convertible (Compact car-C Segment) | | | | |
| 1.8 16V (F67) (Z 18 XE) | | Gasolina | FWD | 1796 | 92 | 125 | 03.01-10.05 | ■ | |
| 2.0 OPC (F67) (Z 20 LET) | | Gasolina | FWD | 1998 | 141 | 192 | 03.02-10.05 | ■ | |
| 2.0 16V Turbo (F67) (Z 20 LET) | | Gasolina | FWD | 1998 | 147 | 200 | 11.02-10.05 | ■ | |
| 2.2 16V (F67) (Z 22 SE) | | Gasolina | FWD | 2198 | 108 | 147 | 03.01-10.05 | ■ | |
| 2.2 DTI (F67) (Y 22 DTR) | | Diesel | FWD | 2172 | 92 | 125 | 09.02-10.05 | ■ | |
| ASTRA G (T98) 03.00-06.06 | | | | | Coupe (Compact car-C Segment) | | | | |
| 1.6 16V (F07) (Z 16 XE) | | Gasolina | FWD | 1598 | 74 | 101 | 03.00-05.05 | ■ | |
| 1.6 16V (F07) (Z 16 XEP) | 02/04- | Gasolina | FWD | 1598 | 76 | 103 | 03.00-05.05 | ■ | |
| 1.8 16V (F07) (X 18 XE1) | | Gasolina | FWD | 1796 | 85 | 116 | 03.00-10.00 | ■ | |
| 1.8 16V (F07) (Z 18 XE) | | Gasolina | FWD | 1796 | 92 | 125 | 09.00-05.05 | ■ | |
| 2.0 16V Turbo (F07) (Z 20 LET) | | Gasolina | FWD | 1998 | 140 | 190 | 09.00-08.01 | ■ | |
| 2.0 16V Turbo (F07) (Z 20 LET) | | Gasolina | FWD | 1998 | 141 | 192 | 08.01-05.05 | ■ | |
| 2.0 16V Turbo (F07) (Z 20 LET) | | Gasolina | FWD | 1998 | 147 | 200 | 11.02-05.05 | ■ | |
| 2.2 16V (F07) (Z 22 SE) | | Gasolina | FWD | 2198 | 108 | 147 | 09.00-05.05 | ■ | |
| 2.2 DTI (F07) (Y 22 DTR) | 03/03- | Diesel | FWD | 2172 | 92 | 125 | 09.02-05.05 | ■ | |
| ASTRA G (F70) 09.98-04.05 | | | | | Estate Van (Compact car-C Segment) | | | | |
| 2.0 DI (F70) (X 20 DTL) | vehicles with ABS | Diesel | FWD | 1995 | 60 | 82 | 01.99-04.05 | ■ | |
| 2.0 DI (F70) (Y 20 DTL) | vehicles with ABS | Diesel | FWD | 1995 | 60 | 82 | 01.99-04.05 | ■ | |
| 2.0 DTI (F70) (Y 20 DTH) | | Diesel | FWD | 1995 | 74 | 101 | 09.00-04.05 | ■ | |
| ASTRA G (T98) 02.98-07.05 | | | | | Estate (Compact car-C Segment) | | | | |
| 1.6 (F35) (Z 16 SE) | vehicles with ABS | Gasolina | FWD | 1598 | 62 | 84 | 09.00-07.04 | ■ | |
| 1.6 16V (F35) (X 16 XEL) | 10/00-, vehicles with ABS | Gasolina | FWD | 1598 | 74 | 101 | 02.98-07.04 | ■ | |
| 1.6 16V (F35) (Z 16 XE) | 10/00-, vehicles with ABS | Gasolina | FWD | 1598 | 74 | 101 | 02.98-07.04 | ■ | |
| 1.6 (F35) (Z 16 XEP) | | Gasolina | FWD | 1598 | 76 | 103 | 12.02-05.04 | ■ | |
| 1.8 | | Gasolina | FWD | 1796 | 81 | 110 | 02.03-07.04 | ■ | |
| 1.8 16V (F35) (X 18 XE1) | vehicles with ABS | Gasolina | FWD | 1796 | 85 | 116 | 02.98-09.00 | ■ | |
| 1.8 16V (F35) (Z 18 XE) | | Gasolina | FWD | 1796 | 92 | 125 | 09.00-07.04 | ■ | |
| 2.0 16V (F35) (X 20 XEV) | | Gasolina | FWD | 1998 | 100 | 136 | 02.98-07.04 | ■ | |
| 2.0 OPC (F35) (Z 20 LET) | vehicles with ABS | Gasolina | FWD | 1998 | 141 | 192 | 09.02-07.04 | ■ | |
| 2.0 OPC (F35) (Z 20 LET) | vehicles with ABS | Gasolina | FWD | 1998 | 147 | 200 | 11.02-07.04 | ■ | |

LISTA DE APLICACIONES - BUYERS GUIDE

| | | | | | | | | | |
|-----------------------------------|---------------------------|------------------|-----|------|-----|-----|---|---|--|
| 2.2 16V (F35) (Z 22 SE) | | Gasolina | FWD | 2198 | 108 | 147 | 03.01-07.04 | ■ | |
| 1.6 CNG (F35) (Z 16 YNG) | vehicles with ABS | Gasol./Gas (CNG) | FWD | 1598 | 71 | 97 | 03.03-07.04 | ■ | |
| 2.0 DI (F35) (X 20 DTL) | vehicles with ABS | Diesel | FWD | 1995 | 60 | 82 | 02.98-07.04 | ■ | |
| 2.0 DI (F35) (Y 20 DTL) | vehicles with ABS | Diesel | FWD | 1995 | 60 | 82 | 02.98-07.04 | ■ | |
| 2.0 DTI 16V (F35) (Y 20 DTH) | vehicles with ABS | Diesel | FWD | 1995 | 74 | 101 | 08.99-07.04 | ■ | |
| 2.2 DTI (F35) (Y 22 DTR) | | Diesel | FWD | 2172 | 86 | 117 | 09.02-07.04 | ■ | |
| 2.2 DTI (F35) (Y 22 DTR) | | Diesel | FWD | 2172 | 92 | 125 | 09.02-07.04 | ■ | |
| ASTRA G (T98) 02.98-12.09 | | | | | | | Hatchback (Compact car-C Segment) | | |
| 1.6 16V (F08, F48) (C 16 SEL) | vehicles with ABS | Gasolina | FWD | 1598 | 74 | 101 | 02.98-01.05 | ■ | |
| 1.6 16V (F08, F48) (X 16 XEL) | vehicles with ABS | Gasolina | FWD | 1598 | 74 | 101 | 02.98-01.05 | ■ | |
| 1.6 16V (F08, F48) (Z 16 XE) | vehicles with ABS | Gasolina | FWD | 1598 | 74 | 101 | 02.98-01.05 | ■ | |
| 1.6 (F08, F48) (Z 16 XEP) | vehicles with ABS | Gasolina | FWD | 1598 | 76 | 103 | 11.02-01.05 | ■ | |
| 1.8 (F08, F48) | | Gasolina | FWD | 1796 | 81 | 110 | 02.03-01.04 | ■ | |
| 1.8 16V (F08, F48) (Z 18 XE) | vehicles with ABS | Gasolina | FWD | 1796 | 92 | 125 | 09.00-01.05 | ■ | |
| 2.0 16V (F08, F48) (X 20 XEV) | | Gasolina | FWD | 1998 | 100 | 136 | 02.98-01.05 | ■ | |
| 2.0 16V OPC (F08, F48) (X 20 XER) | | Gasolina | FWD | 1998 | 118 | 160 | 11.99-09.02 | ■ | |
| 2.0 OPC (F08, F48) (Z 20 LET) | | Gasolina | FWD | 1998 | 141 | 192 | 09.02-01.05 | ■ | |
| 2.0 OPC (F08, F48) (Z 20 LET) | | Gasolina | FWD | 1998 | 147 | 200 | 11.02-01.05 | ■ | |
| 2.2 16V (F08, F48) (Z 22 SE) | | Gasolina | FWD | 2198 | 108 | 147 | 06.00-01.05 | ■ | |
| 2.0 DI (F08, F48) (X 20 DTL) | vehicles with ABS | Diesel | FWD | 1995 | 60 | 82 | 02.98-01.05 | ■ | |
| 2.0 DI (F08, F48) (Y 20 DTL) | vehicles with ABS | Diesel | FWD | 1995 | 60 | 82 | 02.98-01.05 | ■ | |
| 2.0 DTI 16V (F08, F48) (Y 20 DTH) | vehicles with ABS | Diesel | FWD | 1995 | 74 | 101 | 08.99-01.05 | ■ | |
| 2.2 DTI (F08, F48) (Y 22 DTR) | | Diesel | FWD | 2172 | 86 | 117 | 09.02-01.05 | ■ | |
| 2.2 DTI (F08, F48) (Y 22 DTR) | | Diesel | FWD | 2172 | 92 | 125 | 09.02-01.05 | ■ | |
| ASTRA G (T98) 03.98-12.09 | | | | | | | Saloon (Compact car-C Segment) | | |
| 1.6 16V (F69) (X 16 XEL) | 10/00-, vehicles with ABS | Gasolina | FWD | 1598 | 74 | 101 | 09.98-01.05 | ■ | |
| 1.6 16V (F69) (Z 16 XE) | 10/00-, vehicles with ABS | Gasolina | FWD | 1598 | 74 | 101 | 09.98-01.05 | ■ | |
| 1.6 (F69) (Z 16 XEP) | | Gasolina | FWD | 1598 | 76 | 103 | 12.02-12.09 | ■ | |
| 1.8 | vehicles with ABS | Gasolina | FWD | 1796 | 81 | 110 | 02.03-01.05 | ■ | |
| 1.8 16V (F69) (X 18 XE1) | vehicles with ABS | Gasolina | FWD | 1796 | 85 | 116 | 09.98-09.00 | ■ | |
| 1.8 16V (F69) (Z 18 XE) | vehicles with ABS | Gasolina | FWD | 1796 | 92 | 125 | 06.00-01.05 | ■ | |
| 2.0 16V (F69) (X 20 XEV) | | Gasolina | FWD | 1998 | 100 | 136 | 09.98-01.05 | ■ | |
| 2.2 16V (F69) (Z 22 SE) | | Gasolina | FWD | 2198 | 108 | 147 | 03.01-01.05 | ■ | |
| 2.0 DI (F69) (X 20 DTL) | vehicles with ABS | Diesel | FWD | 1995 | 60 | 82 | 09.98-01.05 | ■ | |
| 2.0 DI (F69) (Y 20 DTL) | vehicles with ABS | Diesel | FWD | 1995 | 60 | 82 | 09.98-01.05 | ■ | |
| 2.0 DTI 16V (F69) (Y 20 DTH) | vehicles with ABS | Diesel | FWD | 1995 | 74 | 101 | 08.99-01.05 | ■ | |
| 2.2 DTI (F69) (Y 22 DTR) | | Diesel | FWD | 2172 | 86 | 117 | 09.02-01.05 | ■ | |
| 2.2 DTI (F69) (Y 22 DTR) | | Diesel | FWD | 2172 | 92 | 125 | 09.02-01.05 | ■ | |
| ASTRA H (L70) 02.04-10.14 | | | | | | | Estate Van (Compact car-C Segment) | | |
| 1.4 EcoTec (L70) (Z 14 XEP) | | Gasolina | FWD | 1364 | 66 | 90 | 12.04-12.12 | ■ | |
| 1.6 EcoTec (L70) (Z 16 XEP) | | Gasolina | FWD | 1598 | 76 | 103 | 02.04-11.04 | ■ | |
| 1.6 EcoTec (L70) (Z 16 XER) | | Gasolina | FWD | 1598 | 85 | 116 | 10.06-12.10 | ■ | |
| 1.3 CDTI (L70) (Z 13 DTH) | | Diesel | FWD | 1248 | 66 | 90 | 08.05-10.10 | ■ | |
| 1.7 CDTI (L70) (Z 17 DTL) | | Diesel | FWD | 1686 | 59 | 80 | 12.04-07.07 | ■ | |
| 1.7 CDTI (L70) (Z 17 DTH) | | Diesel | FWD | 1686 | 74 | 101 | 03.04-10.10 | ■ | |
| 1.7 CDTI (L70) (A 17 DTJ) | | Diesel | FWD | 1686 | 81 | 110 | 02.07-10.14 | ■ | |
| 1.7 CDTI (L70) (Z 17 DTJ) | | Diesel | FWD | 1686 | 81 | 110 | 02.07-10.14 | ■ | |
| 1.7 CDTI (L70) (A 17 DTR) | | Diesel | FWD | 1686 | 92 | 125 | 02.07-10.10 | ■ | |
| 1.7 CDTI (L70) (Z 17 DTR) | | Diesel | FWD | 1686 | 92 | 125 | 02.07-10.10 | ■ | |

LISTA DE APLICACIONES - BUYERS GUIDE

| | | | | | | | | | |
|----------------------------------|--|------------------|-----|------|-----|-----|--|---|--|
| 1.9 CDTI (L70) (Z 19 DTL) | | Diesel | FWD | 1910 | 74 | 101 | 08.05-12.12 | ■ | |
| 1.9 CDTI (L70) (Z 19 DT) | | Diesel | FWD | 1910 | 88 | 120 | 09.05-10.10 | ■ | |
| 1.9 CDTI 16V (L70) (Z 19 DTJ) | | Diesel | FWD | 1910 | 88 | 120 | 08.04-10.10 | ■ | |
| 1.9 CDTI (L70) (Z 19 DTH) | | Diesel | FWD | 1910 | 110 | 150 | 09.04-10.10 | ■ | |
| ASTRA H (A04) 08.04-10.10 | | | | | | | Estate (Compact car-C Segment) | | |
| 1.4 (L35) (Z 14 XEL) | | Gasolina | FWD | 1364 | 55 | 75 | 08.04-10.10 | ■ | |
| 1.6 (L35) (A 16 XER) | | Gasolina | FWD | 1598 | 85 | 116 | 11.06-10.10 | ■ | |
| 1.6 (L35) (Z 16 XER) | | Gasolina | FWD | 1598 | 85 | 116 | 11.06-10.10 | ■ | |
| 1.6 Turbo (L35) (A 16 LET) | | Gasolina | FWD | 1598 | 132 | 180 | 02.07-10.10 | ■ | |
| 1.6 Turbo (L35) (Z 16 LET) | | Gasolina | FWD | 1598 | 132 | 180 | 02.07-10.10 | ■ | |
| 1.8 (L35) (Z 18 XE) | | Gasolina | FWD | 1796 | 92 | 125 | 08.04-10.10 | ■ | |
| 1.8 (L35) (A 18 XER) | | Gasolina | FWD | 1796 | 103 | 140 | 11.05-10.10 | ■ | |
| 1.8 (L35) (Z 18 XER) | | Gasolina | FWD | 1796 | 103 | 140 | 11.05-10.10 | ■ | |
| 2.0 Turbo (L35) (Z 20 LEL) | | Gasolina | FWD | 1998 | 125 | 170 | 08.04-10.10 | ■ | |
| 2.0 Turbo (L35) (Z 20 LER) | | Gasolina | FWD | 1998 | 147 | 200 | 09.04-10.10 | ■ | |
| 1.4 LPG (L35) (Z 14 XEP) | | Gasol./Gas (LPG) | FWD | 1364 | 66 | 90 | 08.09-10.10 | ■ | |
| 1.6 LPG (L35) (Z 16 XER) | | Gasol./Gas (LPG) | FWD | 1598 | 85 | 116 | 08.09-10.10 | ■ | |
| 1.3 CDTI (L35) (Z 13 DTH) | | Diesel | FWD | 1248 | 66 | 90 | 08.05-10.10 | ■ | |
| 1.7 CDTI (L35) (Z 17 DTL) | | Diesel | FWD | 1686 | 59 | 80 | 08.04-10.10 | ■ | |
| 1.7 CDTI (L35) (Z 17 DTH) | | Diesel | FWD | 1686 | 74 | 101 | 08.04-10.10 | ■ | |
| 1.7 CDTI (L35) (A 17 DTJ) | | Diesel | FWD | 1686 | 81 | 110 | 12.08-10.10 | ■ | |
| 1.7 CDTI (L35) (Z 17 DTJ) | | Diesel | FWD | 1686 | 81 | 110 | 12.08-10.10 | ■ | |
| 1.7 CDTI (L35) (A 17 DTR) | | Diesel | FWD | 1686 | 92 | 125 | 04.07-10.10 | ■ | |
| 1.7 CDTI (L35) (Z 17 DTR) | | Diesel | FWD | 1686 | 92 | 125 | 04.07-10.10 | ■ | |
| 1.9 CDTI (L35) (Z 19 DTL) | | Diesel | FWD | 1910 | 74 | 100 | 09.05-10.10 | ■ | |
| 1.9 CDTI (L35) (Z 19 DT) | | Diesel | FWD | 1910 | 88 | 120 | 09.05-10.10 | ■ | |
| 1.9 CDTI 16V (L35) (Z 19 DTJ) | | Diesel | FWD | 1910 | 88 | 120 | 08.04-10.10 | ■ | |
| 1.9 CDTI | | Diesel | RWD | 1910 | 103 | 140 | 12.04- | ■ | |
| 1.9 CDTI (L35) (Z 19 DTH) | | Diesel | FWD | 1910 | 110 | 150 | 09.04-10.10 | ■ | |
| ASTRA H (A04) 01.04-01.11 | | | | | | | Hatchback (Compact car-C Segment) | | |
| 1.6 Turbo (L48) (A 16 LET) | | Gasolina | FWD | 1598 | 132 | 180 | 02.07-10.10 | ■ | |
| 1.6 Turbo (L48) (Z 16 LET) | | Gasolina | FWD | 1598 | 132 | 180 | 02.07-10.10 | ■ | |
| 1.8 (L48) (Z 18 XE) | | Gasolina | FWD | 1796 | 92 | 125 | 01.04-10.10 | ■ | |
| 1.8 (L48) (A 18 XER) | | Gasolina | FWD | 1796 | 103 | 140 | 01.06-10.10 | ■ | |
| 1.8 (L48) (Z 18 XER) | | Gasolina | FWD | 1796 | 103 | 140 | 01.06-10.10 | ■ | |
| 2.0 Turbo (L48) (Z 20 LEL) | | Gasolina | FWD | 1998 | 125 | 170 | 03.04-10.10 | ■ | |
| 2.0 Turbo (L48) (Z 20 LER) | | Gasolina | FWD | 1998 | 147 | 200 | 09.04-10.10 | ■ | |
| 1.3 CDTI (L48) (Z 13 DTH) | | Diesel | FWD | 1248 | 66 | 90 | 08.05-10.10 | ■ | |
| 1.7 CDTI (L48) (Z 17 DTL) | | Diesel | FWD | 1686 | 59 | 80 | 03.04-10.10 | ■ | |
| 1.7 CDTI (L48) (Z 17 DTH) | | Diesel | FWD | 1686 | 74 | 100 | 03.04-10.10 | ■ | |
| 1.7 CDTI (L48) (A 17 DTJ) | | Diesel | FWD | 1686 | 81 | 110 | 04.07-09.09 | ■ | |
| 1.7 CDTI (L48) (Z 17 DTJ) | | Diesel | FWD | 1686 | 81 | 110 | 04.07-09.09 | ■ | |
| 1.7 CDTI (L48) (A 17 DTR) | | Diesel | FWD | 1686 | 92 | 125 | 04.07-09.09 | ■ | |
| 1.7 CDTI (L48) (Z 17 DTR) | | Diesel | FWD | 1686 | 92 | 125 | 04.07-09.09 | ■ | |
| 1.9 CDTI (L48) (Z 19 DTL) | | Diesel | FWD | 1910 | 74 | 100 | 09.05-10.10 | ■ | |
| 1.9 CDTI (L48) (Z 19 DT) | | Diesel | FWD | 1910 | 88 | 120 | 06.04-10.10 | ■ | |
| 1.9 CDTI 16V (L48) (Z 19 DTJ) | | Diesel | FWD | 1910 | 88 | 120 | 04.04-10.10 | ■ | |
| 1.9 CDTI (L48) (Z 19 DTH) | | Diesel | FWD | 1910 | 110 | 150 | 09.04-10.10 | ■ | |

LISTA DE APLICACIONES - BUYERS GUIDE

| ASTRA H (A04) 02.07-12.13 | | | | | Saloon (Compact car-C Segment) | | | |
|--|--|----------|-----|------|--|-----|-------------|---|
| 1.4 (L69) (Z 14 XEP) | | Gasolina | FWD | 1364 | 66 | 90 | 02.07-06.10 | ■ |
| 1.6 (L69) (Z 16 XEP) | | Gasolina | FWD | 1598 | 77 | 105 | 02.07-06.10 | ■ |
| 1.6 (L69) (Z 16 XER) | | Gasolina | FWD | 1598 | 85 | 116 | 09.08-06.10 | ■ |
| 1.8 (L69) (A 18 XER) | | Gasolina | FWD | 1796 | 103 | 140 | 02.07-06.10 | ■ |
| 1.8 (L69) (Z 18 XER) | | Gasolina | FWD | 1796 | 103 | 140 | 02.07-06.10 | ■ |
| 1.3 CDTi (L69) (Z 13 DTH) | | Diesel | FWD | 1248 | 66 | 90 | 02.07-10.10 | ■ |
| 1.7 CDTi (L69) (Z 17 DTH) | | Diesel | FWD | 1686 | 74 | 101 | 02.07-10.10 | ■ |
| 1.7 CDTi (L69) (Z 17 DTJ) | | Diesel | FWD | 1686 | 81 | 110 | 02.07-06.10 | ■ |
| ASTRA H CLASSIC (A04) 01.09-05.14 | | | | | Estate (Compact car-C Segment) | | | |
| 1.4 (L35) (Z 14 XEP) | | Gasolina | FWD | 1364 | 66 | 90 | 01.09-05.14 | ■ |
| 1.6 (L35) (Z 16 XER) | | Gasolina | FWD | 1598 | 85 | 116 | 01.09-05.14 | ■ |
| 1.8 (L35) (Z 18 XER) | | Gasolina | FWD | 1796 | 103 | 140 | 01.12-05.14 | ■ |
| 1.7 CDTi (L35) (Z 17 DTJ) | | Diesel | FWD | 1686 | 81 | 110 | 01.09-05.14 | ■ |
| ASTRA H CLASSIC (A04) 01.09- | | | | | Hatchback (Compact car-C Segment) | | | |
| 1.4 (L48) (Z 14 XEP) | | Gasolina | FWD | 1364 | 66 | 90 | 01.09-05.14 | ■ |
| 1.3 CDTi (L48) (Z 13 DTH) | | Diesel | FWD | 1248 | 66 | 90 | 01.09-05.14 | ■ |
| 1.7 CDTi (L48) (A 17 DTJ) | | Diesel | FWD | 1686 | 81 | 110 | 01.09-05.14 | ■ |
| 1.7 CDTi (L48) (Z 17 DTJ) | | Diesel | FWD | 1686 | 81 | 110 | 01.09-05.14 | ■ |
| ASTRA H CLASSIC (A04) 01.09-05.14 | | | | | Saloon (Compact car-C Segment) | | | |
| 1.6 (L69) (Z 16 XER) | | Gasolina | FWD | 1598 | 85 | 116 | 01.09-05.14 | ■ |
| 1.8 (L69) (Z 18 XER) | | Gasolina | FWD | 1796 | 103 | 140 | 01.09-09.12 | ■ |
| 1.7 CDTi (L69) (Z 17 DTJ) | | Diesel | FWD | 1686 | 81 | 110 | 01.09-05.14 | ■ |
| 1.7 CDTi (L69) (A 17 DTR) | | Diesel | FWD | 1686 | 92 | 125 | 01.09-05.14 | ■ |
| 1.7 CDTi (L69) (Z 17 DTR) | | Diesel | FWD | 1686 | 92 | 125 | 01.09-05.14 | ■ |
| ASTRA H GTC (A04) 03.05-10.10 | | | | | Hatchback (Compact car-C Segment) | | | |
| 1.4 (L08) (Z 14 XEL) | | Gasolina | FWD | 1364 | 55 | 75 | 03.05-10.10 | ■ |
| 1.6 Turbo (L08) (A 16 LET) | | Gasolina | FWD | 1598 | 132 | 180 | 02.07-10.10 | ■ |
| 1.6 Turbo (L08) (Z 16 LET) | | Gasolina | FWD | 1598 | 132 | 180 | 02.07-10.10 | ■ |
| 1.8 (L08) (Z 18 XE) | | Gasolina | FWD | 1796 | 92 | 125 | 03.05-10.10 | ■ |
| 1.8 (L08) (Z 18 XER) | | Gasolina | FWD | 1796 | 103 | 140 | 01.06-10.10 | ■ |
| 2.0 Turbo (L08) (Z 20 LEL) | | Gasolina | FWD | 1998 | 125 | 170 | 03.05-10.10 | ■ |
| 2.0 Turbo (L08) (Z 20 LER) | | Gasolina | FWD | 1998 | 147 | 200 | 03.05-10.10 | ■ |
| 1.3 CDTi (L08) (Z 13 DTH) | | Diesel | FWD | 1248 | 66 | 90 | 04.05-10.10 | ■ |
| 1.7 CDTi (L08) (Z 17 DTL) | | Diesel | FWD | 1686 | 59 | 80 | 03.05-10.10 | ■ |
| 1.7 CDTi (L08) (Z 17 DTH) | | Diesel | FWD | 1686 | 74 | 101 | 03.05-10.10 | ■ |
| 1.7 CDTi (L08) (A 17 DTJ) | | Diesel | FWD | 1686 | 81 | 110 | 02.07-10.10 | ■ |
| 1.7 CDTi (L08) (Z 17 DTJ) | | Diesel | FWD | 1686 | 81 | 110 | 02.07-10.10 | ■ |
| 1.7 CDTi (L08) (A 17 DTR) | | Diesel | FWD | 1686 | 92 | 125 | 02.07-10.10 | ■ |
| 1.7 CDTi (L08) (Z 17 DTR) | | Diesel | FWD | 1686 | 92 | 125 | 02.07-10.10 | ■ |
| 1.9 CDTi (L08) (Z 19 DTL) | | Diesel | FWD | 1910 | 74 | 101 | 01.06-10.10 | ■ |
| 1.9 CDTi (L08) (Z 19 DT) | | Diesel | FWD | 1910 | 88 | 120 | 09.05-10.10 | ■ |
| 1.9 CDTi 16V (L08) (Z 19 DTJ) | | Diesel | FWD | 1910 | 88 | 120 | 03.05-10.10 | ■ |
| 1.9 CDTi (L08) (Z 19 DTH) | | Diesel | FWD | 1910 | 110 | 150 | 03.05-10.10 | ■ |
| ASTRA H TwinTop (A04) 09.05-12.13 | | | | | Convertible (Compact car-C Segment) | | | |
| 1.4 (L67) (Z 14 XEP) | | Gasolina | FWD | 1364 | 66 | 90 | 10.05-10.10 | ■ |
| 1.6 Turbo (L67) (A 16 LET) | | Gasolina | FWD | 1598 | 132 | 180 | 02.07-10.10 | ■ |
| 1.6 Turbo (L67) (Z 16 LET) | | Gasolina | FWD | 1598 | 132 | 180 | 02.07-10.10 | ■ |
| 2.0 Turbo (L67) (Z 20 LEL) | | Gasolina | FWD | 1998 | 125 | 170 | 09.05-10.10 | ■ |

LISTA DE APLICACIONES - BUYERS GUIDE

| | | | | | | | | | |
|---------------------------------------|--|------------------|-----|------|---|-----|-------------|---|--|
| 2.0 Turbo (L67) (Z 20 LER) | | Gasolina | FWD | 1998 | 147 | 200 | 09.05-10.10 | ■ | |
| 1.9 CDTi (L67) (Z 19 DTH) | | Diesel | FWD | 1910 | 110 | 150 | 09.05-10.10 | ■ | |
| COMBO C 10.01- | | | | | Box Body/MPV (LCVs-N1 Segment) | | | | |
| 1.7 CDTI 16V (Z 17 DTH) | | Diesel | FWD | 1686 | 74 | 101 | 12.04- | ■ | |
| COMBO C Tour 10.01- | | | | | MPV (Large MPV-M1 Segment) | | | | |
| 1.7 CDTI 16V (Z 17 DTH) | | Diesel | FWD | 1686 | 74 | 101 | 07.04-12.11 | ■ | |
| MERIVA A (X03) 05.03-05.10 | | | | | MPV (Mini MPV-M1 Segment) | | | | |
| 1.4 16V Twinport (E75) (Z 14 XEP) | | Gasolina | FWD | 1364 | 66 | 90 | 07.04-05.10 | ■ | |
| 1.6 Turbo (E75) (Z 16 LET) | | Gasolina | FWD | 1598 | 132 | 180 | 09.05-05.10 | ■ | |
| 1.4 16V Twinport LPG (E75) (Z 14 XEP) | | Gasol./Gas (LPG) | FWD | 1364 | 66 | 90 | 07.04-05.10 | ■ | |
| 1.7 CDTI (E75) (Z 17 DT) | | Diesel | FWD | 1686 | 74 | 100 | 09.03-05.10 | ■ | |
| 1.7 CDTI (E75) (Z 17 DTH) | | Diesel | FWD | 1686 | 74 | 100 | 09.03-05.10 | ■ | |
| 1.7 CDTI (E75) (Z 17 DTR) | | Diesel | FWD | 1686 | 92 | 125 | 09.06-05.10 | ■ | |
| MERIVA B (S10) 06.10- | | | | | MPV (Mini MPV-M1 Segment) | | | | |
| 1.4 (75) (A 14 NEL) | | Gasolina | FWD | 1364 | 88 | 120 | 06.10-03.17 | ■ | |
| 1.4 (75) (B 14 NEL) | | Gasolina | FWD | 1364 | 88 | 120 | 06.10-03.17 | ■ | |
| 1.4 (75) (A 14 NET) | | Gasolina | FWD | 1364 | 103 | 140 | 06.10-03.17 | ■ | |
| 1.4 (75) (B 14 NET) | | Gasolina | FWD | 1364 | 103 | 140 | 06.10-03.17 | ■ | |
| 1.4 (75) (A 14 XER) | | Gasolina | FWD | 1398 | 74 | 100 | 06.10-03.17 | ■ | |
| 1.4 (75) (B 14 XER) | | Gasolina | FWD | 1398 | 74 | 100 | 06.10-03.17 | ■ | |
| 1.4 LPG (75) (A 14 NEL) | | Gasol./Gas (LPG) | FWD | 1364 | 88 | 120 | 06.11-03.17 | ■ | |
| 1.4 LPG (75) (B 14 NEL) | | Gasol./Gas (LPG) | FWD | 1364 | 88 | 120 | 06.11-03.17 | ■ | |
| 1.3 CDTI (75) (A 13 DTC) | | Diesel | FWD | 1248 | 55 | 75 | 06.10-10.13 | ■ | |
| 1.3 CDTI (75) (A 13 DTE) | | Diesel | FWD | 1248 | 70 | 95 | 06.10-11.14 | ■ | |
| 1.6 CDTi (75) (B 16 DTC) | | Diesel | FWD | 1598 | 70 | 95 | 01.14-01.17 | ■ | |
| 1.6 CDTi (75) (B 16 DTE) | | Diesel | FWD | 1598 | 81 | 110 | 03.14-03.17 | ■ | |
| 1.6 CDTi (75) (B 16 DTL) | | Diesel | FWD | 1598 | 81 | 110 | 03.14-03.17 | ■ | |
| 1.6 CDTi (75) (B 16 DTN) | | Diesel | FWD | 1598 | 81 | 110 | 03.14-03.17 | ■ | |
| 1.6 CDTi (75) (B 16 DTH) | | Diesel | FWD | 1598 | 100 | 136 | 08.13-01.17 | ■ | |
| 1.7 CDTI (75) (A 17 DT) | | Diesel | FWD | 1686 | 74 | 100 | 06.10-01.17 | ■ | |
| 1.7 CDTI (75) (A 17 DTC) | | Diesel | FWD | 1686 | 81 | 110 | 06.10-06.15 | ■ | |
| 1.7 CDTI (75) (A 17 DTI) | | Diesel | FWD | 1686 | 81 | 110 | 06.10-06.15 | ■ | |
| 1.7 CDTI (75) (A 17 DTS) | | Diesel | FWD | 1686 | 96 | 131 | 06.10-10.13 | ■ | |
| MERIVA B VAN (S10) 06.10-03.17 | | | | | Box Body/MPV (Mini MPV-M1 Segment) | | | | |
| 1.4 ECOTEC (75) | | Gasolina | FWD | 1398 | 74 | 101 | 01.13-03.17 | ■ | |
| 1.3 CDTI (75) | | Diesel | FWD | 1248 | 70 | 95 | 01.13-11.14 | ■ | |
| 1.6 CDTi (75) | | Diesel | FWD | 1598 | 70 | 95 | 01.14-01.17 | ■ | |
| 1.6 CDTi (75) | | Diesel | FWD | 1598 | 81 | 110 | 03.14-03.17 | ■ | |
| 1.7 CDTI (75) | | Diesel | FWD | 1686 | 74 | 101 | 01.13-01.17 | ■ | |
| 1.7 CDTI (75) | | Diesel | FWD | 1686 | 81 | 110 | 01.13-10.13 | ■ | |
| 1.7 CDTI (75) | | Diesel | FWD | 1686 | 96 | 131 | 01.13-10.13 | ■ | |
| ZAFIRA A (T98) 04.99-06.06 | | | | | MPV (Compact MPV-M1 Segment) | | | | |
| 1.6 16V (F75) (X 16 XEL) | | Gasolina | FWD | 1598 | 74 | 101 | 04.99-06.05 | ■ | |
| 1.6 16V (F75) (Z 16 XE) | | Gasolina | FWD | 1598 | 74 | 101 | 04.99-06.05 | ■ | |
| 1.6 (F75) (Z 16 XE) | | Gasolina | FWD | 1598 | 76 | 103 | 10.03-06.05 | ■ | |
| 1.8 | | Gasolina | FWD | 1796 | 81 | 110 | 02.03-06.05 | ■ | |
| 1.8 16V (F75) (X 18 XE1) | | Gasolina | FWD | 1796 | 85 | 116 | 04.99-09.00 | ■ | |
| 1.8 16V (F75) (Z 18 XE) | | Gasolina | FWD | 1796 | 92 | 125 | 09.00-06.05 | ■ | |

LISTA DE APLICACIONES - BUYERS GUIDE

| | | | | | | | | | |
|--|--|------------------|-----|------|--|-----|-------------|---|--|
| 2.0 OPC (F75) (Z 20 LET) | | Gasolina | FWD | 1998 | 141 | 192 | 09.01-06.05 | ■ | |
| 2.0 OPC (F75) (Z 20 LET) | | Gasolina | FWD | 1998 | 147 | 200 | 11.02-06.05 | ■ | |
| 2.2 16V (F75) (Z 22 SE) | | Gasolina | FWD | 2198 | 108 | 147 | 09.00-06.05 | ■ | |
| 1.6 LPG (F75) (X 16 XEL) | | Gasol./Gas (LPG) | FWD | 1598 | 74 | 101 | 04.99-06.05 | ■ | |
| 1.6 LPG (F75) (Z 16 XE) | | Gasol./Gas (LPG) | FWD | 1598 | 74 | 101 | 04.99-06.05 | ■ | |
| 1.6 LPG (F75) (Z 16 XEP) | | Gasol./Gas (LPG) | FWD | 1598 | 76 | 103 | 10.03-06.05 | ■ | |
| 1.6 CNG (F75) (Z 16 YNG) | | Gasol./Gas (CNG) | FWD | 1598 | 71 | 97 | 09.01-06.05 | ■ | |
| 2.0 DI 16V (F75) (X 20 DTL) | | Diesel | FWD | 1995 | 60 | 82 | 07.99-06.05 | ■ | |
| 2.0 DI 16V (F75) (Y 20 DTL) | | Diesel | FWD | 1995 | 60 | 82 | 07.99-06.05 | ■ | |
| 2.0 DI (F75) | | Diesel | FWD | 1995 | 63 | 86 | 07.99-06.00 | ■ | |
| 2.0 DTI 16V (F75) (Y 20 DTH) | | Diesel | FWD | 1995 | 74 | 101 | 09.00-06.05 | ■ | |
| 2.2 DTI 16V (F75) (Y 22 DTR) | | Diesel | FWD | 2172 | 86 | 117 | 01.02-06.05 | ■ | |
| 2.2 DTI 16V (F75) (Y 22 DTR) | | Diesel | FWD | 2172 | 92 | 125 | 01.02-06.05 | ■ | |
| ZAFIRA B (A05) 07.05- | | | | | Box Body/MPV (LCVs-N1 Segment) | | | | |
| 1.8 VAN (M75) (A 18 XER) | | Gasolina | FWD | 1796 | 103 | 140 | 07.05-04.15 | ■ | |
| 1.8 VAN (M75) (Z 18 XER) | | Gasolina | FWD | 1796 | 103 | 140 | 07.05-04.15 | ■ | |
| 2.0 VAN (M75) (Z 20 LER) | | Gasolina | FWD | 1998 | 147 | 200 | 07.05-12.10 | ■ | |
| 2.2 DGi VAN (M75) (Z 22 YH) | | Gasolina | FWD | 2198 | 110 | 150 | 07.05-12.11 | ■ | |
| 1.7 CDTI VAN (M75) (A 17 DTJ) | | Diesel | FWD | 1686 | 81 | 110 | 01.08-04.15 | ■ | |
| 1.7 CDTI VAN (M75) (Z 17 DTJ) | | Diesel | FWD | 1686 | 81 | 110 | 01.08-04.15 | ■ | |
| 1.7 CDTI VAN (M75) (A 17 DTR) | | Diesel | FWD | 1686 | 92 | 125 | 01.08-04.15 | ■ | |
| 1.9 CDTI VAN (M75) (Z 19 DT) | | Diesel | FWD | 1910 | 88 | 120 | 07.05-04.15 | ■ | |
| 1.9 CDTI VAN (M75) (Z 19 DTH) | | Diesel | FWD | 1910 | 110 | 150 | 07.05-04.15 | ■ | |
| ZAFIRA / ZAFIRA FAMILY B (A05) 07.05- | | | | | MPV (Compact MPV-M1 Segment) | | | | |
| 1.6 (M75) (Z 16 XE1) | | Gasolina | FWD | 1598 | 77 | 105 | 07.05-09.12 | ■ | |
| 1.6 (M75) (Z 16 XEP) | | Gasolina | FWD | 1598 | 77 | 105 | 07.05-09.12 | ■ | |
| 1.6 (M75) (A 16 XER) | | Gasolina | FWD | 1598 | 85 | 115 | 01.08-04.15 | ■ | |
| 1.6 (M75) (Z 16 XER) | | Gasolina | FWD | 1598 | 85 | 115 | 01.08-04.15 | ■ | |
| 1.8 (M75) (A 18 XEL) | | Gasolina | FWD | 1796 | 88 | 120 | 06.13-04.15 | ■ | |
| 1.8 (M75) (A 18 XER) | | Gasolina | FWD | 1796 | 103 | 140 | 07.05-04.15 | ■ | |
| 1.8 (M75) (Z 18 XER) | | Gasolina | FWD | 1796 | 103 | 140 | 07.05-04.15 | ■ | |
| 2.0 (M75) (Z 20 LER) | | Gasolina | FWD | 1998 | 147 | 200 | 07.05-12.10 | ■ | |
| 2.0 (M75) (Z 20 LEH) | | Gasolina | FWD | 1998 | 177 | 241 | 01.06-12.10 | ■ | |
| 2.2 (M75) (Z 22 YH) | | Gasolina | FWD | 2198 | 110 | 150 | 07.05-12.12 | ■ | |
| 1.8 LPG (M75) (Z 18 XER) | | Gasol./Gas (LPG) | FWD | 1796 | 103 | 140 | 07.09-04.15 | ■ | |
| 1.6 FlexFuel (M75) (Z 16 XER) | | Gasol./Etanol | FWD | 1598 | 85 | 116 | 08.08-12.12 | ■ | |
| 1.7 CDTI (M75) (A 17 DTJ) | | Diesel | FWD | 1686 | 81 | 110 | 01.08-04.15 | ■ | |
| 1.7 CDTI (M75) (Z 17 DTJ) | | Diesel | FWD | 1686 | 81 | 110 | 01.08-04.15 | ■ | |
| 1.7 CDTI (M75) (A 17 DTR) | | Diesel | FWD | 1686 | 92 | 125 | 03.07-04.15 | ■ | |
| 1.9 CDTI (M75) (Z 19 DTL) | | Diesel | FWD | 1910 | 74 | 100 | 07.05-12.10 | ■ | |
| 1.9 CDTI (M75) (Z 19 DT) | | Diesel | FWD | 1910 | 88 | 120 | 07.05-04.15 | ■ | |
| 1.9 CDTI (M75) (Z 19 DTH) | | Diesel | FWD | 1910 | 110 | 150 | 07.05-04.15 | ■ | |
| VAUXHALL | | | | | | | | | |
| ASTRA Mk IV (G) (T98) 03.01-10.05 | | | | | Convertible (Compact car-C Segment) | | | | |
| 1.6 16V (Z 16 XE) | | Gasolina | FWD | 1598 | 74 | 101 | 03.01-10.05 | ■ | |
| 1.8 16V (Z 18 XE) | | Gasolina | FWD | 1796 | 92 | 125 | 03.01-10.05 | ■ | |
| 2.0 Turbo (Z 20 LET) | | Gasolina | FWD | 1998 | 141 | 192 | 03.02-10.05 | ■ | |

LISTA DE APLICACIONES - BUYERS GUIDE

| | | | | | | | | | |
|--|---------------------------|------------------|-----|------|-----|-----|--|---|--|
| 2.0 (Z 20 LET) | | Gasolina | FWD | 1998 | 147 | 200 | 09.02-10.05 | ■ | |
| 2.2 16V (Z 22 SE) | | Gasolina | FWD | 2198 | 108 | 147 | 03.01-10.05 | ■ | |
| ASTRA Mk IV (G) (T98) 03.00-08.05 | | | | | | | Coupe (Compact car-C Segment) | | |
| 1.6 16V (Z 16 XEP) | | Gasolina | FWD | 1598 | 76 | 103 | 03.00-08.05 | ■ | |
| 1.8 16V (X 18 XE1) | | Gasolina | FWD | 1796 | 85 | 115 | 03.00-08.05 | ■ | |
| 1.8 16V (Z 18 XE) | | Gasolina | FWD | 1796 | 92 | 125 | 09.00-08.05 | ■ | |
| 2.0 16V Turbo (Z 20 LET) | | Gasolina | FWD | 1998 | 140 | 190 | 09.00-08.05 | ■ | |
| 2.0 | | Gasolina | FWD | 1998 | 147 | 199 | 08.02-05.05 | ■ | |
| 2.2 16V (Z 22 SE) | | Gasolina | FWD | 2198 | 108 | 147 | 03.00-08.05 | ■ | |
| 1.8 16V Dualfuel (Z 18 XE) | | Gasol./Gas (LPG) | FWD | 1796 | 87 | 118 | 09.02-08.05 | ■ | |
| 1.8 16V Dualfuel (Z 18 XE) | | Gasol./Gas (LPG) | FWD | 1796 | 92 | 125 | 07.02-08.04 | ■ | |
| ASTRA Mk IV (G) (T98) 02.98-05.05 | | | | | | | Estate (Compact car-C Segment) | | |
| 1.4 16V (X 14 XE) | 10/00-, vehicles with ABS | Gasolina | FWD | 1389 | 66 | 90 | 02.98-05.05 | ■ | |
| 1.4 16V (Z 14 XE) | 10/00-, vehicles with ABS | Gasolina | FWD | 1389 | 66 | 90 | 02.98-05.05 | ■ | |
| 1.6 (Z 16 SE) | vehicles with ABS | Gasolina | FWD | 1598 | 62 | 84 | 03.98-04.04 | ■ | |
| 1.6 16V (X 16 XEL) | 10/00-, vehicles with ABS | Gasolina | FWD | 1598 | 74 | 101 | 03.98-04.04 | ■ | |
| 1.6 16V (Z 16 XE) | 10/00-, vehicles with ABS | Gasolina | FWD | 1598 | 74 | 101 | 03.98-04.04 | ■ | |
| 1.8 16V (X 18 XE1) | vehicles with ABS | Gasolina | FWD | 1796 | 85 | 116 | 02.98-08.00 | ■ | |
| 1.8 16V (Z 18 XE) | vehicles with ABS | Gasolina | FWD | 1796 | 92 | 125 | 09.00-05.05 | ■ | |
| 2.0 16V | | Gasolina | FWD | 1998 | 100 | 136 | 02.98-05.05 | ■ | |
| 2.2 16V (Z 22 SE) | | Gasolina | FWD | 2198 | 108 | 147 | 03.01-05.05 | ■ | |
| 1.6 Dualfuel (Z 16 SE) | vehicles with ABS | Gasol./Gas (LPG) | FWD | 1598 | 63 | 85 | 03.98-04.04 | ■ | |
| 1.8 16V Dualfuel (Z 18 XE) | vehicles with ABS | Gasol./Gas (LPG) | FWD | 1796 | 87 | 118 | 09.02-05.05 | ■ | |
| 1.8 16V Dualfuel (Z 18 XE) | | Gasol./Gas (LPG) | FWD | 1796 | 92 | 125 | 07.02-12.03 | ■ | |
| 2.0 DI (X 20 DTL) | vehicles with ABS | Diesel | FWD | 1995 | 60 | 82 | 03.98-04.04 | ■ | |
| 2.0 DI (Y 20 DTL) | vehicles with ABS | Diesel | FWD | 1995 | 60 | 82 | 03.98-04.04 | ■ | |
| 2.0 DTI 16V (Y 20 DTH) | vehicles with ABS | Diesel | FWD | 1995 | 74 | 101 | 03.98-04.04 | ■ | |
| ASTRA Mk IV (G) (T98) 02.98-05.05 | | | | | | | Hatchback (Compact car-C Segment) | | |
| 1.6 16V (F08, F48) (X 16 XEL) | 10/00-, vehicles with ABS | Gasolina | FWD | 1598 | 74 | 101 | 02.98-05.05 | ■ | |
| 1.6 16V (F08, F48) (Z 16 XE) | 10/00-, vehicles with ABS | Gasolina | FWD | 1598 | 74 | 101 | 02.98-05.05 | ■ | |
| 1.6 (F08, F48) (Z 16 XEP) | | Gasolina | FWD | 1598 | 76 | 103 | 12.02-05.05 | ■ | |
| 1.8 16V (F08, F48) (X 18 XE1) | vehicles with ABS | Gasolina | FWD | 1796 | 85 | 116 | 02.98-09.00 | ■ | |
| 1.8 16V (F08, F48) (Z 18 XE) | vehicles with ABS | Gasolina | FWD | 1796 | 92 | 125 | 09.00-05.05 | ■ | |
| 2.0 16V (F08) (X 20 XEV) | | Gasolina | FWD | 1998 | 100 | 136 | 02.98-05.05 | ■ | |
| 2.0 (F08, F48) | | Gasolina | FWD | 1998 | 118 | 160 | 10.99-08.00 | ■ | |
| 2.0 SRI Turbo (F08) (Z 20 LET) | | Gasolina | FWD | 1998 | 141 | 192 | 11.01-05.05 | ■ | |
| 2.0 (F08) (Z 20 LET) | | Gasolina | FWD | 1998 | 147 | 199 | 08.02-05.05 | ■ | |
| 2.2 16V (F08, F48) (Z 22 SE) | | Gasolina | FWD | 2198 | 108 | 147 | 03.01-05.05 | ■ | |
| 1.8 16V Dualfuel (F08, F48) (Z 18 XE) | vehicles with ABS | Gasol./Gas (LPG) | FWD | 1796 | 87 | 118 | 09.02-05.05 | ■ | |
| 1.8 16V Dualfuel (F08, F48) (Z 18 XE) | | Gasol./Gas (LPG) | FWD | 1796 | 92 | 125 | 07.02-12.03 | ■ | |
| 1.7 DTI 16V (F08, F48) (Y 17 DT) | vehicles with ABS | Diesel | FWD | 1686 | 55 | 75 | 02.00-05.05 | ■ | |
| 1.7 CDTI 16V (F08, F48) (Z 17 DTL) | vehicles with ABS | Diesel | FWD | 1686 | 59 | 80 | 04.03-05.05 | ■ | |
| 1.7 TD (F08, F48) (X 17 DTL) | vehicles with ABS | Diesel | FWD | 1700 | 50 | 68 | 02.98-08.00 | ■ | |
| 2.0 DI (F48) (X 20 DTL) | vehicles with ABS | Diesel | FWD | 1995 | 60 | 82 | 02.98-05.05 | ■ | |
| 2.0 DI (F48) (Y 20 DTL) | vehicles with ABS | Diesel | FWD | 1995 | 60 | 82 | 02.98-05.05 | ■ | |
| 2.0 DTI 16V (F48) (Y 20 DTH) | vehicles with ABS | Diesel | FWD | 1995 | 74 | 101 | 08.99-05.05 | ■ | |

LISTA DE APLICACIONES - BUYERS GUIDE

| ASTRA Mk IV (G) (T98) 02.98-05.05 | | | | | Saloon (Compact car-C Segment) | | | |
|--|---------------------------|------------------|-----|------|--|-----|-------------|---|
| 1.6 16V (X 16 XEL) | 10/00-, vehicles with ABS | Gasolina | FWD | 1598 | 74 | 101 | 09.98-05.05 | ■ |
| 1.6 16V (Z 16 XE) | 10/00-, vehicles with ABS | Gasolina | FWD | 1598 | 74 | 101 | 09.98-05.05 | ■ |
| 1.8 16V (X 18 XE1) | vehicles with ABS | Gasolina | FWD | 1796 | 85 | 116 | 02.98-07.04 | ■ |
| 1.8 16V (Z 18 XE) | vehicles with ABS | Gasolina | FWD | 1796 | 92 | 125 | 02.98-07.04 | ■ |
| 2.0 16V (X 20 XEV) | | Gasolina | FWD | 1998 | 100 | 136 | 09.98-05.05 | ■ |
| 2.2 16V | | Gasolina | RWD | 2198 | 108 | 147 | 03.01-05.05 | ■ |
| 1.8 16V Dualfuel (Z 18 XE) | vehicles with ABS | Gasol./Gas (LPG) | FWD | 1796 | 87 | 118 | 02.98-07.04 | ■ |
| 1.8 16V Dualfuel | | Gasol./Gas (LPG) | FWD | 1796 | 92 | 125 | 07.02-12.03 | ■ |
| 1.7 DTI 16V (Y 17 DT) | vehicles with ABS | Diesel | FWD | 1686 | 55 | 75 | 02.00-05.05 | ■ |
| 1.7 CDTI 16V (Z 17 DTL) | vehicles with ABS | Diesel | FWD | 1686 | 59 | 80 | 04.03-05.05 | ■ |
| 1.7 TD (X 17 DTL) | vehicles with ABS | Diesel | FWD | 1700 | 50 | 68 | 09.98-08.00 | ■ |
| 2.0 DI (X 20 DTL) | vehicles with ABS | Diesel | FWD | 1995 | 60 | 82 | 02.98-07.04 | ■ |
| 2.0 DI (Y 20 DTL) | vehicles with ABS | Diesel | FWD | 1995 | 60 | 82 | 02.98-07.04 | ■ |
| 2.0 DTI 16V (Y 20 DTH) | vehicles with ABS | Diesel | FWD | 1995 | 74 | 101 | 02.98-07.04 | ■ |
| ASTRA Mk V (H) (A04) 08.04-10.12 | | | | | Estate (Compact car-C Segment) | | | |
| 1.6 (L35) (A 16 LET) | | Gasolina | FWD | 1598 | 132 | 180 | 08.04-03.09 | ■ |
| 1.6 (L35) (Z 16 LET) | | Gasolina | FWD | 1598 | 132 | 180 | 08.04-03.09 | ■ |
| 1.8 (L35) (Z 18 XE) | | Gasolina | FWD | 1796 | 92 | 125 | 10.04-03.09 | ■ |
| 1.8 (L35) (A 18 XER) | | Gasolina | FWD | 1796 | 103 | 140 | 12.05-10.10 | ■ |
| 1.8 (L35) (Z 18 XER) | | Gasolina | FWD | 1796 | 103 | 140 | 12.05-10.10 | ■ |
| 2.0 Turbo (L35) (Z 20 LEL) | | Gasolina | FWD | 1998 | 125 | 170 | 08.04-10.10 | ■ |
| 2.0 Turbo (L35) (Z 20 LER) | | Gasolina | FWD | 1998 | 147 | 200 | 08.04-10.10 | ■ |
| 1.3 CDTI (L35) (Z 13 DTH) | | Diesel | FWD | 1248 | 66 | 90 | 08.04-03.09 | ■ |
| 1.7 CDTI (L35) (Z 17 DTL) | | Diesel | FWD | 1686 | 59 | 80 | 08.04-05.09 | ■ |
| 1.7 CDTI (L35) (Z 17 DTH) | | Diesel | FWD | 1686 | 74 | 100 | 08.04-03.09 | ■ |
| 1.7 TD | | Diesel | RWD | 1686 | 79 | 108 | 08.04-03.09 | ■ |
| 1.7 CDTI (L35) (A 17 DTJ) | | Diesel | FWD | 1686 | 81 | 110 | 08.04-10.12 | ■ |
| 1.7 CDTI (L35) (Z 17 DTJ) | | Diesel | FWD | 1686 | 81 | 110 | 08.04-10.12 | ■ |
| 1.9 CDTI (L35) | | Diesel | FWD | 1910 | 74 | 100 | 08.04-03.09 | ■ |
| 1.9 CDTI | | Diesel | RWD | 1910 | 88 | 120 | 08.04-03.09 | ■ |
| 1.9 CDTI (L35) (Z 19 DT) | | Diesel | FWD | 1910 | 88 | 120 | 08.04-03.09 | ■ |
| 1.9 CDTI 16V (L35) (Z 19 DTJ) | | Diesel | FWD | 1910 | 88 | 120 | 08.04-03.09 | ■ |
| 1.9 CDTI (L35) (Z 19 DTH) | | Diesel | FWD | 1910 | 110 | 150 | 08.04-03.09 | ■ |
| ASTRA Mk V (H) (A04) 01.04-03.11 | | | | | Hatchback (Compact car-C Segment) | | | |
| 1.4 (L48) (Z 14 XEP) | | Gasolina | FWD | 1364 | 66 | 90 | 01.04-05.09 | ■ |
| 1.6 Turbo (L48) (A 16 LET) | | Gasolina | FWD | 1598 | 132 | 180 | 09.06-09.09 | ■ |
| 1.6 Turbo (L48) (Z 16 LET) | | Gasolina | FWD | 1598 | 132 | 180 | 09.06-09.09 | ■ |
| 1.8 (L48) (Z 18 XE) | | Gasolina | FWD | 1796 | 92 | 125 | 01.04-05.09 | ■ |
| 1.8 (L48) (A 18 XER) | | Gasolina | FWD | 1796 | 103 | 140 | 01.04-05.09 | ■ |
| 1.8 (L48) (Z 18 XER) | | Gasolina | FWD | 1796 | 103 | 140 | 01.04-05.09 | ■ |
| 2.0 Turbo (L48) (Z 20 LEL) | | Gasolina | FWD | 1998 | 125 | 170 | 01.04-05.09 | ■ |
| 2.0 Turbo (L48) (Z 20 LER) | | Gasolina | FWD | 1998 | 147 | 200 | 01.04-05.09 | ■ |
| 1.3 CDTI (L48) (Z 13 DTH) | | Diesel | FWD | 1248 | 66 | 90 | 01.04-05.09 | ■ |
| 1.7 CDTI (L48) (Z 17 DTL) | | Diesel | FWD | 1686 | 59 | 80 | 01.04-05.09 | ■ |
| 1.7 CDTI (L48) (Z 17 DTH) | | Diesel | FWD | 1686 | 74 | 100 | 01.04-05.09 | ■ |
| 1.7 TD | | Diesel | RWD | 1686 | 79 | 108 | 01.04-05.09 | ■ |
| 1.7 CDTI (L48) (A 17 DTJ) | | Diesel | FWD | 1686 | 81 | 110 | 01.04-03.11 | ■ |
| 1.7 CDTI (L48) (Z 17 DTJ) | | Diesel | FWD | 1686 | 81 | 110 | 01.04-03.11 | ■ |

LISTA DE APLICACIONES - BUYERS GUIDE

| | | | | | | | | | |
|---|----------------|------------------|-----|------|-----|-----|--|---|--|
| 1.9 CDTI (L48) (Z 19 DT) | | Diesel | FWD | 1910 | 88 | 120 | 01.04-05.09 | ■ | |
| 1.9 CDTI 16V (L48) (Z 19 DTJ) | | Diesel | FWD | 1910 | 88 | 120 | 01.04-05.09 | ■ | |
| 1.9 CDTI (L48) (Z 19 DTH) | | Diesel | FWD | 1910 | 110 | 150 | 01.04-05.09 | ■ | |
| ASTRA Mk V (H) Sport Hatch (A04) 02.05-11.10 | | | | | | | Hatchback (Compact car-C Segment) | | |
| 1.4 i 16V (L08) (Z 14 XEP) | | Gasolina | FWD | 1364 | 66 | 90 | 03.05-11.10 | ■ | |
| 1.6 i 16V (L08) (A 16 XER) | | Gasolina | FWD | 1598 | 85 | 116 | 12.06-11.10 | ■ | |
| 1.6 i 16V (L08) (Z 16 XER) | | Gasolina | FWD | 1598 | 85 | 116 | 12.06-11.10 | ■ | |
| 1.8 (L08) (Z 18 XE) | | Gasolina | FWD | 1796 | 92 | 125 | 02.05-11.10 | ■ | |
| 1.8 i 16V (L08) (A 18 XER) | | Gasolina | FWD | 1796 | 103 | 140 | 03.07-11.10 | ■ | |
| 1.8 i 16V (L08) (Z 18 XER) | | Gasolina | FWD | 1796 | 103 | 140 | 03.07-11.10 | ■ | |
| 2.0 Turbo (L08) (Z 20 LEL) | | Gasolina | FWD | 1998 | 125 | 170 | 02.05-11.10 | ■ | |
| 1.3 CDTI (L08) (Z 13 DTH) | | Diesel | FWD | 1248 | 66 | 90 | 04.05-11.10 | ■ | |
| 1.7 CDTi (L08) (Z 17 DTH) | | Diesel | FWD | 1686 | 74 | 100 | 02.05-11.10 | ■ | |
| 1.7 CDTi (L08) (A 17 DTJ) | | Diesel | FWD | 1686 | 81 | 110 | 02.07-11.09 | ■ | |
| 1.7 CDTi (L08) (Z 17 DTJ) | | Diesel | FWD | 1686 | 81 | 110 | 02.07-11.09 | ■ | |
| 1.9 CDTi (L08) (Z 19 DTL) | | Diesel | FWD | 1910 | 74 | 101 | 08.05-11.10 | ■ | |
| 1.9 CDTi (L08) (Z 19 DT) | | Diesel | FWD | 1910 | 88 | 120 | 02.05-11.10 | ■ | |
| 1.9 CDTi (L08) (Z 19 DTH) | | Diesel | FWD | 1910 | 110 | 150 | 02.05-11.10 | ■ | |
| ASTRA Mk V (H) TwinTop (A04) 09.05-08.11 | | | | | | | Convertible (Compact car-C Segment) | | |
| 1.6 (L67) (Z 16 XEP) | | Gasolina | FWD | 1598 | 77 | 105 | 09.05-11.10 | ■ | |
| 1.6 i 16V (L67) (A 16 XER) | | Gasolina | FWD | 1598 | 85 | 116 | 10.06-08.11 | ■ | |
| 1.6 i 16V (L67) (Z 16 XER) | | Gasolina | FWD | 1598 | 85 | 116 | 10.06-08.11 | ■ | |
| 1.6 | | Gasolina | FWD | 1598 | 132 | 179 | 10.06-11.10 | ■ | |
| 1.8 (L67) (A 18 XER) | | Gasolina | FWD | 1796 | 103 | 140 | 05.08-11.10 | ■ | |
| 1.8 (L67) (Z 18 XER) | | Gasolina | FWD | 1796 | 103 | 140 | 05.08-11.10 | ■ | |
| 2.0 (L67) (Z 20 LEL) | | Gasolina | FWD | 1998 | 125 | 170 | 02.06-11.10 | ■ | |
| 2.0 Turbo (L67) (Z 20 LER) | | Gasolina | FWD | 1998 | 147 | 200 | 01.06-11.10 | ■ | |
| 1.9 CDTi (L67) (Z 19 DTH) | | Diesel | FWD | 1910 | 110 | 150 | 01.06-11.10 | ■ | |
| ASTRAVAN Mk IV (G) (T98) 01.93-08.06 | | | | | | | Estate Van (Compact car-C Segment) | | |
| 1.6 Dualfuel (Z 16 SE) | | Gasol./Gas (LPG) | FWD | 1598 | 62 | 84 | 09.00-10.04 | ■ | |
| 1.7 CDTi (Z 17 DTL) | 03/05-, -07/06 | Diesel | FWD | 1686 | 59 | 80 | 07.03-08.06 | ■ | |
| 2.0 DI (X 20 DTL) | -05/05 | Diesel | FWD | 1995 | 60 | 82 | 08.98-08.06 | ■ | |
| 2.0 DI (Y 20 DTL) | -05/05 | Diesel | FWD | 1995 | 60 | 82 | 08.98-08.06 | ■ | |
| 2.0 DTI (Y 20 DTH) | -05/05 | Diesel | FWD | 1995 | 74 | 100 | 04.04-08.06 | ■ | |
| ASTRAVAN Mk V (H) (A04) 03.05- | | | | | | | Estate Van (Compact car-C Segment) | | |
| 1.4 i (Z 14 XEP) | | Gasolina | FWD | 1364 | 66 | 90 | 03.05- | ■ | |
| 1.6 (Z 16 XE1) | | Gasolina | FWD | 1598 | 76 | 103 | 03.05- | ■ | |
| 1.6 (Z 16 XEP) | | Gasolina | FWD | 1598 | 76 | 103 | 03.05- | ■ | |
| 1.3 CDTi (Z 13 DTH) | | Diesel | FWD | 1248 | 66 | 90 | 08.05- | ■ | |
| 1.7 CDTi (Z 17 DTH) | | Diesel | FWD | 1686 | 74 | 101 | 03.05-11.11 | ■ | |
| 1.7 CDTi (A 17 DTJ) | | Diesel | FWD | 1686 | 81 | 110 | 06.11-12.13 | ■ | |
| 1.7 CDTi (Z 17 DTJ) | | Diesel | FWD | 1686 | 81 | 110 | 06.11-12.13 | ■ | |
| 1.7 CDTi (A 17 DTR) | | Diesel | FWD | 1686 | 92 | 125 | 11.11- | ■ | |
| 1.7 CDTi (Z 17 DTR) | | Diesel | FWD | 1686 | 92 | 125 | 11.11- | ■ | |
| 1.9 CDTI (Z 19 DT) | | Diesel | FWD | 1910 | 88 | 120 | 03.05-11.11 | ■ | |
| 1.9 CDTI (Z 19 DTH) | | Diesel | FWD | 1910 | 110 | 150 | 03.05-11.11 | ■ | |
| COMBO Mk II (C) (F25) 09.01-02.12 | | | | | | | Box Body/MPV (LCVs-N1 Segment) | | |
| 1.7 CDTI 16V (Z 17 DTH) | | Diesel | FWD | 1686 | 74 | 101 | 12.04-11.11 | ■ | |

LISTA DE APLICACIONES - BUYERS GUIDE

| COMBO TOUR Mk II (C) (F25) 09.01-02.12 | | | | | MPV (Large MPV-M1 Segment) | | | |
|---|-------------------|------------------|-----|------|-------------------------------------|-----|-------------|---|
| 1.7 CDTi 16V (Z 17 DTH) | | Diesel | FWD | 1686 | 74 | 101 | 12.04-09.10 | ■ |
| MERIVA Mk I (A) (X03) 01.03-06.10 | | | | | MPV (Mini MPV-M1 Segment) | | | |
| 1.6 Turbo (Z 16 LET) | | Gasolina | FWD | 1598 | 132 | 180 | 05.06-06.10 | ■ |
| 1.3 CDTi (Y 13 DT) | | Diesel | FWD | 1248 | 51 | 69 | 04.05-06.10 | ■ |
| 1.3 CDTi (Z 13 DT) | | Diesel | FWD | 1248 | 51 | 69 | 04.05-06.10 | ■ |
| 1.7 DTi (Y 17 DT) | | Diesel | FWD | 1686 | 55 | 75 | 06.03-06.10 | ■ |
| 1.7 CDTi (Z 17 DTH) | | Diesel | FWD | 1686 | 74 | 100 | 09.03-06.08 | ■ |
| 1.7 CDTi | | Diesel | RWD | 1686 | 92 | 125 | 08.06-06.10 | ■ |
| MERIVA Mk II (B) (S10) 06.10- | | | | | MPV (Mini MPV-M1 Segment) | | | |
| 1.4 (A 14 NEL) | | Gasolina | FWD | 1364 | 88 | 120 | 06.10-10.13 | ■ |
| 1.4 (B 14 NEL) | | Gasolina | FWD | 1364 | 88 | 120 | 06.10-10.13 | ■ |
| 1.4 (A 14 NET) | | Gasolina | FWD | 1364 | 103 | 140 | 06.10-10.13 | ■ |
| 1.4 (B 14 NET) | | Gasolina | FWD | 1364 | 103 | 140 | 06.10-10.13 | ■ |
| 1.4 (A 14 XER) | | Gasolina | FWD | 1398 | 74 | 101 | 06.10-03.17 | ■ |
| 1.4 (B 14 XER) | | Gasolina | FWD | 1398 | 74 | 101 | 06.10-03.17 | ■ |
| 1.4 LPG (A 14 NEL) | | Gasol./Gas (LPG) | FWD | 1364 | 88 | 120 | 06.11-03.17 | ■ |
| 1.3 CDTi (A 13 DTC) | | Diesel | FWD | 1248 | 55 | 75 | 06.10-10.13 | ■ |
| 1.3 CDTi (A 13 DTE) | | Diesel | FWD | 1248 | 70 | 95 | 06.10-11.14 | ■ |
| 1.6 CDTi (B 16 DTC) | | Diesel | FWD | 1598 | 70 | 95 | 01.14-01.17 | ■ |
| 1.6 CDTi (B 16 DTE) | | Diesel | FWD | 1598 | 81 | 110 | 07.14-03.17 | ■ |
| 1.6 CDTi (B 16 DTL) | | Diesel | FWD | 1598 | 81 | 110 | 07.14-03.17 | ■ |
| 1.6 CDTi (B 16 DTN) | | Diesel | FWD | 1598 | 81 | 110 | 07.14-03.17 | ■ |
| 1.6 CDTi (B 16 DTH) | | Diesel | FWD | 1598 | 100 | 136 | 08.13-01.17 | ■ |
| 1.7 CDTi (A 17 DT) | | Diesel | FWD | 1686 | 74 | 101 | 06.10-01.17 | ■ |
| 1.7 CDTi (A 17 DTC) | | Diesel | FWD | 1686 | 81 | 110 | 06.10-06.15 | ■ |
| 1.7 CDTi (A 17 DTi) | | Diesel | FWD | 1686 | 81 | 110 | 06.10-06.15 | ■ |
| 1.7 CDTi (A 17 DTS) | | Diesel | FWD | 1686 | 96 | 131 | 06.10-10.13 | ■ |
| ZAFIRA Mk I (A) (T98) 11.98-08.05 | | | | | MPV (Compact MPV-M1 Segment) | | | |
| 1.6 16V (X 16 XEL) | vehicles with ABS | Gasolina | FWD | 1598 | 74 | 101 | 04.99-08.05 | ■ |
| 1.6 16V (Z 16 XE) | vehicles with ABS | Gasolina | FWD | 1598 | 74 | 101 | 04.99-08.05 | ■ |
| 1.8 16V (X 18 XE1) | | Gasolina | FWD | 1796 | 85 | 116 | 05.99-08.00 | ■ |
| 1.8 16V (Z 18 XE) | -06/05 | Gasolina | FWD | 1796 | 92 | 125 | 09.00-08.05 | ■ |
| 2.0 GSI Turbo (Z 20 LET) | | Gasolina | FWD | 1998 | 141 | 192 | 09.01-06.05 | ■ |
| 2.0 (Z 20 LET) | | Gasolina | FWD | 1998 | 147 | 199 | 06.02-06.05 | ■ |
| 2.2 16V (Z 22 SE) | | Gasolina | FWD | 2198 | 108 | 147 | 11.98-08.04 | ■ |
| 1.6 Dualfuel (X 16 XEL) | | Gasol./Gas (LPG) | FWD | 1598 | 74 | 101 | 11.98-08.05 | ■ |
| 1.8 Dualfuel (Z 18 XE) | | Gasol./Gas (LPG) | FWD | 1796 | 92 | 125 | 09.00-08.05 | ■ |
| 2.0 DI 16V (X 20 DTL) | -08/00 | Diesel | FWD | 1995 | 60 | 82 | 10.99-08.05 | ■ |
| 2.0 DTi 16V (Y 20 DTH) | 09/00-, -06/05 | Diesel | FWD | 1995 | 74 | 101 | 04.99-08.05 | ■ |
| 2.2 D | | Diesel | FWD | 2172 | 92 | 125 | 06.01-06.05 | ■ |
| ZAFIRA Mk II (B) (A05) 04.05-11.14 | | | | | MPV (Compact MPV-M1 Segment) | | | |
| 1.6 (Z 16 XE1) | | Gasolina | FWD | 1598 | 77 | 105 | 07.05-11.14 | ■ |
| 1.6 (Z 16 XEP) | | Gasolina | FWD | 1598 | 77 | 105 | 07.05-11.14 | ■ |
| 1.6 (A 16 XER) | | Gasolina | FWD | 1598 | 85 | 115 | 12.07-11.14 | ■ |
| 1.6 (Z 16 XER) | | Gasolina | FWD | 1598 | 85 | 115 | 12.07-11.14 | ■ |
| 1.8 (A 18 XEL) | | Gasolina | FWD | 1796 | 88 | 120 | 04.13-11.14 | ■ |
| 1.8 (A 18 XER) | | Gasolina | FWD | 1796 | 103 | 140 | 04.05-11.14 | ■ |

LISTA DE APLICACIONES - BUYERS GUIDE

| | | | | | | | | |
|---------------------|--|----------|-----|------|-----|-----|-------------|---|
| 1.8 (Z 18 XER) | | Gasolina | FWD | 1796 | 103 | 140 | 04.05-11.14 | ■ |
| 2.0 (Z 20 LER) | | Gasolina | FWD | 1998 | 147 | 200 | 07.05-11.14 | ■ |
| 2.2 (Z 22 YH) | | Gasolina | FWD | 2198 | 110 | 150 | 07.05-11.14 | ■ |
| 1.7 CDTi (A 17 DTJ) | | Diesel | FWD | 1686 | 81 | 110 | 04.09-11.14 | ■ |
| 1.7 CDTi (Z 17 DTJ) | | Diesel | FWD | 1686 | 81 | 110 | 04.09-11.14 | ■ |
| 1.7 CDTi (A 17 DTR) | | Diesel | FWD | 1686 | 92 | 125 | 01.08-11.14 | ■ |
| 1.9 CDTi (Z 19 DT) | | Diesel | FWD | 1910 | 88 | 120 | 07.05-11.14 | ■ |
| 1.9 CDTi (Z 19 DTH) | | Diesel | FWD | 1910 | 110 | 150 | 07.05-11.14 | ■ |