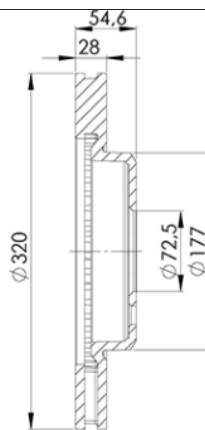
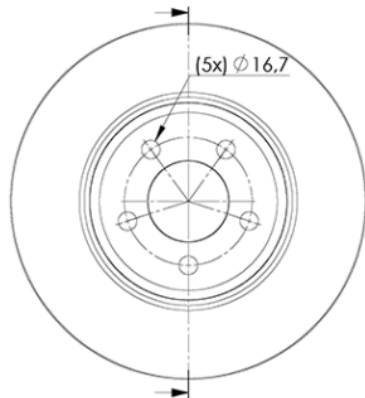


# LISTA DE APLICACIONES - BUYERS GUIDE

## 78BD9196-2



Weight: 18.380



## 78BD9196-2

**E1 90R-02C0074/1462**



$\phi$ 320x28x54.6

**MAKE**  
CHRYSLER  
DODGE

O.E.M.	MAKE
00K04779196AG	CHRYSLER
04779196AB	CHRYSLER
04779196AE	CHRYSLER
04779196AF	CHRYSLER
4779196AB	DODGE
4779196AD	CHRYSLER
4779196AE	CHRYSLER
4779196AF	CHRYSLER
4779196AG	CHRYSLER
K04779196AD	CHRYSLER
K04779196AE	CHRYSLER
K04779196AF	CHRYSLER



Trac.	CC	Kw	CV
-------	----	----	----



Front / Rear

### CHRYSLER

#### 300 (U.S.A.) 09.04-12.11

#### Saloon (Luxury car-F Segment)

5.7	Eq.V_ BR4	Gasolina	FWD		254	345	09.04-12.07	■
-----	-----------	----------	-----	--	-----	-----	-------------	---

#### 300 C (LX, LE) 09.04-

#### Saloon (Luxury car-F Segment)

2.7 (EES)	Eq.V_ BR4	Gasolina	RWD	2736	130	177	01.07-11.12	■
2.7	Eq.V_ BR4	Gasolina	FWD	2736	133	181	09.09-12.10	■
2.7 (EER)	Eq.V_ BR4	Gasolina	RWD	2736	142	193	09.04-12.12	■
3.5 (EGG)	Eq.V_ BR4	Gasolina	RWD	3518	183	249	09.04-11.12	■
3.5	Eq.V_ BR4	Gasolina	RWD	3518	186	253	01.05-12.10	■
3.5 AWD (EGG)	Eq.V_ BR4	Gasolina	4WD	3518	186	253	09.04-12.10	■
5.7 (EZB)	Eq.V_ BR4	Gasolina	RWD	5654	250	340	09.04-12.08	■
5.7 (EZD)	Eq.V_ BR4	Gasolina	RWD	5654	250	340	09.04-12.08	■
5.7 (EZH)	Eq.V_ BR4	Gasolina	RWD	5654	250	340	09.04-12.08	■
5.7	Eq.V_ BR4	Gasolina	FWD	5654	250	340	09.04-08.08	■
5.7	Eq.V_ BR4	Gasolina	FWD	5654	256	348	12.09-11.12	■
5.7 (EZH)	Eq.V_ BR4	Gasolina	RWD	5654	268	364	09.08-	■
5.7 AWD (EZD)	Eq.V_ BR4	Gasolina	4WD	5654	268	364	09.08-	■
6.1 SRT8 (ESF)	Eq.V_ BR4	Gasolina	RWD	6059	317	431	06.05-11.12	■
3.0 V6 CRD (EXL)	Eq.V_ BR4	Diesel	RWD	2987	155	211	11.10-11.12	■
3.0 CRD (EXL)	Eq.V_ BR4	Diesel	RWD	2987	160	218	09.05-11.12	■

#### 300 C II (LX) 09.10-

#### Saloon (Luxury car-F Segment)

3.6 (ERB)	Eq.V_ BR3	Gasolina	RWD	3604	210	286	09.11-08.19	■
3.6 (ERB)	Eq.V_ BR3	Gasolina	RWD	3604	215	292	07.11-12.23	■
3.6		Gasolina	RWD	3604	216	294	04.15-12.23	■

# LISTA DE APLICACIONES - BUYERS GUIDE

3.6 (ERB)	Eq.V_ BR3	Gasolina	RWD	3604	218	296	01.11-12.23	■	
5.7 AWD		Gasolina	4WD	5654	271	369	09.10-	■	
6.4 SRT8 (ESG)		Gasolina	RWD	6417	350	476	09.11-	■	
6.4	Eq.V_ BR3	Gasolina	FWD	6424	401	545	01.12-	■	
3.6 Flexfuel (ERB)		Gasol./Etanol	RWD	3604	218	296	09.10-	■	
<b>300 C Touring (LX, LE) 09.04-12.10</b>					<b>Estate (Luxury car-F Segment)</b>				
2.7 (EES)	Eq.V_ BR4	Gasolina	RWD	2736	130	177	01.07-12.10	■	
2.7 (EER)	Eq.V_ BR4	Gasolina	RWD	2736	142	193	09.04-12.10	■	
3.5 (EGG)	Eq.V_ BR4	Gasolina	RWD	3518	183	249	09.04-12.10	■	
5.7 (EZB)	Eq.V_ BR4	Gasolina	RWD	5654	250	340	09.04-12.10	■	
5.7 (EZD)	Eq.V_ BR4	Gasolina	RWD	5654	250	340	09.04-12.10	■	
5.7 (EZH)	Eq.V_ BR4	Gasolina	RWD	5654	250	340	09.04-12.10	■	
5.7 AWD (EZB)	Eq.V_ BR4	Gasolina	4WD	5654	250	340	04.05-12.10	■	
5.7 AWD (EZH)	Eq.V_ BR4	Gasolina	4WD	5654	250	340	04.05-12.10	■	
6.1 SRT8 (ESF)	Eq.V_ BR4	Gasolina	RWD	6059	317	431	06.05-12.10	■	
3.0 CRD (EXL)	Eq.V_ BR4	Diesel	RWD	2987	160	218	09.05-12.10	■	
<b>DODGE</b>									
<b>CHALLENGER III 09.07-</b>					<b>Coupe (Supermini car-B Segment)</b>				
6.1 SRT8 (ESF)		Gasolina	RWD	6059	313	426	01.08-	■	
6.1 SRT8 (ESF)		Gasolina	RWD	6059	317	431	09.07-	■	
6.4 (ESG)		Gasolina	RWD	6417	362	492	09.14-	■	
6.4 (ESH)		Gasolina	RWD	6417	362	492	09.14-	■	
<b>CHARGER VI 06.05-12.10</b>					<b>Saloon (Luxury car-F Segment)</b>				
2.7		Gasolina	RWD	2736	133	181	09.08-12.10	■	
2.7 (EER)	Eq.V_ BR4	Gasolina	RWD	2736	141	192	04.06-12.10	■	
3.5 (EGG)	Eq.V_ BR4	Gasolina	RWD	3518	186	253	06.05-12.10	■	
5.7 R/T (EZA)	Eq.V_ BR4	Gasolina	RWD	5654	254	345	06.05-12.08	■	
5.7 R/T AWD		Gasolina	4WD	5654	276	375	09.08-12.10	■	
<b>CHARGER VII 09.10-</b>					<b>Saloon (Luxury car-F Segment)</b>				
3.6 (ERB)		Gasolina	RWD	3604	215	292	06.12-	■	
3.6 (ERB)		Gasolina	RWD	3604	218	296	01.11-	■	
5.7 (EZH)		Gasolina	RWD	5654	272	370	06.12-	■	
5.7 R/T (EZH)		Gasolina	RWD	5654	276	375	09.10-	■	
5.7 Flexfuel (EZH)		Gasol./Etanol	RWD	5654	276	375	09.10-12.14	■	