

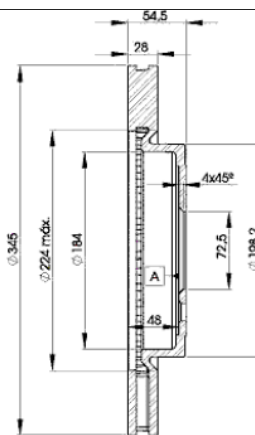
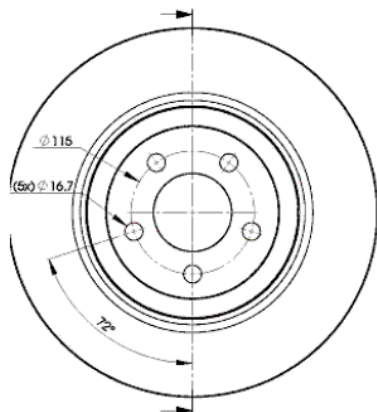
# LISTA DE APLICACIONES - BUYERS GUIDE

## 78BD9197-2



Weight: 20.432

O.E.M.	MAKE
4779197AA	DODGE
4779197AB	CHRYSLER
4779197AC	CHRYSLER
4779197AD	CHRYSLER
4779197AE	CHRYSLER
4779197AF	CHRYSLER
4779197AG	CHRYSLER
5154118AA	CHRYSLER
5154118AB	CHRYSLER
5154118AC	CHRYSLER
K04779197AE	LANCIA
K04779197AF	LANCIA
K04779197AG	LANCIA
K05154118AB	LANCIA
K05154118AC	LANCIA
K05154118AD	LANCIA



## 78BD9197-2



Ø345x28x54.6

MAKE
CHRYSLER
CHRYSLER (BBDC)
DODGE
LANCIA



Trac.	CC	Kw	CV
-------	----	----	----



Front / Rear

### CHRYSLER

#### 300 (U.S.A.) 09.04-12.11

#### Saloon (Luxury car-F Segment)

5.7	Gasolina	FWD		254	345	09.04-12.07	■
-----	----------	-----	--	-----	-----	-------------	---

#### 300 C (LX, LE) 09.04-

#### Saloon (Luxury car-F Segment)

2.7 (EES)	Gasolina	RWD	2736	130	177	01.07-11.12	■
2.7	Gasolina	FWD	2736	133	181	09.09-12.10	■
2.7 (EER)	Gasolina	RWD	2736	142	193	09.04-12.12	■
3.5 (EGG)	Gasolina	RWD	3518	183	249	09.04-11.12	■
3.5	Gasolina	RWD	3518	186	253	01.05-12.10	■
3.5 AWD (EGG)	Gasolina	4WD	3518	186	253	09.04-12.10	■
5.7 (EZB)	Gasolina	RWD	5654	250	340	09.04-12.08	■
5.7 (EZD)	Gasolina	RWD	5654	250	340	09.04-12.08	■
5.7 (EZH)	Gasolina	RWD	5654	250	340	09.04-12.08	■
5.7	Gasolina	FWD	5654	250	340	09.04-08.08	■
5.7	Gasolina	FWD	5654	256	348	12.09-11.12	■
5.7 (EZH)	Gasolina	RWD	5654	265	360	05.09-12.10	■
5.7 (EZH)	Gasolina	RWD	5654	268	364	09.08-	■
5.7 AWD (EZD)	Gasolina	4WD	5654	268	364	09.08-	■
6.1 SRT8 (ESF)	Gasolina	RWD	6059	317	431	06.05-11.12	■
3.0 CRD (EXL)	Diesel	RWD	2987	160	218	09.05-11.12	■

#### 300 C II (LX) 09.10-

#### Saloon (Luxury car-F Segment)

3.6 (ERB)	Gasolina	RWD	3604	210	286	09.11-08.19	■
3.6 AWD (ERB)	Gasolina	4WD	3604	210	286	12.12-	■
3.6 (ERB)	Gasolina	RWD	3604	215	292	07.11-12.23	■

# LISTA DE APLICACIONES - BUYERS GUIDE

3.6 AWD (ERB)		Gasolina	4WD	3604	215	292	01.12-	■	
3.6		Gasolina	RWD	3604	216	294	04.15-12.23	■	
3.6 (ERB)		Gasolina	RWD	3604	218	296	01.11-12.23	■	
5.7 (EZH)		Gasolina	RWD	5654	271	369	09.10-	■	
5.7 AWD		Gasolina	4WD	5654	271	369	09.10-	■	
6.4 (ESG)		Gasolina	RWD	6417	347	472	09.11-12.23	■	
6.4 SRT8 (ESG)		Gasolina	RWD	6417	350	476	09.11-	■	
6.4		Gasolina	FWD	6424	401	545	01.12-	■	
3.6 Flexfuel (ERB)		Gasol./Etanol	RWD	3604	218	296	09.10-	■	
3.0 CRD (EXF)		Diesel	RWD	2987	176	239	09.11-12.23	■	
<b>300 C Touring (LX, LE) 09.04-12.10</b>				<b>Estate (Luxury car-F Segment)</b>					
2.7 (EES)		Gasolina	RWD	2736	130	177	01.07-12.10	■	
2.7 (EER)		Gasolina	RWD	2736	142	193	09.04-12.10	■	
3.5 (EGG)		Gasolina	RWD	3518	183	249	09.04-12.10	■	
3.5 AWD (EGG)		Gasolina	4WD	3518	183	249	09.04-12.10	■	
5.7 (EZB)		Gasolina	RWD	5654	250	340	09.04-12.10	■	
5.7 (EZD)		Gasolina	RWD	5654	250	340	09.04-12.10	■	
5.7 (EZH)		Gasolina	RWD	5654	250	340	09.04-12.10	■	
5.7 AWD (EZB)		Gasolina	4WD	5654	250	340	04.05-12.10	■	
5.7 AWD (EZH)		Gasolina	4WD	5654	250	340	04.05-12.10	■	
6.1 SRT8 (ESF)		Gasolina	RWD	6059	317	431	06.05-12.10	■	
3.0 CRD (EXL)		Diesel	RWD	2987	160	218	09.05-12.10	■	
<b>CHRYSLER (BBDC)</b>									
<b>300C 10.06-01.12</b>				<b>Saloon (Executive car-E Segment)</b>					
2.7		Gasolina	FWD	2736	152	204	10.06-	■	
3.5		Gasolina	FWD	3518	189	253	10.06-	■	
5.7		Gasolina	FWD	5654	252	338	10.06-	■	
<b>DODGE</b>									
<b>CHALLENGER III 09.07-</b>				<b>Coupe (Supermini car-B Segment)</b>					
3.6 (ERB)		Gasolina	RWD	3604	227	309	01.11-	■	
6.4 SRT8 (ESH)		Gasolina	RWD	6417	346	471	08.11-	■	
6.4 SRT8 (ESG)		Gasolina	RWD	6417	351	477	01.11-	■	
6.4 (ESG)		Gasolina	RWD	6417	362	492	09.14-	■	
6.4 (ESH)		Gasolina	RWD	6417	362	492	09.14-	■	
<b>CHARGER VI 06.05-12.10</b>				<b>Saloon (Luxury car-F Segment)</b>					
3.5 AWD (EGG)		Gasolina	4WD	3518	186	253	09.06-12.10	■	
6.1 SRT8 (ESF)		Gasolina	RWD	6059	317	431	09.05-12.10	■	
<b>CHARGER VII 09.10-</b>				<b>Saloon (Luxury car-F Segment)</b>					
3.6 (ERB)		Gasolina	RWD	3604	215	292	06.12-	■	
3.6 (ERB)		Gasolina	RWD	3604	218	296	01.11-	■	
3.6 AWD (ERB)		Gasolina	4WD	3605	218	296	01.11-	■	
5.7 (EZH)		Gasolina	RWD	5654	272	370	06.12-	■	
5.7 R/T (EZH)		Gasolina	RWD	5654	276	375	09.10-	■	
5.7 R/T AWD (EZH)		Gasolina	4WD	5654	276	375	09.10-	■	
6.2 SRT Hellcat (ESD)		Gasolina	RWD	6166	527	717	09.14-	■	
6.4 SRT8 (ESG)		Gasolina	RWD	6417	351	477	09.11-	■	
6.4 SRT8 (ESG)		Gasolina	RWD	6417	362	492	09.14-	■	
5.7 Flexfuel (EZH)		Gasol./Etanol	RWD	5654	276	375	09.10-12.14	■	

# LISTA DE APLICACIONES - BUYERS GUIDE

5.7 Flexfuel AWD (EZH)	Gasol./Etanol	4WD	5654	276	375	09.10-12.14	■
<b>LANCIA</b>							
<b>THEMA II (LX_) 09.11-</b>				<b>Saloon (Executive car-E Segment)</b>			
3.6 (48, LX) (ERB)	Gasolina	RWD	3604	210	286	09.11-10.14	■
3.6 4WD (LX, 48) (ERB)	Gasolina	4WD	3604	210	286	09.11-10.14	■
3.0 D (LX, 48) (EXF)	Diesel	RWD	2987	140	190	09.11-10.14	■
3.0 D (48, LX) (EXF)	Diesel	RWD	2987	176	239	09.11-10.14	■