

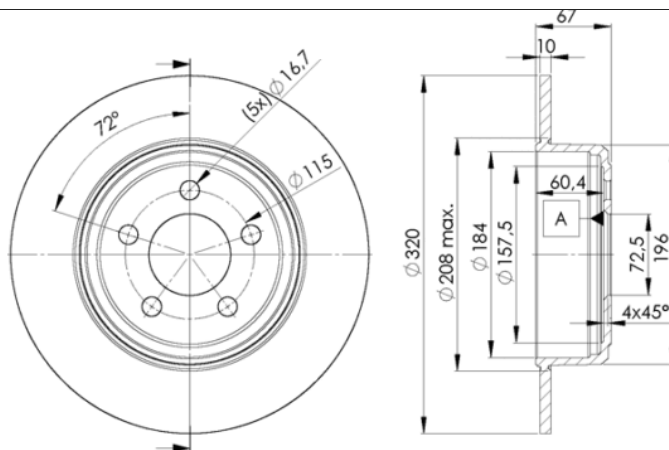
LISTA DE APLICACIONES - BUYERS GUIDE

78BD9198-2



Weight: 13.400

O.E.M.	MAKE
4779209AB	CHRYSLER



78BD9198-2

E1 90R-02C0241/1703



∅320x10x67

MAKE
CHRYSLER
DODGE



Trac.	CC	Kw	CV
-------	----	----	----



Front / Rear

CHRYSLER

300 C (LX, LE) 09.04-

Saloon (Luxury car-F Segment)

2.7 (EES)	sports chassis	Gasolina	RWD	2736	130	177	01.07-11.12	■
2.7 (EER)		Gasolina	RWD	2736	142	193	09.04-12.12	■
3.5 (EGG)		Gasolina	RWD	3518	183	249	09.04-11.12	■
3.5		Gasolina	RWD	3518	186	253	01.05-12.10	■
5.7 (EZH)		Gasolina	RWD	5654	268	364	09.08-	■
5.7 AWD (EZD)		Gasolina	4WD	5654	268	364	09.08-	■
3.0 CRD (EXL)		Diesel	RWD	2987	160	218	09.05-11.12	■

300 C II (LX) 09.10-

Saloon (Luxury car-F Segment)

3.6 AWD (ERB)		Gasolina	4WD	3604	210	286	12.12-	■
3.6 AWD (ERB)		Gasolina	4WD	3604	215	292	01.12-	■
3.6		Gasolina	RWD	3604	216	294	04.15-12.23	■
3.6 (ERB)		Gasolina	RWD	3604	218	296	01.11-12.23	■
5.7 AWD		Gasolina	4WD	5654	271	369	09.10-	■
6.4 SRT8 (ESG)		Gasolina	RWD	6417	350	476	09.11-	■
3.6 Flexfuel (ERB)		Gasol./Etanol	RWD	3604	218	296	09.10-	■

300 C Touring (LX, LE) 09.04-12.10

Estate (Luxury car-F Segment)

2.7 (EES)		Gasolina	RWD	2736	130	177	01.07-12.10	■
2.7 (EER)		Gasolina	RWD	2736	142	193	09.04-12.10	■
3.5 (EGG)		Gasolina	RWD	3518	183	249	09.04-12.10	■
3.5 AWD (EGG)		Gasolina	4WD	3518	183	249	09.04-12.10	■
3.0 CRD (EXL)		Diesel	RWD	2987	160	218	09.05-12.10	■

DODGE

LISTA DE APLICACIONES - BUYERS GUIDE

CHALLENGER III 09.07-					Coupe (Supermini car-B Segment)			
6.1 SRT8 (ESF)	Gasolina	RWD	6059	313	426	01.08-	■	
6.1 SRT8 (ESF)	Gasolina	RWD	6059	317	431	09.07-	■	
CHARGER VI 06.05-12.10					Saloon (Luxury car-F Segment)			
2.7	Gasolina	RWD	2736	133	181	09.08-12.10	■	
5.7 R/T AWD	Gasolina	4WD	5654	276	375	09.08-12.10	■	