

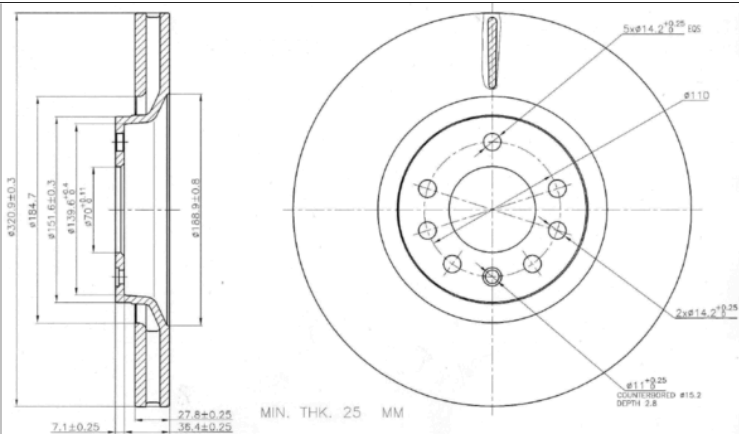
LISTA DE APLICACIONES - BUYERS GUIDE

78BD9213-2



Weight: 18.630

| O.E.M. | MAKE |
|------------|------|
| 569 017 | OPEL |
| 93 185 817 | - |



78BD9213-2

E1 90R-02C0289/1342



Ø320.9x27.8x43.5

| MAKE |
|----------|
| HSV |
| OPEL |
| VAUXHALL |



| Trac. | CC | Kw | CV | Hourglass | Front / Rear |
|-------|----|----|----|-----------|--------------|
|-------|----|----|----|-----------|--------------|

| HSV | | | | | | | | |
|---|----------|-----|------|-----|-----|--|---|--|
| VXR (AH) 09.06-05.09 | | | | | | Hatchback (Sports car-S Segment) | | |
| 2.0 i Turbo | Gasolina | FWD | 1998 | 177 | 241 | 09.06- | ■ | |
| OPEL | | | | | | | | |
| ASTRA H (A04) 01.04-01.11 | | | | | | Hatchback (Compact car-C Segment) | | |
| 2.0 Turbo (L48) (Z 20 LEH) | Gasolina | FWD | 1998 | 177 | 240 | 03.05-10.10 | ■ | |
| ASTRA H GTC (A04) 03.05-10.10 | | | | | | Hatchback (Compact car-C Segment) | | |
| 2.0 Turbo (L08) (Z 20 LEH) | Gasolina | FWD | 1998 | 177 | 240 | 08.05-10.10 | ■ | |
| ZAFIRA / ZAFIRA FAMILY B (A05) 07.05- | | | | | | MPV (Compact MPV-M1 Segment) | | |
| 2.0 (M75) (Z 20 LEH) | Gasolina | FWD | 1998 | 177 | 241 | 01.06-12.10 | ■ | |
| VAUXHALL | | | | | | | | |
| ASTRA Mk V (H) (A04) 01.04-03.11 | | | | | | Hatchback (Compact car-C Segment) | | |
| 2.0 Turbo (L48) (Z 20 LEH) | Gasolina | FWD | 1998 | 177 | 240 | 01.04-05.09 | ■ | |
| ASTRA Mk V (H) Sport Hatch (A04) 02.05-11.10 | | | | | | Hatchback (Compact car-C Segment) | | |
| 2.0 VXR (L08) (Z 20 LEH) | Gasolina | FWD | 1998 | 176 | 240 | 02.09-11.10 | ■ | |
| ZAFIRA Mk II (B) (A05) 04.05-11.14 | | | | | | MPV (Compact MPV-M1 Segment) | | |
| 2.0 (Z 20 LEH) | Gasolina | FWD | 1998 | 176 | 240 | 01.06-11.14 | ■ | |