

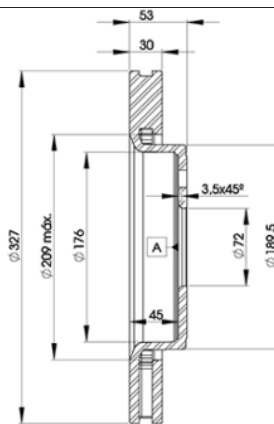
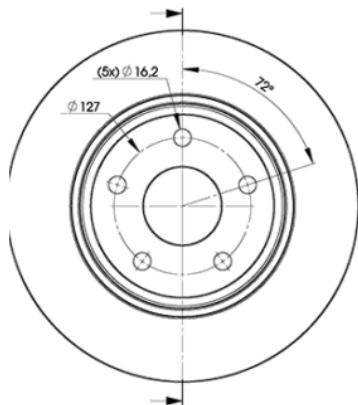
LISTA DE APLICACIONES - BUYERS GUIDE

78BD9269-2



Weight: 21.180

| O.E.M. | MAKE |
|-------------|------|
| 052089269AB | JEEP |
| 2AMV9269AB | JEEP |
| 52089269AB | JEEP |



78BD9269-2

E1 90R-02C0289/1576



Ø327x30x53

| MAKE |
|------|
| JEEP |



| Trac. | CC | Kw | CV |
|-------|----|----|----|
|-------|----|----|----|



Front / Rear

JEEP

COMMANDER (XK, XH) 09.05-12.10

SUV (Pick-Up Truck)

| | | | | | | | | |
|--------------------|--|----------|-----|------|-----|-----|-------------|---|
| 3.7 V6 4x4 (EKG) | | Gasolina | 4WD | 3701 | 157 | 214 | 09.05-12.10 | ■ |
| 4.7 V8 4x4 (EVA) | | Gasolina | 4WD | 4701 | 170 | 231 | 09.05-12.10 | ■ |
| 4.7 Flexfuel | | Gasolina | FWD | 4701 | 175 | 238 | 09.06-12.07 | ■ |
| 4.7 Flexfuel | | Gasolina | FWD | 4701 | 175 | 238 | 09.06-12.07 | ■ |
| 4.7 V8 4x4 (EVE) | | Gasolina | 4WD | 4701 | 223 | 303 | 01.08-12.09 | ■ |
| 5.7 V8 4x4 (EZB) | | Gasolina | 4WD | 5654 | 240 | 326 | 09.05-12.10 | ■ |
| 5.7 HEMI 4x4 (EZH) | | Gasolina | 4WD | 5654 | 255 | 347 | 06.09-12.10 | ■ |
| 3.0 CRD 4x4 | | Diesel | 4WD | 2987 | 155 | 211 | 09.05-12.10 | ■ |
| 3.0 CRD 4x4 (EXL) | | Diesel | 4WD | 2987 | 160 | 218 | 04.06-12.10 | ■ |

COMMANDER VAN (XH) 09.05-12.10

SUV Van (Pick-Up Truck)

| | | | | | | | | |
|-----------------|--|----------|-----|------|-----|-----|-------------|---|
| 5.7 HEMI V8 4x4 | | Gasolina | 4WD | 5654 | 240 | 326 | 09.05-12.10 | ■ |
| 3.0 CRD 4x4 | | Diesel | 4WD | 2987 | 160 | 218 | 09.05-12.10 | ■ |

GRAND CHEROKEE II (WJ, WG) 09.98-09.05

Closed Off-Road Vehicle (Luxury Crossover SUV-J Segment)

| | | | | | | | | |
|------------------|--------|----------|-----|------|-----|-----|-------------|---|
| 3.7 Laredo | | Gasolina | FWD | 3700 | 157 | 213 | 10.04-09.05 | ■ |
| 4.7 | | Gasolina | FWD | 4701 | 167 | 227 | 10.04-09.05 | ■ |
| 4.7 V8 4x4 (EVA) | 06/05- | Gasolina | 4WD | 4701 | 167 | 227 | 06.03-09.05 | ■ |
| 4.7 V8 4x4 (EVC) | 06/05- | Gasolina | 4WD | 4701 | 190 | 258 | 10.01-09.05 | ■ |

GRAND CHEROKEE III (WH, WK) 10.04-12.11

Closed Off-Road Vehicle (Luxury Crossover SUV-J Segment)

| | | | | | | | | |
|------------------|--|----------|-----|------|-----|-----|-------------|---|
| 3.7 V6 4x4 (EKG) | | Gasolina | 4WD | 3700 | 148 | 201 | 01.08-12.10 | ■ |
| 3.7 V6 (EKG) | | Gasolina | RWD | 3701 | 157 | 214 | 10.04-12.10 | ■ |
| 3.7 V6 4x4 (EKG) | | Gasolina | 4WD | 3701 | 157 | 214 | 10.04-12.10 | ■ |

LISTA DE APLICACIONES - BUYERS GUIDE

| | | | | | | | |
|---|---------------|-----|------|-----|-----|---|---|
| 4.7 V8 4x4 (EVA) | Gasolina | 4WD | 4701 | 164 | 223 | 06.05-12.10 | ■ |
| 4.7 V8 (EVA) | Gasolina | RWD | 4701 | 167 | 227 | 10.04-05.10 | ■ |
| 4.7 V8 (EVE) | Gasolina | RWD | 4701 | 167 | 227 | 10.04-05.10 | ■ |
| 4.7 V8 4x4 (EVE) | Gasolina | 4WD | 4701 | 167 | 227 | 10.07-05.10 | ■ |
| 4.7 V8 4x4 (EVA) | Gasolina | 4WD | 4701 | 170 | 231 | 06.05-12.10 | ■ |
| 4.7 V8 4x4 (EVA) | Gasolina | 4WD | 4701 | 223 | 303 | 09.07-02.10 | ■ |
| 4.7 V8 4x4 (EVE) | Gasolina | 4WD | 4701 | 223 | 303 | 09.07-02.10 | ■ |
| 4.7 4WD | Gasolina | 4WD | 4701 | 227 | 309 | 09.07-12.08 | ■ |
| 5.7 (EZB) | Gasolina | RWD | 5654 | 240 | 326 | 06.05-12.08 | ■ |
| 5.7 V8 4x4 (EZB) | Gasolina | 4WD | 5654 | 240 | 326 | 06.05-12.10 | ■ |
| 5.7 V8 4x4 (EZD) | Gasolina | 4WD | 5654 | 259 | 352 | 01.09-12.10 | ■ |
| 5.7 V8 4x4 (EZH) | Gasolina | 4WD | 5654 | 259 | 352 | 01.09-12.10 | ■ |
| 5.7 V8 4x4 (EZD) | Gasolina | 4WD | 5654 | 265 | 360 | 01.09-12.10 | ■ |
| 5.7 V8 4x4 (EZH) | Gasolina | 4WD | 5654 | 269 | 366 | 01.09-12.10 | ■ |
| 4.7 V8 FLEX (EVA) | Gasol./Etanol | RWD | 4701 | 167 | 227 | 10.04-05.10 | ■ |
| 4.7 V8 FLEX (EVD) | Gasol./Etanol | RWD | 4701 | 167 | 227 | 10.04-05.10 | ■ |
| 4.7 V8 FLEX (EVE) | Gasol./Etanol | RWD | 4701 | 167 | 227 | 10.04-05.10 | ■ |
| 3.0 CRD 4x4 (EXL) | Diesel | 4WD | 2987 | 132 | 180 | 05.06-12.10 | ■ |
| 3.0 CRD 4x4 (EXL) | Diesel | 4WD | 2987 | 155 | 211 | 05.06-12.10 | ■ |
| 3.0 CRD (EXL) | Diesel | RWD | 2987 | 160 | 218 | 06.05-12.10 | ■ |
| 3.0 CRD 4x4 (EXL) | Diesel | 4WD | 2987 | 160 | 218 | 06.05-12.10 | ■ |
| 3.0 CRD 4x4 | Diesel | 4WD | 2987 | 165 | 224 | 03.05-10.11 | ■ |
| GRAND CHEROKEE IV (WK, WK2) 06.10- | | | | | | SUV (Luxury Crossover SUV-J Segment) | |
| 3.6 V6 FlexFuel 4x4 (ERB) | Gasol./Etanol | 4WD | 3604 | 210 | 286 | 11.10- | ■ |