

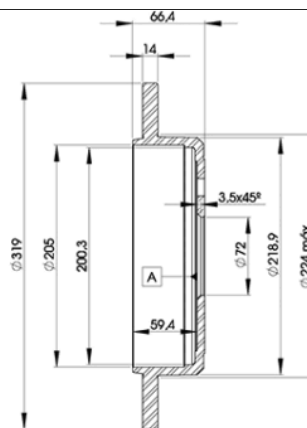
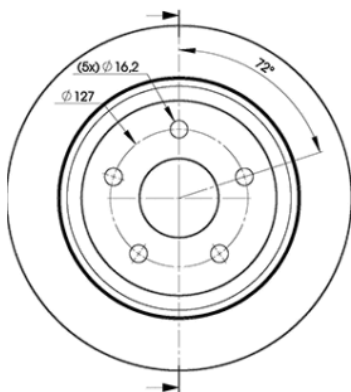
# LISTA DE APLICACIONES - BUYERS GUIDE

## 78BD9275-2



Weight: 16.280

O.E.M.	MAKE
052089275AB	JEEP
52089275AB	JEEP
K52089275AB	JEEP
V5019275AA	JEEP



## 78BD9275-2

**E1** 90R-02C0241/1751



Ø319x14x66.4

MAKE
JEEP



Trac.	CC	Kw	CV
-------	----	----	----



Front / Rear

### JEEP

#### COMMANDER (XK, XH) 09.05-12.10

#### SUV (Pick-Up Truck)

3.7 V6 4x4 (EKG)		Gasolina	4WD	3701	157	214	09.05-12.10	■
4.7 V8 4x4 (EVA)		Gasolina	4WD	4701	170	231	09.05-12.10	■
4.7 Flexfuel		Gasolina	FWD	4701	175	238	09.06-12.07	■
4.7 Flexfuel		Gasolina	FWD	4701	175	238	09.06-12.07	■
4.7 V8 4x4 (EVE)		Gasolina	4WD	4701	223	303	01.08-12.09	■
5.7 V8 4x4 (EZB)		Gasolina	4WD	5654	240	326	09.05-12.10	■
5.7 HEMI 4x4 (EZH)		Gasolina	4WD	5654	255	347	06.09-12.10	■
3.0 CRD 4x4		Diesel	4WD	2987	155	211	09.05-12.10	■
3.0 CRD 4x4 (EXL)		Diesel	4WD	2987	160	218	04.06-12.10	■

#### COMMANDER VAN (XH) 09.05-12.10

#### SUV Van (Pick-Up Truck)

5.7 HEMI V8 4x4		Gasolina	4WD	5654	240	326	09.05-12.10	■
3.0 CRD 4x4		Diesel	4WD	2987	160	218	09.05-12.10	■

#### GRAND CHEROKEE II (WJ, WG) 09.98-09.05

#### Closed Off-Road Vehicle (Luxury Crossover SUV-J Segment)

3.7 Laredo		Gasolina	FWD	3700	157	213	10.04-09.05	■
4.7		Gasolina	FWD	4701	167	227	10.04-09.05	■
4.7 V8 4x4 (EVA)	06/05-	Gasolina	4WD	4701	167	227	06.03-09.05	■
4.7 V8 4x4 (EVC)	06/05-	Gasolina	4WD	4701	190	258	10.01-09.05	■

#### GRAND CHEROKEE III (WH, WK) 10.04-12.11

#### Closed Off-Road Vehicle (Luxury Crossover SUV-J Segment)

3.7 V6 4x4 (EKG)		Gasolina	4WD	3700	148	201	01.08-12.10	■
3.7 V6 (EKG)		Gasolina	RWD	3701	157	214	10.04-12.10	■
3.7 V6 4x4 (EKG)		Gasolina	4WD	3701	157	214	10.04-12.10	■

## LISTA DE APLICACIONES - BUYERS GUIDE

4.7 V8 4x4 (EVA)	Gasolina	4WD	4701	164	223	06.05-12.10	■	
4.7 V8 (EVA)	Gasolina	RWD	4701	167	227	10.04-05.10	■	
4.7 V8 (EVE)	Gasolina	RWD	4701	167	227	10.04-05.10	■	
4.7 V8 4x4 (EVE)	Gasolina	4WD	4701	167	227	10.07-05.10	■	
4.7 V8 4x4 (EVA)	Gasolina	4WD	4701	170	231	06.05-12.10	■	
4.7 V8 4x4 (EVA)	Gasolina	4WD	4701	223	303	09.07-02.10	■	
4.7 V8 4x4 (EVE)	Gasolina	4WD	4701	223	303	09.07-02.10	■	
4.7 4WD	Gasolina	4WD	4701	227	309	09.07-12.08	■	
5.7 (EZB)	Gasolina	RWD	5654	240	326	06.05-12.08	■	
5.7 V8 4x4 (EZB)	Gasolina	4WD	5654	240	326	06.05-12.10	■	
5.7 V8 4x4 (EZD)	Gasolina	4WD	5654	265	360	01.09-12.10	■	
5.7 V8 4x4 (EZH)	Gasolina	4WD	5654	269	366	01.09-12.10	■	
4.7 V8 FLEX (EVA)	Gasol./Etanol	RWD	4701	167	227	10.04-05.10	■	
4.7 V8 FLEX (EVD)	Gasol./Etanol	RWD	4701	167	227	10.04-05.10	■	
4.7 V8 FLEX (EVE)	Gasol./Etanol	RWD	4701	167	227	10.04-05.10	■	
3.0 CRD 4x4 (EXL)	Diesel	4WD	2987	132	180	05.06-12.10	■	
3.0 CRD 4x4 (EXL)	Diesel	4WD	2987	155	211	05.06-12.10	■	
3.0 CRD (EXL)	Diesel	RWD	2987	160	218	06.05-12.10	■	
3.0 CRD 4x4 (EXL)	Diesel	4WD	2987	160	218	06.05-12.10	■	
3.0 CRD 4x4	Diesel	4WD	2987	165	224	03.05-10.11	■	
<b>GRAND CHEROKEE IV (WK, WK2) 06.10-</b>					<b>SUV (Luxury Crossover SUV-J Segment)</b>			
3.6 V6 FlexFuel 4x4 (ERB)	Gasol./Etanol	4WD	3604	210	286	11.10-	■	