

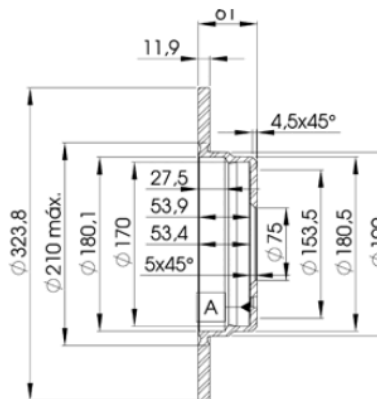
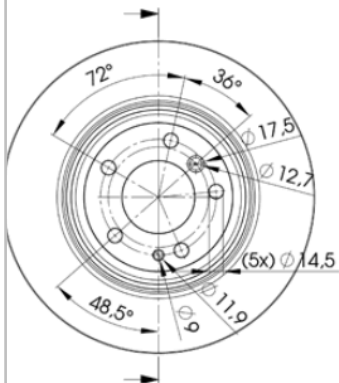
# LISTA DE APLICACIONES - BUYERS GUIDE

## 78BD9900-2



Weight: 13.880

O.E.M.	MAKE
34 21 1 157 953	BMW
34 21 1 159 900	BMW
34 21 6 757 748	BMW



## 78BD9900-2

**E1 90R-02C0241/1703**



Ø323.8x11.9x61

**MAKE**  
BMW



Trac.	CC	Kw	CV
-------	----	----	----



Front / Rear

### BMW

#### 7 Serie III (E38) 03.94-12.01

#### Saloon (Luxury car-F Segment)

Model	Engine	Drivetrain	CC	Kw	CV	Period	Front	Rear
728 i, iL (M52 B28 (286S1))	Gasolina	RWD	2793	142	193	08.95-11.01	■	■
728 i, iL (M52 B28 (286S2))	Gasolina	RWD	2793	142	193	08.95-11.01	■	■
728i X (M52 B28 (286S1))	Gasolina	4WD	2793	142	193	11.95-09.01	■	■
730 i, iL (M60 B30 (308S1))	Gasolina	RWD	2997	155	211	10.94-11.01	■	■
730 i, iL (M60 B30 (308S1))	Gasolina	RWD	2997	160	218	03.94-02.96	■	■
735 i, iL (M62 B35 (358S1))	Gasolina	RWD	3498	173	235	03.96-08.98	■	■
735 i, iL (M62 B35 (358S2))	Gasolina	RWD	3498	175	238	09.98-07.01	■	■
740 i, iL (M60 B40 (408S1))	Gasolina	RWD	3982	210	286	03.94-02.96	■	■
740 i, iL (M62 B44 (448S1))	Gasolina	RWD	4398	210	286	02.96-07.01	■	■
740 i, iL (M62 B44 (448S2))	Gasolina	RWD	4398	210	286	02.96-07.01	■	■
725 tds (M51 D25 (256T1))	Diesel	RWD	2497	105	143	04.96-11.01	■	■
730 d (M57 D30 (306D1))	Diesel	RWD	2926	135	184	08.98-04.00	■	■
730 d (M57 D30 (306D1))	Diesel	RWD	2926	142	193	04.00-11.01	■	■
740 d (M67 D39 (398D1))	Diesel	RWD	3901	180	245	05.99-11.01	■	■

#### 8 Serie (E31) 01.90-12.99

#### Coupe (Grand Tourer-S Segment)

840 i (M60 B40 (408S1))	Gasolina	RWD	3982	210	286	03.93-02.96	■	■
840 Ci (M62 B44 (448S1))	Gasolina	RWD	4398	210	286	03.96-06.99	■	■
850 i, Ci (M70 B50 (5012A))	Gasolina	RWD	4988	220	300	01.90-08.94	■	■
850 Ci (M73 B54 (54121))	Gasolina	RWD	5379	240	326	09.94-12.99	■	■
850 CSi (S70 B56 (56121))	Gasolina	RWD	5576	280	380	11.92-12.96	■	■