

LISTA DE APLICACIONES - BUYERS GUIDE

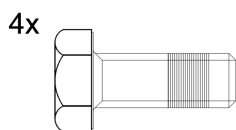
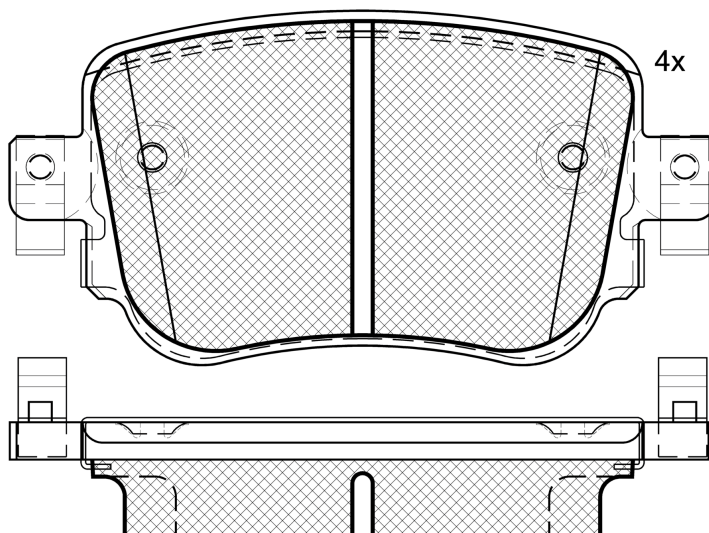
EV2152



Qty: 505

Weight: 1.110

O.E.M.	MAKE
2K5 698 451 A	VW
2K5 698 451 B	VW
2Q0 698 451 A	VW
2Q0 698 451 D	AUDI
5Q0 698 451 B	VW
5Q0 698 451 F	VW
5Q0 698 451 L	SEAT
7N0 698 451 A	SEAT
7N0 698 451 B	VW
8U0 698 451 F	AUDI



1-Ref. 690042

EV2152

E 9 90R-02A1662/3778



Trw

104x52x17.4

WVA	FMSI
25109	D1779-9008
25110	

MAKE
AUDI
AUDI (FAW)
SEAT
SKODA
VW



Trac.	CC	Kw	CV
-------	----	----	----



Front / Rear

AUDI

							Hatchback (Supermini car-B Segment)	
A1 (8X1, 8XK) 05.10-								
1.0 TFSI (CHZE)		Gasolina	FWD	999	60	82	01.16-10.18	■
1.0 TFSI (CHZB)		Gasolina	FWD	999	70	95	03.15-10.18	■
1.0 TFSI (DKLD)		Gasolina	FWD	999	70	95	03.15-10.18	■
1.4 TFSI (CZCA)		Gasolina	FWD	1395	92	125	11.14-10.18	■
1.4 TFSI (CZDD)		Gasolina	FWD	1395	92	125	11.14-10.18	■
1.4 TSI (CZEA)		Gasolina	FWD	1395	110	150	11.14-10.18	■
1.8 TFSI (DAJB)		Gasolina	FWD	1798	141	192	02.15-10.18	■
S1 quattro (CWZA)		Gasolina	4WD	1984	170	231	03.14-10.18	■
1.4 TDI (CUSB)		Diesel	FWD	1422	66	90	11.14-10.18	■
1.6 TDI (CXMA)		Diesel	FWD	1598	85	115	11.14-10.18	■
A1 CITY CARVER (GBH) 07.19-							Hatchback (Supermini car-B Segment)	
25 TFSI (DKLA)		Gasolina	FWD	999	70	95	07.19-06.22	■
30 TFSI (DKJA)		Gasolina	FWD	999	85	116	07.19-06.22	■
30 TFSI (DKRF)		Gasolina	FWD	999	85	116	07.19-06.22	■
35 TFSI (DPCA)		Gasolina	FWD	1498	110	150	07.19-06.22	■
A1 II Sportback (GBA) 07.18-							Hatchback (Supermini car-B Segment)	
25 TFSI (DKLA)		Gasolina	FWD	999	70	95	11.18-	■
25 TFSI (DLAC)		Gasolina	FWD	999	70	95	11.18-	■
30 TFSI (DKJA)		Gasolina	FWD	999	85	116	07.18-	■
30 TFSI (DKRF)		Gasolina	FWD	999	85	116	07.18-	■
40 TFSI (CZPC)		Gasolina	FWD	1984	147	200	09.18-	■
40 TFSI (DKZC)		Gasolina	FWD	1984	147	200	09.18-	■

LISTA DE APLICACIONES - BUYERS GUIDE

40 TFSI		Gasolina	FWD	1984	152	207	04.21-	■
A1 Sportback (8XA, 8XF) 09.11-					Hatchback (Supermini car-B Segment)			
1.0 TFSI (CHZE)		Gasolina	FWD	999	60	82	01.16-10.18	■
1.0 TFSI (CHZB)		Gasolina	FWD	999	70	95	03.15-10.18	■
1.0 TFSI (DKLD)		Gasolina	FWD	999	70	95	03.15-10.18	■
1.4 TFSI (CZCA)		Gasolina	FWD	1395	92	125	11.14-10.18	■
1.4 TFSI (CZDD)		Gasolina	FWD	1395	92	125	11.14-10.18	■
1.4 TSI (CZEA)		Gasolina	FWD	1395	110	150	11.14-10.18	■
1.8 TFSI (DAJB)		Gasolina	FWD	1798	141	192	02.15-10.18	■
S1 quattro (CWZA)		Gasolina	4WD	1984	170	231	03.14-10.18	■
1.4 TDI (CUSB)		Diesel	FWD	1422	66	90	11.14-10.18	■
1.6 TDI (CXMA)		Diesel	FWD	1598	85	115	11.14-10.18	■
Q3 (8UB, 8UG) 06.11-					SUV (Compact Crossover CUV-C Segment)			
1.4 TFSI (CZDB)		Gasolina	FWD	1395	92	125	07.16-10.18	■
1.4 TSI (CHPB)		Gasolina	FWD	1395	110	150	10.13-10.18	■
1.4 TSI (CZDA)		Gasolina	FWD	1395	110	150	10.13-10.18	■
1.4 TSI (CZEA)		Gasolina	FWD	1395	110	150	10.13-10.18	■
2.0 TFSI quattro (CCZC)		Gasolina	4WD	1984	125	170	06.11-04.15	■
2.0 TFSI (CULB)		Gasolina	FWD	1984	132	180	05.15-10.18	■
2.0 TFSI quattro (CULB)		Gasolina	4WD	1984	132	180	11.14-10.18	■
2.0 TFSI quattro (CCTA)		Gasolina	4WD	1984	147	200	09.14-10.18	■
2.0 TFSI quattro (CPSA)		Gasolina	4WD	1984	155	211	06.11-04.15	■
2.0 TFSI quattro (CULC)		Gasolina	4WD	1984	162	220	11.14-10.18	■
RS 2.5 quattro (CTSA)		Gasolina	4WD	2480	228	310	10.13-10.18	■
RS 2.5 quattro (CZGA)		Gasolina	4WD	2480	250	340	05.13-10.18	■
RS performance 2.5 quattro (CZGB)		Gasolina	4WD	2480	270	367	01.15-10.18	■
3.2 TFSi		Gasolina	FWD	3195	125	170	11.14-	■
3.2 TFSi		Gasolina	FWD	3195	155	211	11.14-	■
1.4 TFSi Flex (CWLA)		Gasol./Etanol	FWD	1395	110	150	02.16-10.18	■
1.4 TFSi Flex (CZDA)		Gasol./Etanol	FWD	1395	110	150	02.16-10.18	■
2.0 TDI (CUVD)		Diesel	FWD	1968	88	120	03.15-10.18	■
2.0 TDI (DFTC)		Diesel	FWD	1968	88	120	03.15-10.18	■
2.0 TDI (CFFA)		Diesel	FWD	1968	100	136	09.11-10.18	■
2.0 TDI (CUVB)		Diesel	FWD	1968	100	136	09.11-10.18	■
2.0 TDI (DFTB)		Diesel	FWD	1968	100	136	09.11-10.18	■
2.0 TDI (CFFB)		Diesel	FWD	1968	103	140	09.11-10.18	■
2.0 TDI (CLJA)		Diesel	FWD	1968	103	140	09.11-10.18	■
2.0 TDI quattro (CFFB)		Diesel	4WD	1968	103	140	01.12-10.18	■
2.0 TDI (CUVC)		Diesel	FWD	1968	110	150	11.14-10.18	■
2.0 TDI (DBBA)		Diesel	FWD	1968	110	150	11.14-10.18	■
2.0 TDI (DFTA)		Diesel	FWD	1968	110	150	11.14-10.18	■
2.0 TDI quattro (CUVC)		Diesel	4WD	1968	110	150	11.14-10.18	■
2.0 TDI quattro (DFTA)		Diesel	4WD	1968	110	150	11.14-10.18	■
2.0 TDI quattro (CFGD)		Diesel	4WD	1968	120	163	06.11-04.15	■
2.0 TDI (CFGC)		Diesel	FWD	1968	130	177	06.11-04.15	■
2.0 TDI quattro (CFGC)		Diesel	4WD	1968	130	177	06.11-10.18	■
2.0 TDI quattro (CLLB)		Diesel	4WD	1968	130	177	06.11-10.18	■
2.0 TDI (CUWA)		Diesel	FWD	1968	135	184	05.15-10.18	■
2.0 TDI (DFUA)		Diesel	FWD	1968	135	184	05.15-10.18	■

LISTA DE APLICACIONES - BUYERS GUIDE

2.0 TDI quattro (CUWA)		Diesel	4WD	1968	135	184	11.14-10.18	■
2.0 TDI quattro (CYLA)		Diesel	4WD	1968	135	184	11.14-10.18	■
2.0 TDI quattro (DFUA)		Diesel	4WD	1968	135	184	11.14-10.18	■
2.0 TDI		Diesel	RWD	1995	130	177	11.14-	■
3.2 TDi		Diesel	RWD	3195	103	140	11.14-	■
AUDI (FAW)								
Q3 (84B, 84G) 04.13-					Closed Off-Road Vehicle (Compact Crossover CUV-C Segment)			
35 TFSI		Gasolina	FWD	1984	132	180	04.16-	■
35 TFSI		Gasolina	FWD	1984	132	180	04.16-	■
40 TFSI		Gasolina	FWD	1984	162	220	04.16-	■
Q3 (84B, 84G) 04.13-					SUV (Compact Crossover CUV-C Segment)			
35 TFSI		Gasolina	FWD	1984	125	170	04.13-12.16	■
35 TFSI quattro		Gasolina	4WD	1984	125	170	04.13-12.16	■
40 TFSI quattro		Gasolina	4WD	1984	147	200	04.13-12.16	■
SEAT								
ALHAMBRA II (711) 06.10-					Box Body/MPV (Large MPV-M1 Segment)			
TSi		Gasolina	FWD	1395	110	150	05.15-12.22	■
TDI		Diesel	FWD	1968	85	116	10.14-09.18	■
TDI		Diesel	FWD	1968	110	150	05.15-12.22	■
TDI 4Drive		Diesel	4WD	1968	110	150	05.15-12.22	■
TDI		Diesel	FWD	1968	135	184	05.15-08.18	■
ALHAMBRA II (710, 711) 06.10-					MPV (Large MPV-M1 Segment)			
1.4 TSI (CAVA)		Gasolina	FWD	1390	110	150	06.10-04.15	■
1.4 TSI (CNWB)		Gasolina	FWD	1390	110	150	06.10-04.15	■
1.4 TSI (CTHA)		Gasolina	FWD	1390	110	150	06.10-04.15	■
1.4 TSI (CZDA)		Gasolina	FWD	1395	110	150	05.15-12.22	■
1.4 TSI (DJKA)		Gasolina	FWD	1395	110	150	05.15-12.22	■
1.8 TSI (CDAA)		Gasolina	FWD	1798	118	160	11.12-04.15	■
2.0 TSI (CCZA)		Gasolina	FWD	1984	147	200	11.10-05.12	■
2.0 TSI (DEDA)		Gasolina	FWD	1984	162	220	05.15-12.22	■
2.0 TDI (CFFE)		Diesel	FWD	1968	85	115	05.11-12.22	■
2.0 TDI (CUVA)		Diesel	FWD	1968	85	115	05.11-12.22	■
2.0 TDI (DFLD)		Diesel	FWD	1968	85	115	05.11-12.22	■
2.0 TDI (DLTC)		Diesel	FWD	1968	85	115	05.11-12.22	■
2.0 TDI (CFFB)		Diesel	FWD	1968	103	140	06.10-04.15	■
2.0 TDI 4Drive (CFFB)		Diesel	4WD	1968	103	140	05.11-04.15	■
2.0 TDI (CUVC)		Diesel	FWD	1968	110	150	05.15-12.22	■
2.0 TDI (DFLA)		Diesel	FWD	1968	110	150	05.15-12.22	■
2.0 TDI (DLTA)		Diesel	FWD	1968	110	150	05.15-12.22	■
2.0 TDI 4Drive (CUVC)		Diesel	4WD	1968	110	150	05.15-12.22	■
2.0 TDI 4Drive (DFLA)		Diesel	4WD	1968	110	150	05.15-12.22	■
2.0 TDI (CFGB)		Diesel	FWD	1968	125	170	06.10-02.13	■
2.0 TDI (CFGC)		Diesel	FWD	1968	130	177	11.12-12.22	■
2.0 TDI (DLUB)		Diesel	FWD	1968	130	177	11.12-12.22	■
2.0 TDI 4Drive (DLUB)		Diesel	4WD	1968	130	177	11.18-12.22	■
2.0 TDI (CUWA)		Diesel	FWD	1968	135	184	05.15-08.18	■
2.0 TDI (DFMA)		Diesel	FWD	1968	135	184	05.15-08.18	■
2.0 TDI 4Drive (DFMA)		Diesel	4WD	1968	135	184	05.16-08.18	■

LISTA DE APLICACIONES - BUYERS GUIDE

LEON III (5F1) 09.12-					Hatchback Van (Compact car-C Segment)			
1.0 TSI (CHZD)		Gasolina	FWD	999	85	115	05.15-08.20	■
1.2 TSI (CJZB)		Gasolina	FWD	1197	63	86	01.13-08.18	■
1.2 TSI (CYVA)		Gasolina	FWD	1197	63	86	01.13-08.18	■
1.2 TSI (CYVB)		Gasolina	FWD	1197	81	110	04.14-08.18	■
1.4 TSI (CMBA)		Gasolina	FWD	1395	90	122	09.12-10.16	■
1.4 TSI (CXSA)		Gasolina	FWD	1395	90	122	09.12-10.16	■
1.4 TSI (CHPA)		Gasolina	FWD	1395	103	140	09.12-10.16	■
1.4 TSI (CPTA)		Gasolina	FWD	1395	103	140	09.12-10.16	■
1.4 TSI (CZEA)		Gasolina	FWD	1395	110	150	05.14-08.20	■
1.8 TFSI (CJSA)		Gasolina	FWD	1798	132	180	02.13-08.18	■
1.6 TDI (CLHB)		Diesel	FWD	1598	66	90	11.12-10.16	■
1.6 TDI (CLHA)		Diesel	FWD	1598	77	105	09.12-10.16	■
1.6 TDI (CRKB)		Diesel	FWD	1598	81	110	09.13-10.16	■
1.6 TDI (CXXB)		Diesel	FWD	1598	81	110	09.13-10.16	■
1.6 TDI (DBKA)		Diesel	FWD	1598	81	110	09.13-10.16	■
1.6 TDI (DDYA)		Diesel	FWD	1598	85	115	11.16-08.20	■
2.0 TDI (CKFC)		Diesel	FWD	1968	110	150	10.12-08.18	■
2.0 TDI (CRMB)		Diesel	FWD	1968	110	150	10.12-08.18	■
2.0 TDI (CUNA)		Diesel	FWD	1968	135	184	02.13-08.18	■
2.0 TDI (CUPA)		Diesel	FWD	1968	135	184	02.13-08.18	■
LEON III (5F1) 09.12-					Hatchback (Compact car-C Segment)			
1.0 TSI (DKLB)		Gasolina	FWD	999	63	86	09.18-08.20	■
1.0 TSI (CHZD)		Gasolina	FWD	999	85	115	05.15-08.20	■
1.0 TSI (DKRF)		Gasolina	FWD	999	85	115	05.15-08.20	■
1.2 TSI (CJZB)		Gasolina	FWD	1197	63	86	12.12-08.18	■
1.2 TSI (CYVA)		Gasolina	FWD	1197	63	86	12.12-08.18	■
1.2 TSI (CJZA)		Gasolina	FWD	1197	77	105	01.13-08.20	■
1.2 TSI (CYVB)		Gasolina	FWD	1197	81	110	04.14-08.20	■
1.4 TSI (CMBA)		Gasolina	FWD	1395	90	122	11.12-10.16	■
1.4 TSI (CXSA)		Gasolina	FWD	1395	90	122	11.12-10.16	■
1.4 TSI (CZCA)		Gasolina	FWD	1395	92	125	05.14-08.20	■
1.4 TSI (CHPA)		Gasolina	FWD	1395	103	140	09.12-08.20	■
1.4 TSI (CPTA)		Gasolina	FWD	1395	103	140	09.12-08.20	■
1.4 TSI (CZDA)		Gasolina	FWD	1395	110	150	05.14-08.20	■
1.4 TSI (CZEA)		Gasolina	FWD	1395	110	150	05.14-08.20	■
1.5 TSI (DACA)		Gasolina	FWD	1495	96	130	09.18-08.20	■
1.5 TSI (DPBA)		Gasolina	FWD	1495	96	130	09.18-08.20	■
1.5 TSI (DADA)		Gasolina	FWD	1498	110	150	09.18-08.20	■
1.5 TSI (DPCA)		Gasolina	FWD	1498	110	150	09.18-08.20	■
1.8 TSI (CJSA)		Gasolina	FWD	1798	132	180	02.13-08.18	■
2.0 TSI (DKZA)		Gasolina	FWD	1984	140	190	09.18-08.20	■
1.4 TGI (CPWA)		Gasol./Gas (CNG)	FWD	1395	81	110	02.13-08.18	■
1.5 TGI (DHFA)		Gasol./Gas (CNG)	FWD	1498	96	131	10.18-08.20	■
1.6 TDI (CLHB)		Diesel	FWD	1598	66	90	11.12-08.18	■
1.6 TDI (CXXA)		Diesel	FWD	1598	66	90	11.12-08.18	■
1.6 TDI (DDYB)		Diesel	FWD	1598	66	90	11.12-08.18	■
1.6 TDI (CLHA)		Diesel	FWD	1598	77	105	09.12-08.20	■

LISTA DE APLICACIONES - BUYERS GUIDE

1.6 TDI (CRKB)		Diesel	FWD	1598	81	110	09.13-08.20	■
1.6 TDI (CXXB)		Diesel	FWD	1598	81	110	09.13-08.20	■
1.6 TDI (DBKA)		Diesel	FWD	1598	81	110	09.13-08.20	■
1.6 TDI (DDYA)		Diesel	FWD	1598	85	115	11.16-08.20	■
1.6 TDI (DGTE)		Diesel	FWD	1598	85	115	11.16-08.20	■
2.0 TDI (CRLD)		Diesel	FWD	1968	81	110	05.13-08.20	■
2.0 TDI (CRVA)		Diesel	FWD	1968	81	110	05.13-08.20	■
2.0 TDI (CRVC)		Diesel	FWD	1968	105	143	05.13-08.20	■
2.0 TDI (CKFC)		Diesel	FWD	1968	110	150	10.12-08.20	■
2.0 TDI (CRMB)		Diesel	FWD	1968	110	150	10.12-08.20	■
2.0 TDI (DFFA)		Diesel	FWD	1968	110	150	10.12-08.20	■
2.0 TDI (CUNA)		Diesel	FWD	1968	135	184	09.12-08.20	■
2.0 TDI (CUPA)		Diesel	FWD	1968	135	184	09.12-08.20	■
2.0 TDI (DJGA)		Diesel	FWD	1968	135	184	09.12-08.20	■
LEON III SC (5F5) 01.13-					Coupe (Compact car-C Segment)			
1.0 TSI (CHZD)		Gasolina	FWD	999	85	115	05.15-08.18	■
1.2 TSI (CJZB)		Gasolina	FWD	1197	63	86	01.13-08.18	■
1.2 TSI (CYVA)		Gasolina	FWD	1197	63	86	01.13-08.18	■
1.2 TSI (CJZA)		Gasolina	FWD	1197	77	105	02.13-04.14	■
1.2 TSI (CYVB)		Gasolina	FWD	1197	81	110	05.14-08.18	■
1.4 TSI (CMBA)		Gasolina	FWD	1395	90	122	02.13-06.15	■
1.4 TSI (CXSA)		Gasolina	FWD	1395	90	122	02.13-06.15	■
1.4 TSI (CZCA)		Gasolina	FWD	1395	92	125	05.14-08.18	■
1.4 TSI (CHPA)		Gasolina	FWD	1395	103	140	02.13-11.16	■
1.4 TSI (CPTA)		Gasolina	FWD	1395	103	140	02.13-11.16	■
1.4 TSI (CZEA)		Gasolina	FWD	1395	110	150	05.14-08.18	■
1.8 TSI (CJSA)		Gasolina	FWD	1798	132	180	02.13-08.18	■
1.6 TDI (CLHB)		Diesel	FWD	1598	66	90	02.13-08.18	■
1.6 TDI (CXXA)		Diesel	FWD	1598	66	90	02.13-08.18	■
1.6 TDI (DDYB)		Diesel	FWD	1598	66	90	02.13-08.18	■
1.6 TDI (CLHA)		Diesel	FWD	1598	77	105	02.13-08.18	■
1.6 TDI (CRKB)		Diesel	FWD	1598	81	110	09.13-11.16	■
1.6 TDI (CXXB)		Diesel	FWD	1598	81	110	09.13-11.16	■
1.6 TDI (DDYA)		Diesel	FWD	1598	85	115	11.16-08.18	■
2.0 TDI		Diesel	FWD	1968	81	110	02.13-	■
2.0 TDI (CRVA)		Diesel	FWD	1968	81	110	02.13-08.18	■
2.0 TDI (CRVC)		Diesel	FWD	1968	105	143	05.13-08.18	■
2.0 TDI (CKFC)		Diesel	FWD	1968	110	150	02.13-08.18	■
2.0 TDI (CRMB)		Diesel	FWD	1968	110	150	02.13-08.18	■
2.0 TDI (CUNA)		Diesel	FWD	1968	135	184	03.13-08.18	■
2.0 TDI (CUPA)		Diesel	FWD	1968	135	184	03.13-08.18	■
LEON III ST (5F8) 01.13-					Estate Van (Compact car-C Segment)			
1.0 TSI (CHZD)		Gasolina	FWD	999	85	115	05.15-08.20	■
1.2 TSI (CJZB)		Gasolina	FWD	1197	63	86	01.13-08.18	■
1.2 TSI (CYVA)		Gasolina	FWD	1197	63	86	01.13-08.18	■
1.2 TSI (CYVB)		Gasolina	FWD	1197	81	110	05.14-08.18	■
1.4 TSI (CZDA)		Gasolina	FWD	1395	110	150	05.14-08.20	■
1.4 TSI (CZEA)		Gasolina	FWD	1395	110	150	05.14-08.20	■
1.8 TFSI (CJSA)		Gasolina	FWD	1798	132	180	10.13-08.18	■
1.6 TDI (CRKB)		Diesel	FWD	1598	81	110	09.13-08.20	■

LISTA DE APLICACIONES - BUYERS GUIDE

1.6 TDI (CXXB)		Diesel	FWD	1598	81	110	09.13-08.20	■
1.6 TDI (DBKA)		Diesel	FWD	1598	81	110	09.13-08.20	■
1.6 TDI (DDYA)		Diesel	FWD	1598	85	115	11.16-08.20	■
2.0 TDI (CKFC)		Diesel	FWD	1968	110	150	04.13-08.18	■
2.0 TDI (CRBC)		Diesel	FWD	1968	110	150	04.13-08.18	■
2.0 TDI (CRLB)		Diesel	FWD	1968	110	150	04.13-08.18	■
2.0 TDI (CRMB)		Diesel	FWD	1968	110	150	04.13-08.18	■
2.0 TDI 4Drive (CRBC)		Diesel	4WD	1968	110	150	09.14-08.18	■
2.0 TDI 4Drive (CRLB)		Diesel	4WD	1968	110	150	09.14-08.18	■
2.0 TDI (CUNA)		Diesel	FWD	1968	135	184	08.13-08.18	■
2.0 TDI (CUPA)		Diesel	FWD	1968	135	184	08.13-08.18	■
2.0 TDI 4Drive (CUNA)		Diesel	4WD	1968	135	184	10.14-08.18	■
LEON III ST (5F8) 09.12-					Estate (Compact car-C Segment)			
1.0 TSI (DKLB)		Gasolina	FWD	999	63	86	09.18-08.20	■
1.0 TSI (CHZD)		Gasolina	FWD	999	85	115	05.15-08.20	■
1.0 TSI (DKRF)		Gasolina	FWD	999	85	115	05.15-08.20	■
1.2 TSI (CJZB)		Gasolina	FWD	1197	63	86	11.13-08.18	■
1.2 TSI (CYVA)		Gasolina	FWD	1197	63	86	11.13-08.18	■
1.2 TSI (CJZA)		Gasolina	FWD	1197	77	105	08.13-08.20	■
1.2 TSI (CYVB)		Gasolina	FWD	1197	81	110	05.14-08.20	■
1.4 TSI (CMBA)		Gasolina	FWD	1395	90	122	09.12-06.15	■
1.4 TSI (CXSA)		Gasolina	FWD	1395	90	122	09.12-06.15	■
1.4 TSI (CZCA)		Gasolina	FWD	1395	92	125	05.14-08.18	■
1.4 TSI (CHPA)		Gasolina	FWD	1395	103	140	10.13-08.20	■
1.4 TSI (CPTA)		Gasolina	FWD	1395	103	140	10.13-08.20	■
1.4 TSI (CZEA)		Gasolina	FWD	1395	110	150	05.14-08.20	■
1.5 TSI (DACA)		Gasolina	FWD	1495	96	130	09.18-08.20	■
1.5 TSI (DPBA)		Gasolina	FWD	1495	96	130	09.18-08.20	■
1.5 TSI (DADA)		Gasolina	FWD	1498	110	150	09.18-08.20	■
1.5 TSI (DPCA)		Gasolina	FWD	1498	110	150	09.18-08.20	■
1.8 TSI (CJSA)		Gasolina	FWD	1798	132	180	10.13-08.18	■
1.8 TSI 4Drive (CJSA)		Gasolina	4WD	1798	132	180	11.14-08.18	■
1.8 TSI 4Drive (CJSB)		Gasolina	4WD	1798	132	180	11.14-08.18	■
2.0 TSI (DKZA)		Gasolina	FWD	1984	140	190	07.18-08.20	■
2.0 TSI 4Drive (DKZA)		Gasolina	4WD	1984	140	190	09.18-08.20	■
2.0 Cupra (CJXE)		Gasolina	FWD	1984	195	265	10.13-08.20	■
2.0 Cupra (CJXA)		Gasolina	FWD	1984	206	280	10.13-08.20	■
2.0 Cupra (CJXH)		Gasolina	FWD	1984	213	290	10.15-08.20	■
2.0 Cupra (DNUC)		Gasolina	FWD	1984	213	290	10.15-08.20	■
1.4 TGI (CPWA)		Gasol./Gas (CNG)	FWD	1395	81	110	10.13-08.18	■
1.5 TGI (DHFA)		Gasol./Gas (CNG)	FWD	1498	96	131	10.18-08.20	■
1.6 TDI (CLHB)		Diesel	FWD	1598	66	90	11.13-08.18	■
1.6 TDI (CXXA)		Diesel	FWD	1598	66	90	11.13-08.18	■
1.6 TDI (DDYB)		Diesel	FWD	1598	66	90	11.13-08.18	■
1.6 TDI (CLHA)		Diesel	FWD	1598	77	105	10.13-08.20	■
1.6 TDI 4Drive (CLHA)		Diesel	4WD	1598	77	105	04.14-08.20	■
1.6 TDI (CRKB)		Diesel	FWD	1598	81	110	09.13-08.20	■
1.6 TDI (CXXB)		Diesel	FWD	1598	81	110	09.13-08.20	■
1.6 TDI (DBKA)		Diesel	FWD	1598	81	110	09.13-08.20	■

LISTA DE APLICACIONES - BUYERS GUIDE

1.6 TDI 4Drive (CXXB)		Diesel	4WD	1598	81	110	11.14-08.20	■
1.6 TDI (DDYA)		Diesel	FWD	1598	85	115	11.16-08.20	■
1.6 TDI (DGTE)		Diesel	FWD	1598	85	115	11.16-08.20	■
1.6 TDI 4Drive (DGTE)		Diesel	4WD	1598	85	115	07.18-08.20	■
2.0 TDI (CRVA)		Diesel	FWD	1968	81	110	02.13-12.16	■
2.0 TDI (CRVC)		Diesel	FWD	1968	105	143	10.13-08.18	■
2.0 TDI (CKFC)		Diesel	FWD	1968	110	150	10.13-08.20	■
2.0 TDI (CRBC)		Diesel	FWD	1968	110	150	10.13-08.20	■
2.0 TDI (CRLB)		Diesel	FWD	1968	110	150	10.13-08.20	■
2.0 TDI (CRMB)		Diesel	FWD	1968	110	150	10.13-08.20	■
2.0 TDI (DFFA)		Diesel	FWD	1968	110	150	10.13-08.20	■
2.0 TDI (DFGA)		Diesel	FWD	1968	110	150	10.13-08.20	■
2.0 TDI 4Drive (CRBC)		Diesel	4WD	1968	110	150	04.14-08.20	■
2.0 TDI 4Drive (CRLB)		Diesel	4WD	1968	110	150	04.14-08.20	■
2.0 TDI 4Drive (CRMB)		Diesel	4WD	1968	110	150	04.14-08.20	■
2.0 TDI 4Drive (DCYA)		Diesel	4WD	1968	110	150	04.14-08.20	■
2.0 TDI 4Drive (DFGA)		Diesel	4WD	1968	110	150	04.14-08.20	■
2.0 TDI (CUNA)		Diesel	FWD	1968	135	184	08.13-08.20	■
2.0 TDI (CUPA)		Diesel	FWD	1968	135	184	08.13-08.20	■
2.0 TDI (DJGA)		Diesel	FWD	1968	135	184	08.13-08.20	■
2.0 TDI 4Drive (CUNA)		Diesel	4WD	1968	135	184	11.14-08.18	■
2.0 TDI 4Drive (DJGA)		Diesel	4WD	1968	135	184	11.14-08.18	■
LEON IV (KL1, KLG) 11.19-						Hatchback (Compact car-C Segment)		
1.0 TSI (DLAA)		Gasolina	FWD	999	81	110	03.20-	■
1.5 TSI (DPBA)		Gasolina	FWD	1495	96	131	11.19-	■
1.5 TSI (DPCA)		Gasolina	FWD	1498	110	150	11.19-	■
1.5 TGI CNG (DHFA)		Gasol./Gas (CNG)	FWD	1498	96	131	08.20-	■
1.4 TSI e-Hybrid (DGEA)		Gasol./el éc.	FWD	1395	110	150	05.20-	■
1.4 TSI e-Hybrid		Gasol./el éc.	FWD	1395	150	204	05.20-	■
1.5 eTSI (DFYA)		Gasol./el éc.	FWD	1498	110	150	11.19-	■
2.0 TDI (DSUD)		Diesel	FWD	1968	85	116	11.19-	■
2.0 TDI (DSTB)		Diesel	FWD	1968	110	150	11.19-	■
LEON IV Sportstourer (KL8, KLD) 03.20-						Estate (Compact car-C Segment)		
1.0 TSI (DLAA)		Gasolina	FWD	999	81	110	03.20-	■
1.5 TSI (DPBA)		Gasolina	FWD	1495	96	131	03.20-	■
1.5 TSI (DPCA)		Gasolina	FWD	1498	110	150	03.20-	■
1.5 TGI		Gasol./Gas (CNG)	FWD	1498	96	131	05.21-	■
1.4 TSI e-Hybrid (DGEA)		Gasol./el éc.	FWD	1395	110	150	05.20-	■
1.4 TSI e-Hybrid		Gasol./el éc.	FWD	1395	150	204	05.20-	■
1.5 eTSI (DFYA)		Gasol./el éc.	FWD	1498	110	150	03.20-	■
2.0 TDI		Diesel	FWD	1968	85	116	11.20-	■
2.0 TDI (DSTB)		Diesel	FWD	1968	110	150	04.20-	■
SKODA								
OCTAVIA IV (NX3, NN3, PV3) 01.20-						Hatchback (Compact car-C Segment)		
1.5 TSI (DPCA)		Gasolina	FWD	1498	110	150	01.20-	■

LISTA DE APLICACIONES - BUYERS GUIDE

2.0 TDI (DSUD)		Diesel	FWD	1968	85	116	03.20-	■	
2.0 TDI (DSTB)		Diesel	FWD	1968	110	150	01.20-	■	
OCTAVIA IV Combi (NX5, PV5) 11.19-					Estate (Compact car-C Segment)				
1.5 TSI (DPCA)		Gasolina	FWD	1498	110	150	11.19-	■	
2.0 TSI 4x4		Gasolina	4WD	1984	140	190	09.20-	■	
2.0 TDI (DSUD)		Diesel	FWD	1968	85	116	11.19-	■	
2.0 TDI (DSTB)		Diesel	FWD	1968	110	150	11.19-	■	
OCTAVIA III (5E3, NL3, NR3) 11.12-					Hatchback (Compact car-C Segment)				
1.0 TSI (CHZD)		Gasolina	FWD	999	85	115	05.16-10.20	■	
1.0 TSI (DKRA)		Gasolina	FWD	999	85	115	05.16-10.20	■	
1.0 TSI (DKRF)		Gasolina	FWD	999	85	115	05.16-10.20	■	
1.2 TSI (CJZB)		Gasolina	FWD	1197	63	86	11.12-02.17	■	
1.2 TSI (CYVA)		Gasolina	FWD	1197	63	86	11.12-02.17	■	
1.2 TSI (CJZA)		Gasolina	FWD	1197	77	105	11.12-02.17	■	
1.2 TSI (CYVB)		Gasolina	FWD	1197	81	110	05.15-02.17	■	
1.4 TSI (CHPA)		Gasolina	FWD	1395	103	140	11.12-02.17	■	
1.4 TSI (CHPB)		Gasolina	FWD	1395	110	150	08.14-10.20	■	
1.4 TSI (CZDA)		Gasolina	FWD	1395	110	150	08.14-10.20	■	
1.5 TSI (DADA)		Gasolina	FWD	1498	110	150	02.17-10.20	■	
1.5 TSI (DPCA)		Gasolina	FWD	1498	110	150	02.17-10.20	■	
1.6 (CWVA)		Gasolina	FWD	1598	81	110	01.14-10.20	■	
1.8 TSI (CJSA)		Gasolina	FWD	1798	132	180	11.12-10.20	■	
1.8 TSI 4x4 (CJSB)		Gasolina	4WD	1798	132	180	05.14-10.20	■	
2.0 TSI (DKZA)		Gasolina	FWD	1984	140	190	02.17-10.20	■	
2.0 TSI 4x4 (DKZA)		Gasolina	4WD	1984	140	190	02.19-10.20	■	
2.0 TSI RS (CHHB)		Gasolina	FWD	1984	162	220	05.13-02.17	■	
2.0 TSI RS (CHHA)		Gasolina	FWD	1984	169	230	05.15-10.20	■	
2.0 TSI RS (DHGA)		Gasolina	FWD	1984	180	245	02.17-10.20	■	
2.0 TSI RS (DKTB)		Gasolina	FWD	1984	180	245	02.17-10.20	■	
2.0 TSI RS (DLBA)		Gasolina	FWD	1984	180	245	02.17-10.20	■	
1.4 TSI G-TEC (CPWA)		Gasol./Gas (CNG)	FWD	1395	81	110	11.13-02.17	■	
1.6 TDI (CLHB)		Diesel	FWD	1598	66	90	11.12-10.20	■	
1.6 TDI (CRKA)		Diesel	FWD	1598	66	90	11.12-10.20	■	
1.6 TDI (CXXA)		Diesel	FWD	1598	66	90	11.12-10.20	■	
1.6 TDI (DDYB)		Diesel	FWD	1598	66	90	11.12-10.20	■	
1.6 TDI (CLHA)		Diesel	FWD	1598	77	105	11.12-05.15	■	
1.6 TDI 4x4 (CLHA)		Diesel	4WD	1598	77	105	05.13-05.15	■	
1.6 TDI (CRKB)		Diesel	FWD	1598	81	110	05.13-02.17	■	
1.6 TDI (CXXB)		Diesel	FWD	1598	81	110	05.13-02.17	■	
1.6 TDI (DBKA)		Diesel	FWD	1598	81	110	05.13-02.17	■	
1.6 TDI 4x4 (CRKB)		Diesel	4WD	1598	81	110	05.15-02.17	■	
1.6 TDI 4x4 (CXXB)		Diesel	4WD	1598	81	110	05.15-02.17	■	
1.6 TDI 4x4 (DGTE)		Diesel	4WD	1598	85	115	02.17-10.20	■	
2.0 TDI (CKFB)		Diesel	FWD	1968	105	143	11.12-02.17	■	
2.0 TDI (CRVC)		Diesel	FWD	1968	105	143	11.12-02.17	■	
2.0 TDI (CKFC)		Diesel	FWD	1968	110	150	11.12-10.20	■	
2.0 TDI (CRMB)		Diesel	FWD	1968	110	150	11.12-10.20	■	
2.0 TDI (CYKA)		Diesel	FWD	1968	110	150	11.12-10.20	■	
2.0 TDI (DCYA)		Diesel	FWD	1968	110	150	11.12-10.20	■	

LISTA DE APLICACIONES - BUYERS GUIDE

2.0 TDI (DFFA)		Diesel	FWD	1968	110	150	11.12-10.20	■	
2.0 TDI 4x4 (CKFC)		Diesel	4WD	1968	110	150	05.13-10.20	■	
2.0 TDI 4x4 (CRMB)		Diesel	4WD	1968	110	150	05.13-10.20	■	
2.0 TDI 4x4 (DCYA)		Diesel	4WD	1968	110	150	05.13-10.20	■	
2.0 TDI 4x4 (DFFA)		Diesel	4WD	1968	110	150	05.13-10.20	■	
2.0 TDI / TDI RS 4x4 (CUNA)		Diesel	4WD	1968	135	184	05.13-10.20	■	
2.0 TDI / TDI RS 4x4 (CUPA)		Diesel	4WD	1968	135	184	05.13-10.20	■	
2.0 TDI / TDI RS 4x4 (DJGA)		Diesel	4WD	1968	135	184	05.13-10.20	■	
2.0 TDI RS (CUNA)		Diesel	FWD	1968	135	184	05.13-10.20	■	
2.0 TDI RS (CUPA)		Diesel	FWD	1968	135	184	05.13-10.20	■	
2.0 TDI RS (DJGA)		Diesel	FWD	1968	135	184	05.13-10.20	■	
OCTAVIA III Combi (5E5, 5E6) 11.12-							Estate (Compact car-C Segment)		
1.0 TSI (CHZD)		Gasolina	FWD	999	85	115	05.16-10.20	■	
1.0 TSI (DKRA)		Gasolina	FWD	999	85	115	05.16-10.20	■	
1.0 TSI (DKRF)		Gasolina	FWD	999	85	115	05.16-10.20	■	
1.2 TSI (CJZB)		Gasolina	FWD	1197	63	86	11.12-02.17	■	
1.2 TSI (CYVA)		Gasolina	FWD	1197	63	86	11.12-02.17	■	
1.2 TSI (CJZA)		Gasolina	FWD	1197	77	105	11.12-02.17	■	
1.2 TSI (CYVB)		Gasolina	FWD	1197	81	110	05.15-02.17	■	
1.4 TSI (CHPA)		Gasolina	FWD	1395	103	140	11.12-02.17	■	
1.4 TSI (CHPB)		Gasolina	FWD	1395	110	150	08.14-10.20	■	
1.4 TSI (CZDA)		Gasolina	FWD	1395	110	150	08.14-10.20	■	
1.5 TSI (DADA)		Gasolina	FWD	1498	110	150	02.17-10.20	■	
1.5 TSI (DPCA)		Gasolina	FWD	1498	110	150	02.17-10.20	■	
1.6 SRE (CWVA)		Gasolina	FWD	1598	81	110	01.14-02.17	■	
1.8 TSI (CJSA)		Gasolina	FWD	1798	132	180	11.12-10.20	■	
1.8 TSI (CJSB)		Gasolina	FWD	1798	132	180	11.12-10.20	■	
1.8 TSI 4x4 (CJSB)		Gasolina	4WD	1798	132	180	11.12-02.17	■	
2.0 TSI (DKZA)		Gasolina	FWD	1984	140	190	02.17-10.20	■	
2.0 TSI 4x4 (DKZA)		Gasolina	4WD	1984	140	190	02.19-10.20	■	
2.0 TSI RS (CHHB)		Gasolina	FWD	1984	162	220	11.12-02.17	■	
2.0 TSI RS (CHHA)		Gasolina	FWD	1984	169	230	05.15-10.20	■	
2.0 TSI RS (DHGA)		Gasolina	FWD	1984	180	245	02.17-10.20	■	
2.0 TSI RS (DKTB)		Gasolina	FWD	1984	180	245	02.17-10.20	■	
2.0 TSI RS (DLBA)		Gasolina	FWD	1984	180	245	02.17-10.20	■	
1.4 TSI G-TEC (CPWA)		Gasol./Gas (CNG)	FWD	1395	81	110	11.12-02.17	■	
1.5 TSI G-TEC (DHFA)		Gasol./Gas (CNG)	FWD	1498	96	130	01.19-10.20	■	
1.6 TDI (CLHB)		Diesel	FWD	1598	66	90	11.12-10.20	■	
1.6 TDI (CRKA)		Diesel	FWD	1598	66	90	11.12-10.20	■	
1.6 TDI (CXXA)		Diesel	FWD	1598	66	90	11.12-10.20	■	
1.6 TDI (DDYB)		Diesel	FWD	1598	66	90	11.12-10.20	■	
1.6 TDI (CLHA)		Diesel	FWD	1598	77	105	11.12-05.15	■	
1.6 TDI 4x4 (CLHA)		Diesel	4WD	1598	77	105	11.12-05.15	■	
1.6 TDI (CRKB)		Diesel	FWD	1598	81	110	05.13-02.17	■	
1.6 TDI (CXXB)		Diesel	FWD	1598	81	110	05.13-02.17	■	
1.6 TDI (DBKA)		Diesel	FWD	1598	81	110	05.13-02.17	■	
1.6 TDI 4x4 (CRKB)		Diesel	4WD	1598	81	110	05.15-02.17	■	
1.6 TDI 4x4 (CXXB)		Diesel	4WD	1598	81	110	05.15-02.17	■	
1.6 TDI 4x4 (DBKA)		Diesel	4WD	1598	81	110	05.15-02.17	■	

LISTA DE APLICACIONES - BUYERS GUIDE

1.6 TDI 4x4 (DGTE)		Diesel	4WD	1598	85	115	02.17-10.20	■	
2.0 TDI (CKFB)		Diesel	FWD	1968	105	143	11.12-02.17	■	
2.0 TDI (CRVC)		Diesel	FWD	1968	105	143	11.12-02.17	■	
2.0 TDI (CKFC)		Diesel	FWD	1968	110	150	11.12-10.20	■	
2.0 TDI (CRMB)		Diesel	FWD	1968	110	150	11.12-10.20	■	
2.0 TDI (CYKA)		Diesel	FWD	1968	110	150	11.12-10.20	■	
2.0 TDI (DCYA)		Diesel	FWD	1968	110	150	11.12-10.20	■	
2.0 TDI (DFFA)		Diesel	FWD	1968	110	150	11.12-10.20	■	
2.0 TDI 4x4 (CKFC)		Diesel	4WD	1968	110	150	11.12-10.20	■	
2.0 TDI 4x4 (CRMB)		Diesel	4WD	1968	110	150	11.12-10.20	■	
2.0 TDI 4x4 (DCYA)		Diesel	4WD	1968	110	150	11.12-10.20	■	
2.0 TDI 4x4 (DFFA)		Diesel	4WD	1968	110	150	11.12-10.20	■	
2.0 TDI / TDI RS 4x4 (CUNA)		Diesel	4WD	1968	135	184	05.13-10.20	■	
2.0 TDI / TDI RS 4x4 (CUPA)		Diesel	4WD	1968	135	184	05.13-10.20	■	
2.0 TDI / TDI RS 4x4 (DJGA)		Diesel	4WD	1968	135	184	05.13-10.20	■	
2.0 TDI RS (CUNA)		Diesel	FWD	1968	135	184	05.13-10.20	■	
2.0 TDI RS (CUPA)		Diesel	FWD	1968	135	184	05.13-10.20	■	
2.0 TDI RS (DJGA)		Diesel	FWD	1968	135	184	05.13-10.20	■	
VW									
BEETLE (5C7, 5C8) 12.11-						Convertible (Compact car-C Segment)			
1.2 TSI 16V (CYVD)		Gasolina	FWD	1197	77	105	12.14-07.19	■	
BEETLE / NOVO FUSCA (5C1, 5C2) 04.11-						Hatchback (Compact car-C Segment)			
1.2 TSI 16V (CYVD)		Gasolina	FWD	1197	77	105	12.14-07.19	■	
CADDY III (SAA, SAH) 05.15-						Box Body/MPV (LCVs-N1 Segment)			
1.0 TSI (CHZG)		Gasolina	FWD	999	75	102	11.15-09.20	■	
1.0 TSI (DKRE)		Gasolina	FWD	999	75	102	11.15-09.20	■	
1.2 TSI (CYVC)		Gasolina	FWD	1197	62	84	06.15-09.20	■	
1.4 TSI (CZCB)		Gasolina	FWD	1395	92	125	05.15-09.20	■	
1.4 TSI (DJKD)		Gasolina	FWD	1395	96	131	06.19-09.20	■	
1.6 SRE (CWVA)		Gasolina	FWD	1598	81	110	11.15-09.20	■	
1.4 TGI CNG (CPWA)		Gasol./Gas (CNG)	FWD	1395	81	110	06.15-09.20	■	
ABT e-Caddy (BOSCH SMG-180.1.3)		Eléctrico	FWD		83	113	04.20-12.20	■	
1.6 TDI (CAYE)		Diesel	FWD	1598	55	75	05.15-11.17	■	
1.6 TDI (CAYD)		Diesel	FWD	1598	75	102	05.15-09.20	■	
2.0 TDI (CUUF)		Diesel	FWD	1968	55	75	05.15-09.20	■	
2.0 TDI (DFSC)		Diesel	FWD	1968	55	75	05.15-09.20	■	
2.0 TDI (DFSF)		Diesel	FWD	1968	55	75	05.15-09.20	■	
2.0 TDI 4motion (DFSC)		Diesel	4WD	1968	55	75	11.15-07.19	■	
2.0 TDI (CUUD)		Diesel	FWD	1968	75	102	05.15-09.20	■	
2.0 TDI (DFSD)		Diesel	FWD	1968	75	102	05.15-09.20	■	
2.0 TDI		Diesel	FWD	1968	81	110	09.15-	■	
2.0 TDI 4motion (CFHF)		Diesel	4WD	1968	81	110	05.15-09.20	■	
2.0 TDI 4motion (CLCA)		Diesel	4WD	1968	81	110	05.15-09.20	■	
2.0 TDI 4motion (CUUE)		Diesel	4WD	1968	90	122	05.15-09.20	■	
2.0 TDI 4motion (DFSE)		Diesel	4WD	1968	90	122	05.15-09.20	■	
2.0 TDI (CFHC)		Diesel	FWD	1968	103	140	05.15-09.20	■	
2.0 TDI (CLCB)		Diesel	FWD	1968	103	140	05.15-09.20	■	
2.0 TDI 4motion (CFHC)		Diesel	4WD	1968	103	140	05.15-09.20	■	
2.0 TDI (CUUB)		Diesel	FWD	1968	110	150	05.15-09.20	■	

LISTA DE APLICACIONES - BUYERS GUIDE

2.0 TDI (DFSB)		Diesel	FWD	1968	110	150	05.15-09.20	■	
2.0 TDI 4motion (DFSB)		Diesel	4WD	1968	110	150	11.15-09.20	■	
CADDY III (SAB, SAJ) 05.15-					MPV (Mini MPV-M1 Segment)				
1.0 TSI (DKRD)		Gasolina	FWD	999	62	84	11.18-07.19	■	
1.0 TSI (CHZG)		Gasolina	FWD	999	75	102	11.15-09.20	■	
1.0 TSI (DKRE)		Gasolina	FWD	999	75	102	11.15-09.20	■	
1.2 TSI (CYVC)		Gasolina	FWD	1197	62	84	06.15-09.20	■	
1.4 TSI (CZCB)		Gasolina	FWD	1395	92	125	05.15-09.20	■	
1.4 TSI (DJKD)		Gasolina	FWD	1395	96	131	07.18-09.20	■	
1.6 SRE (CWVA)		Gasolina	FWD	1598	81	110	11.15-09.20	■	
1.4 TGI CNG (CPWA)		Gasol./Gas (CNG)	FWD	1395	81	110	06.15-09.20	■	
ABT e-Caddy (BOSCH SMG-180.1.3)		Eléctrico	FWD		83	113	04.20-12.20	■	
1.6 TDI (CAYE)		Diesel	FWD	1598	55	75	05.15-11.17	■	
1.6 TDI (CAYD)		Diesel	FWD	1598	75	102	05.15-09.20	■	
2.0 TDI (CUUF)		Diesel	FWD	1968	55	75	05.15-09.20	■	
2.0 TDI (DFSF)		Diesel	FWD	1968	55	75	05.15-09.20	■	
2.0 TDI (CUUD)		Diesel	FWD	1968	75	102	05.15-09.20	■	
2.0 TDI (DFSD)		Diesel	FWD	1968	75	102	05.15-09.20	■	
2.0 TDI		Diesel	FWD	1968	81	110	09.15-	■	
2.0 TDI 4motion (CFHF)		Diesel	4WD	1968	81	110	05.15-09.20	■	
2.0 TDI 4motion (CLCA)		Diesel	4WD	1968	81	110	05.15-09.20	■	
2.0 TDI 4motion (CUUE)		Diesel	4WD	1968	90	122	05.15-09.20	■	
2.0 TDI 4motion (DFSE)		Diesel	4WD	1968	90	122	05.15-09.20	■	
2.0 TDI (CFHC)		Diesel	FWD	1968	103	140	05.15-09.20	■	
2.0 TDI (CLCB)		Diesel	FWD	1968	103	140	05.15-09.20	■	
2.0 TDI 4motion (CFHC)		Diesel	4WD	1968	103	140	05.15-09.20	■	
2.0 TDI (CUUB)		Diesel	FWD	1968	110	150	05.15-09.20	■	
2.0 TDI (DFSB)		Diesel	FWD	1968	110	150	05.15-09.20	■	
2.0 TDI 4motion (DFSB)		Diesel	4WD	1968	110	150	11.15-09.20	■	
CADDY III ALLTRACK (SAA) 05.15-					Box Body/MPV (LCVs-N1 Segment)				
1.0 TSI (CHZG)		Gasolina	FWD	999	75	102	11.15-09.20	■	
1.2 TSI (CYVC)		Gasolina	FWD	1197	62	84	06.15-09.20	■	
1.4 TSI (CZCB)		Gasolina	FWD	1395	92	125	05.15-09.20	■	
1.4 TSI (DJKD)		Gasolina	FWD	1395	96	131	06.19-09.20	■	
1.6 SRE		Gasolina	FWD	1598	81	110	11.15-09.20	■	
1.4 TGI CNG (CPWA)		Gasol./Gas (CNG)	FWD	1395	81	110	06.15-09.20	■	
1.6 TDI (CAYE)		Diesel	FWD	1598	55	75	05.15-11.17	■	
1.6 TDI (CAYD)		Diesel	FWD	1598	75	102	05.15-09.20	■	
2.0 TDI (CUUF)		Diesel	FWD	1968	55	75	05.15-09.20	■	
2.0 TDI (DFSC)		Diesel	FWD	1968	55	75	05.15-09.20	■	
2.0 TDI (DFSF)		Diesel	FWD	1968	55	75	05.15-09.20	■	
2.0 TDI (CUUD)		Diesel	FWD	1968	75	102	05.15-09.20	■	
2.0 TDI (DFSD)		Diesel	FWD	1968	75	102	05.15-09.20	■	
2.0 TDI		Diesel	FWD	1968	81	110	09.15-09.20	■	
2.0 TDI 4motion (CFHF)		Diesel	4WD	1968	81	110	05.15-09.20	■	
2.0 TDI 4motion (CUUE)		Diesel	4WD	1968	90	122	05.15-09.20	■	
2.0 TDI 4motion (DFSE)		Diesel	4WD	1968	90	122	05.15-09.20	■	
2.0 TDI (CFHC)		Diesel	FWD	1968	103	140	05.15-09.20	■	
2.0 TDI (CLCB)		Diesel	FWD	1968	103	140	05.15-09.20	■	

LISTA DE APLICACIONES - BUYERS GUIDE

2.0 TDI 4motion (CFHC)		Diesel	4WD	1968	103	140	05.15-09.20	■	
2.0 TDI (CUUB)		Diesel	FWD	1968	110	150	05.15-09.20	■	
2.0 TDI (DFSB)		Diesel	FWD	1968	110	150	05.15-09.20	■	
2.0 TDI 4motion (DFSB)		Diesel	4WD	1968	110	150	11.15-09.20	■	
CADDY III ALLTRACK (SAB) 05.15-					MPV (Mini MPV-M1 Segment)				
1.0 TSI (DKRD)		Gasolina	FWD	999	62	84	11.18-07.19	■	
1.0 TSI (CHZG)		Gasolina	FWD	999	75	102	11.15-09.20	■	
1.2 TSI (CYVC)		Gasolina	FWD	1197	62	84	06.15-09.20	■	
1.4 TSI (CZCB)		Gasolina	FWD	1395	92	125	05.15-09.20	■	
1.4 TSI (DJKD)		Gasolina	FWD	1395	96	131	07.18-09.20	■	
1.6 SRE		Gasolina	FWD	1598	81	110	11.15-09.20	■	
1.4 TGI CNG (CPWA)		Gasol./Gas (CNG)	FWD	1395	81	110	06.15-09.20	■	
1.6 TDI (CAYE)		Diesel	FWD	1598	55	75	05.15-11.17	■	
1.6 TDI (CAYD)		Diesel	FWD	1598	75	102	05.15-09.20	■	
2.0 TDI (CUUF)		Diesel	FWD	1968	55	75	05.15-09.20	■	
2.0 TDI (DFSF)		Diesel	FWD	1968	55	75	05.15-09.20	■	
2.0 TDI (CUUD)		Diesel	FWD	1968	75	102	05.15-09.20	■	
2.0 TDI (DFSD)		Diesel	FWD	1968	75	102	05.15-09.20	■	
2.0 TDI (CLCA)		Diesel	FWD	1968	81	110	05.15-	■	
2.0 TDI 4motion (CFHF)		Diesel	4WD	1968	81	110	05.15-09.20	■	
2.0 TDI 4motion (CUUE)		Diesel	4WD	1968	90	122	05.15-09.20	■	
2.0 TDI 4motion (DFSE)		Diesel	4WD	1968	90	122	05.15-09.20	■	
2.0 TDI (CFHC)		Diesel	FWD	1968	103	140	05.15-09.20	■	
2.0 TDI 4motion (CFHC)		Diesel	4WD	1968	103	140	05.15-09.20	■	
2.0 TDI (CUUB)		Diesel	FWD	1968	110	150	05.15-09.20	■	
2.0 TDI (DFSB)		Diesel	FWD	1968	110	150	05.15-09.20	■	
2.0 TDI 4motion (DFSB)		Diesel	4WD	1968	110	150	11.15-09.20	■	
CADDY IV (SBA, SBH) 09.20-					Box Body/MPV (LCVs-N1 Segment)				
2.0 TDI (DTRF)		Diesel	FWD	1968	55	75	09.20-	■	
2.0 TDI (DTRE)		Diesel	FWD	1968	75	102	09.20-	■	
2.0 TDI (DTRC)		Diesel	FWD	1968	90	122	09.20-	■	
CADDY IV (SBB, SBJ) 09.20-					MPV (Mini MPV-M1 Segment)				
2.0 TDI (DTRE)		Diesel	FWD	1968	75	102	09.20-	■	
2.0 TDI (DTRC)		Diesel	FWD	1968	90	122	09.20-	■	
GOLF VII / JETTA VII (5G1, BQ1) 08.12-					Hatchback Van (Compact car-C Segment)				
1.2 TSI (CJZB)		Gasolina	FWD	1197	63	86	08.12-03.17	■	
1.2 TSI (CJZA)		Gasolina	FWD	1197	77	105	11.12-03.17	■	
1.4 TSI (CXSA)		Gasolina	FWD	1395	90	122	05.13-03.17	■	
1.4 TSI (CHPA)		Gasolina	FWD	1395	103	140	08.12-03.17	■	
2.0 GTI (CHHB)		Gasolina	FWD	1984	162	220	04.13-03.17	■	
2.0 GTI (CHHA)		Gasolina	FWD	1984	169	230	04.15-03.17	■	
1.6 TDI (CRKA)		Diesel	FWD	1598	66	90	04.13-03.17	■	
1.6 TDI (CLHA)		Diesel	FWD	1598	77	105	08.12-03.17	■	
1.6 TDI (CRKB)		Diesel	FWD	1598	81	110	11.13-03.17	■	
1.6 TDI (CXXB)		Diesel	FWD	1598	81	110	11.13-03.17	■	
2.0 TDI		Diesel	FWD	1968	110	150	05.13-05.14	■	
2.0 TDI 4motion (CRBC)		Diesel	4WD	1968	110	150	05.13-05.14	■	
2.0 GTD (CUNA)		Diesel	FWD	1968	135	184	04.13-03.17	■	

LISTA DE APLICACIONES - BUYERS GUIDE

GOLF VII / JETTA VII (5G1, BQ1, BE1, BE2) 08.12-					Hatchback (Compact car-C Segment)			
1.2 TSI (CJZB)		Gasolina	FWD	1197	63	86	08.12-03.17	■
1.2 TSI (CYVA)		Gasolina	FWD	1197	63	86	08.12-03.17	■
1.2 TSI (CJZA)		Gasolina	FWD	1197	77	105	11.12-08.20	■
1.2 TSI (CYVB)		Gasolina	FWD	1197	81	110	04.14-03.17	■
1.4 TSI (CMBA)		Gasolina	FWD	1395	90	122	11.12-03.17	■
1.4 TSI (CXSA)		Gasolina	FWD	1395	90	122	11.12-03.17	■
1.4 TSI (CZCA)		Gasolina	FWD	1395	92	125	05.14-08.20	■
1.4 TSI (CHPA)		Gasolina	FWD	1395	103	140	08.12-08.20	■
1.4 TSI (CPTA)		Gasolina	FWD	1395	103	140	08.12-08.20	■
1.4 TSI (CHPB)		Gasolina	FWD	1395	110	150	05.14-03.21	■
1.4 TSI (CZDA)		Gasolina	FWD	1395	110	150	05.14-03.21	■
1.4 TSI (CZEA)		Gasolina	FWD	1395	110	150	05.14-03.21	■
1.4 TSI (DGXA)		Gasolina	FWD	1395	110	150	05.14-03.21	■
1.6 (CWVA)		Gasolina	FWD	1598	81	110	05.14-07.17	■
2.0 GTI (CNTA)		Gasolina	FWD	1984	155	210	11.13-07.17	■
2.0 GTI (CXCA)		Gasolina	FWD	1984	155	210	11.13-07.17	■
2.0 GTI (CHHB)		Gasolina	FWD	1984	162	220	04.13-08.20	■
2.0 GTI (CNTC)		Gasolina	FWD	1984	162	220	04.13-08.20	■
2.0 GTI (CXCB)		Gasolina	FWD	1984	162	220	04.13-08.20	■
2.0 GTI (CXDA)		Gasolina	FWD	1984	162	220	04.13-08.20	■
2.0 GTI (CHHA)		Gasolina	FWD	1984	169	230	04.13-08.20	■
2.0 GTI (CXDB)		Gasolina	FWD	1984	169	230	04.13-08.20	■
2.0 GTI Clubsport (CJXE)		Gasolina	FWD	1984	195	265	02.16-03.17	■
2.0 R 4motion (CJXB)		Gasolina	4WD	1984	206	280	11.13-03.17	■
2.0 R		Gasolina	FWD	1984	213	290	11.13-	■
2.0 R 4motion (CYFB)		Gasolina	4WD	1984	215	292	11.14-07.19	■
2.0 R 4motion (DJJA)		Gasolina	4WD	1984	215	292	11.14-07.19	■
2.0 R 4motion (DLRA)		Gasolina	4WD	1984	215	292	11.14-07.19	■
2.0 R 4motion (CJXC)		Gasolina	4WD	1984	221	300	11.13-08.20	■
2.0 R 4motion (DNUE)		Gasolina	4WD	1984	221	300	11.13-08.20	■
2.0 GTI Clubsport S (CJXG)		Gasolina	FWD	1984	228	310	09.16-03.17	■
2.0 R 360S 4motion (CJXC)		Gasolina	4WD	1984	265	360	09.16-03.17	■
1.4 TGI CNG (CPWA)		Gasol./Gas (CNG)	FWD	1395	81	110	06.13-07.18	■
1.4 TGI CNG (CZBA)		Gasol./Gas (CNG)	FWD	1395	81	110	06.13-07.18	■
1.4 TSI MultiFuel (CPVA)		Gasol./Etanol	FWD	1395	90	122	11.12-03.17	■
1.4 TSI MultiFuel (CPVB)		Gasol./Etanol	FWD	1395	92	125	12.13-07.18	■
1.4 GTE Hybrid (CUKB)		Gasol./eléc.	FWD	1395	150	204	05.14-08.20	■
e-Golf (EAGA)		Eléctrico	FWD		85	115	03.14-02.17	■
1.6 TDI (CLHB)		Diesel	FWD	1598	66	90	04.13-07.18	■
1.6 TDI (CRKA)		Diesel	FWD	1598	66	90	04.13-07.18	■
1.6 TDI (CXXA)		Diesel	FWD	1598	66	90	04.13-07.18	■
1.6 TDI (DDYB)		Diesel	FWD	1598	66	90	04.13-07.18	■
1.6 TDI (CLHA)		Diesel	FWD	1598	77	105	08.12-03.17	■
1.6 TDI 4motion (CLHA)		Diesel	4WD	1598	77	105	11.12-03.17	■
1.6 TDI (CRKB)		Diesel	FWD	1598	81	110	01.13-03.17	■
1.6 TDI (CXXB)		Diesel	FWD	1598	81	110	01.13-03.17	■

LISTA DE APLICACIONES - BUYERS GUIDE

1.6 TDI (DBKA)		Diesel	FWD	1598	81	110	01.13-03.17	■	
1.6 TDI 4motion (CRKB)		Diesel	4WD	1598	81	110	01.13-03.17	■	
1.6 TDI 4motion (CXXB)		Diesel	4WD	1598	81	110	01.13-03.17	■	
2.0 TDI (CRLD)		Diesel	FWD	1968	81	110	11.12-08.20	■	
2.0 TDI (CRVA)		Diesel	FWD	1968	81	110	11.12-08.20	■	
2.0 TDI (CYKB)		Diesel	FWD	1968	81	110	11.12-08.20	■	
2.0 TDI (DCYB)		Diesel	FWD	1968	81	110	11.12-08.20	■	
2.0 TDI (DEJB)		Diesel	FWD	1968	81	110	11.12-08.20	■	
2.0 TDI (DFGB)		Diesel	FWD	1968	81	110	11.12-08.20	■	
2.0 TDI (CRBB)		Diesel	FWD	1968	105	143	08.12-08.20	■	
2.0 TDI (CRVC)		Diesel	FWD	1968	105	143	08.12-08.20	■	
2.0 TDI (CRBC)		Diesel	FWD	1968	110	150	08.12-08.20	■	
2.0 TDI (CRLB)		Diesel	FWD	1968	110	150	08.12-08.20	■	
2.0 TDI (CRMB)		Diesel	FWD	1968	110	150	08.12-08.20	■	
2.0 TDI (CRUA)		Diesel	FWD	1968	110	150	08.12-08.20	■	
2.0 TDI (DCYA)		Diesel	FWD	1968	110	150	08.12-08.20	■	
2.0 TDI (DEJA)		Diesel	FWD	1968	110	150	08.12-08.20	■	
2.0 TDI (DFGA)		Diesel	FWD	1968	110	150	08.12-08.20	■	
2.0 TDI 4motion (CKFC)		Diesel	4WD	1968	110	150	11.12-08.20	■	
2.0 TDI 4motion (CRBC)		Diesel	4WD	1968	110	150	11.12-08.20	■	
2.0 TDI 4motion (CRLB)		Diesel	4WD	1968	110	150	11.12-08.20	■	
2.0 TDI 4motion (CRMB)		Diesel	4WD	1968	110	150	11.12-08.20	■	
2.0 TDI 4motion (DCYA)		Diesel	4WD	1968	110	150	11.12-08.20	■	
2.0 GTD		Diesel	FWD	1968	130	177	11.16-	■	
2.0 GTD (CUNA)		Diesel	FWD	1968	135	184	04.13-08.20	■	
2.0 GTD (DGCA)		Diesel	FWD	1968	135	184	04.13-08.20	■	
2.0 GTD (DJGA)		Diesel	FWD	1968	135	184	04.13-08.20	■	
GOLF VII ALLTRACK Variant (BA5, BV5) 12.14-							Estate (Compact car-C Segment)		
1.8 TSI 4motion (CJSB)		Gasolina	4WD	1798	132	180	12.14-08.20	■	
1.6 TDI 4motion (CRKB)		Diesel	4WD	1598	81	110	12.14-03.17	■	
1.6 TDI 4motion (CXXB)		Diesel	4WD	1598	81	110	12.14-03.17	■	
2.0 TDI 4motion (CRBC)		Diesel	4WD	1968	110	150	12.14-08.20	■	
2.0 TDI 4motion (CRLB)		Diesel	4WD	1968	110	150	12.14-08.20	■	
2.0 TDI 4motion (DCYA)		Diesel	4WD	1968	110	150	12.14-08.20	■	
2.0 TDI 4motion (CUNA)		Diesel	4WD	1968	135	184	12.14-08.20	■	
2.0 TDI 4motion (DGCA)		Diesel	4WD	1968	135	184	12.14-08.20	■	
2.0 TDI 4motion (DJGA)		Diesel	4WD	1968	135	184	12.14-08.20	■	
GOLF VII SPORTSVAN (AM1, AN1) 02.14-							Hatchback (Compact car-C Segment)		
1.2 TSI (CYVA)		Gasolina	FWD	1197	63	86	05.14-11.17	■	
1.2 TSI (CYVB)		Gasolina	FWD	1197	81	110	04.14-11.17	■	
1.4 TSI (CZCA)		Gasolina	FWD	1395	92	125	04.14-08.20	■	
1.4 TSI (CZDA)		Gasolina	FWD	1395	110	150	02.14-07.18	■	
1.6 (CWVA)		Gasolina	FWD	1598	81	110	05.14-11.16	■	
1.4 TSI MultiFuel (CPVB)		Gasol./Etanol	FWD	1395	92	125	04.14-11.17	■	
1.6 TDI (CRKA)		Diesel	FWD	1598	66	90	02.14-07.18	■	
1.6 TDI (CXXA)		Diesel	FWD	1598	66	90	02.14-07.18	■	
1.6 TDI (DDYB)		Diesel	FWD	1598	66	90	02.14-07.18	■	
1.6 TDI (CRKB)		Diesel	FWD	1598	81	110	02.14-11.16	■	
1.6 TDI (CXXB)		Diesel	FWD	1598	81	110	02.14-11.16	■	
1.6 TDI (DBKA)		Diesel	FWD	1598	81	110	02.14-11.16	■	

LISTA DE APLICACIONES - BUYERS GUIDE

2.0 TDI (CRLD)		Diesel	FWD	1968	81	110	05.14-11.17	■	
2.0 TDI (CRVA)		Diesel	FWD	1968	81	110	05.14-11.17	■	
2.0 TDI (DCYB)		Diesel	FWD	1968	81	110	05.14-11.17	■	
2.0 TDI (CRLB)		Diesel	FWD	1968	110	150	02.14-08.20	■	
2.0 TDI (DCYA)		Diesel	FWD	1968	110	150	02.14-08.20	■	
2.0 TDI (DFGA)		Diesel	FWD	1968	110	150	02.14-08.20	■	
GOLF VII VAN Variant / JETTA VII (BA5) 04.13-03.17							Estate Van (Compact car-C Segment)		
1.2 TSI (CJZB)		Gasolina	FWD	1197	63	86	05.13-03.17	■	
1.2 TSI (CYVA)		Gasolina	FWD	1197	63	86	05.13-03.17	■	
1.2 TSI (CJZA)		Gasolina	FWD	1197	77	105	04.13-03.17	■	
1.4 TSI (CXSA)		Gasolina	FWD	1395	90	122	05.13-03.17	■	
1.4 TSI (CHPA)		Gasolina	FWD	1395	103	140	05.13-03.17	■	
1.6 TDI (CLHB)		Diesel	FWD	1598	66	90	05.13-03.17	■	
1.6 TDI (CRKA)		Diesel	FWD	1598	66	90	05.13-03.17	■	
1.6 TDI (CXXA)		Diesel	FWD	1598	66	90	05.13-03.17	■	
1.6 TDI (CLHA)		Diesel	FWD	1598	77	105	05.13-03.17	■	
1.6 TDI 4motion (CLHA)		Diesel	4WD	1598	77	105	05.13-03.17	■	
1.6 TDI (CRKB)		Diesel	FWD	1598	81	110	05.13-03.17	■	
2.0 TDI (CRBC)		Diesel	FWD	1968	110	150	04.13-03.17	■	
2.0 TDI (CRLB)		Diesel	FWD	1968	110	150	04.13-03.17	■	
2.0 TDI 4motion (CRBC)		Diesel	4WD	1968	110	150	04.13-03.17	■	
2.0 TDI 4motion (CRLB)		Diesel	4WD	1968	110	150	04.13-03.17	■	
GOLF VII Variant / JETTA VII (BA5, BV5) 04.13-							Estate (Compact car-C Segment)		
1.2 TSI (CJZB)		Gasolina	FWD	1197	63	86	05.13-03.17	■	
1.2 TSI (CYVA)		Gasolina	FWD	1197	63	86	05.13-03.17	■	
1.2 TSI (CJZA)		Gasolina	FWD	1197	77	105	04.13-08.20	■	
1.2 TSI MultiFuel		Gasolina	FWD	1197	77	105	04.13-	■	
1.2 TSI (CYVB)		Gasolina	FWD	1197	81	110	04.14-03.17	■	
1.4 TSI BiFuel		Gasolina	FWD	1395	81	110	09.13-	■	
1.4 TSI (CXSA)		Gasolina	FWD	1395	90	122	05.13-03.17	■	
1.4 TSI (CZCA)		Gasolina	FWD	1395	92	125	05.14-08.20	■	
1.4 TSI (CZDD)		Gasolina	FWD	1395	92	125	05.14-08.20	■	
1.4 TSI (CHPA)		Gasolina	FWD	1395	103	140	05.13-08.20	■	
1.4 TSI (CHPB)		Gasolina	FWD	1395	110	150	05.14-03.21	■	
1.4 TSI (CZDA)		Gasolina	FWD	1395	110	150	05.14-03.21	■	
1.4 TSI (DGXA)		Gasolina	FWD	1395	110	150	05.14-03.21	■	
1.6 (CWVA)		Gasolina	FWD	1598	81	110	05.14-07.17	■	
2.0 R 4motion (CJXB)		Gasolina	4WD	1984	206	280	03.15-03.17	■	
2.0 R 4motion (CJXC)		Gasolina	4WD	1984	221	300	03.15-08.20	■	
2.0 R 4motion (DNUE)		Gasolina	4WD	1984	221	300	03.15-08.20	■	
2.0 R 360S 4motion (CJXC)		Gasolina	4WD	1984	265	360	09.16-03.17	■	
1.4 TGI CNG (CPWA)		Gasol./Gas (CNG)	FWD	1395	81	110	09.13-07.18	■	
1.4 TSI MultiFuel (CPVA)		Gasol./Etanol	FWD	1395	90	122	04.13-03.17	■	
1.4 TSI MultiFuel (CPVB)		Gasol./Etanol	FWD	1395	92	125	05.14-03.17	■	
1.6 TDI (CLHB)		Diesel	FWD	1598	66	90	05.13-07.18	■	
1.6 TDI (CRKA)		Diesel	FWD	1598	66	90	05.13-07.18	■	
1.6 TDI (CXXA)		Diesel	FWD	1598	66	90	05.13-07.18	■	
1.6 TDI (DDYB)		Diesel	FWD	1598	66	90	05.13-07.18	■	
1.6 TDI (CLHA)		Diesel	FWD	1598	77	105	05.13-03.17	■	

LISTA DE APLICACIONES - BUYERS GUIDE

1.6 TDI 4motion (CLHA)		Diesel	4WD	1598	77	105	05.13-03.17	■
1.6 TDI (CRKB)		Diesel	FWD	1598	81	110	05.13-03.17	■
1.6 TDI (CXXB)		Diesel	FWD	1598	81	110	05.13-03.17	■
1.6 TDI (DBKA)		Diesel	FWD	1598	81	110	05.13-03.17	■
1.6 TDI 4motion (CRKB)		Diesel	4WD	1598	81	110	05.13-03.17	■
1.6 TDI 4motion (CXXB)		Diesel	4WD	1598	81	110	05.13-03.17	■
2.0 TDI (CRLD)		Diesel	FWD	1968	81	110	05.13-08.20	■
2.0 TDI (CRVA)		Diesel	FWD	1968	81	110	05.13-08.20	■
2.0 TDI (CYKB)		Diesel	FWD	1968	81	110	05.13-08.20	■
2.0 TDI (DCYB)		Diesel	FWD	1968	81	110	05.13-08.20	■
2.0 TDI (DEJB)		Diesel	FWD	1968	81	110	05.13-08.20	■
2.0 TDI (DFGB)		Diesel	FWD	1968	81	110	05.13-08.20	■
2.0 TDI (CRBC)		Diesel	FWD	1968	110	150	04.13-08.20	■
2.0 TDI (CRLB)		Diesel	FWD	1968	110	150	04.13-08.20	■
2.0 TDI (CRUA)		Diesel	FWD	1968	110	150	04.13-08.20	■
2.0 TDI (DCYA)		Diesel	FWD	1968	110	150	04.13-08.20	■
2.0 TDI (DEJA)		Diesel	FWD	1968	110	150	04.13-08.20	■
2.0 TDI (DFGA)		Diesel	FWD	1968	110	150	04.13-08.20	■
2.0 TDI 4motion (CRBC)		Diesel	4WD	1968	110	150	04.13-08.20	■
2.0 TDI 4motion (CRLB)		Diesel	4WD	1968	110	150	04.13-08.20	■
2.0 TDI 4motion (DCYA)		Diesel	4WD	1968	110	150	04.13-08.20	■
2.0 GTD		Diesel	FWD	1968	130	177	11.16-	■
2.0 GTD (CUNA)		Diesel	FWD	1968	135	184	01.15-07.19	■
2.0 GTD (DGCA)		Diesel	FWD	1968	135	184	01.15-07.19	■
2.0 GTD (DJGA)		Diesel	FWD	1968	135	184	01.15-07.19	■
PASSAT B7 (A32, A33) 01.11-12.20						Saloon (Large family car-D Segment)		
2.5 (CBTA)		Gasolina	FWD	2480	125	170	01.11-12.20	■
2.5 (CBUA)		Gasolina	FWD	2480	125	170	01.11-12.20	■
2.5 (CCCA)		Gasolina	FWD	2480	125	170	01.11-12.20	■
2.0 TDI (CVCA,DEKA)		Diesel	FWD	1968	110	150	06.14-12.15	■
PASSAT B8 (3G2, CB2) 08.14-						Saloon (Large family car-D Segment)		
1.4 TSI (CZCA)		Gasolina	FWD	1395	92	125	11.14-11.18	■
1.4 TSI (CZDA)		Gasolina	FWD	1395	110	150	11.14-03.24	■
1.4 TSI (CZEA)		Gasolina	FWD	1395	110	150	11.14-03.24	■
1.4 TSI 4motion (CZEA)		Gasolina	4WD	1395	110	150	02.15-11.18	■
1.8 TSI (CJSA)		Gasolina	FWD	1798	132	180	02.15-07.19	■
1.8 TSI (CJSC)		Gasolina	FWD	1798	132	180	02.15-07.19	■
2.0 TSI (CHHB)		Gasolina	FWD	1984	162	220	02.15-03.24	■
2.0 TSI (CXDA)		Gasolina	FWD	1984	162	220	02.15-03.24	■
2.0 TSI 4motion (CJXA)		Gasolina	4WD	1984	206	280	05.15-03.24	■
1.6 TDI (DCXA)		Diesel	FWD	1598	88	120	08.14-11.20	■
1.6 TDI (DCZA)		Diesel	FWD	1598	88	120	08.14-11.20	■
2.0 TDI (CRLB)		Diesel	FWD	1968	110	150	11.14-03.24	■
2.0 TDI (DBGA)		Diesel	FWD	1968	110	150	11.14-03.24	■
2.0 TDI (DFGA)		Diesel	FWD	1968	110	150	11.14-03.24	■
2.0 TDI (DSRA)		Diesel	FWD	1968	110	150	11.14-03.24	■
2.0 TDI (DSRB)		Diesel	FWD	1968	110	150	11.14-03.24	■
2.0 TDI 4motion (CRLB)		Diesel	4WD	1968	110	150	08.14-03.24	■
2.0 TDI 4motion (DFEA)		Diesel	4WD	1968	110	150	08.14-03.24	■
2.0 TDI 4motion (DFGA)		Diesel	4WD	1968	110	150	08.14-03.24	■

LISTA DE APLICACIONES - BUYERS GUIDE

2.0 TDI (CUPA)		Diesel	FWD	1968	135	184	07.15-05.16	■	
2.0 TDI (DDAA)		Diesel	FWD	1968	140	190	11.14-03.24	■	
2.0 TDI (DFCA)		Diesel	FWD	1968	140	190	11.14-03.24	■	
2.0 TDI (DFHA)		Diesel	FWD	1968	140	190	11.14-03.24	■	
2.0 TDI 4motion (DDAA)		Diesel	4WD	1968	140	190	11.14-03.24	■	
2.0 TDI 4motion (DFCA)		Diesel	4WD	1968	140	190	11.14-03.24	■	
2.0 TDI 4motion (DFHA)		Diesel	4WD	1968	140	190	11.14-03.24	■	
2.0 TDI 4motion (CUAA)		Diesel	4WD	1968	176	240	08.14-11.20	■	
PASSAT B8 ALLTRACK Variant (3G5, CB5) 05.15-					Estate (Large family car-D Segment)				
2.0 TSI 4motion (CHHB)		Gasolina	4WD	1984	162	220	07.15-03.24	■	
2.0 TDI 4motion (CRLB)		Diesel	4WD	1968	110	150	05.15-11.17	■	
2.0 TDI 4motion (DFEA)		Diesel	4WD	1968	110	150	05.15-11.17	■	
2.0 TDI 4motion (CUPA)		Diesel	4WD	1968	135	184	07.15-05.16	■	
2.0 TDI 4motion (DDAA)		Diesel	4WD	1968	140	190	05.15-03.24	■	
2.0 TDI 4motion (DFCA)		Diesel	4WD	1968	140	190	05.15-03.24	■	
2.0 TDI 4motion (DFHA)		Diesel	4WD	1968	140	190	05.15-03.24	■	
2.0 TDI 4motion (CUAA)		Diesel	4WD	1968	176	240	05.15-11.20	■	
PASSAT B8 Variant (3G5, CB5) 08.14-					Estate (Large family car-D Segment)				
1.4 TSI (CZCA)		Gasolina	FWD	1395	92	125	11.14-11.18	■	
1.4 TSI (CZDA)		Gasolina	FWD	1395	110	150	11.14-03.24	■	
1.4 TSI (CZEA)		Gasolina	FWD	1395	110	150	11.14-03.24	■	
1.4 TSI 4motion (CZEA)		Gasolina	4WD	1395	110	150	02.15-11.18	■	
1.8 TSI (CJSA)		Gasolina	FWD	1798	132	180	02.15-07.19	■	
1.8 TSI (CJSC)		Gasolina	FWD	1798	132	180	02.15-07.19	■	
2.0 TSI (CHHB)		Gasolina	FWD	1984	162	220	08.14-03.24	■	
2.0 TSI (CXDA)		Gasolina	FWD	1984	162	220	08.14-03.24	■	
2.0 TSI 4motion (CJXA)		Gasolina	4WD	1984	206	280	05.15-03.24	■	
1.6 TDI (DCXA)		Diesel	FWD	1598	88	120	08.14-11.20	■	
1.6 TDI (DCZA)		Diesel	FWD	1598	88	120	08.14-11.20	■	
2.0 TDI (CRLB)		Diesel	FWD	1968	110	150	11.14-03.24	■	
2.0 TDI (DBGA)		Diesel	FWD	1968	110	150	11.14-03.24	■	
2.0 TDI (DFGA)		Diesel	FWD	1968	110	150	11.14-03.24	■	
2.0 TDI (DSRA)		Diesel	FWD	1968	110	150	11.14-03.24	■	
2.0 TDI (DSRB)		Diesel	FWD	1968	110	150	11.14-03.24	■	
2.0 TDI 4motion (CRLB)		Diesel	4WD	1968	110	150	08.14-03.24	■	
2.0 TDI 4motion (DFEA)		Diesel	4WD	1968	110	150	08.14-03.24	■	
2.0 TDI 4motion (DFGA)		Diesel	4WD	1968	110	150	08.14-03.24	■	
2.0 TDI (CUPA)		Diesel	FWD	1968	135	184	07.15-05.16	■	
2.0 TDI (DDAA)		Diesel	FWD	1968	140	190	11.14-03.24	■	
2.0 TDI (DFCA)		Diesel	FWD	1968	140	190	11.14-03.24	■	
2.0 TDI (DFHA)		Diesel	FWD	1968	140	190	11.14-03.24	■	
2.0 TDI 4motion (DDAA)		Diesel	4WD	1968	140	190	11.14-03.24	■	
2.0 TDI 4motion (DFCA)		Diesel	4WD	1968	140	190	11.14-03.24	■	
2.0 TDI 4motion (DFHA)		Diesel	4WD	1968	140	190	11.14-03.24	■	
2.0 TDI 4motion (CUAA)		Diesel	4WD	1968	176	240	08.14-11.20	■	
POLO V (6R1, 6C1) 03.09-					Hatchback (Supermini car-B Segment)				
1.8 GTI 230 (DAJA)		Gasolina	FWD	1798	169	230	04.16-10.17	■	
POLO VI (AW1, BZ1, AE1) 06.17-					Hatchback (Supermini car-B Segment)				
2.0 GTI (CZPC)		Gasolina	FWD	1984	147	200	11.17-	■	

LISTA DE APLICACIONES - BUYERS GUIDE

2.0 GTI (DKZC)		Gasolina	FWD	1984	147	200	11.17-	■	
GTI		Gasolina	FWD	1984	152	207	04.21-	■	
SHARAN II (7N1, 7N2) 05.10-							Box Body/MPV (Large MPV-M1 Segment)		
2.0 TSI		Gasolina	FWD	1984	147	200	12.10-11.15	■	
2.0 TDI		Diesel	FWD	1968	85	116	05.11-11.15	■	
2.0 TDI		Diesel	FWD	1968	100	136	05.10-05.11	■	
2.0 TDI		Diesel	FWD	1968	103	140	05.10-11.15	■	
2.0 TDI		Diesel	FWD	1968	125	170	08.10-01.13	■	
SHARAN II (7N1, 7N2) 05.10-							MPV (Large MPV-M1 Segment)		
1.4 TSI (CZDA)		Gasolina	FWD	1395	110	150	05.15-11.22	■	
1.4 TSI (DJKA)		Gasolina	FWD	1395	110	150	05.15-11.22	■	
2.0 TFSI (CCZA)		Gasolina	FWD	1984	147	200	12.10-11.15	■	
2.0 TSI (DEDA)		Gasolina	FWD	1984	162	220	05.15-12.20	■	
2.0 TDI (CFFE)		Diesel	FWD	1968	85	115	05.11-07.19	■	
2.0 TDI (CUVA)		Diesel	FWD	1968	85	115	05.11-07.19	■	
2.0 TDI (DFLD)		Diesel	FWD	1968	85	115	05.11-07.19	■	
2.0 TDI (DLTC)		Diesel	FWD	1968	85	115	05.11-07.19	■	
2.0 TDI (CUVC)		Diesel	FWD	1968	110	150	05.15-10.20	■	
2.0 TDI (DFLA)		Diesel	FWD	1968	110	150	05.15-10.20	■	
2.0 TDI (DLTA)		Diesel	FWD	1968	110	150	05.15-10.20	■	
2.0 TDI 4motion (CUVC)		Diesel	4WD	1968	110	150	05.15-07.19	■	
2.0 TDI 4motion (DFLA)		Diesel	4WD	1968	110	150	05.15-07.19	■	
2.0 TDI 4motion (DLTA)		Diesel	4WD	1968	110	150	05.15-07.19	■	
2.0 TDI (CFGC)		Diesel	FWD	1968	130	177	01.13-06.22	■	
2.0 TDI (DLUB)		Diesel	FWD	1968	130	177	01.13-06.22	■	
2.0 TDI 4motion (DLUB)		Diesel	4WD	1968	130	177	07.18-10.20	■	
2.0 TDI (CUWA)		Diesel	FWD	1968	135	184	05.15-07.18	■	
2.0 TDI (DFMA)		Diesel	FWD	1968	135	184	05.15-07.18	■	
2.0 TDI 4motion (DFMA)		Diesel	4WD	1968	135	184	05.16-07.18	■	