

# LISTA DE APLICACIONES - BUYERS GUIDE

## LM1779

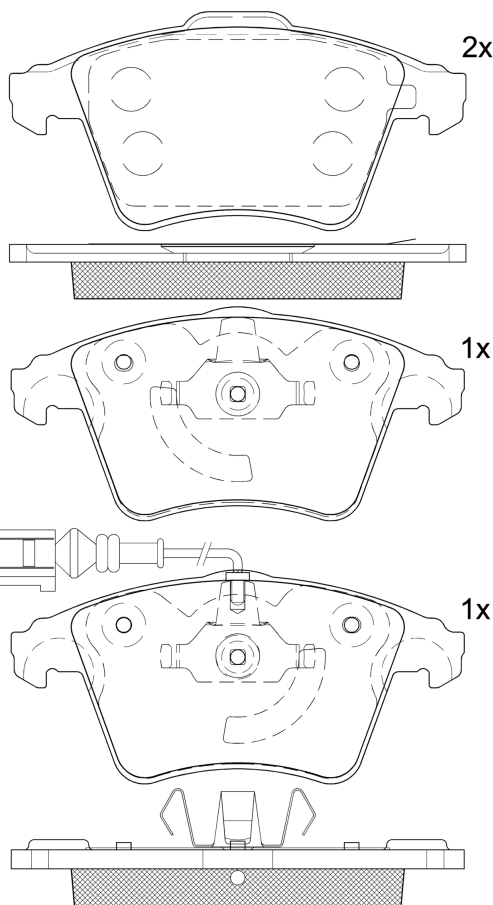


8 424073 207135

Qty: 517

Weight: 2.280

O.E.M.	MAKE
7H0 698 151	VW
7H0 698 151 D	VW
7H0 698 151 F	VW
86 60 000 756	RENAULT
86 60 004 528	RENAULT
JZW 698 151 Q	VW



## LM1779

**E 9** 90R-02A1663/1141



Ate - Teves

155.1x73.3x19.8
156.3x74.95x19.8

WVA	FMSI
23467	D1174-8287
23468	
23469	
23746	
23747	
MAKE	
TALBOT	
VW	



Trac.	CC	Kw	CV
-------	----	----	----



Front / Rear

### TALBOT

#### EXPRESS 1000 -1500 07.82-10.94

#### Bus (Minibus-M2-Segment)

1.8 (XM7T)	Gasolina	FWD	1796	51	69	07.83-10.90	■
------------	----------	-----	------	----	----	-------------	---

### VW

#### CALIFORNIA T5 (7EC, 7EF, 7EG, 7HF, 7HC) 04.03-04.16

#### Bus (LCVs-N1 Segment)

2.0 TSI	Gasolina	FWD	1984	110	150	07.12-08.15	■
2.0 TSI	Gasolina	FWD	1984	150	204	05.11-08.15	■
2.0 TSI 4motion	Gasolina	4WD	1984	150	204	07.11-08.15	■
1.9 TDI	Diesel	FWD	1896	63	85	05.07-11.09	■
1.9 TDI	Diesel	FWD	1896	75	102	05.07-11.09	■
1.9 TDI	Diesel	FWD	1896	77	105	05.07-11.09	■
2.0 TDI	Diesel	FWD	1968	62	84	09.09-08.15	■
2.0 TDI	Diesel	FWD	1968	75	102	09.09-08.15	■
2.0 TDI	Diesel	FWD	1968	84	114	05.11-08.15	■
2.0 TDI	Diesel	FWD	1968	100	136	05.10-08.15	■
2.0 TDI 4motion	Diesel	4WD	1968	100	136	05.10-08.15	■
2.0 TDI	Diesel	FWD	1968	103	140	09.09-08.15	■
2.0 TDI 4motion	Diesel	4WD	1968	103	140	10.09-08.15	■
2.0 TDI	Diesel	FWD	1968	132	180	09.09-08.15	■
2.0 TDI 4motion	Diesel	4WD	1968	132	180	01.10-08.15	■
2.5 TDI	Diesel	FWD	2461	96	130	05.07-11.09	■
2.5 TDI 4motion	Diesel	4WD	2461	96	130	05.07-11.09	■
2.5 TDI	Diesel	FWD	2461	120	163	05.07-11.09	■
2.5 TDI	Diesel	FWD	2461	128	174	05.07-11.09	■
2.5 TDI 4motion	Diesel	4WD	2461	128	174	05.07-11.09	■

# LISTA DE APLICACIONES - BUYERS GUIDE

<b>CALIFORNIA T6 (SGC, SGG, SHC) 04.15-</b>					<b>Bus (LCVs-N1 Segment)</b>			
2.0 TSI		Gasolina	FWD	1984	110	150	04.15-07.19	■
2.0 TSI		Gasolina	FWD	1984	150	204	04.15-07.19	■
2.0 TSI 4motion		Gasolina	4WD	1984	150	204	06.15-07.19	■
2.0 TDI		Diesel	FWD	1968	62	84	04.15-07.19	■
2.0 TDI		Diesel	FWD	1968	75	102	04.15-12.19	■
2.0 TDI		Diesel	FWD	1968	84	114	05.16-08.19	■
2.0 TDI		Diesel	FWD	1968	103	140	04.15-12.19	■
2.0 TDI 4motion		Diesel	4WD	1968	103	140	06.15-12.19	■
2.0 TDI		Diesel	FWD	1968	110	150	04.15-08.24	■
2.0 TDI 4motion		Diesel	4WD	1968	110	150	08.15-08.24	■
2.0 TDI		Diesel	FWD	1968	132	180	04.15-12.19	■
2.0 TDI 4motion		Diesel	4WD	1968	132	180	06.15-12.19	■
2.0 TDI		Diesel	FWD	1968	146	199	08.18-08.24	■
2.0 TDI 4motion		Diesel	4WD	1968	146	199	08.18-08.24	■
2.0 TDI		Diesel	FWD	1968	150	204	06.15-08.24	■
2.0 TDI 4motion		Diesel	4WD	1968	150	204	06.15-08.24	■
<b>MULTIVAN V (7HM, 7HN, 7HF, 7EF, 7EM, 7EN) 04.03-03.16</b>					<b>Bus (Minibus-M2-Segment)</b>			
2.0 (AXA)		Gasolina	FWD	1984	85	115	11.03-08.15	■
2.0 TSI (CJKB)		Gasolina	FWD	1984	110	150	07.12-08.15	■
2.0 TSI (CJKA)		Gasolina	FWD	1984	150	204	05.11-08.15	■
2.0 TSI 4motion (CJKA)		Gasolina	4WD	1984	150	204	07.11-08.15	■
VR6 3.2 (BDL)		Gasolina	FWD	3189	170	231	02.04-06.04	■
VR6 3.2 (BKK)		Gasolina	FWD	3189	173	235	02.04-12.09	■
VR6 3.2 (CFLA)		Gasolina	FWD	3189	173	235	02.04-12.09	■
VR6 3.2 4motion (BKK)		Gasolina	4WD	3189	173	235	07.04-12.09	■
VR6 3.2 4motion (CFLA)		Gasolina	4WD	3189	173	235	07.04-12.09	■
1.9 TDI (BRR)		Diesel	FWD	1896	62	84	01.06-11.09	■
1.9 TDI (AXC)		Diesel	FWD	1896	63	85	04.03-11.09	■
1.9 TDI (BRS)		Diesel	FWD	1896	75	102	01.06-11.09	■
1.9 TDI (AXB)		Diesel	FWD	1896	77	105	04.03-11.09	■
2.0 TDI (CAAA)		Diesel	FWD	1968	62	84	09.09-08.15	■
2.0 TDI (CAAB)		Diesel	FWD	1968	75	102	09.09-08.15	■
2.0 TDI (CAAD)		Diesel	FWD	1968	84	114	05.11-08.15	■
2.0 TDI (CAAE)		Diesel	FWD	1968	100	136	05.10-08.15	■
2.0 TDI (CCHB)		Diesel	FWD	1968	100	136	05.10-08.15	■
2.0 TDI 4motion (CAAE)		Diesel	4WD	1968	100	136	05.10-08.15	■
2.0 TDI 4motion (CCHB)		Diesel	4WD	1968	100	136	05.10-08.15	■
2.0 TDI (CAAC)		Diesel	FWD	1968	103	140	09.09-08.15	■
2.0 TDI (CCHA)		Diesel	FWD	1968	103	140	09.09-08.15	■
2.0 TDI 4motion (CAAC)		Diesel	4WD	1968	103	140	09.09-08.15	■
2.0 TDI 4motion (CCHA)		Diesel	4WD	1968	103	140	09.09-08.15	■
2.0 BiTDI (CFCA)		Diesel	FWD	1968	132	180	09.09-08.15	■
2.0 BiTDI 4motion (CFCA)		Diesel	4WD	1968	132	180	09.09-08.15	■
2.5 TDI (AXD)		Diesel	FWD	2461	96	130	04.03-11.09	■
2.5 TDI (BNZ)		Diesel	FWD	2461	96	130	04.03-11.09	■
2.5 TDI 4motion (AXD)		Diesel	4WD	2461	96	130	07.04-11.09	■
2.5 TDI 4motion (BNZ)		Diesel	4WD	2461	96	130	07.04-11.09	■
2.5 TDI (BLJ)		Diesel	FWD	2461	120	163	11.03-11.09	■
2.5 TDI (AXE)		Diesel	FWD	2461	128	174	04.03-11.09	■
2.5 TDI (BPC)		Diesel	FWD	2461	128	174	04.03-11.09	■

# LISTA DE APLICACIONES - BUYERS GUIDE

2.5 TDI 4motion (AXE)		Diesel	4WD	2461	128	174	07.04-11.09	■	
2.5 TDI 4motion (BPC)		Diesel	4WD	2461	128	174	07.04-11.09	■	
<b>MULTIVAN VI (SGF, SGM, SGN, SHM, SHN) 04.15-</b>					<b>Bus (Minibus-M2-Segment)</b>				
2.0 TSI (CJKB)		Gasolina	FWD	1984	110	150	04.15-07.19	■	
2.0 TSI (CJKA)		Gasolina	FWD	1984	150	204	04.15-07.19	■	
2.0 TSI 4motion (CJKA)		Gasolina	4WD	1984	150	204	06.15-07.19	■	
2.0 TDI (CXGA)		Diesel	FWD	1968	62	84	04.15-07.19	■	
2.0 TDI (CAAB)		Diesel	FWD	1968	75	102	04.15-12.19	■	
2.0 TDI (CXGB)		Diesel	FWD	1968	75	102	04.15-12.19	■	
2.0 TDI (CXHB)		Diesel	FWD	1968	84	114	05.16-08.19	■	
2.0 TDI (CAAC)		Diesel	FWD	1968	103	140	04.15-12.19	■	
2.0 TDI 4motion (CAAC)		Diesel	4WD	1968	103	140	06.15-12.19	■	
2.0 TDI (CXFA)		Diesel	FWD	1968	110	150	04.15-08.24	■	
2.0 TDI (CXHA)		Diesel	FWD	1968	110	150	04.15-08.24	■	
2.0 TDI 4motion (CXFA)		Diesel	4WD	1968	110	150	08.15-08.24	■	
2.0 TDI 4motion (CXHA)		Diesel	4WD	1968	110	150	08.15-08.24	■	
2.0 TDI (CFCA)		Diesel	FWD	1968	132	180	04.15-12.19	■	
2.0 TDI 4motion (CFCA)		Diesel	4WD	1968	132	180	06.15-12.19	■	
2.0 TDI (CXEC)		Diesel	FWD	1968	146	199	08.18-08.24	■	
2.0 TDI 4motion (CXEC)		Diesel	4WD	1968	146	199	08.18-08.24	■	
2.0 TDI (CXEB)		Diesel	FWD	1968	150	204	06.15-08.24	■	
2.0 TDI 4motion (CXEB)		Diesel	4WD	1968	150	204	06.15-08.24	■	
<b>TRANSPORTER T4 / EUROVAN (70E, 70L, 70M, 7DE, 7DL, 7DM) 07.90-04.03</b>					<b>Platform/Chassis (LCVs-N1 Segment)</b>				
1.9 TD (ABL)		Diesel	FWD	1896	50	68	10.92-04.03	■	
<b>TRANSPORTER T5 (7JD, 7JE, 7JL, 7JY, 7JZ, 7FD, 7FE, 7FL, 7FY, 7FZ) 04.03-03.16</b>					<b>Platform/Chassis (LCVs-N1 Segment)</b>				
2.0 (AXA)		Gasolina	FWD	1984	85	115	11.03-05.13	■	
2.0 TSI (CJKB)		Gasolina	FWD	1984	110	150	07.12-08.15	■	
VR6 3.2 (BDL)		Gasolina	FWD	3189	170	231	02.04-11.09	■	
VR6 3.2 4motion (BDL)		Gasolina	4WD	3189	170	231	11.03-11.09	■	
VR6 3.2 (BKK)		Gasolina	FWD	3189	173	235	08.03-11.09	■	
VR6 3.2 4motion		Gasolina	4WD	3189	173	235	11.03-11.09	■	
2.0 CNG (AXA)		Gasol./Gas (CNG)	FWD	1984	85	115	11.03-05.11	■	
1.9 TDI (BRR)		Diesel	FWD	1896	62	84	01.06-11.09	■	
1.9 TDI (AXC)		Diesel	FWD	1896	63	85	04.03-11.09	■	
1.9 TDI (BRS)		Diesel	FWD	1896	75	102	01.06-11.09	■	
1.9 TDI (AXB)		Diesel	FWD	1896	77	105	04.03-11.09	■	
2.0 TDI (CAAA)		Diesel	FWD	1968	62	84	09.09-08.15	■	
2.0 TDI (CAAB)		Diesel	FWD	1968	75	102	09.09-08.15	■	
2.0 TDI (CAAD)		Diesel	FWD	1968	84	114	05.11-08.15	■	
2.0 TDI (CAAE)		Diesel	FWD	1968	100	136	05.10-08.15	■	
2.0 TDI 4motion (CAAE)		Diesel	4WD	1968	100	136	05.10-08.15	■	
2.0 TDI 4motion (CCHB)		Diesel	4WD	1968	100	136	05.10-08.15	■	
2.0 TDI (CAAC)		Diesel	FWD	1968	103	140	09.09-08.15	■	
2.0 TDI (CCHA)		Diesel	FWD	1968	103	140	09.09-08.15	■	
2.0 TDI 4motion (CAAC)		Diesel	4WD	1968	103	140	09.09-08.15	■	
2.0 TDI 4motion (CCHA)		Diesel	4WD	1968	103	140	09.09-08.15	■	
2.0 BiTDI (CFCA)		Diesel	FWD	1968	132	180	09.09-08.15	■	
2.0 BiTDI 4motion (CFCA)		Diesel	4WD	1968	132	180	09.09-08.15	■	
2.5 TDI (AXD)		Diesel	FWD	2461	96	130	04.03-11.09	■	

# LISTA DE APLICACIONES - BUYERS GUIDE

2.5 TDI (BNZ)		Diesel	FWD	2461	96	130	04.03-11.09	■	
2.5 TDI 4motion (AXD)		Diesel	4WD	2461	96	130	07.04-11.09	■	
2.5 TDI 4motion (BNZ)		Diesel	4WD	2461	96	130	07.04-11.09	■	
2.5 TDI (AXE)		Diesel	FWD	2461	128	174	04.03-11.09	■	
2.5 TDI (BPC)		Diesel	FWD	2461	128	174	04.03-11.09	■	
2.5 TDI 4motion (AXE)		Diesel	4WD	2461	128	174	04.04-11.09	■	
2.5 TDI 4motion (BPC)		Diesel	4WD	2461	128	174	04.04-11.09	■	
<b>TRANSPORTER T5 / EUROVAN / KOMBI-CARAVALLE (7HB, 7HJ, 7EB, 7EJ) 04.03-03.16</b>							<b>Bus (Minibus-M2-Segment)</b>		
2.0 (AXA)		Gasolina	FWD	1984	85	115	11.03-08.15	■	
2.0 TSI (CJKB)		Gasolina	FWD	1984	110	150	07.12-08.15	■	
2.0 TSI (CJKA)		Gasolina	FWD	1984	150	204	05.11-08.15	■	
2.0 TSI 4motion (CJKA)		Gasolina	4WD	1984	150	204	07.11-08.15	■	
VR6 3.2 (BDL)		Gasolina	FWD	3189	170	231	02.04-06.04	■	
VR6 3.2 4motion (BDL)		Gasolina	4WD	3189	170	231	11.03-11.09	■	
3.2 V6 4motion (BKK)		Gasolina	4WD	3189	173	235	11.03-12.09	■	
3.2 V6 4motion (CFLA)		Gasolina	4WD	3189	173	235	11.03-12.09	■	
VR6 3.2 (BKK)		Gasolina	FWD	3189	173	235	02.04-11.09	■	
VR6 3.2 (CFLA)		Gasolina	FWD	3189	173	235	02.04-11.09	■	
2.0 CNG (AXA)		Gasol./Gas (CNG)	FWD	1984	85	115	01.06-08.15	■	
1.9 TDI (BRR)		Diesel	FWD	1896	62	84	01.06-11.09	■	
1.9 TDI (AXC)		Diesel	FWD	1896	63	85	04.03-11.09	■	
1.9 TDI (BRS)		Diesel	FWD	1896	75	102	01.06-11.09	■	
1.9 TDI (AXB)		Diesel	FWD	1896	77	105	04.03-11.09	■	
2.0 TDI (CAAA)		Diesel	FWD	1968	62	84	09.09-08.15	■	
2.0 TDI (CAAB)		Diesel	FWD	1968	75	102	09.09-08.15	■	
2.0 TDI (CAAD)		Diesel	FWD	1968	84	114	05.11-08.15	■	
2.0 TDI (CSDA)		Diesel	FWD	1968	85	116	05.11-08.15	■	
2.0 TDI (CAAE)		Diesel	FWD	1968	100	136	05.10-08.15	■	
2.0 TDI (CCHB)		Diesel	FWD	1968	100	136	05.10-08.15	■	
2.0 TDI 4motion (CAAE)		Diesel	4WD	1968	100	136	05.10-08.15	■	
2.0 TDI 4motion (CCHB)		Diesel	4WD	1968	100	136	05.10-08.15	■	
2.0 TDI (CAAC)		Diesel	FWD	1968	103	140	09.09-08.15	■	
2.0 TDI (CCHA)		Diesel	FWD	1968	103	140	09.09-08.15	■	
2.0 TDI 4motion (CAAC)		Diesel	4WD	1968	103	140	09.09-08.15	■	
2.0 TDI 4motion (CCHA)		Diesel	4WD	1968	103	140	09.09-08.15	■	
2.0 BiTDI (CFCA)		Diesel	FWD	1968	132	180	09.09-08.15	■	
2.0 BiTDI 4motion (CFCA)		Diesel	4WD	1968	132	180	09.09-08.15	■	
2.5 TDI (AXD)		Diesel	FWD	2461	96	130	04.03-11.09	■	
2.5 TDI (AXE)		Diesel	FWD	2461	96	130	04.03-11.09	■	
2.5 TDI (BNZ)		Diesel	FWD	2461	96	130	04.03-11.09	■	
2.5 TDI 4motion (AXD)		Diesel	4WD	2461	96	130	07.04-11.09	■	
2.5 TDI 4motion (BNZ)		Diesel	4WD	2461	96	130	07.04-11.09	■	
2.5 TDI (BLJ)		Diesel	FWD	2461	120	163	11.03-11.09	■	
2.5 TDI (AXE)		Diesel	FWD	2461	128	174	04.03-11.09	■	
2.5 TDI (BPC)		Diesel	FWD	2461	128	174	04.03-11.09	■	
2.5 TDI 4motion (AXE)		Diesel	4WD	2461	128	174	07.04-11.09	■	
2.5 TDI 4motion (BPC)		Diesel	4WD	2461	128	174	07.04-11.09	■	
<b>TRANSPORTER T5 / KOMBI (7HA, 7HH, 7EA, 7EH) 04.03-08.15</b>							<b>Van (LCVs-N1 Segment)</b>		
2.0 (AXA)		Gasolina	FWD	1984	85	115	11.03-08.15	■	
2.0 TSI (CJKB)		Gasolina	FWD	1984	110	150	07.12-08.15	■	

# LISTA DE APLICACIONES - BUYERS GUIDE

2.0 TSI (CJKA)	Gasolina	FWD	1984	150	204	05.11-08.15	■
2.0 TSI 4motion (CJKA)	Gasolina	4WD	1984	150	204	07.11-08.15	■
VR6 3.2 (BDL)	Gasolina	FWD	3189	170	231	04.03-06.05	■
VR6 3.2 4motion	Gasolina	4WD	3189	170	231	04.03-06.05	■
VR6 3.2 (BKK)	Gasolina	FWD	3189	173	235	02.04-11.09	■
VR6 3.2 (CFLA)	Gasolina	FWD	3189	173	235	02.04-11.09	■
VR6 3.2 4motion (BKK)	Gasolina	4WD	3189	173	235	11.03-11.09	■
VR6 3.2 4motion (CFLA)	Gasolina	4WD	3189	173	235	11.03-11.09	■
2.0 BiFuel (AXA)	Gasol./Gas (CNG)	FWD	1984	85	115	06.07-08.15	■
1.9 TDI (BRR)	Diesel	FWD	1896	62	84	01.06-11.09	■
1.9 TDI (AXC)	Diesel	FWD	1896	63	85	04.03-11.09	■
1.9 TDI (BRS)	Diesel	FWD	1896	75	102	01.06-11.09	■
1.9 TDI (AXB)	Diesel	FWD	1896	77	105	04.03-11.09	■
2.0 TDI (CAAA)	Diesel	FWD	1968	62	84	09.09-08.15	■
2.0 TDI (CAAB)	Diesel	FWD	1968	75	102	09.09-08.15	■
2.0 TDI (CAAD)	Diesel	FWD	1968	84	114	05.11-08.15	■
2.0 TDI (CAAE)	Diesel	FWD	1968	100	136	05.10-08.15	■
2.0 TDI (CCHB)	Diesel	FWD	1968	100	136	05.10-08.15	■
2.0 TDI 4motion (CAAE)	Diesel	4WD	1968	100	136	05.10-08.15	■
2.0 TDI 4motion (CCHB)	Diesel	4WD	1968	100	136	05.10-08.15	■
2.0 TDI (CAAC)	Diesel	FWD	1968	103	140	09.09-08.15	■
2.0 TDI (CCHA)	Diesel	FWD	1968	103	140	09.09-08.15	■
2.0 TDI 4motion (CAAC)	Diesel	4WD	1968	103	140	09.09-08.15	■
2.0 TDI 4motion (CCHA)	Diesel	4WD	1968	103	140	09.09-08.15	■
2.0 BiTDI (CFCA)	Diesel	FWD	1968	132	180	09.09-08.15	■
2.0 BiTDI 4motion (CFCA)	Diesel	4WD	1968	132	180	09.09-08.15	■
2.5 TDI (AXD)	Diesel	FWD	2461	96	130	04.03-11.09	■
2.5 TDI (BNZ)	Diesel	FWD	2461	96	130	04.03-11.09	■
2.5 TDI 4motion (AXD)	Diesel	4WD	2461	96	130	07.04-11.09	■
2.5 TDI 4motion (BNZ)	Diesel	4WD	2461	96	130	07.04-11.09	■
2.5 TDI (AXE)	Diesel	FWD	2461	128	174	04.03-11.09	■
2.5 TDI (BPC)	Diesel	FWD	2461	128	174	04.03-11.09	■
2.5 TDI 4motion (AXE)	Diesel	4WD	2461	128	174	07.04-11.09	■
2.5 TDI 4motion (BPC)	Diesel	4WD	2461	128	174	07.04-11.09	■
<b>TRANSPORTER T6 (SFD, SFE, SFL, SFZ, SJD, SJE, SJL, SJZ) 04.15-</b>					<b>Platform/Chassis (LCVs-N1 Segment)</b>		
2.0 TSI (CJKB)	Gasolina	FWD	1984	110	150	04.15-06.19	■
2.0 TDI (CAAA)	Diesel	FWD	1968	62	84	04.15-11.19	■
2.0 TDI (CXGA)	Diesel	FWD	1968	62	84	04.15-11.19	■
2.0 TDI (CAAB)	Diesel	FWD	1968	75	102	04.15-11.19	■
2.0 TDI (CXGB)	Diesel	FWD	1968	75	102	04.15-11.19	■
2.0 TDI (CXHB)	Diesel	FWD	1968	84	114	05.16-11.19	■
2.0 TDI (CAAC)	Diesel	FWD	1968	103	140	04.15-11.19	■
2.0 TDI 4motion (CAAC)	Diesel	4WD	1968	103	140	06.15-11.19	■
2.0 TDI (CXHA)	Diesel	FWD	1968	110	150	08.15-08.24	■
2.0 TDI 4motion (CXHA)	Diesel	4WD	1968	110	150	05.16-08.24	■
2.0 TDI (CFCA)	Diesel	FWD	1968	132	180	04.15-11.19	■
2.0 TDI 4motion (CFCA)	Diesel	4WD	1968	132	180	06.15-11.19	■
2.0 TDI (CXEB)	Diesel	FWD	1968	150	204	05.16-08.24	■
2.0 TDI 4motion (CXEB)	Diesel	4WD	1968	150	204	05.16-08.24	■

# LISTA DE APLICACIONES - BUYERS GUIDE

<b>TRANSPORTER T6 (SGA, SGH, SHA, SHH) 04.15-</b>					<b>Van (LCVs-N1 Segment)</b>			
2.0 TSI (CJKB)		Gasolina	FWD	1984	110	150	04.15-07.19	■
2.0 TSI (CJKA)		Gasolina	FWD	1984	150	204	04.15-07.19	■
2.0 TSI 4motion (CJKA)		Gasolina	4WD	1984	150	204	06.15-07.19	■
2.0 TDI (CAAA)		Diesel	FWD	1968	62	84	04.15-07.19	■
2.0 TDI (CXGA)		Diesel	FWD	1968	62	84	04.15-07.19	■
2.0 TDI (CAAB)		Diesel	FWD	1968	75	102	04.15-12.19	■
2.0 TDI (CXGB)		Diesel	FWD	1968	75	102	04.15-12.19	■
2.0 TDI (CXHB)		Diesel	FWD	1968	84	114	05.16-08.19	■
2.0 TDI (CAAC)		Diesel	FWD	1968	103	140	04.15-12.19	■
2.0 TDI 4motion (CAAC)		Diesel	4WD	1968	103	140	06.15-12.19	■
2.0 TDI (CXFA)		Diesel	FWD	1968	110	150	04.15-08.24	■
2.0 TDI (CXHA)		Diesel	FWD	1968	110	150	04.15-08.24	■
2.0 TDI 4motion (CXFA)		Diesel	4WD	1968	110	150	08.15-08.24	■
2.0 TDI 4motion (CXHA)		Diesel	4WD	1968	110	150	08.15-08.24	■
2.0 TDI (CFCA)		Diesel	FWD	1968	132	180	04.15-12.19	■
2.0 TDI 4motion (CFCA)		Diesel	4WD	1968	132	180	06.15-12.19	■
2.0 TDI 4motion (CXEC)		Diesel	4WD	1968	146	199	08.18-08.24	■
2.0 TDI (CXEB)		Diesel	FWD	1968	150	204	06.15-08.24	■
2.0 TDI 4motion (CXEB)		Diesel	4WD	1968	150	204	06.15-08.24	■
<b>TRANSPORTER T6 / CALIFORNIA / CARAVELLE (SGB, SGJ, SHB, SHJ) 04.15-</b>					<b>Bus (Minibus-M2-Segment)</b>			
2.0 TSI (CJKB)		Gasolina	FWD	1984	110	150	04.15-07.19	■
2.0 TSI (CJKA)		Gasolina	FWD	1984	150	204	04.15-07.19	■
2.0 TSI 4motion (CJKA)		Gasolina	4WD	1984	150	204	06.15-07.19	■
2.0 TDI (CAAA)		Diesel	FWD	1968	62	84	04.15-07.19	■
2.0 TDI (CXGA)		Diesel	FWD	1968	62	84	04.15-07.19	■
2.0 TDI (CAAB)		Diesel	FWD	1968	75	102	04.15-12.19	■
2.0 TDI (CXGB)		Diesel	FWD	1968	75	102	04.15-12.19	■
2.0 TDI (CXHB)		Diesel	FWD	1968	84	114	05.16-08.19	■
2.0 TDI (CAAC)		Diesel	FWD	1968	103	140	04.15-12.19	■
2.0 TDI 4motion (CAAC)		Diesel	4WD	1968	103	140	06.15-12.19	■
2.0 TDI (CXFA)		Diesel	FWD	1968	110	150	04.15-08.24	■
2.0 TDI (CXHA)		Diesel	FWD	1968	110	150	04.15-08.24	■
2.0 TDI 4motion (CXFA)		Diesel	4WD	1968	110	150	08.15-08.24	■
2.0 TDI 4motion (CXHA)		Diesel	4WD	1968	110	150	08.15-08.24	■
2.0 TDI (CFCA)		Diesel	FWD	1968	132	180	04.15-12.19	■
2.0 TDI 4motion (CFCA)		Diesel	4WD	1968	132	180	06.15-12.19	■
2.0 TDI (CXEC)		Diesel	FWD	1968	146	199	08.18-08.24	■
2.0 TDI 4motion (CXEC)		Diesel	4WD	1968	146	199	08.18-08.24	■
2.0 TDI (CXEB)		Diesel	FWD	1968	150	204	06.15-08.24	■
2.0 TDI 4motion (CXEB)		Diesel	4WD	1968	150	204	06.15-08.24	■